

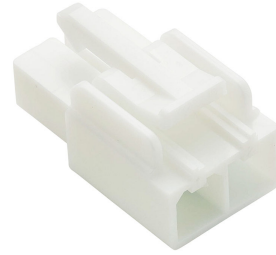
产品编号 : [351510214](#)

Product Description : VersaBlade Hybrid Plug Housing, 2 Circuits, Positive Lock, Blue

系列号 : 35151

状态 : Active

Product Category : Connector Housings



文件和资源

图纸

[图纸 351510214_sd.pdf](#)

3D 模型和设计文件

[3D模型 351510214_stp.zip](#)

规格

[应用规格 351500000AS_ENG-000.pdf](#)

[应用规格 351500000AS_KOR-000.pdf](#)

[包装规格 351810200-100.pdf](#)

[包装规格 PK-35151-003-001.pdf](#)


[产品规格 PS-35150-003-001.pdf](#)

[产品规格 PS-35150-001-001.pdf](#)

[产品规格 PS-35182-003-001.pdf](#)

产物环境合规

合规

GADSL/IMDS	Not Relevant
China RoHS	
EU ELV	Not Relevant
Low-Halogen Status	Not Low-Halogen per IEC 61249-2-21
REACH SVHC	Not Contained per D(2023)3788-DC (14 Jun 2023)
EU RoHS	Compliant per EU 2015/863

多部分产品合规性声明

- Eu RoHS

- REACH SVHC

- Low-Halogen

多部分行业合规性文件

- IPC 1752A Class C

- IPC 1752A Class D

- Molex Product Compliance Declaration

- IEC-62474

- chemSHERPA (xml)

欧盟 RoHS 合格证书

产品详情

常规

状态	活动
类别	Connector Housings
系列	35151
说明	VersaBlade Hybrid Plug Housing, 2 Circuits, Positive Lock, Blue
应用	Power, Wire-to-Wire
产品系列	VersaBlade Wire-to-Wire Connector System
产品名称	VersaBlade
UPC	800753526822

机构

CSA	LR19980
UL	E29179

物理

电路数（最多）	2
颜色-树脂	蓝色
阻燃性	94V-0
性别	Plug
符合灼热丝规范	否
插接极性	无
锁定插接部位	是
材料 - 树脂	PBT
净重	1. 826/g

行数	1
包装形式	Bag
面板安装式	否
间距 - 插配接口	6.20mm
间距 - 终端界面	6.20mm
有极性的插配件	是
可堆叠的	否
运行温度范围	-40° to +120° C

进程

无铅	不适用
----	-----

可配插/可连接使用的产品

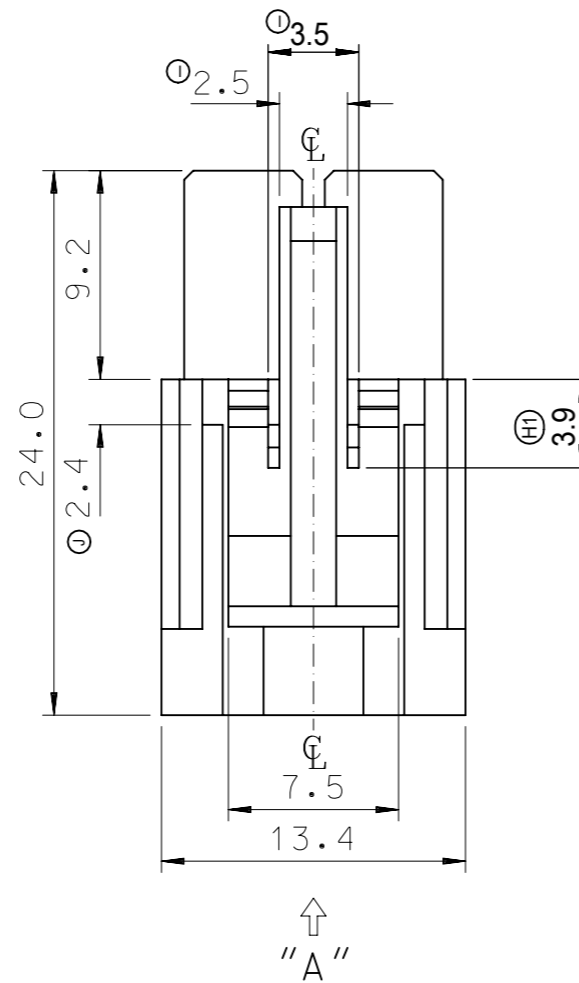
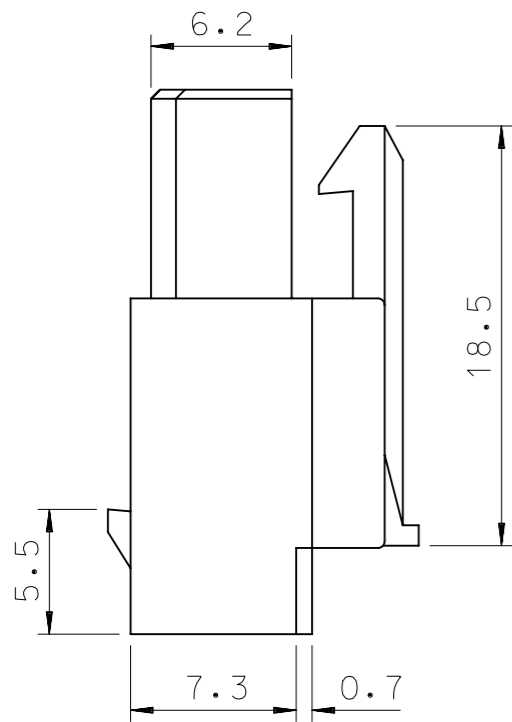
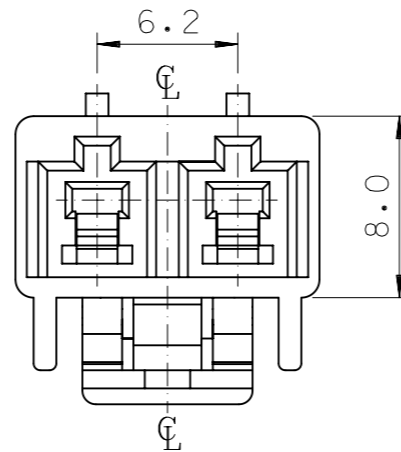
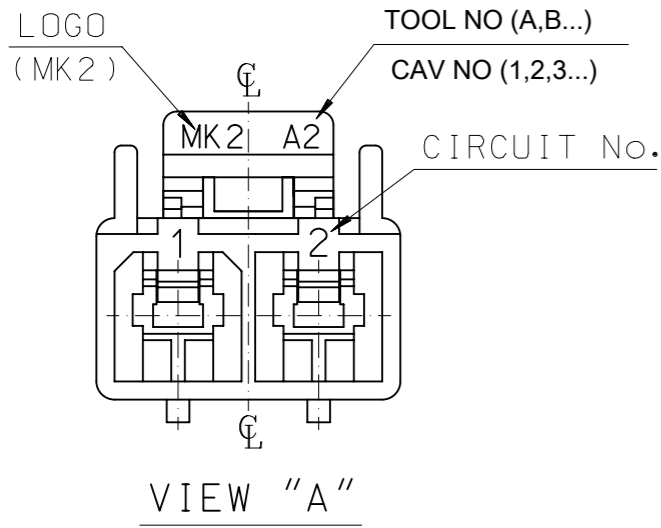
可配插部件

描述	产品编号
VersaBlade Multi-Module 2-3-4 Hybrid Receptacle Housing, 9 Circuits, Full Flange Panel Mount, Natural, Glow-Wire Capable	<u>2026500909</u>
VersaBlade Hybrid Receptacles Housings and TPAs	<u>35150</u>
VersaBlade Multi-Module 2-3-4 Hybrid Receptacle Housings	<u>35524</u>

可连接使用部件

描述	产品编号
VersaBlade Terminal Position Assurance (TPA) Retainer, 6.20mm Pitch, 2 Circuits, Natural	<u>/content/molex/molex-dot-com/cn/zh/products/product-page.html/351500290.html</u>
VersaBlade Terminal Position Assurance (TPA) Retainer, 6.20mm Pitch, 2 Circuits, Red	<u>/content/molex/molex-dot-com/cn/zh/products/product-page.html/351500292.html</u>
VersaBlade Terminal Position Assurance (TPA) Retainer, 6.20mm Pitch, 2 Circuits, Yellow	<u>/content/molex/molex-dot-com/cn/zh/products/product-page.html/351500293.html</u>
VersaBlade Terminal Position Assurance (TPA) Retainer, 6.20mm Pitch, 2 Circuits, Blue	<u>/content/molex/molex-dot-com/cn/zh/products/product-page.html/351500294.html</u>
VersaBlade Female Crimp Terminals	<u>35746</u>

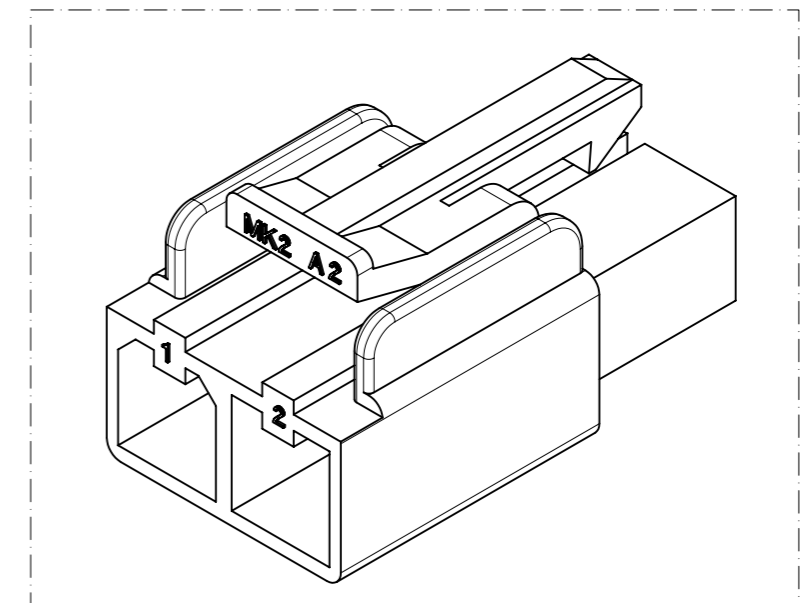
This document was generated on Dec 28, 2023



NOTES.
1. MATERIAL : SEE TABLE

N O	PRODUCT		MATERIAL	
	PART NO	MATERIAL NO	COLOR	DESCRIPTION
1	35151-0210	351510210	NATURAL	PBT UL94V-0
2	35151-0212	351510212	RED	
3	35151-0214	351510214	BLUE	
4	35151-0219	351510219	NATURAL	PC/PET UL94V-0
5	35151-2219	351512219	RED	
6	35151-3219	351513219	YELLOW	
7	35151-4219	351514219	BLUE	

2. MATED HOUSING : 35150-020*, 35150-021*
 3. APPLICABLE TERMINAL : 35746-0*10
 4. APPLICABLE T.P.A : 35150-0290
 5. PRODUCT SPECIFICATION : PS-35150-001



THIS DRAWING CONTAINS INFORMATION THAT IS PROPRIETARY TO MOLEX ELECTRONIC TECHNOLOGIES, LLC AND SHOULD NOT BE USED WITHOUT WRITTEN PERMISSION									
DIMENSION UNITS	SCALE	CURRENT REV DESC: REMOVED OBSOLETE PART NUMBER AS PER PCN#512606.			molex				
mm	3:1								
GENERAL TOLERANCES (UNLESS SPECIFIED)					6.2 PITCH W/W CONN FEMALE HSG-2P				
ANGULAR TOL	± 1.0°				PRODUCT CUSTOMER DRAWING				
4 PLACES	±	EC NO: 764691	DRWN: RAVINR1	2023/09/01	DOCUMENT NUMBER: SD-35151-021X DOC TYPE: PSD DOC PART: 001 REVISION: J1				
3 PLACES	±	CHK'D: GGA	2023/10/13						
2 PLACES	±	APPR: GGA	2023/10/13						
1 PLACE	± 0.3	INITIAL REVISION:							
0 PLACES	±	DRWN: RFC_PLMIMP	2018/12/06						
DRAFT WHERE APPLICABLE MUST REMAIN WITHIN DIMENSIONS		THIRD ANGLE PROJECTION	DRAWING	SERIES	MATERIAL NUMBER	CUSTOMER	SHEET NUMBER		
			A3-SIZE	35151	SEE TABLE	GENERAL MARKET	1 OF 1		