



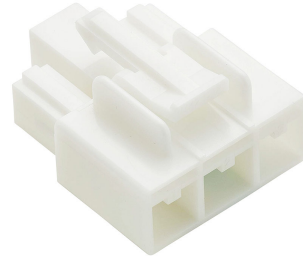
产品编号 : [351510319](#)

Product Description : VersaBlade Hybrid Plug Housing, 3 Circuits, Positive Lock, Natural, Glow-Wire Capable

系列号 : 35151

状态 : Active

Product Category : Connector Housings



文件和资源

图纸

[图纸 351510319_sd.pdf](#)

3D 模型和设计文件

[3D模型 351510319_stp.zip](#)

规格

[应用规格 351500000AS_ENG-000.pdf](#)

[应用规格 351500000AS_KOR-000.pdf](#)

[包装规格 PK-35151-004-001.pdf](#)

[产品规格 PS-35150-001-001.pdf](#)

[产品规格 PS-35150-003-001.pdf](#)

产物环境合规

合规

GADSL/IMDS	Not Relevant
China RoHS	
EU ELV	Not Relevant
Low-Halogen Status	Not Low-Halogen per IEC 61249-2-21
REACH SVHC	Not Contained per D(2023)3788-DC (14 Jun 2023)
EU RoHS	Compliant per EU 2015/863

多部分产品合规性声明

- Eu RoHS
- REACH SVHC
- Low-Halogen

多部分行业合规性文件

- IPC 1752A Class C
- IPC 1752A Class D
- Molex Product Compliance Declaration
- IEC-62474
- chemSHERPA (xml)

欧盟 RoHS 合格证书

产品详情

常规

状态	活动
类别	Connector Housings
系列	35151
说明	VersaBlade Hybrid Plug Housing, 3 Circuits, Positive Lock, Natural, Glow-Wire Capable
应用	Power, Wire-to-Wire
产品系列	VersaBlade Wire-to-Wire Connector System
产品名称	VersaBlade
UPC	756054256985

机构

CSA	LR19980
UL	E29179

物理

断开	否
电路数 (最多)	3
颜色-树脂	Natural
阻燃性	94V-0
性别	Plug
符合灼热丝规范	是
插接极性	无
锁定插接部位	是
材料 - 树脂	PET/PC
净重	2.740/g

行数	1
包装形式	Bag
面板安装式	否
间距 - 插配接口	7.30mm
间距 - 终端界面	7.30mm
有极性的插配件	是
可堆叠的	否
运行温度范围	-40° to +110° C

可配插/可连接使用的产品

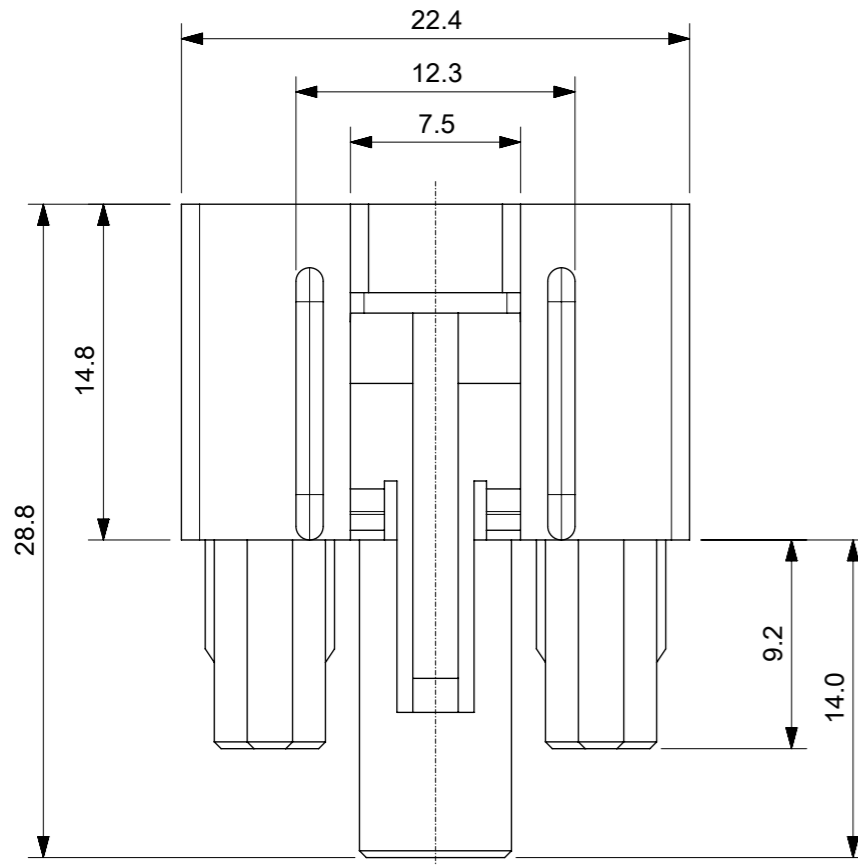
可配插部件

描述	产品编号
VersaBlade Multi-Module 2-3-4 Hybrid Receptacle Housing, 9 Circuits, Full Flange Panel Mount, Natural, Glow-Wire Capable	<u>2026500909</u>
VersaBlade Hybrid Receptacles Housings and TPAs	<u>35150</u>
VersaBlade Multi-Module 2-3-4 Hybrid Receptacle Housings	<u>35524</u>

可连接使用部件

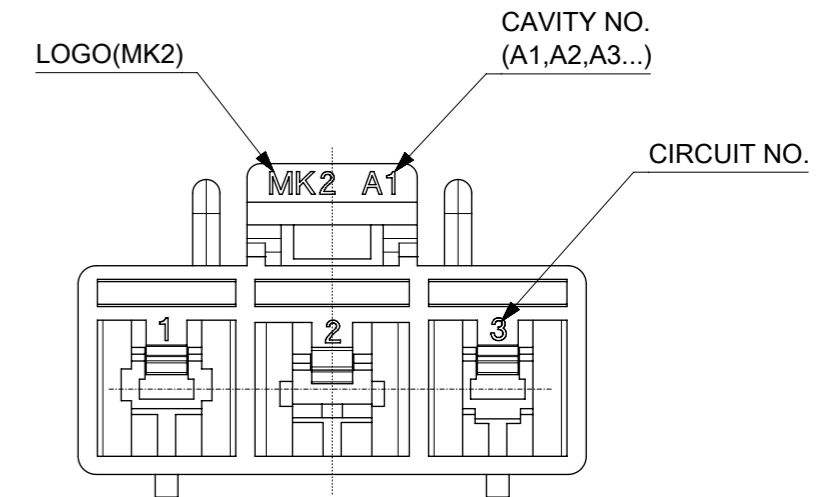
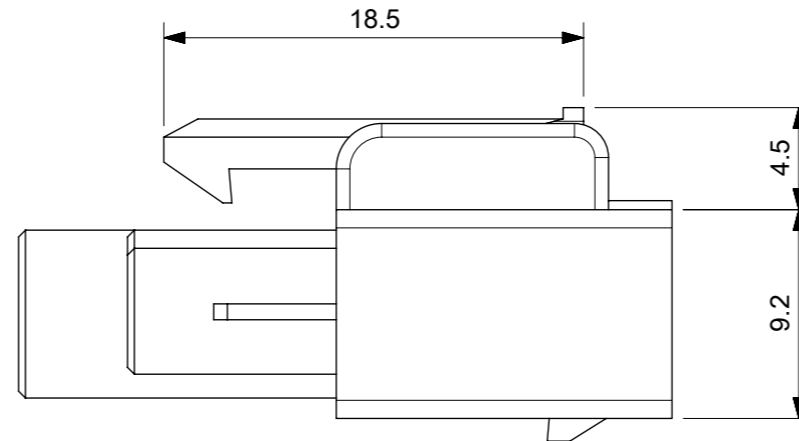
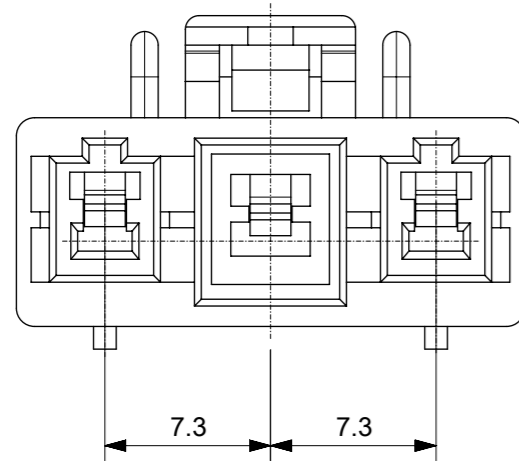
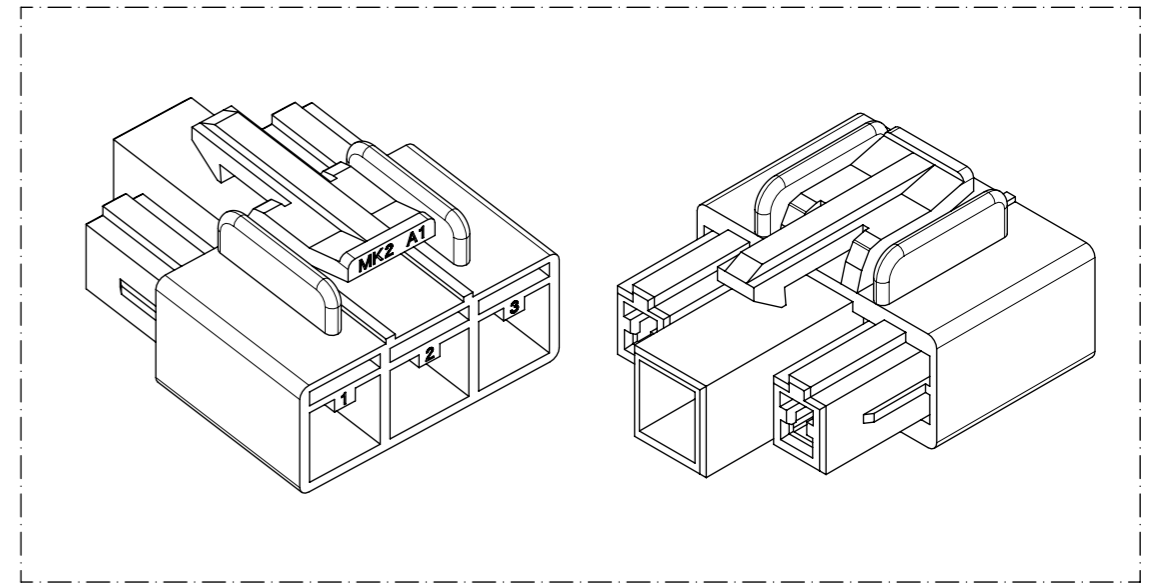
描述	产品编号
VersaBlade Terminal Position Assurance (TPA) Retainer, 7.30mm Pitch, 3 Circuits, Natural	/content/molex/molex-dot-com/cn/zh/products/product-page.html/351500390.html
VersaBlade Terminal Position Assurance (TPA) Retainer, 7.30mm Pitch, 3 Circuits, Red	/content/molex/molex-dot-com/cn/zh/products/product-page.html/351500392.html
VersaBlade Terminal Position Assurance (TPA) Retainer, 7.30mm Pitch, 3 Circuits, Yellow	/content/molex/molex-dot-com/cn/zh/products/product-page.html/351500393.html
VersaBlade Terminal Position Assurance (TPA) Retainer, 7.30mm Pitch, 3 Circuits, Blue	/content/molex/molex-dot-com/cn/zh/products/product-page.html/351500394.html
VersaBlade Male Crimp Terminals	<u>35745</u>
VersaBlade Female Crimp Terminals	<u>35746</u>
VersaBlade Female Crimp Terminals	<u>35748</u>

This document was generated on Jan 30, 2024



NOTE

1. MATERIALS : SEE TABLE
2. MATED HOUSING : 35150-*30*, 35150-*31*
35186-0610, 35524-*92*
3. APPLICABLE TPA : 35150-039*
4. APPLICABLE TERMINAL : 35746-0*10 (1 CIRCUIT)
35745-0*10 (2 CIRCUIT)
35748-0*10 (3 CIRCUIT)
5. PRODUCT SPECIFICATION : PS-35150-001
PS-35150-003
PS-35524-001
6. PACKAGING SPECIFICATION : PK-35151-004



NO.	MATERIAL		PRODUCT	
	DESCRIPTION	COLOR	MATERIAL NO.	PART NO.
1	PET/PC (UL94V-0)	BLUE	351514319	35151-4319
2		YELLOW	351513319	35151-3319
4		NATURAL	351510319	35151-0319
5	PBT (UL94V-0)	BLUE	351510314	35151-0314
6		NATURAL	351510310	35151-0310

THIS DRAWING CONTAINS INFORMATION THAT IS PROPRIETARY TO MOLEX ELECTRONIC TECHNOLOGIES, LLC AND SHOULD NOT BE USED WITHOUT WRITTEN PERMISSION											
DIMENSION UNITS		SCALE		CURRENT REV DESC: OBSOLETE PART NUMBER							
mm		3:1									
GENERAL TOLERANCES (UNLESS SPECIFIED)											
ANGULAR TOL ± 1.0°				7.3 PITCH W/W CONN. FEMALE HOUSING -3P							
4 PLACES ±											
3 PLACES ±				PRODUCT CUSTOMER DRAWING							
2 PLACES ±											
1 PLACE ± 0.3				EC NO: 644856 DRWN: RPRABHUM 2020/06/25 CHK'D: GGA 2020/10/07 APPR: GGA 2020/10/07							
0 PLACES ±											
DRAFT WHERE APPLICABLE MUST REMAIN WITHIN DIMENSIONS				THIRD ANGLE PROJECTION		DRAWING		SERIES		MATERIAL NUMBER	
DOCUMENT STATUS		P1		RELEASE DATE		2020/10/07		13:34:36		SD-35151-031 SEE TABLE	
PSD		001		G		GENERAL MARKET		1 OF 1		SHEET NUMBER 1 OF 1	