



产品编号 : 351510419

系列号 : 35151

Product Category : Connector Housings

Product Description : VersaBlade Hybrid Plug Housing, 4 Circuits, Positive Lock, Natural, Glow-Wire Capable

状态 : Active

文件和资源

图纸

图纸 351510419_sd.pdf

3D 模型和设计文件

3D模型 351510419_stp.zip

规格

应用规格 351500000AS_ENG-000.pdf


应用规格 351500000AS_KOR-000.pdf

包装规格 PK-35151-005-001.pdf

产品规格 PS-35150-003-001.pdf

产物环境合规

合规

GADSL/IMDS	Not Relevant
China RoHS	
EU ELV	Not Relevant
Low-Halogen Status	Not Low-Halogen per IEC 61249-2-21
REACH SVHC	Not Contained per D(2023)8585-DC (23 Jan 2024)
EU RoHS	Compliant per EU 2015/863

多部分产品合规性声明

- Eu RoHS
- REACH SVHC
- Low-Halogen

- IPC 1752A Class C
- IPC 1752A Class D
- Molex Product Compliance Declaration

- IEC-62474

- chemSHERPA (xml)

欧盟 RoHS 合格证书

产品详情

常规

状态	活动
类别	Connector Housings
系列	35151
说明	VersaBlade Hybrid Plug Housing, 4 Circuits, Positive Lock, Natural, Glow-Wire Capable
应用	Power, Wire-to-Wire
产品系列	VersaBlade Wire-to-Wire Connector System
产品名称	VersaBlade
UPC	756054257081

机构

CSA	LR19980
UL	E29179

物理

断开	否
电路数 (最多)	4
颜色-树脂	Natural
阻燃性	94V-0
性别	Plug
符合灼热丝规范	是
插接极性	无
锁定插接部位	是
材料 - 树脂	PET/PC
净重	3.311/g
行数	2
包装形式	Bag
面板安装式	否

间距 - 插配接口	6.20mm
间距 - 终端界面	6.20mm
有极性的插配件	是
可堆叠的	否
运行温度范围	-40° to +110° C

可配插/可连接使用的产品

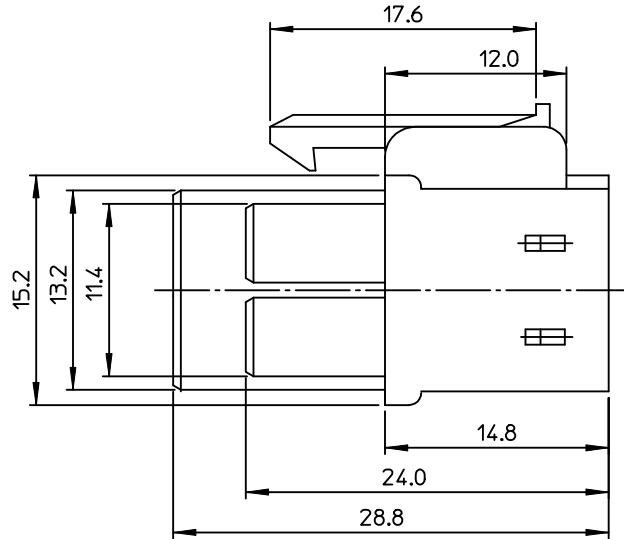
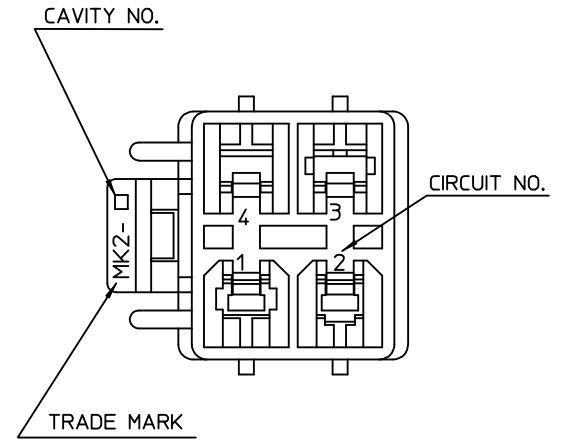
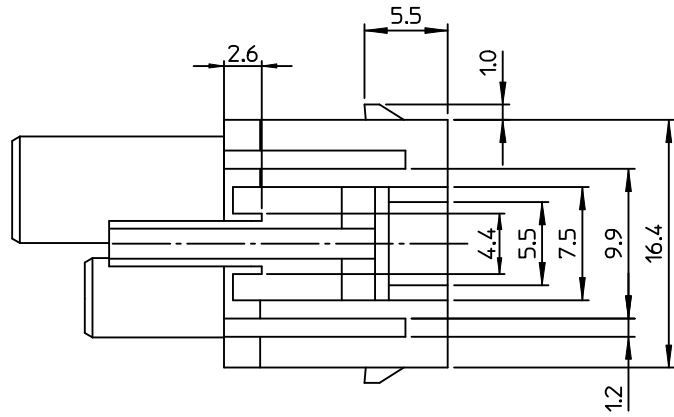
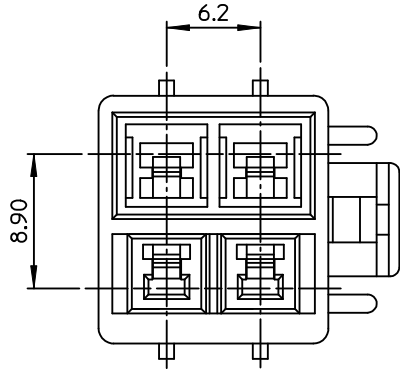
可配插部件

描述	产品编号
VersaBlade Multi-Module 2-3-4 Hybrid Receptacle Housing, 9 Circuits, Full Flange Panel Mount, Natural, Glow-Wire Capable	<u>2026500909</u>
VersaBlade Hybrid Receptacles Housings and TPAs	<u>35150</u>
VersaBlade Multi-Module 2-3-4 Hybrid Receptacle Housings	<u>35524</u>

可连接使用部件

描述	产品编号
VersaBlade Terminal Position Assurance (TPA) Retainer, 6.20mm Pitch, 2 Circuits, Natural	<u>/content/molex/molex-dot-com/cn/zh/products/product-page.html/351500290.html</u>
VersaBlade Terminal Position Assurance (TPA) Retainer, 6.20mm Pitch, 2 Circuits, Red	<u>/content/molex/molex-dot-com/cn/zh/products/product-page.html/351500292.html</u>
VersaBlade Terminal Position Assurance (TPA) Retainer, 6.20mm Pitch, 2 Circuits, Yellow	<u>/content/molex/molex-dot-com/cn/zh/products/product-page.html/351500293.html</u>
VersaBlade Terminal Position Assurance (TPA) Retainer, 6.20mm Pitch, 2 Circuits, Blue	<u>/content/molex/molex-dot-com/cn/zh/products/product-page.html/351500294.html</u>
VersaBlade Male Crimp Terminals	<u>35745</u>
VersaBlade Female Crimp Terminals	<u>35746</u>
VersaBlade Male Crimp Terminals	<u>35747</u>
VersaBlade Female Crimp Terminals	<u>35748</u>

This document was generated on Jun 30, 2024



NOTES

1. MATERIAL : SEE TABLE

N	PRODUCT		MATERIAL	
	PART NO	MATERIAL NO	COLOR	DESCRIPTION
1	35151-0419	351510419	NATURAL	PC/PET
2	35151-3419	351513419	YELLOW	UL94V-0
3	35151-4419	351514419	BLUE	

2. MATED HOUSING : 35150-***40***/***41***

3 . APPLICATION TERMINAL : 35745 - ******** (3CKT)
 35746 - ******** (1CKT)
 35747 - ******** (4CKT)
 35748 - ******** (2CKT)

4. APPLICABLE T.P.A : 35150 - 029*

RELEASED EC NO: KOR2016-0061 DRWN: SCHONG03 2016/01/04 CHKD: SHCHU 2016/01/04 APPR: YSK1M02 2016/03/03	QUALITY SYMBOLS	GENERAL TOLERANCES (UNLESS SPECIFIED)		DIMENSION STYLE		SCALE	DESIGN UNITS	THIRD ANGLE PROJECTION		
	$\nabla=0$ $\nabla=0$	mm	INCH	MM ONLY		3:1	METRIC			
		4 PLACES	± ---	± ---	DRAWN BY	DATE	TITLE			
		3 PLACES	± ---	± ---	SCHONG03	2016/01/04	6.2 PITCH W/W FEMALE HSG -4P			
	2 PLACES	± 0.3	± ---	CHECKED BY	DATE					
	1 PLACE	± 0.3	± ---	SHCHU	2016/01/04					
	0 PLACE	± ---	± ---	APPROVED BY	DATE	MATERIAL NO. DOCUMENT NO. SHEET NO.				
		ANGULAR ± 1 °		YSK1M02 2016/03/03		SEE TABLE		SD-35151-0419		1 OF 1
		DRAFT WHERE APPLICABLE MUST REMAIN WITHIN DIMENSIONS		MATERIAL NO.		THIS DRAWING CONTAINS INFORMATION THAT IS PROPRIETARY TO MOLEX INCORPORATED AND SHOULD NOT BE USED WITHOUT WRITTEN PERMISSION				
				SIZE						
				A3						