

This document was generated on 12/14/2021

**PLEASE CHECK WWW.MOLEX.COM FOR LATEST PART INFORMATION**

**Part Number:** [0351560300](#)  
**Status:** **Active**  
**Description:** 3.96mm Pitch Wire-to-Board Housing: Positive Locking, 3 Circuits, Natural

**Documents:**

<a href="#">3D Model</a>	<a href="#">Product Specification PS-35156-003-001 (PDF)</a>
<a href="#">Drawing (PDF)</a>	<a href="#">Packaging Specification 351560200-100 (PDF)</a>
<a href="#">3D Model (PDF)</a>	<a href="#">Packaging Specification PK-35156-001-001 (PDF)</a>
<a href="#">Product Specification PS-35156-001-001 (PDF)</a>	<a href="#">RoHS Certificate of Compliance (PDF)</a>

**Agency Certification**

CSA	LR19980
UL	E29179

**General**

Product Family	Crimp Housings
Series	<a href="#">35156</a>
Application	Power, Wire-to-Board
Product Name	N/A
UPC	800754375764

**Physical**

Breakaway	No
Circuits (maximum)	3
Color - Resin	Natural
Flammability	94V-0
Gender	Receptacle
Glow-Wire Capable	No
Keying to Mating Part	None
Lock to Mating Part	Yes
Material - Resin	Polyester
Net Weight	0.933/g
Number of Rows	1
Packaging Type	Bag
Panel Mount	No
Pitch - Mating Interface	3.96mm
Pitch - Termination Interface	3.96mm
Stackable	No
Temperature Range - Operating	-40° to +105°C

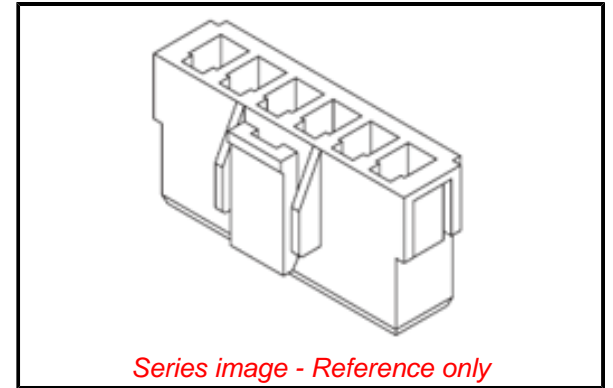
**Solder Process Data**

Lead-freeProcess Capability	N/A
-----------------------------	-----

**Material Info**

**Reference - Drawing Numbers**

Packaging Specification	351560200-100, PK-35156-001-001
Product Specification	PS-35156-001-001, PS-35156-003-001



**EU ELV**

**Not Relevant**

**EU RoHS**

**Compliant**

**REACH SVHC**

Not Contained Per -  
D(2021)4569-DC (8  
July 2021)

**Halogen-Free**

**Status**

**Not Low-Halogen**

For more information, please visit [Contact US](#)

China ROHS

ELV

RoHS Phthalates

**China RoHS**

Green Image

Not Relevant

Not Contained

**Search Parts in this Series**

[35156](#) Series

**Mates With**

[35313](#) PCB Header, [35328](#) PCB Header

**Use With**

[50217](#) Crimp Terminals

This document was generated on 12/14/2021

**PLEASE CHECK WWW.MOLEX.COM FOR LATEST PART INFORMATION**

# Mouser Electronics

Authorized Distributor

Click to View Pricing, Inventory, Delivery & Lifecycle Information:

[Molex:](#)

[35156-0300](#)