



产品编号 : 351800409

系列号 : 35180

Product Category : Connector Housings

Product Description : VersaBlade Multi-Module 2-2 Hybrid Receptacle Housing, with Mounting Ears, 4 Circuits, Natural, Glow-Wire Capable

状态 : Active

文件和资源

图纸

图纸 351800409_sd.pdf

3D 模型和设计文件

3D模型 351800409_stp.zip

规格

应用规格 351500000AS_ENG-000.pdf


应用规格 351500000AS_KOR-000.pdf

包装规格 PK-35180-001-001.pdf

产品规格 351800400-001.pdf

产物环境合规

合规

GADSL/IMDS	Not Relevant
China RoHS	
EU ELV	Not Relevant
Low-Halogen Status	Not Low-Halogen per IEC 61249-2-21
REACH SVHC	Not Contained per D(2023)8585-DC (23 Jan 2024)
EU RoHS	Compliant per EU 2015/863

多部分产品合规性声明

- Eu RoHS
- REACH SVHC
- Low-Halogen

- IPC 1752A Class C
- IPC 1752A Class D

- Molex Product Compliance Declaration

- IEC-62474

- chemSHERPA (xml)

欧盟 RoHS 合格证书

产品详情

常规

状态	活动
类别	Connector Housings
系列	35180
说明	VersaBlade Multi-Module 2-2 Hybrid Receptacle Housing, with Mounting Ears, 4 Circuits, Natural, Glow-Wire Capable
应用	Power, Wire-to-Wire
产品系列	VersaBlade Wire-to-Wire Connector System
产品名称	VersaBlade
UPC	756054258316

机构

UL	E29179
----	--------

物理

断开	否
电路数 (最多)	4
颜色-树脂	Natural
阻燃性	94V-0
性别	Receptacle
符合灼热丝规范	是
插接极性	无
锁定插接部位	是
材料 - 树脂	PET/PC
净重	5.053/g
行数	2
包装形式	Bag

面板安装式	是
间距 - 插配接口	8.00mm, 8.70mm
间距 - 终端界面	8.00mm, 8.70mm
有极性的插配件	是
可堆叠的	否
运行温度范围	-40° to +110° C

可配插/可连接使用的产品

可配插部件

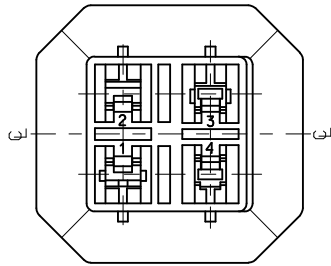
描述	产品编号
VersaBlade Multi-Module Hybrid Plug Housing, 2 Circuits, Friction Lock, Type A, Natural	<u>351810200</u>
VersaBlade Multi-Module Hybrid Plug Housing, 2 Circuits, Friction Lock, Type B, Natural	<u>351810210</u>
VersaBlade Multi-Module Hybrid Plug Housing, 2 Circuits, Friction Lock, Type B, Blue	<u>351810214</u>
VersaBlade Multi-Module Hybrid Plug Housing, 2 Circuits, Positive Lock, Type A, Natural	<u>359650200</u>
VersaBlade Multi-Module Hybrid Plug Housing, 2 Circuits, Positive Lock, Type A, Blue	<u>359650204</u>
VersaBlade Multi-Module Hybrid Plug Housing, 2 Circuits, Positive Lock, Type B, Natural	<u>359650210</u>
VersaBlade Multi-Module Hybrid Plug Housing, 2 Circuits, Positive Lock, Type B, Blue	<u>359650214</u>
VersaBlade Multi-Module Hybrid Plug Housing, 2 Circuits, Positive Lock, Type A, Natural, Glow-Wire Capable	<u>359659200</u>
VersaBlade Multi-Module Hybrid Plug Housing, 2 Circuits, Positive Lock, Type A, Yellow, Glow-Wire Capable	<u>359659203</u>
VersaBlade Multi-Module Hybrid Plug Housing, 2 Circuits, Positive Lock, Type B, Natural, Glow-Wire Capable	<u>359659210</u>

VersaBlade Multi-Module Hybrid Plug Housing, 2 Circuits, Positive Lock, Type B, Yellow, Glow-Wire Capable	<u>359659213</u>
---	------------------

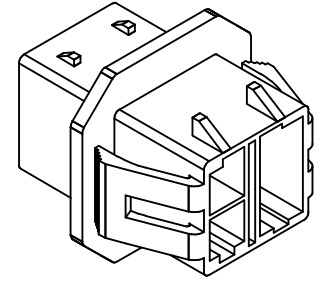
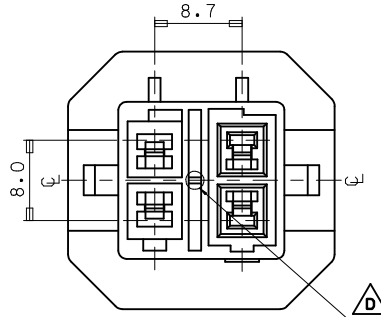
可连接使用部件

描述	产品编号
VersaBlade Terminal Position Assurance (TPA) Retainer, 8.70mm Pitch, 2 Circuits, Natural	<u>/content/molex/molex-dot-com/cn/zh/products/product-page.html/351820290.html</u>
VersaBlade Terminal Position Assurance (TPA) Retainer, 8.70mm Pitch, 2 Circuits, Red	<u>/content/molex/molex-dot-com/cn/zh/products/product-page.html/351820292.html</u>
VersaBlade Male Crimp Terminals	<u>35745</u>
VersaBlade Female Crimp Terminals	<u>35746</u>
VersaBlade Male Crimp Terminals	<u>35747</u>
VersaBlade Female Crimp Terminals	<u>35748</u>

10 9 8 7 6 5 4 3 2 1

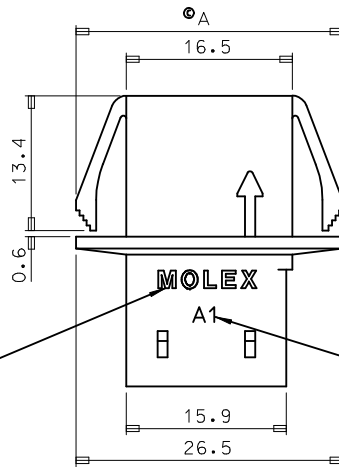
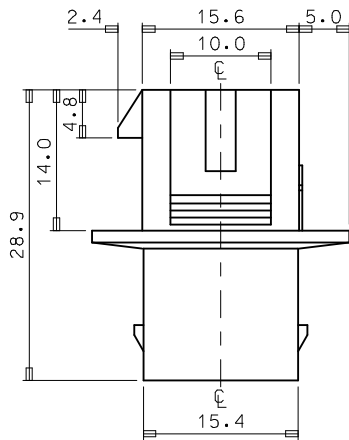


VIEW "A"



NOTES.

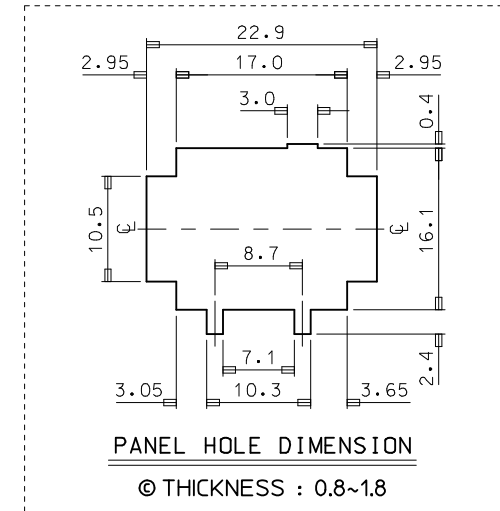
1. MATERIAL & COLOR : SEE TABLE
2. MATED HOUSING : 35181-020*, 35965-020*/920*
35181-021*, 35965-021*/921*
3. APPLICABLE TERMINAL : 35745-0*10 (1 CIRCUIT)
35746-0*10 (3 CIRCUIT)
35747-0*10 (2 CIRCUIT)
35748-0*10 (4 CIRCUIT)
- ④ 4. APPLICABLE T.P.A : 35182-029*
5. PRODUCT SPECIFICATION : PS-35180-002



TRADE MARK

© TOOL & CAVITY NO
(TOOL:A,B..CAV:1,2..)

VIEW "A"



PANEL HOLE DIMENSION

© THICKNESS : 0.8~1.8

NO	PRODUCT		MATERIAL		DIMENSION ①(A)
	PART NO	MATERIAL NO	COLOR	DESCRIPTION	
1	35180-0400	351800400	NATURAL	PBT (UL94V-0)	26.2
2	35180-0404	351800404	BLUE		
3	35180-0409	351800409	NATURAL	PC/PET (UL94V-0)	26.5
4	35180-3409	351803409	YELLOW		
5	35180-4409	351804409	BLUE		

REVISED	EC NO: KOR2014-0009	2013/08/12
	DRWN: JSSHIN	2013/08/12
	CHKD: SHCHU	
	APPR: YSK1M02	2013/09/03
D1	REV	DESCRIPTION

QUALITY SYMBOLS	▽=0
	∠=0

GENERAL TOLERANCES (UNLESS SPECIFIED)		mm	INCH
	4 PLACES	± ---	± ---
	3 PLACES	± ---	± ---
	2 PLACES	± ---	± ---
	1 PLACE	± 0.3	± ---
ANGULAR ± 1 °			
DRAFT WHERE APPLICABLE MUST REMAIN WITHIN DIMENSIONS			

DIMENSION STYLE MM ONLY	
DRAWN BY	DATE
JS.KANG	1995/09/28
CHECKED BY	DATE
CW.LEE	1995/09/28
APPROVED BY	DATE
CW.LEE	1995/09/28
MATERIAL NO.	
SEE TABLE	
SIZE	A3

SCALE 2:1	DESIGN UNITS METRIC	THIRD ANGLE PROJECTION
TITLE .070 MULTI W/W CONN MALE HSG-4P		
MOLEX INCORPORATED		
DOCUMENT NO. SD-35180-040*	SHEET NO. 1 OF 01	
THIS DRAWING CONTAINS INFORMATION THAT IS PROPRIETARY TO MOLEX INCORPORATED AND SHOULD NOT BE USED WITHOUT WRITTEN PERMISSION		

9 8 7 6 5 4 3 2 1