



产品编号 : 359650204

系列号 : 35965

Product Category : Connector Housings

Product Description : VersaBlade Multi-Module Hybrid Plug Housing, 2 Circuits, Positive Lock, Type A, Blue

状态 : Active

---

## 文件和资源

### 图纸

图纸 359650204\_sd.pdf

### 3D 模型和设计文件

3D模型 359650204\_stp.zip

### 规格

应用规格 351500000AS\_ENG-000.pdf

应用规格 351500000AS\_KOR-000.pdf

包装规格 PK-35965-001-001.pdf


产品规格 351800400-001.pdf

产品规格 351800600-001.pdf

---

## 产物环境合规

### 合规

GADSL/IMDS	Not Relevant
China RoHS	
EU ELV	Not Relevant
Low-Halogen Status	Not Low-Halogen per IEC 61249-2-21
REACH SVHC	Not Contained per D(2023)8585-DC (23 Jan 2024)
EU RoHS	Compliant per EU 2015/863

### 多部分产品合规性声明

- Eu RoHS
- REACH SVHC
- Low-Halogen
  
- IPC 1752A Class C
- IPC 1752A Class D

- Molex Product Compliance Declaration

- IEC-62474

- chemSHERPA (xml)

欧盟 RoHS 合格证书

---

## 产品详情

### 常规

状态	活动
类别	Connector Housings
系列	35965
说明	VersaBlade Multi-Module Hybrid Plug Housing, 2 Circuits, Positive Lock, Type A, Blue
应用	Power, Wire-to-Wire
产品系列	VersaBlade Wire-to-Wire Connector System
产品名称	VersaBlade
UPC	756054284872

### 机构

CSA	LR19980
UL	E29179

### 物理

电路数（最多）	2
颜色-树脂	蓝色
阻燃性	94V-0
性别	Plug
符合灼热丝规范	否
插接极性	无
锁定插接部位	是
材料 - 树脂	PBT
净重	1.806/g
行数	2
包装形式	Bag
面板安装式	否

间距 - 插配接口	8.00mm
间距 - 终端界面	8.00mm
有极性的插配件	是
可堆叠的	否
运行温度范围	-40° to +120° C

---

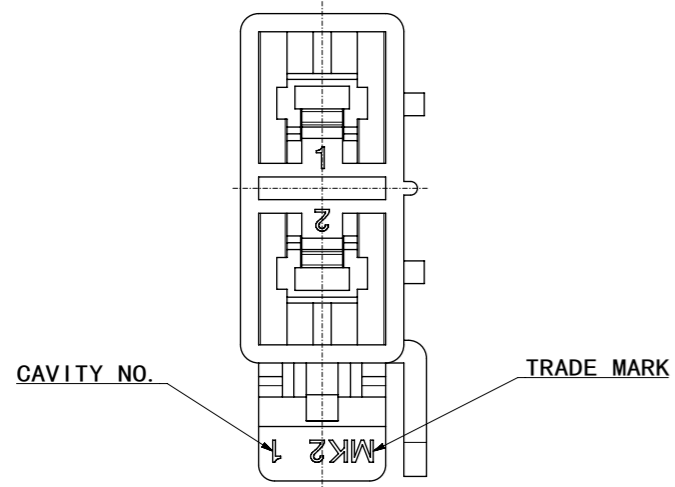
## 可配插/可连接使用的产品

### 可配插部件

描述	产品编号
VersaBlade Multi-Module Hybrid Receptacle Housings	<u>35180</u>

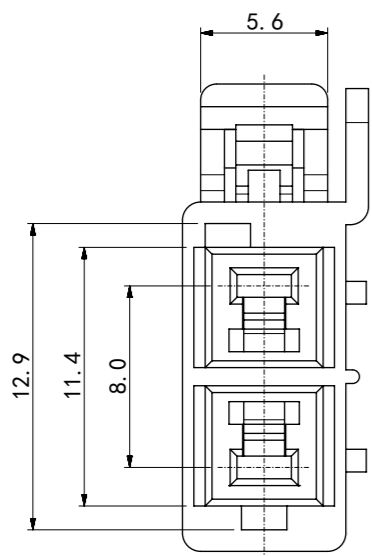
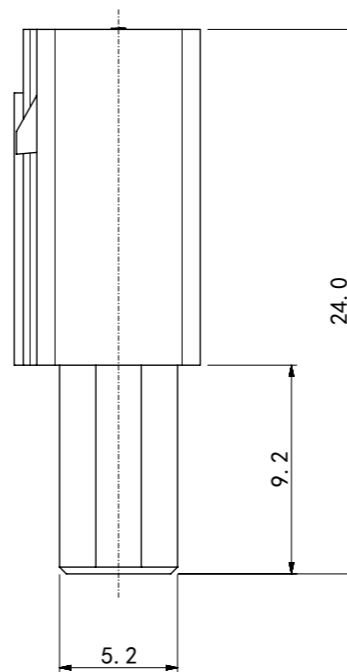
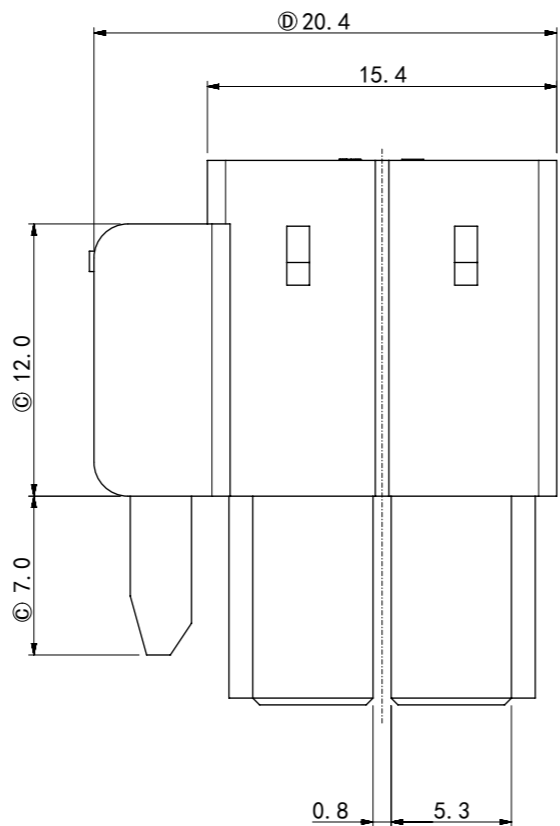
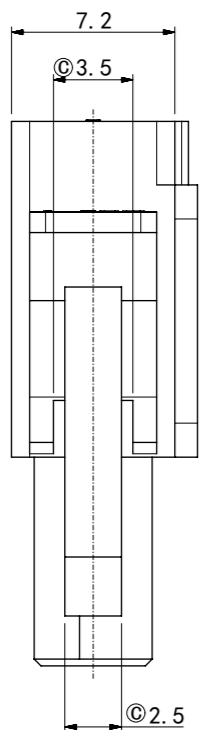
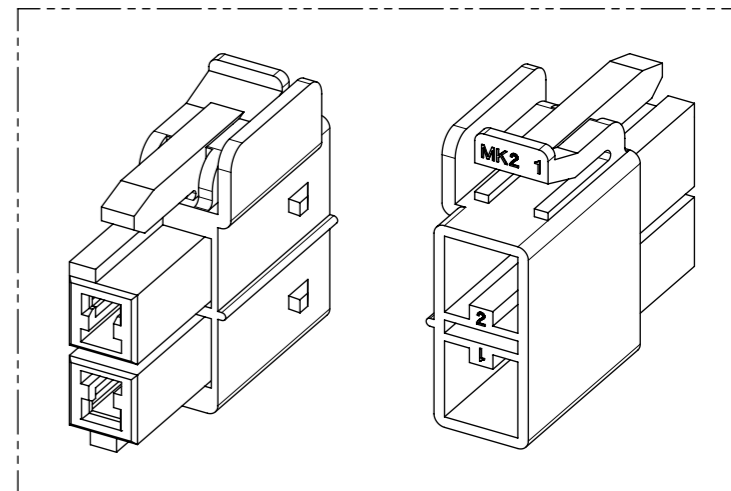
### 可连接使用部件

描述	产品编号
VersaBlade Terminal Position Assurance (TPA) Retainer, 8.50mm Pitch, 2 Circuits, Red	<a href="/content/molex/molex-dot-com/cn/zh/products/product-page.html/I0408I0282.html">/content/molex/molex-dot-com/cn/zh/products/product-page.html/I0408I0282.html</a>
VersaBlade Terminal Position Assurance (TPA) Retainer, 8.00mm Pitch, 2 Circuits, Natural	<a href="/content/molex/molex-dot-com/cn/zh/products/product-page.html/359650290.html">/content/molex/molex-dot-com/cn/zh/products/product-page.html/359650290.html</a>
VersaBlade Terminal Position Assurance (TPA) Retainer, 8.00mm Pitch, 2 Circuits, Red	<a href="/content/molex/molex-dot-com/cn/zh/products/product-page.html/359650292.html">/content/molex/molex-dot-com/cn/zh/products/product-page.html/359650292.html</a>
VersaBlade Terminal Position Assurance (TPA) Retainer, 8.00mm Pitch, 2 Circuits, Yellow	<a href="/content/molex/molex-dot-com/cn/zh/products/product-page.html/359650293.html">/content/molex/molex-dot-com/cn/zh/products/product-page.html/359650293.html</a>
VersaBlade Terminal Position Assurance (TPA) Retainer, Upper Type, 8.50mm Pitch, 3 Circuits, Red	<a href="/content/molex/molex-dot-com/cn/zh/products/product-page.html/495470392.html">/content/molex/molex-dot-com/cn/zh/products/product-page.html/495470392.html</a>
VersaBlade Terminal Position Assurance (TPA) Retainer, Lower Type, 8.50mm Pitch, 3 Circuits, Natural	<a href="/content/molex/molex-dot-com/cn/zh/products/product-page.html/495480390.html">/content/molex/molex-dot-com/cn/zh/products/product-page.html/495480390.html</a>
VersaBlade Female Crimp Terminals	<u>35746</u>



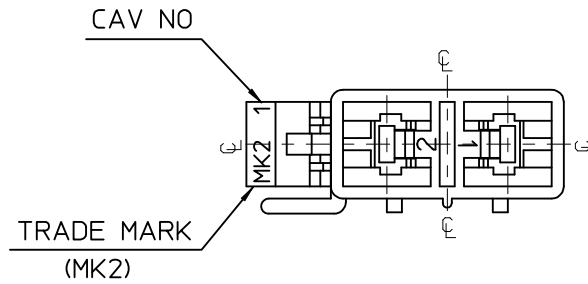
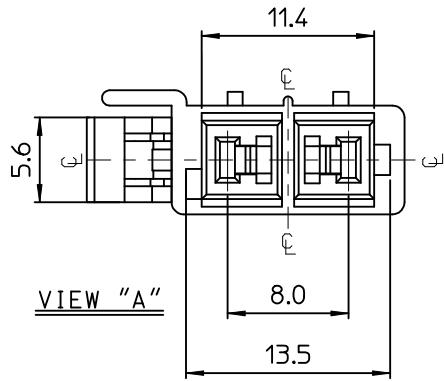
**NOTE**

1. MATERIAL & COLOR : SEE TABLE
2. MATED HOSUING : 35180-\*40\* / 35180-\*60\*
3. APPLICABLE TERMINAL : 35746-0\*10
4. MATED TPA : 35965-029\*
5. PRODUCT SPECIFICATION : PS 351800400 / 351800600
6. PACKAGING SPECIFICATION : PK-35965-001



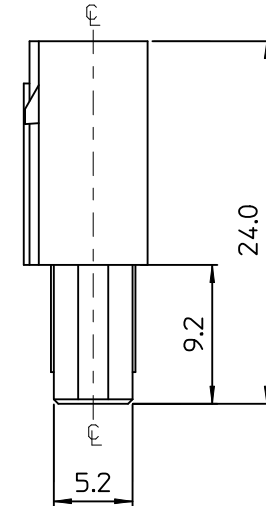
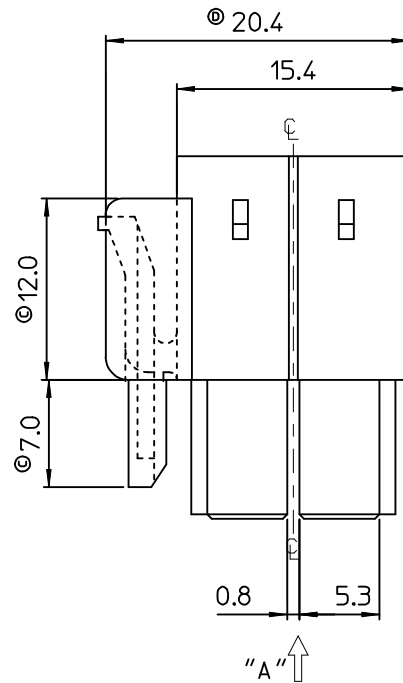
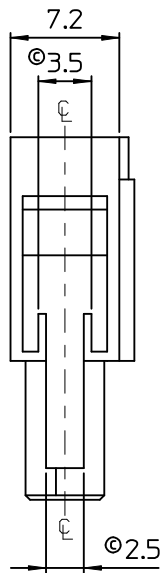
NO.	POLYESTER (PBT)	
	MATERIAL	COLOR
1	35965-0200	NATURAL
2	35965-0203	YELLOW
3	35965-0204	BLUE

SYMBOLS	THIS DRAWING CONTAINS INFORMATION THAT IS PROPRIETARY TO MOLEX ELECTRONIC TECHNOLOGIES, LLC AND SHOULD NOT BE USED WITHOUT WRITTEN PERMISSION		CURRENT REV DESC:		<b>molex</b>		
	DIMENSION UNITS	SCALE					
▽ = 0	mm	3:1	EC NO: 177777		DOCUMENT NUMBER		
▽ = 0	GENERAL TOLERANCES (UNLESS SPECIFIED)		DRWN: JSSHIN 2018/06/07		359650200		
▽ = 0	ANGULAR TOL ± 1.0°		CHK'D: SHCHU 2018/06/08		DOC TYPE DOC PART REVISION		
▽ = 0	4 PLACES ±		APPR: YSKIM02 2018/06/08		PSD 000 E		
▽ = 0	3 PLACES ±		INITIAL REVISION:		MATERIAL NUMBER CUSTOMER SHEET NUMBER		
▽ = 0	2 PLACES ±		DRWN: SCHONG03 2018/01/24		SEE TABLE GENERAL MARKET 1 OF 1		
▽ = 0	1 PLACE ± 0.3		APPR: YSKIM02 2018/06/08				
▽ = 0	0 PLACES ± 0.3		THIRD ANGLE PROJECTION				
■ = 0	DRAFT WHERE APPLICABLE MUST REMAIN WITHIN DIMENSIONS		DRAWING				
▽ = 0			A3-SIZE				



NOTES.

1. MATERIAL & COLOR : SEE TABLE
2. MATED HOUSING : 35180-040\*  
35180-060\*
3. APPLICABLE TERMINAL : 35746-0\*10
4. APPLICABLE T.P.A : 35965-029\*
5. PRODUCT SPECIFICATION : PS-35180-002



NO.	POLYESTER(PBT)		PC/PET(UL94V-0)	
	MATERIAL	COLOR	MATERIAL	COLOR
1	35965-0200	NATURAL	35965-9200	NATURAL
2	35965-0202	RED	35965-9202	RED
3	35965-0203	YELLOW	35965-9203	YELLOW
4	35965-0204	BLUE	35965-9204	BLUE

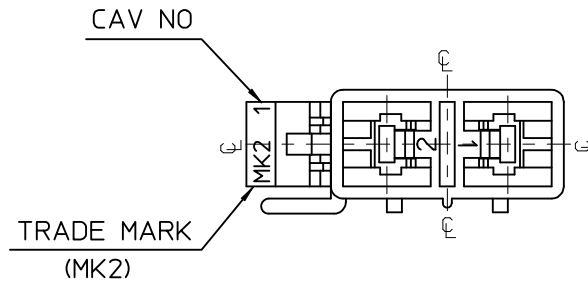
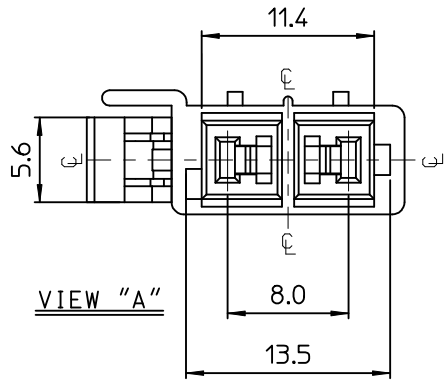
REVISED	EC NO: KOR2017-0041	2017/02/16
	DRWN: JSSHIN	2017/02/16
	CHKD: SHCHU	2017/02/16
	APPR: YSKI1M02	2017/02/17
D1	REV	DESCRIPTION

QUALITY SYMBOLS
▽=0
∇=0

GENERAL TOLERANCES (UNLESS SPECIFIED)	
	mm
4 PLACES	± 0.3
3 PLACES	± 0.4
2 PLACES	± 0.5
1 PLACE	± 0.6
ANGULAR ± 1°	
DRAFT WHERE APPLICABLE MUST REMAIN WITHIN DIMENSIONS	

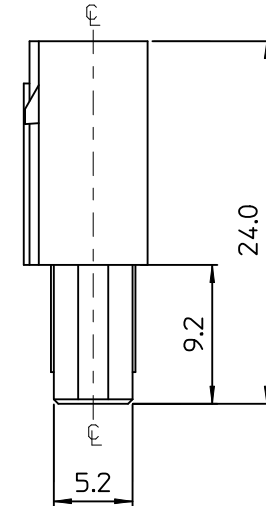
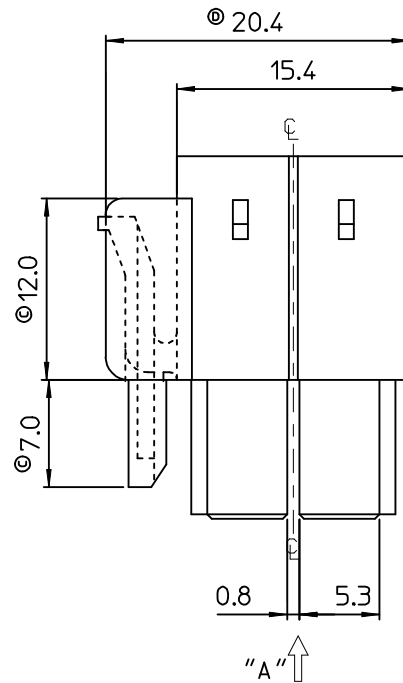
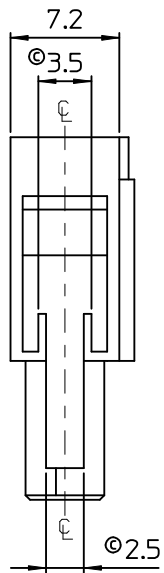
DIMENSION STYLE	
MM ONLY	
DRAWN BY	DATE
JS.KANG	1995/09/28
CHECKED BY	DATE
BK.CH01	1995/09/28
APPROVED BY	DATE
CW.LEE	1995/09/28
MATERIAL NO.	SEE TABLE
SIZE	A3

SCALE	3/1
DESIGN UNITS	METRIC
THIRD ANGLE PROJECTION	
TITLE	
070 MULTI FEMALE HSG 2P(A)	
MOLEX INCORPORATED	
DOCUMENT NO.	SD-35965-020*
SHEET NO.	1 OF 01
THIS DRAWING CONTAINS INFORMATION THAT IS PROPRIETARY TO MOLEX INCORPORATED AND SHOULD NOT BE USED WITHOUT WRITTEN PERMISSION	



NOTES.

1. MATERIAL & COLOR : SEE TABLE
2. MATED HOUSING : 35180-040\*  
35180-060\*
3. APPLICABLE TERMINAL : 35746-0\*10
4. APPLICABLE T.P.A : 35965-029\*
5. PRODUCT SPECIFICATION : PS-35180-002



NO.	POLYESTER(PBT)		PC/PET(UL94V-0)	
	MATERIAL	COLOR	MATERIAL	COLOR
1	35965-0200	NATURAL	35965-9200	NATURAL
2	35965-0202	RED	35965-9202	RED
3	35965-0203	YELLOW	35965-9203	YELLOW
4	35965-0204	BLUE	35965-9204	BLUE

REVISED	DESCRIPTION
EC NO: KOR2017-0041	
DRWN: JSSHIN	2017/02/16
CHKD: SHCHU	2017/02/16
APPR: YSKI1M02	2017/02/17
D1	REV

QUALITY SYMBOLS
= 0
= 0

GENERAL TOLERANCES (UNLESS SPECIFIED)	
	mm
4 PLACES	± 0.3
3 PLACES	± 0.4
2 PLACES	± 0.5
1 PLACE	± 0.6
ANGULAR ± 1°	
DRAFT WHERE APPLICABLE MUST REMAIN WITHIN DIMENSIONS	

DIMENSION STYLE	
MM ONLY	
DRAWN BY	DATE
JS.KANG	1995/09/28
CHECKED BY	DATE
BK.CHOI	1995/09/28
APPROVED BY	DATE
CW.LEE	1995/09/28
MATERIAL NO.	SEE TABLE
SIZE	A3

SCALE	3/1
DESIGN UNITS	METRIC
THIRD ANGLE PROJECTION	
TITLE	
070 MULTI FEMALE HSG 2P(A)	
MOLEX INCORPORATED	
MATERIAL NO.	SD-35965-020*
DOCUMENT NO.	
SHEET NO.	1 OF 01
THIS DRAWING CONTAINS INFORMATION THAT IS PROPRIETARY TO MOLEX INCORPORATED AND SHOULD NOT BE USED WITHOUT WRITTEN PERMISSION	