



产品编号 : 359659210

Product Description : VersaBlade Multi-Module Hybrid Plug Housing, 2 Circuits, Positive Lock, Type B, Natural, Glow-Wire Capable

系列号 : 35965

状态 : Active

Product Category : Connector Housings

文件和资源

图纸

图纸 359659210_sd.pdf

3D 模型和设计文件

3D模型 359659210_stp.zip

规格

应用规格 351500000AS_ENG-000.pdf

应用规格 351500000AS_KOR-000.pdf


包装规格 PK-35965-001-001.pdf

产品规格 351800400-001.pdf

产品规格 351800600-001.pdf

产物环境合规

合规

GADSL/IMDS	Not Relevant
China RoHS	
EU ELV	Not Relevant
Low-Halogen Status	Not Low-Halogen per IEC 61249-2-21
REACH SVHC	Not Contained per D(2023)8585-DC (23 Jan 2024)
EU RoHS	Compliant per EU 2015/863

多部分产品合规性声明

- Eu RoHS
- REACH SVHC
- Low-Halogen
- IPC 1752A Class C

- IPC 1752A Class D
- Molex Product Compliance Declaration
- IEC-62474
- chemSHERPA (xml)

欧盟 RoHS 合格证书

产品详情

常规

状态	活动
类别	Connector Housings
系列	35965
说明	VersaBlade Multi-Module Hybrid Plug Housing, 2 Circuits, Positive Lock, Type B, Natural, Glow-Wire Capable
应用	Power, Wire-to-Wire
产品系列	VersaBlade Wire-to-Wire Connector System
产品名称	VersaBlade
UPC	822350213448

机构

CSA	LR19980
UL	E29179

物理

电路数（最多）	2
颜色-树脂	Natural
阻燃性	94V-0
性别	Plug
符合灼热丝规范	是
插接极性	无
锁定插接部位	是
材料 - 树脂	PET/PC
净重	2.060/g
行数	2
包装形式	Bag

面板安装式	否
间距 - 插配接口	8.00mm
间距 - 终端界面	8.00mm
有极性的插配件	是
可堆叠的	否
运行温度范围	-40° to +110° C

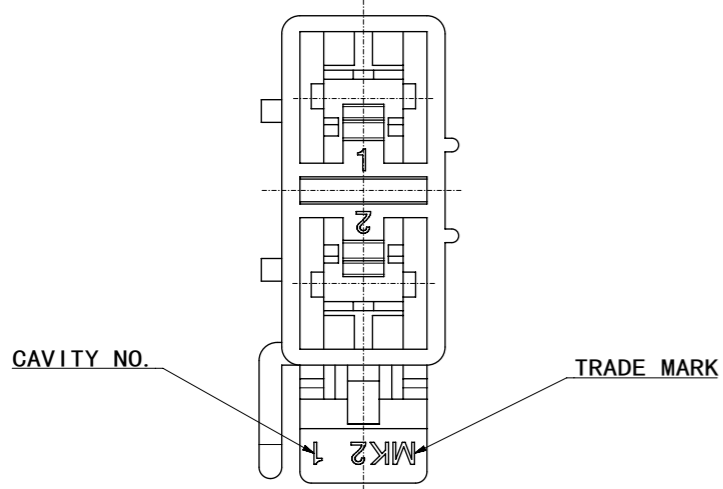
可配插/可连接使用的产品

可配插部件

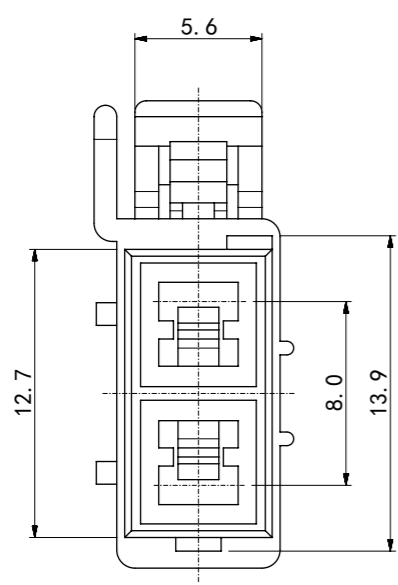
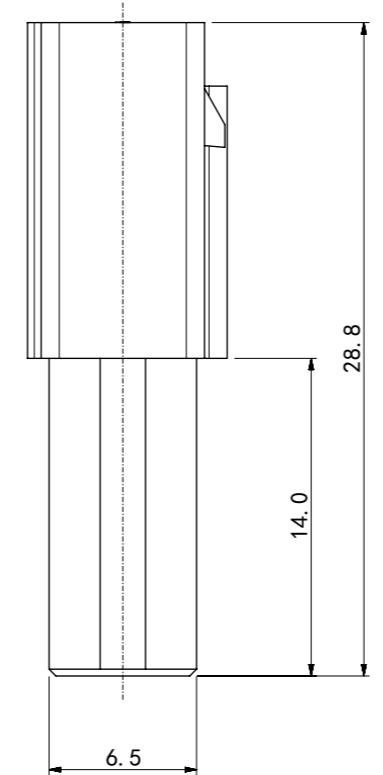
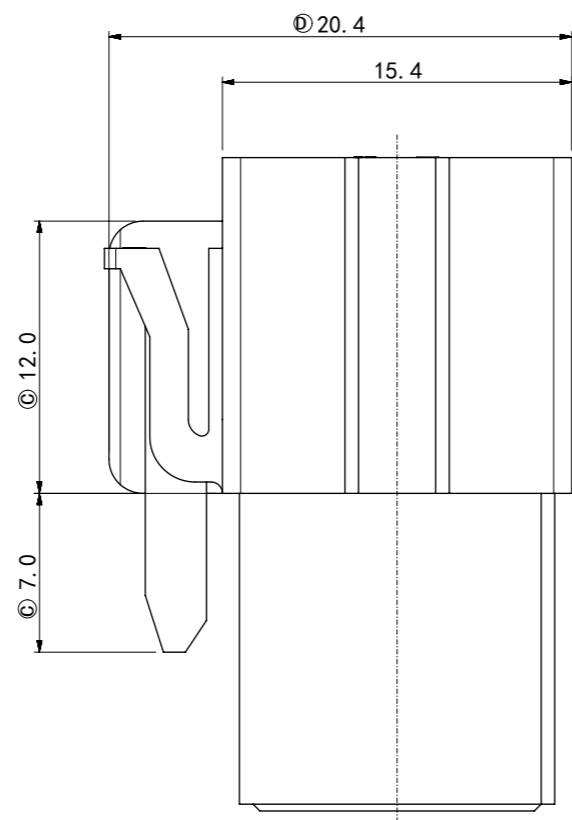
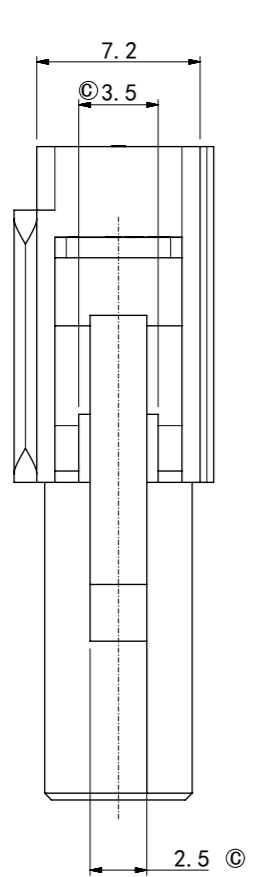
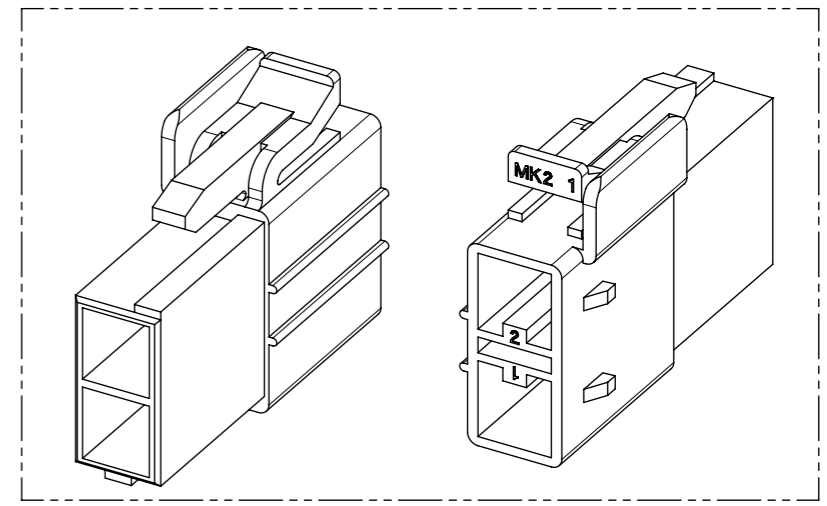
描述	产品编号
VersaBlade Multi-Module Hybrid Receptacle Housings	<u>35180</u>

可连接使用部件

描述	产品编号
VersaBlade Terminal Position Assurance (TPA) Retainer, 8.50mm Pitch, 2 Circuits, Red	/content/molex/molex-dot-com/cn/zh/products/product-page.html/1040810282.html
VersaBlade Terminal Position Assurance (TPA) Retainer, 8.00mm Pitch, 2 Circuits, Natural	/content/molex/molex-dot-com/cn/zh/products/product-page.html/359650290.html
VersaBlade Terminal Position Assurance (TPA) Retainer, 8.00mm Pitch, 2 Circuits, Red	/content/molex/molex-dot-com/cn/zh/products/product-page.html/359650292.html
VersaBlade Terminal Position Assurance (TPA) Retainer, 8.00mm Pitch, 2 Circuits, Yellow	/content/molex/molex-dot-com/cn/zh/products/product-page.html/359650293.html
VersaBlade Terminal Position Assurance (TPA) Retainer, Upper Type, 8.50mm Pitch, 3 Circuits, Red	/content/molex/molex-dot-com/cn/zh/products/product-page.html/495470392.html
VersaBlade Terminal Position Assurance (TPA) Retainer, Lower Type, 8.50mm Pitch, 3 Circuits, Natural	/content/molex/molex-dot-com/cn/zh/products/product-page.html/495480390.html
VersaBlade Male Crimp Terminals	<u>35745</u>

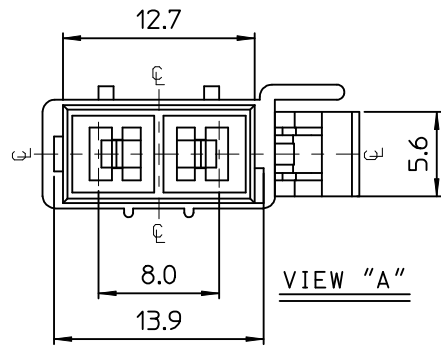


- NOTE**
1. MATERIAL & COLOR : SEE TABLE
 2. MATED HOUSING : 35180-*40* / 35180-*60*
 3. APPLICABLE TERMINAL : 35745-0*10
 4. MATED TPA : 35965-029*
 5. PRODUCT SPECIFICATION : PS 351800400 / 351800600
 6. PACKAGING SPECIFICATION : PK-35965-001

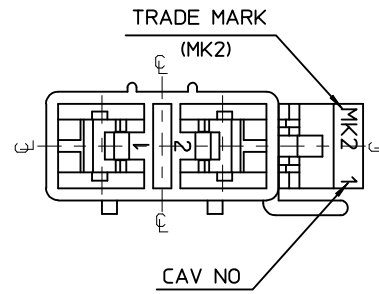


NO.	POLYESTER (PBT)		PET/PC (UL94V-0)	
	MATERIAL	COLOR	MATERIAL	COLOR
1	35965-0210	NATURAL	35965-9210	NATURAL
2	35965-0212	RED	35965-9212	RED
3	35965-0213	YELLOW	35965-9213	YELLOW
4	35965-0214	BLUE	35965-9214	BLUE

SYMBOLS ▽ = 0 ▽ = 0 ▽ = 0 ▽ = 0 ▽ = 0 ▽ = 0 ▽ = 0 ▽ = 0 ▽ = 0 ▽ = 0 ▽ = 0 ▽ = 0	THIS DRAWING CONTAINS INFORMATION THAT IS PROPRIETARY TO MOLEX ELECTRONIC TECHNOLOGIES, LLC AND SHOULD NOT BE USED WITHOUT WRITTEN PERMISSION DIMENSION UNITS: mm SCALE: 3:1	CURRENT REV DESC: EC NO: 17777 DRWN: JSSHIN 2018/06/08 CHK'D: SHCHU 2018/06/08 APPR: YSKIM02 2018/06/08	
	GENERAL TOLERANCES (UNLESS SPECIFIED) ANGULAR TOL ± 1.0° 4 PLACES ± 3 PLACES ± 2 PLACES ± 1 PLACE ± 0.3 0 PLACES ± 0.3	INITIAL REVISION: DRWN: SCHONG03 2017/12/15 APPR: YSKIM02 2018/06/08	
	DRAFT WHERE APPLICABLE MUST REMAIN WITHIN DIMENSIONS THIRD ANGLE PROJECTION	DRAWING: A3-SIZE SERIES: 35965	PRODUCT CUSTOMER DRAWING DOCUMENT NUMBER: 359659210 DOC TYPE: PSD DOC PART: 000 REVISION: E
		MATERIAL NUMBER: SEE TABLE CUSTOMER: GENERAL MARKET SHEET NUMBER: 1 OF 1	

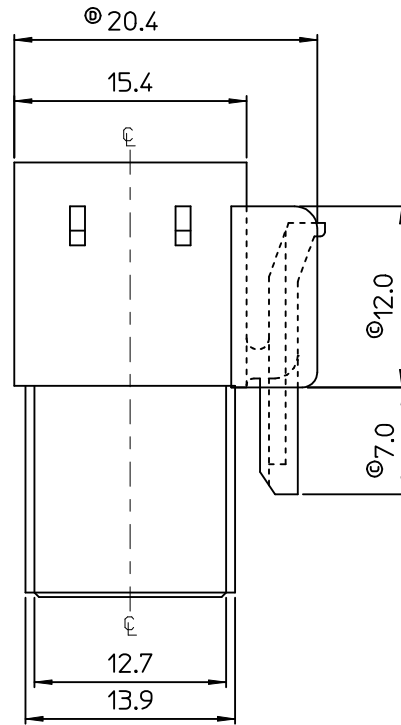
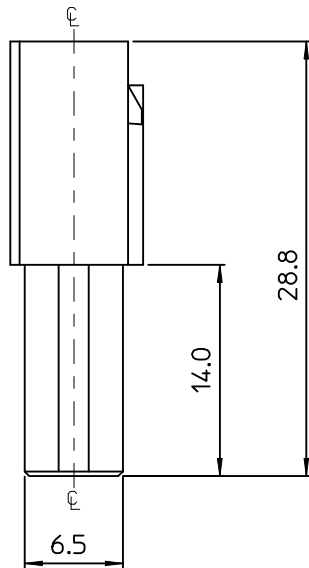


VIEW "A"

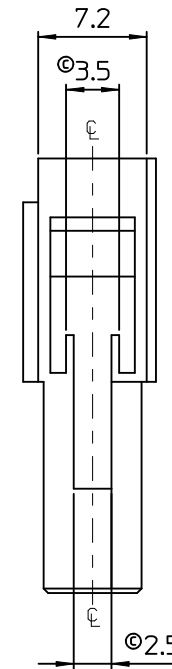


NOTES.

1. MATERIAL & COLOR : SEE TABLE
2. MATED HOUSING : 35180-040*
35180-060*
3. APPLICABLE TERMINAL : 35745-0*10
4. APPLICABLE T.P.A : 35965-029*
5. PRODUCT SPECIFICATION : PS-35180-002



↑ "A"



No.	PBT(UL94V-0)		PC/PET(UL94V-0)	
	MATERIAL	COLOR	MATERIAL	COLOR
1	35965-0210	NATURAL	35965-9210	NATURAL
2	35965-0212	RED	35965-9212	RED
3	35965-0213	YELLOW	35965-9213	YELLOW
4	35965-0214	BLUE	35965-9214	BLUE

REVISED
 EC NO: KOR2010-0186
 DRWN: JHPARK01 2010/05/17
 CHKD: SHCHU 2010/05/17
 APPR: YUNS IKKIM 2010/05/18

QUALITY SYMBOLS
 ▽=0
 ▽=0

GENERAL TOLERANCES (UNLESS SPECIFIED)

	m.m	INCH
4 PLACES	± ---	± ---
3 PLACES	± ---	± ---
2 PLACES	± ---	± ---
1 PLACE	± 0.3	± ---
ANGULAR ± 1 °		

DRAFT WHERE APPLICABLE MUST REMAIN WITHIN DIMENSIONS

DIMENSION STYLE
MM ONLY

DRAWN BY JS.KANG DATE 1995/09/28
 CHECKED BY BK.CHOI DATE 1995/09/28
 APPROVED BY CW.LEE DATE 1995/09/28

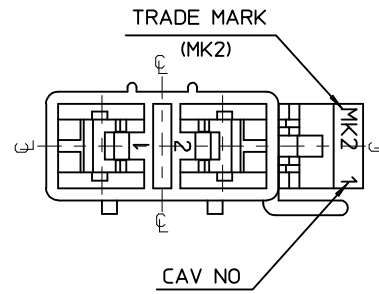
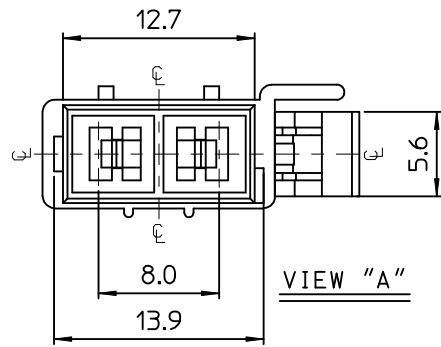
MATERIAL NO. SEE TABLE

SCALE 3:1
 DESIGN UNITS METRIC
 THIRD ANGLE PROJECTION

TITLE
070 MULTI FEMALE HSG 2P(B)

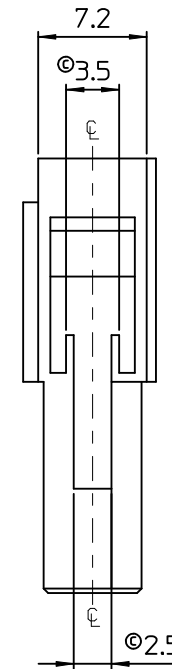
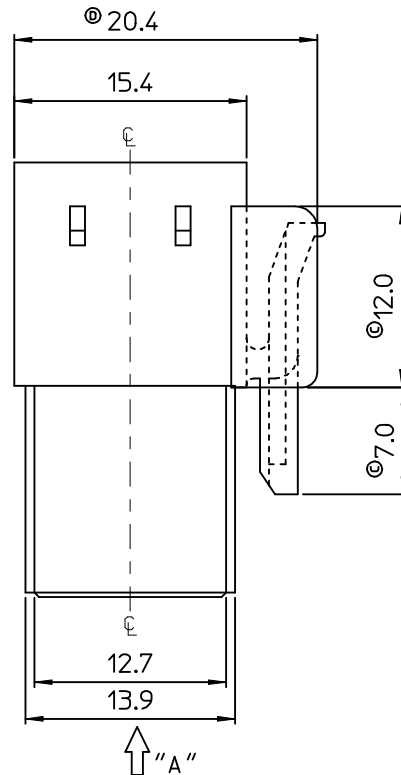
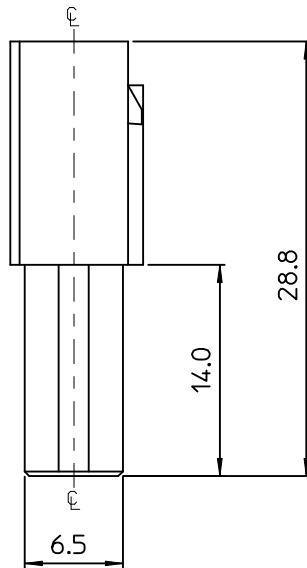
molex MOLEX INCORPORATED
 DOCUMENT NO. SD-35965-021* SHEET NO. 1 OF 01

THIS DRAWING CONTAINS INFORMATION THAT IS PROPRIETARY TO MOLEX INCORPORATED AND SHOULD NOT BE USED WITHOUT WRITTEN PERMISSION



NOTES.

1. MATERIAL & COLOR : SEE TABLE
2. MATED HOUSING : 35180-040*
35180-060*
3. APPLICABLE TERMINAL : 35745-0*10
4. APPLICABLE T.P.A : 35965-029*
5. PRODUCT SPECIFICATION : PS-35180-002



No.	PBT(UL94V-0)		PC/PET(UL94V-0)	
	MATERIAL	COLOR	MATERIAL	COLOR
1	35965-0210	NATURAL	35965-9210	NATURAL
2	35965-0212	RED	35965-9212	RED
3	35965-0213	YELLOW	35965-9213	YELLOW
4	35965-0214	BLUE	35965-9214	BLUE

REVISED
 EC NO: KOR2010-0186
 DRWN: JHPARK01 2010/05/17
 CHKD: SHCHU 2010/05/17
 APPR: YUNS IKKIM 2010/05/18

QUALITY SYMBOLS
 ▽=0
 ▽=0

GENERAL TOLERANCES (UNLESS SPECIFIED)

	mm	INCH
4 PLACES	± ---	± ---
3 PLACES	± ---	± ---
2 PLACES	± ---	± ---
1 PLACE	± 0.3	± ---
ANGULAR ± 1°		

DRAFT WHERE APPLICABLE
 MUST REMAIN
 WITHIN DIMENSIONS

DIMENSION STYLE
MM ONLY

DRAWN BY JS.KANG DATE 1995/09/28
 CHECKED BY BK.CHOI DATE 1995/09/28
 APPROVED BY CW.LEE DATE 1995/09/28

MATERIAL NO. SEE TABLE

SCALE 3:1
 DESIGN UNITS METRIC
 THIRD ANGLE PROJECTION

TITLE
070 MULTI FEMALE HSG 2P(B)

molex MOLEX INCORPORATED
 DOCUMENT NO. SD-35965-021*
 SHEET NO. 1 OF 01

THIS DRAWING CONTAINS INFORMATION THAT IS PROPRIETARY TO MOLEX INCORPORATED AND SHOULD NOT BE USED WITHOUT WRITTEN PERMISSION