

产品编号 : [367921201](#)

Product Description : MX120G Pitch Sealed Female Connector Assembly, Dual Row 12 Circuit, Black

系列号 : 36792

状态 : Active

Product Category : Connector Housings



文件和资源

图纸

[图纸 367921201_sd.pdf](#)

[包装设计图 PK-36783-002-001.pdf](#)

3D 模型和设计文件

[3D模型 367921201_stp.zip](#)


规格

[应用规格 AS-36783-001-001.pdf](#)

[产品规格 PS-36783-001-001.pdf](#)

产物环境合规

合规

GADSL/IMDS	Not Relevant
China RoHS	
EU ELV	Compliant per 2000/53/EC
Low-Halogen Status	Low-Halogen per IEC 61249-2-21
REACH SVHC	Not Contained per D(2023)3788-DC (14 Jun 2023)
EU RoHS	Compliant per EU 2015/863

多部分产品合规性声明

- Eu RoHS
- REACH SVHC
- Low-Halogen

多部分行业合规性文件

- IPC 1752A Class C

- IPC 1752A Class D
- Molex Product Compliance Declaration
- IEC-62474
- chemSHERPA (xml)

欧盟 RoHS 合格证书

产品详情

常规

状态	活动
类别	Connector Housings
系列	36792
说明	MX120G Pitch Sealed Female Connector Assembly, Dual Row 12 Circuit, Black
应用	Wire-to-Board
产品系列	MX120G Sealed Connectors
产品名称	MX120G
UPC	887191146799

机构

CSA	LR19980
UL	E29179

电气

每触点最大电流	10.5A
---------	-------

物理

电路数（最多）	12
颜色-树脂	黑色
阻燃性	94HB
性别	Receptacle
符合灼热丝规范	否
插接极性	不适用
锁定插接部位	是
材料 - 树脂	Nylon
净重	11.279/g

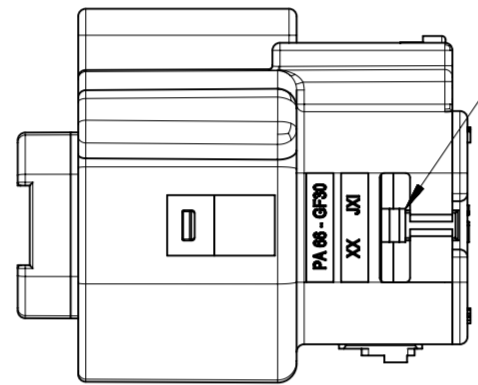
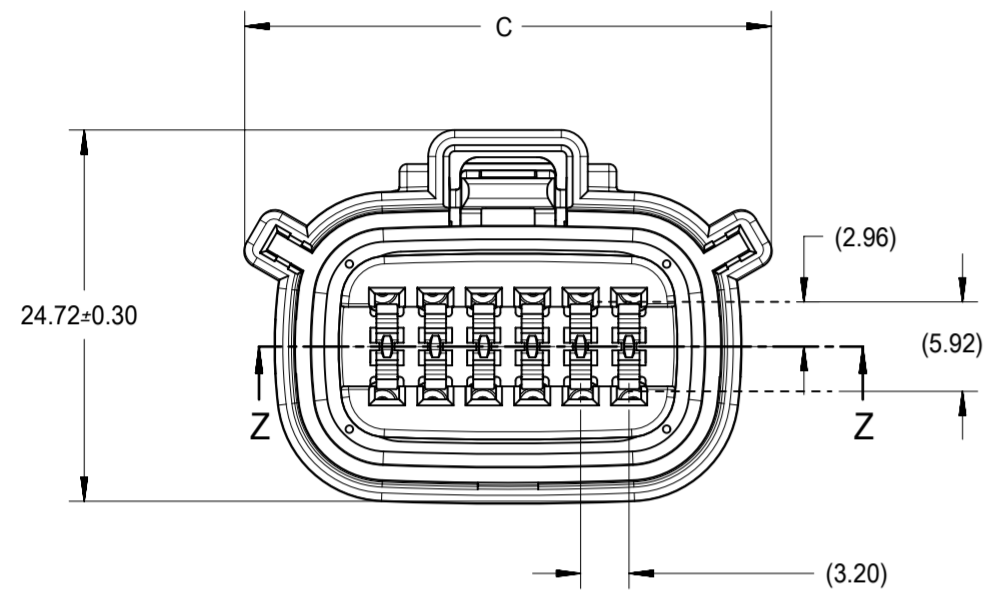
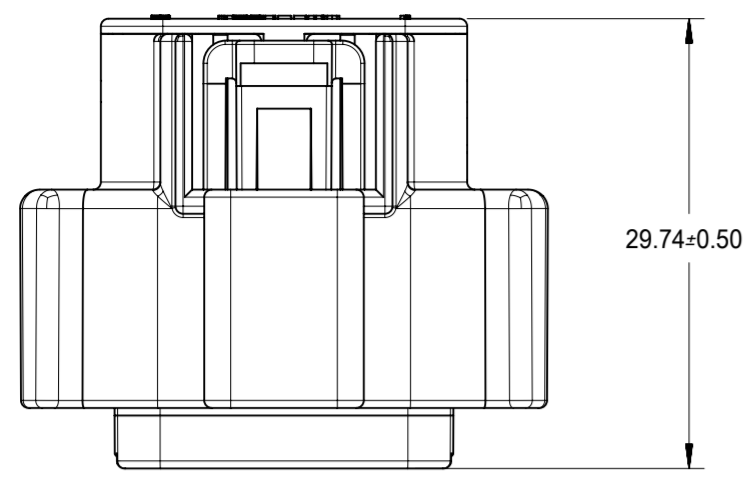
行数	2
包装形式	Carton
面板安装式	否
间距 - 插配接口	3.20mm
有极性的插配件	是
可堆叠的	否
运行温度范围	-40° to +105° C

进程

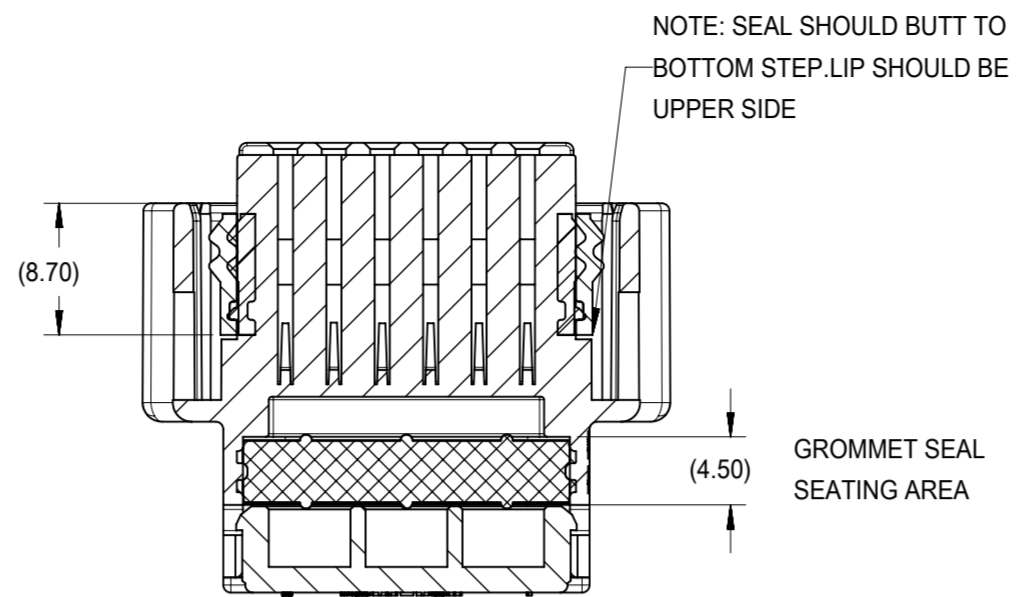
无铅	不适用
----	-----

可连接使用部件

描述	产品编号
MX120G Female Crimp Terminals	<u>36799</u>
Cavity Plug for MX120G Receptacles	<u>36804</u>



NOTE: GROMMET CAP LOCK SHOULD PROPERLY ENGAGE WITH HOUSING SLOT



SECTION Z-Z

NOTE: SEAL SHOULD BUTT TO BOTTOM STEP. LIP SHOULD BE UPPER SIDE

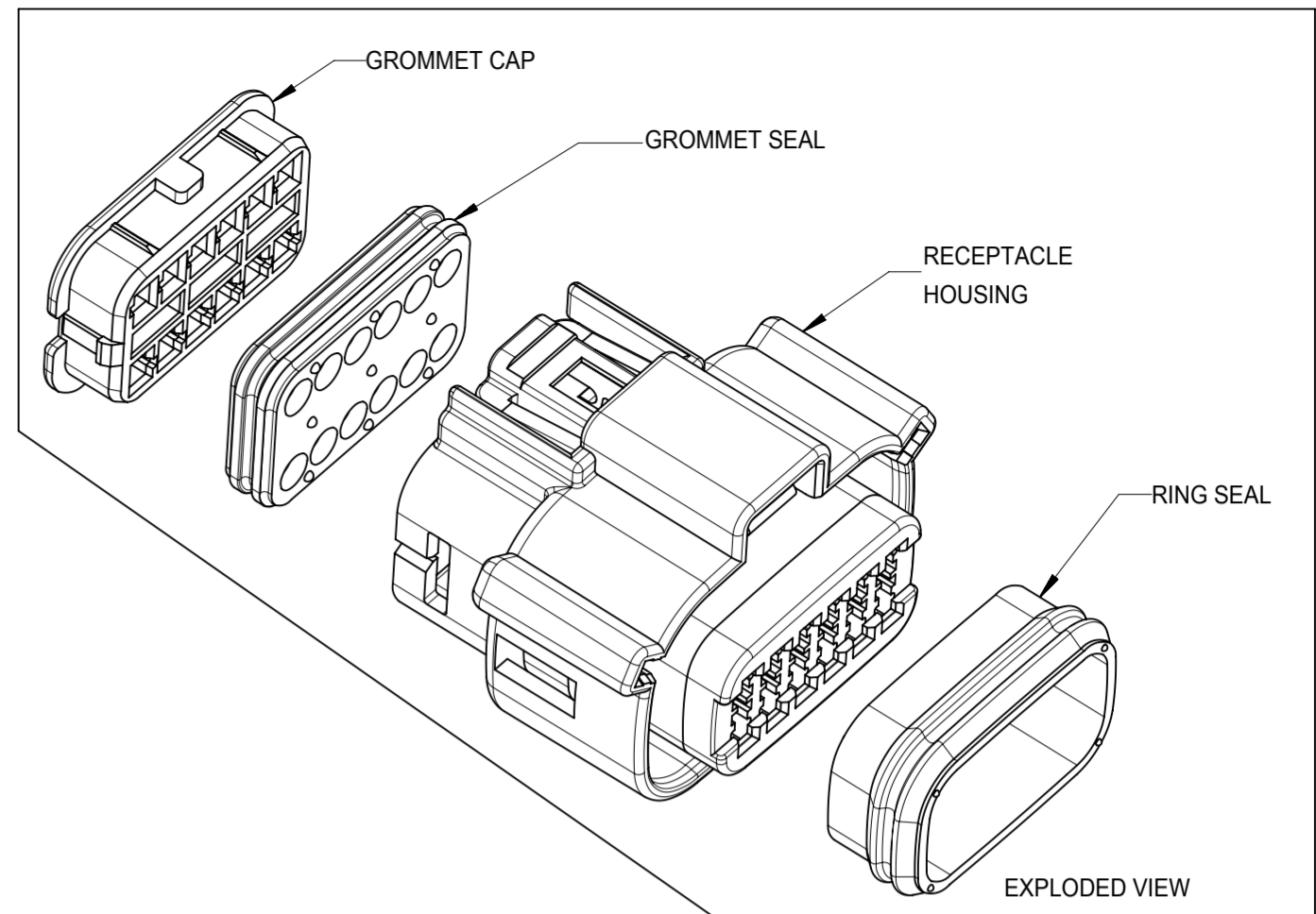


TABLE B

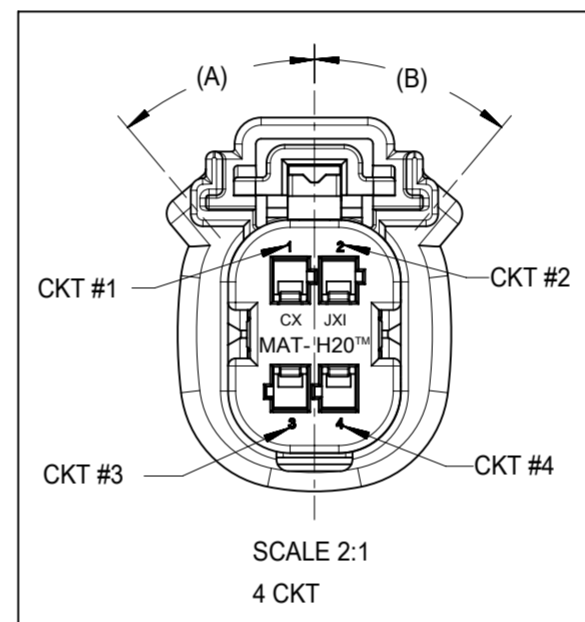
PART #	PART DESCRIPTION	MATERIAL	COLOR
367830009	GROMMET CAP	HB RATED 30% GALSS FILLED NYLON	RESIN: BLACK
367830010	RING SEAL	SILICON RUBBER	RUST RED
367830011	GROMMET SEAL	SILICON RUBBER	LIGHT BLUE
367830008	RECEPTACLE HOUSING	HB RATED 30% GALSS FILLED NYLON	RESIN: BLACK
367830022	RECEPTACLE HOUSING	HB RATED 30% GALSS FILLED NYLON	RESIN: GREY

TABLE A

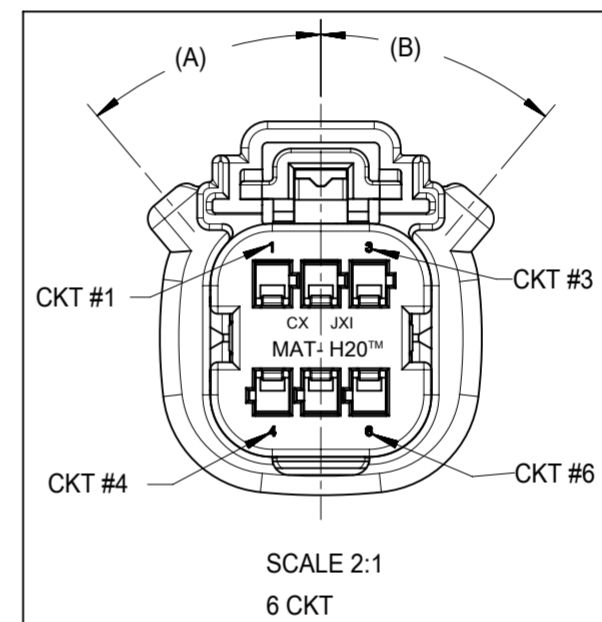
PART#	COLOR	CKT SIZE	KEYING DIMENSION		DIMENSION	TOOLING STATUS
			(A)	(B)		
367920401	BLACK	4	40°	40°	19.54	PROTO TOOLING AVAILABLE
367920601		6	40°	40°	22.87	TO BE TOOLED
367920801		8	60°	60°	27.89	TO BE TOOLED
367921001		10	60°	60°	31.59	TO BE TOOLED
367921201		12	60°	60°	34.89	PRODUCTION TOOLING AVAILABLE
367921206	GREY	12	60°	60°	34.89	PRODUCTION TOOLING AVAILABLE

NOTE:

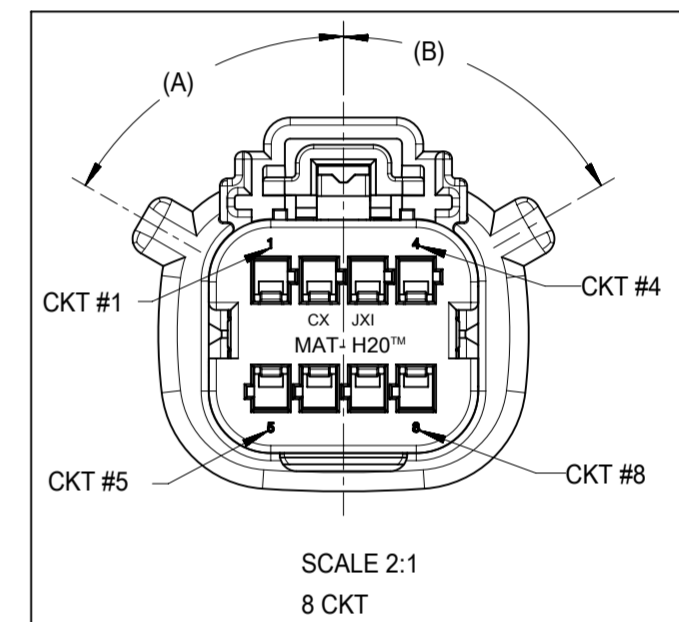
- MATERIAL: SEE TABLE B
- MATES WITH SERIES A) 36783
B) 36806
C) 36791
- USE WITH RECEPTACLE TERMINAL SERIES 36799
- COMPLY WITH PACKING SPECIFICATION PK-36783-002
- SHALL CONFIRM TO PRODUCT SPECIFICATION PS-36783-001
- MANUFACTURING DATE CODE WILL BE IDENTIFIED ON BAR CODE LABEL SHIPPED AGAINST EACH ORDER, PARTS WILL BE TRACED AGAINST THIS.
- FEMALE TERMINAL TO BE CRIMPED AND INSERTED INTO RECEPTACLE HOUSING.
- ALL DIMENSIONS SHOWN ARE APPLICABLE AS RECEIVED INTO CUSTOMER PLACE.
- MOLEX OWNS RESPONSIBILITY AS SHIPPED FROM MOLEX. ASSEMBLY OF RECEPTACLE ON TO MATING INLINE HARNESS ALONG WITH IT'S FUNCTIONALITY COMES UNDER CUSTOMER SCOPE.
- TO VOID THE REQUIRED CKT, CUSTOMER HAS TO USE CAVITY PLUG SERIES 36804, REFER DOCUMENT # AS-36783-001
- FOR PRODUCT TOOLING STATUS REFER TABLE A
- QUANTITY OF COMPONENTS PER RECEPTACLE ASSEMBLY WILL BE ONE EACH.



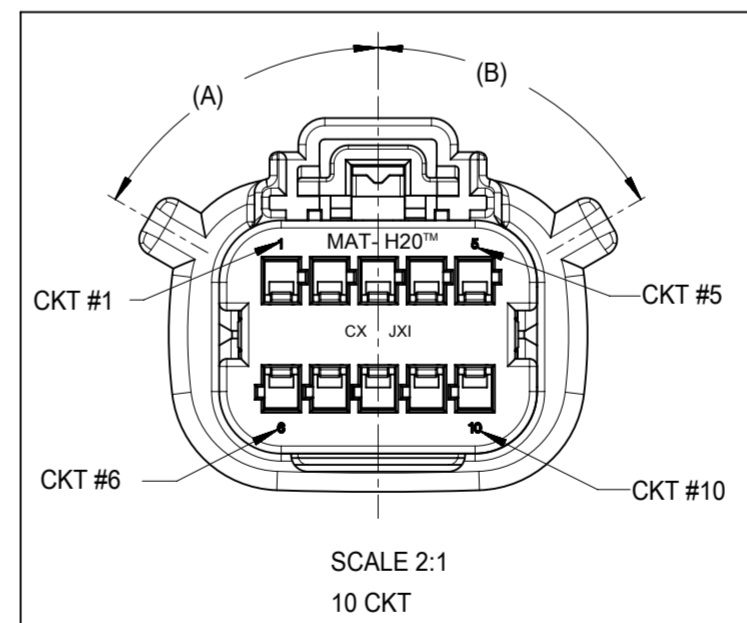
SCALE 2:1
4 CKT



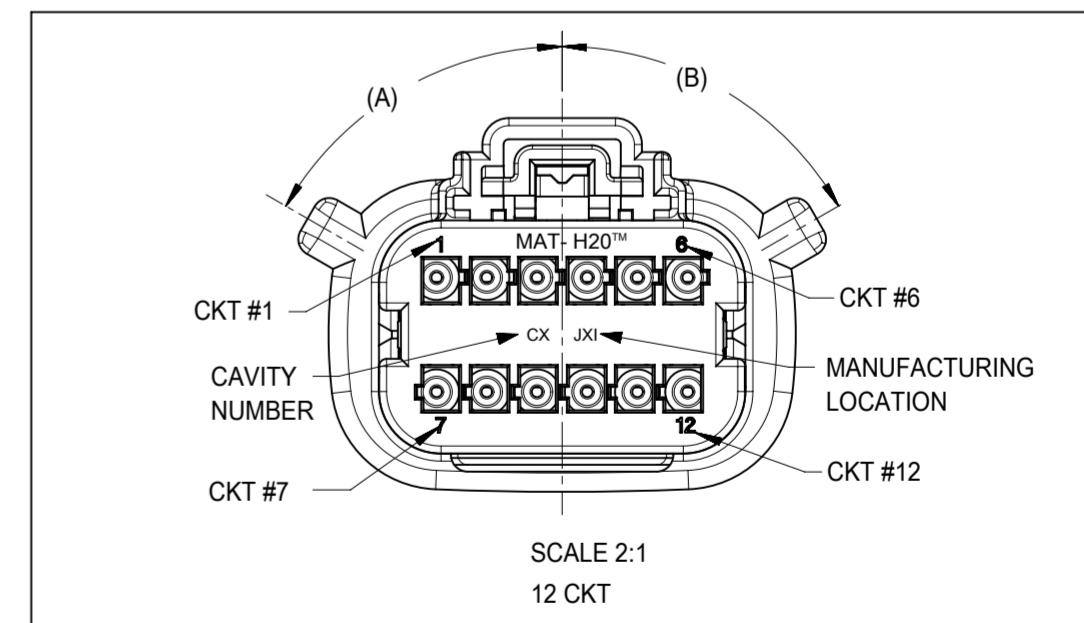
SCALE 2:1
6 CKT



SCALE 2:1
8 CKT



SCALE 2:1
10 CKT



SCALE 2:1
12 CKT

SYMBOLS		THIS DRAWING CONTAINS INFORMATION THAT IS PROPRIETARY TO MOLEX ELECTRONIC TECHNOLOGIES, LLC AND SHOULD NOT BE USED WITHOUT WRITTEN PERMISSION	
∅ = 0	mm	SCALE	1:1
∅ = 0	GENERAL TOLERANCES (UNLESS SPECIFIED)	CURRENT REV	DESC: MOLEX TRADE MARK 'MAT-H20' LOGO HAVE UPDATED
∅ = 0	ANGULAR TOL ± 0.5°	EC NO:	634933
∅ = 0	4 PLACES ±	DRWN:	RGV 2020/02/20
∅ = 0	3 PLACES ±	CHK'D:	RGV 2020/03/30
∅ = 0	2 PLACES ± 0.1	APPR:	SNAYAK01 2020/04/27
∅ = 0	1 PLACE ± 0.2	INITIAL REVISION:	
∅ = 0	0 PLACES ±	DRWN:	MPPETKAR 2012/07/12
∅ = 0	DRAFT WHERE APPLICABLE MUST REMAIN WITHIN DIMENSIONS	APPR:	VUTTARKAR 2012/07/17
∅ = 0	THIRD ANGLE PROJECTION	DRAWING	SERIES
		A2-SIZE	36792
DOCUMENT STATUS		P1	RELEASE DATE
P1		2020/04/27	11:38:25
DOCUMENT NUMBER		DOC TYPE	DOC PART
SD-36792-001		PSD	001
MATERIAL NUMBER		CUSTOMER	SHEET NUMBER
SEE TABLE - A		GENERAL MARKET	1 OF 1

molex

MX120G DUAL ROW
3.2 RECEPTACLE ASSY SEALED SYSTEM

PRODUCT CUSTOMER DRAWING

DOCUMENT NUMBER: SD-36792-001
DOC TYPE: PSD
DOC PART: 001
REVISION: A3

MATERIAL NUMBER: SEE TABLE - A
CUSTOMER: GENERAL MARKET
SHEET NUMBER: 1 OF 1