



产品编号 : [39000079](#)

Product Description : Mini-Fit Female Crimp Terminal, Tin (Sn) over Phosphor Bronze, 16, 18+22, 20+20, 20+22 AWG, Reel

系列号 : 5556

状态 : Active

Product Category : Crimp Terminals

工程编号 : 5556PBT3

Packaging Alternative : 0039000080 (Bag)



文件和资源

图纸

[图纸 039000079_sd.pdf](#)

[包装设计图 55560001-PK-000.pdf](#)

规格

[应用规格 55560001-AS-000.pdf](#)

[产品规格 55560002-PS-CH-000.pdf](#)

[产品规格 55560002-PS-ES-000.pdf](#)

[产品规格 55560002-PS-SK-000.pdf](#)

[产品规格 55560008-TS-000.pdf](#)

[产品规格 PS-5556-001-001.pdf](#)


[产品规格 PS-5556-002-001.pdf](#)

[测试摘要 55560010-TS-000.pdf](#)

[测试摘要 TS-5556-002-001.pdf](#)

产物环境合规

合规

GADSL/IMDS	Compliant with Exemption 44
China RoHS	
EU ELV	Not Relevant
Low-Halogen Status	Low-Halogen per IEC 61249-2-21
REACH SVHC	Not Contained per D(2023)3788-DC (14 Jun 2023)
EU RoHS	Compliant per EU 2015/863

多部分产品合规性声明

- Eu RoHS
- REACH SVHC
- Low-Halogen

多部分行业合规性文件

- IPC 1752A Class C
- IPC 1752A Class D
- Molex Product Compliance Declaration
- IEC-62474
- chemSHERPA (xml)

欧盟 RoHS 合格证书

产品详情

常规

状态	活动
类别	Crimp Terminals
系列	5556
说明	Mini-Fit Female Crimp Terminal, Tin (Sn) over Phosphor Bronze, 16, 18+22, 20+20, 20+22 AWG, Reel
应用	Power, Wire-to-Board, Wire-to-Wire
产品系列	Mini-Fit Family Power Connectors
产品名称	Mini-Fit
UPC	800753749986

电气

每触点最大电流	9.0A
电压 - 最大	600V

物理

耐用性(插拔次数) - 最多次数	30
性别	女
材料 - 金属	Phosphor Bronze
材料 - 接合部位电镀	Tin
材料 - 终端电镀	Tin
净重	192.000/mg

包装形式	Reel
最薄镀层 - 接合部位	0.889μm
最薄镀层 - 端接	0.914μm
终端界面类型	Crimp or Compression
导线绝缘直径	1.80-3.10mm
线径规格 (AWG)	16, 18+22, 20+20, 20+22
线缆尺寸mm ²	不适用

可连接使用部件

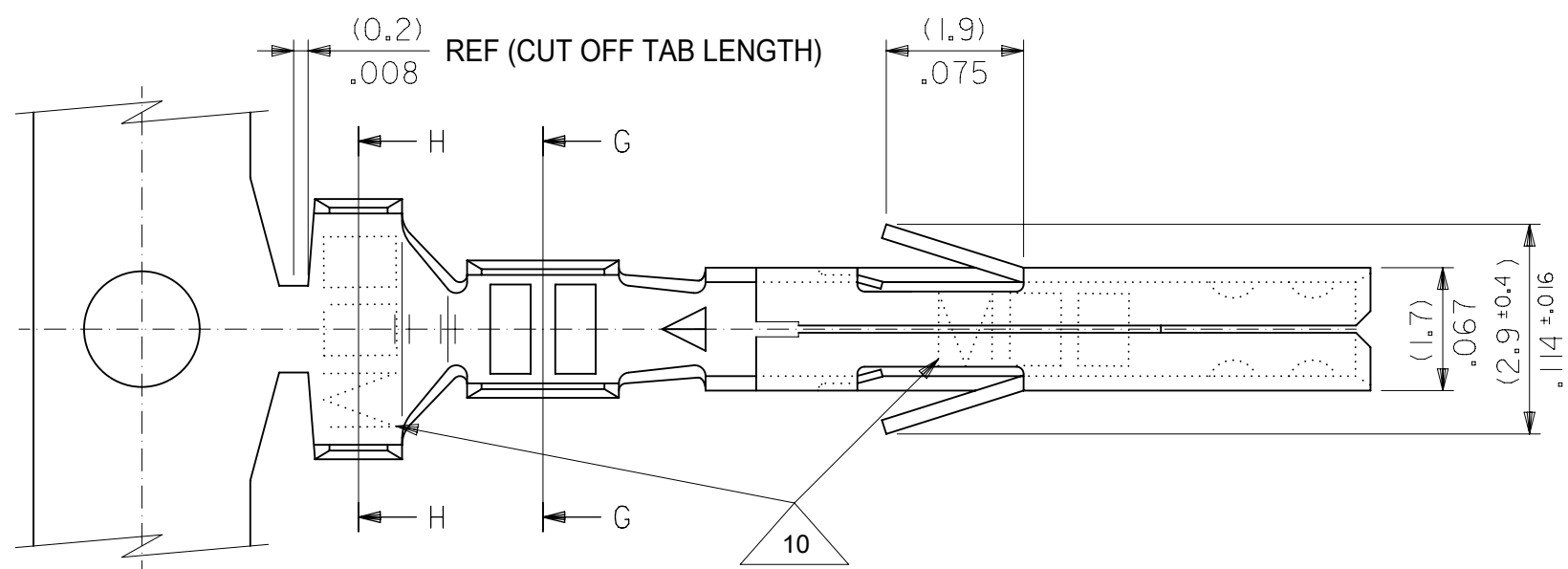
描述	产品编号
Mini-Fit Jr. Receptacle Housings	<u>5557</u>
Mini-Fit BMI Dual Row Receptacle Housings	<u>44516</u>
Mini-Fit BMI Dual Row Receptacle Housings	<u>42474</u>
Mini-Fit BMI Dual Row Receptacle Housings	<u>43760</u>

施工工具

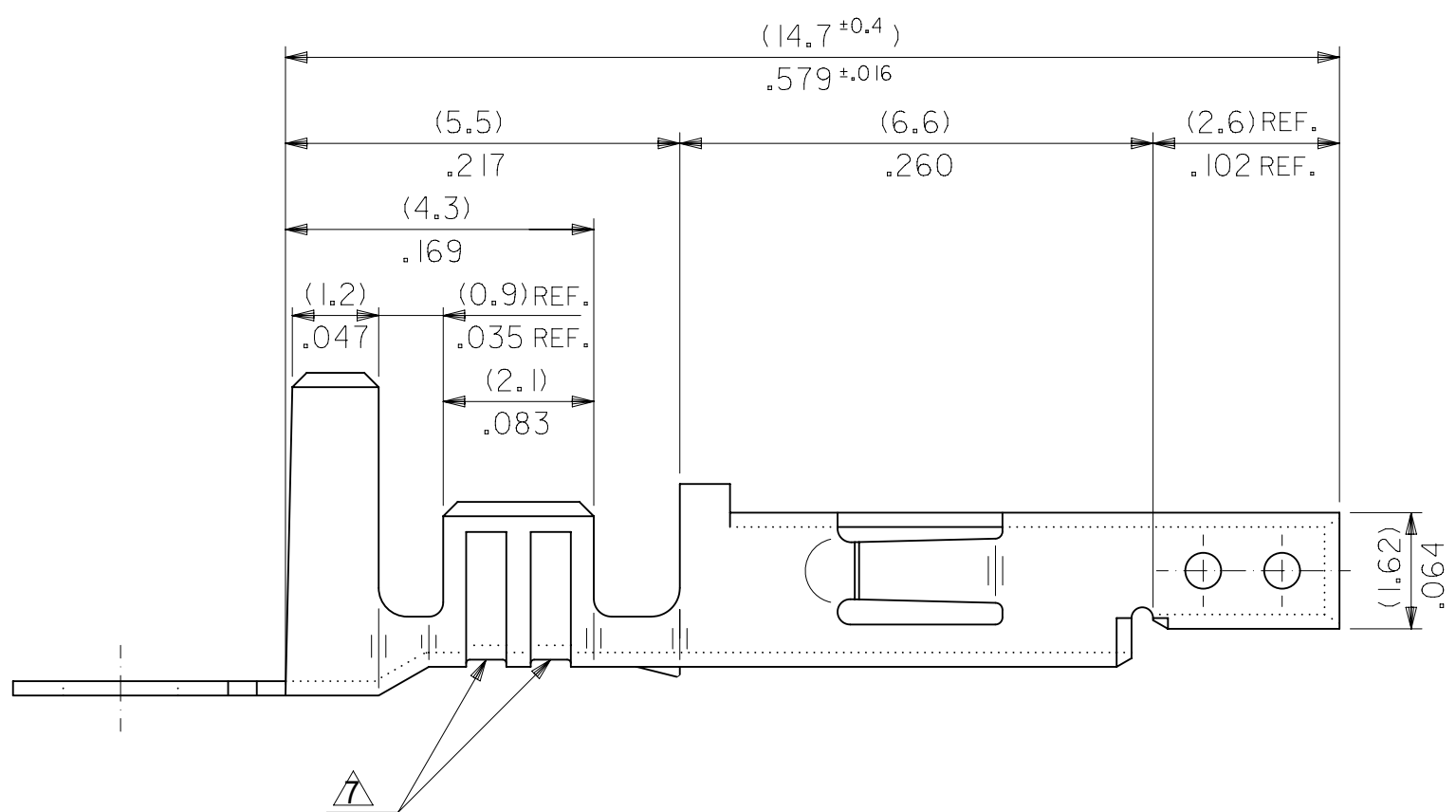
全局

描述	产品编号
Extraction Tool for Mini-Fit Jr. Terminals	<u>0011030044</u>
Hand Crimp Tool for Mini-Fit Jr. Male and Female Crimp Terminals, 16 AWG	<u>2002182200</u>
FineAdjust Applicator for Insulation OD 2.20-2.45mm, 16 AWG	<u>0639039400</u>
FineAdjust Applicator for Insulation OD 2.60-3.15mm, 16 AWG	<u>0639041400</u>
FineAdjust Applicator for Insulation OD 1.80-2.20mm, 16 AWG	<u>0639041500</u>
FineAdjust Crimp Applicator for Mini-Fit Double Crimp Terminals, 20+22, 20+20, and 18+22 AWG, UL 1007 Wires Only	<u>2037022100</u>
FineAdjust Crimp Applicator for Mini-Fit Double Crimp Terminals, 20+22, 20+20, and 18+22 AWG, UL 1061 Wires Only	<u>2037022200</u>

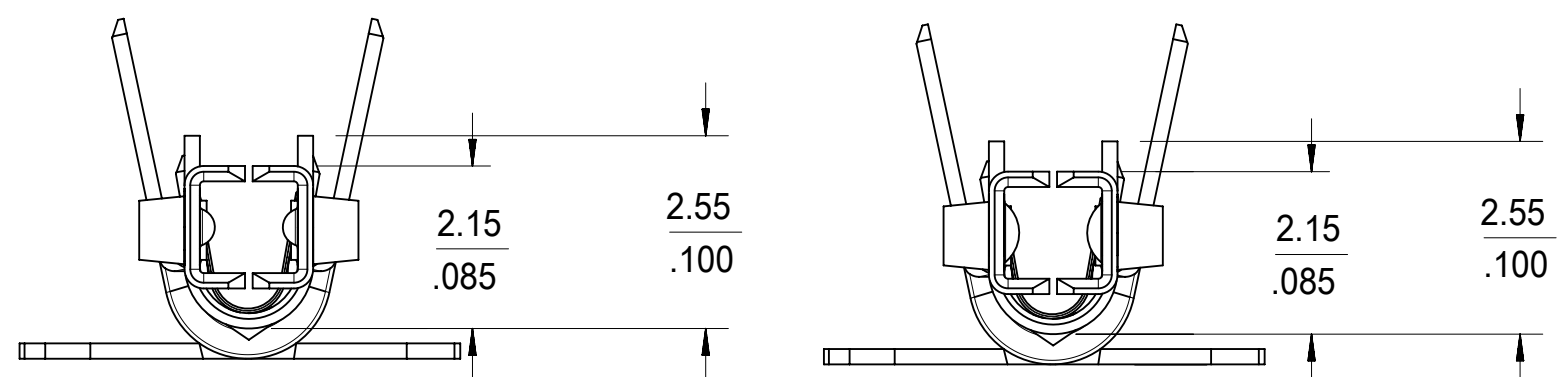
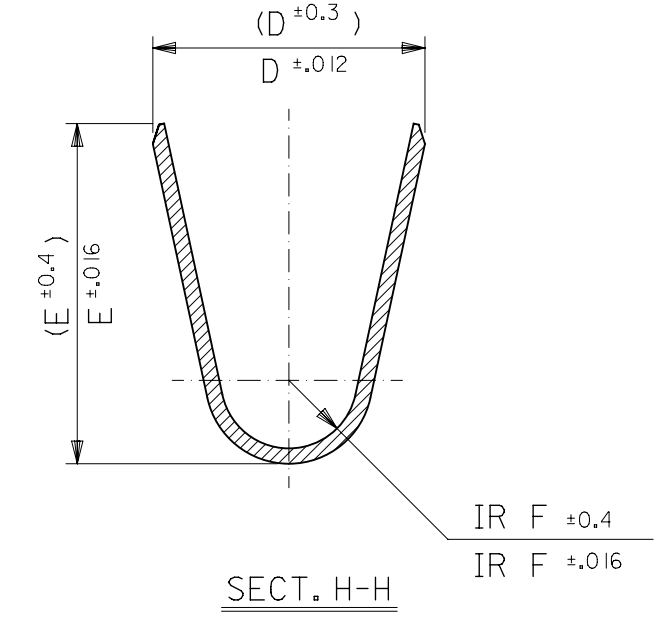
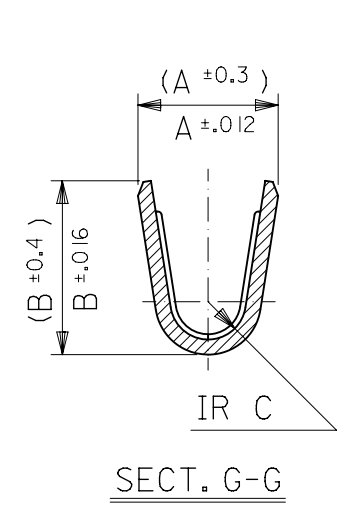
This document was generated on Jan 30, 2024



- NOTES
1. MATERIAL: SEE CHART.
 2. FINISH: SEE CHART.
 3. PRODUCT SPECIFICATION: PS-5556-001, PS-5556-002, PS-5556-003.
 4. PACKAGING SPECIFICATION: PK-5556-001 FOR CHAIN TERMINALS
PK-5556-003 FOR LOOSE TERMINALS.
 5. MATES WITH: 5558, 5566, 5569, 30069, 30070, 42440, 42404, 43879, 43810, 44068.
 6. APPLICABLE HOUSING: 5557, 30067, 44516, OR 42474.
 7. THE NUMBER OF SERRATIONS TO BE ONE FOR WIRE RANGE #22-28.
 8. WHEN TERMINALS ARE INSTALLED IN THE HOUSING THE WIRES ARE TO BE DRESSED IN SUCH A MANNER TO ALLOW THE TERMINALS TO FLOAT FREELY IN THE POCKET.
 9. PART CONFORMS TO CLASS "B" REQUIREMENTS OF COSMETIC SPECIFICATION PS-45499-002.
 10. TEXT ON PART IS FOR REFERENCE ONLY. TEXT AND TEXT LOCATION MAY VARY DEPENDING ON PART NUMBER AND/OR TOOL.



#18-24 TERMINAL SHOWN



CONTACT DIMPLE CONFIGURATIONS

THIS DRAWING CONTAINS INFORMATION THAT IS PROPRIETARY TO MOLEX ELECTRONIC TECHNOLOGIES, LLC AND SHOULD NOT BE USED WITHOUT WRITTEN PERMISSION									
SYMBOLS	DIMENSION UNITS		SCALE		CURRENT REV DESC:				
	IN/MM		10:1						
∇ = 0	GENERAL TOLERANCES (UNLESS SPECIFIED)				EC NO: 660823 DRWN: HPAN18 2021/04/14 CHK'D: YXZHENG 2021/04/14 APPR: YXZHENG 2021/04/14 INITIAL REVISION: DRWN: HIRAMOTO 1991/05/18 APPR: FSMITH 2011/02/21				
∇ = 0	MM	INCH							
S = 0	4 PLACES	±							
∇ = 0	3 PLACES	±	0.008						
∇ = 0	2 PLACES	±	0.2	0.008					
∇ = 0	1 PLACE	±	0.2						
∇ = 0	0 PLACES	±			DRWN: HIRAMOTO 1991/05/18 APPR: FSMITH 2011/02/21				
∇ = 0	ANGULAR TOL		± 3.0 °		THIRD ANGLE PROJECTION DRAWING SERIES C-SIZE 5556				
∇ = 0	DRAFT WHERE APPLICABLE MUST REMAIN WITHIN DIMENSIONS				MATERIAL NUMBER CUSTOMER SHEET NUMBER SEE CHART GENERAL MARKET 1 OF 2				

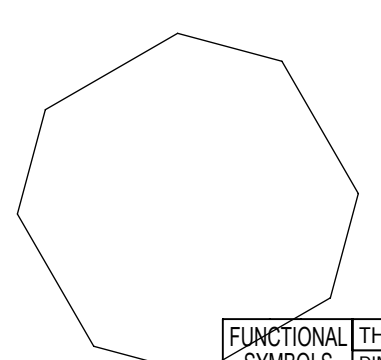
molex

MINI FIT JR OVERALL TIN
FEMALE CRIMP TERMINAL

PRODUCT CUSTOMER DRAWING

DOCUMENT NUMBER	DOC TYPE	DOC PART	REVISION
55560000-SD	PSD	000	A3

REFLOWED MATTE TIN 0.00090/(.000035) MIN. (PREPLATE) (FINISH IS BRIGHT IN APPEARANCE, THICKNESS AS APPLIED PRIOR TO REFLOW)	PHOS BRONZE	(0.9) .035	(4.5) .177	(3.6) .142	(0.6) .024	(2.7) .106	(2.3) .091	∅ (3.1) .122 MAX.	16	N/A	39-00-0080	5556 PBT3L	LOOSE	
		(0.6) .024	(2.3) .091	(2.3) .091	(0.4) .016	(1.65) .065	(1.8) .071	∅ (0.9-1.8) .035-.071	22-28	20+22	-0079	PBT3	CHAIN	
		(0.9) .035	(4.5) .177	(3.6) .142	(0.5) .020	(2.3) .091	(1.9) .075	∅ (1.3-3.1) .051-.122	18-24	18+22	-0066	PBT2L	LOOSE	
		(0.6) .024	(2.3) .091	(2.3) .091	(0.4) .016	(1.65) .065	(1.8) .071	∅ (0.9-1.8) .035-.071	22-28	20+20	-0065	PBT2	CHAIN	
		(0.9) .035	(4.5) .177	(3.6) .142	(0.5) .020	(2.3) .091	(1.9) .075	∅ (1.3-3.1) .051-.122	18-24	N/A	-0060	PBTL	LOOSE	
		(0.6) .024	(2.3) .091	(2.3) .091	(0.4) .016	(1.65) .065	(1.8) .071	∅ (0.9-1.8) .035-.071	22-28	22+22	-0059	PBT	CHAIN	
REFLOWED MATTE TIN 0.00090/(.000035) MIN. OVER COPPER 0.00050/(.000020) MIN. (PREPLATE) (FINISH IS BRIGHT IN APPEARANCE, THICKNESS AS APPLIED PRIOR TO REFLOW)	BRASS	(0.9) .035	(4.5) .177	(3.6) .142	(0.6) .024	(2.7) .106	(2.3) .091	∅ (3.1) .122 MAX.	16	N/A	-0078	T3L	LOOSE	
		(0.6) .024	(2.3) .091	(2.3) .091	(0.4) .016	(1.65) .065	(1.8) .071	∅ (0.9-1.8) .035-.071	22-28	20+22	-0077	T3	CHAIN	
		(0.9) .035	(4.5) .177	(3.6) .142	(0.5) .020	(2.3) .091	(1.9) .075	∅ (1.3-3.1) .051-.122	18-24	18+22	-0047	T2L	LOOSE	
		(0.6) .024	(2.3) .091	(2.3) .091	(0.4) .016	(1.65) .065	(1.8) .071	∅ (0.9-1.8) .035-.071	22-28	20+20	-0046	T2	CHAIN	
		(0.9) .035	(4.5) .177	(3.6) .142	(0.5) .020	(2.3) .091	(1.9) .075	∅ (1.3-3.1) .051-.122	18-24	N/A	-0039	TL	LOOSE	
		(0.6) .024	(2.3) .091	(2.3) .091	(0.4) .016	(1.65) .065	(1.8) .071	∅ (0.9-1.8) .035-.071	22-28	22+22	39-00-0038	5556 T	CHAIN	
PLATING	MATERIAL	F	E	D	C	B	A	INS. RANGE	SINGLE WIRE	DOUBLE WIRE	EDP NO.	ENG. NO.	FORM	
									WIRE AWG RANGE					



THIS DRAWING CONTAINS INFORMATION THAT IS PROPRIETARY TO MOLEX ELECTRONIC TECHNOLOGIES, LLC AND SHOULD NOT BE USED WITHOUT WRITTEN PERMISSION											
FUNCTIONAL SYMBOLS		DIMENSION UNITS		SCALE		CURRENT REV DESC:					
FA = 0		mm		1:1		EC NO: 660823					
FC = 0		GENERAL TOLERANCES (UNLESS SPECIFIED)						DRWN: HPAN18		2021/04/14	
FP = 0		ANGULAR TOL ± 3.0°						CHK'D: YXZHENG		2021/04/14	
DIVISIONAL SYMBOLS		4 PLACES ±		APPR: YXZHENG						2021/04/14	
		3 PLACES ±		INITIAL REVISION:						DOCUMENT NUMBER	
		2 PLACES ± 0.2		DRWN: AZAHIROVIC						55560000-SD	
		1 PLACE ± 0.2		APPR: FSMITH						PSD 000 A3	
		0 PLACES ±		DRAFT WHERE APPLICABLE MUST REMAIN WITHIN DIMENSIONS		THIRD ANGLE PROJECTION		DRAWING		SERIES	
						C-SIZE		5556		MATERIAL NUMBER	
								GENERAL MARKET		CUSTOMER	
										SHEET NUMBER	
										2 OF 2	