



产品编号 : [39000217](#)

Product Description : Mini-Fit Female Crimp Terminal, Tin (Sn) over Phosphor Bronze, 16 AWG, Reel

系列号 : 5556

状态 : Active

Product Category : Crimp Terminals

工程编号 : 5556-PBS3P

Packaging Alternative : 0039000218 (Bag)



---

## 文件和资源

### 图纸

[图纸 039000217\\_sd.pdf](#)

[包装设计图 55560001-PK-000.pdf](#)

### 规格

[应用规格 55560001-AS-000.pdf](#)

[产品规格 55560002-PS-CH-000.pdf](#)

[产品规格 55560002-PS-ES-000.pdf](#)

[产品规格 55560002-PS-SK-000.pdf](#)

[产品规格 55560008-TS-000.pdf](#)

[产品规格 PS-5556-001-001.pdf](#)

[产品规格 PS-5556-002-001.pdf](#)


[测试摘要 55560010-TS-000.pdf](#)

[测试摘要 TS-5556-002-001.pdf](#)

---

## 产物环境合规

### 合规

GADSL/IMDS	Compliant with Exemption 33; 44
China RoHS	
EU ELV	Compliant per 2000/53/EC
Low-Halogen Status	Low-Halogen per IEC 61249-2-21
REACH SVHC	Not Contained per D(2023)3788-DC (14 Jun 2023)
EU RoHS	Compliant per EU 2015/863

## 多部分产品合规性声明

- Eu RoHS
- REACH SVHC
- Low-Halogen

## 多部分行业合规性文件

- IPC 1752A Class C
- IPC 1752A Class D
- Molex Product Compliance Declaration
- IEC-62474
- chemSHERPA (xml)

## 欧盟 RoHS 合格证书

---

## 产品详情

### 常规

状态	活动
类别	Crimp Terminals
系列	5556
说明	Mini-Fit Female Crimp Terminal, Tin (Sn) over Phosphor Bronze, 16 AWG, Reel
应用	Power, Wire-to-Board, Wire-to-Wire
产品系列	Mini-Fit Family Power Connectors
产品名称	Mini-Fit
UPC	800755527940

### 电气

每触点最大电流	9.0A
电压 - 最大	600V

### 物理

耐用性(插拔次数) - 最多次数	30
性别	女
材料 - 金属	Phosphor Bronze
材料 - 接合部位电镀	Tin
材料 - 终端电镀	Tin
净重	0.133/g

包装形式	Reel
最薄镀层 - 接合部位	2.540µm
最薄镀层 - 端接	1.270µm
终端界面类型	Crimp or Compression
导线绝缘直径	1.80-3.10mm
线径规格 (AWG)	16
线缆尺寸mm <sup>2</sup>	不适用

## 进程

无铅	不适用
----	-----

## 可连接使用部件

描述	产品编号
Mini-Fit Jr. Receptacle Housings	<u>5557</u>
Mini-Fit BMI Dual Row Receptacle Housings	<u>44516</u>
Mini-Fit BMI Dual Row Receptacle Housings	<u>42474</u>
Mini-Fit BMI Dual Row Receptacle Housings	<u>43760</u>

## 施工工具

### 全局

描述	产品编号
Extraction Tool for Mini-Fit Jr. Terminals	<u>0011030044</u>
Hand Crimp Tool for Mini-Fit Jr. Male and Female Crimp Terminals, 16 AWG	<u>2002182200</u>
FineAdjust Applicator for Insulation OD 2.20-2.45mm, 16 AWG	<u>0639039400</u>
FineAdjust Applicator for Insulation OD 2.60-3.15mm, 16 AWG	<u>0639041400</u>
FineAdjust Applicator for Insulation OD 1.80-2.20mm, 16 AWG	<u>0639041500</u>
FineAdjust Crimp Applicator for Mini-Fit Double Crimp Terminals, 20+22, 20+20, and 18+22 AWG, UL 1007 Wires Only	<u>2037022100</u>

FineAdjust Crimp Applicator for Mini-Fit Double Crimp Terminals, 20+22, 20+20, and 18+22 AWG, UL 1061 Wires Only	<u>2037022200</u>
---	-------------------

---

This document was generated on Jan 30, 2024

PART NO.	ENG. NO.	MAT'L.	PLATE	WIRE GAGE	DIM. "B"	DIM. "C"	DIM. "D"	DIM. "E"	DIM. "F"	DIM. "G"
39-00-0207	5556-SP	A BRASS	TIN	18-24 GA.	.142±.012 (3.60±0.30)	.177±.016 (4.50±0.40)	.035 ±.016 (0.90)±0.40	.075±.012 (1.90±0.30)	.091±.016 (2.30±0.40)	.020 (0.50)
39-00-0208	5556-SPL			22-28 GA.	.091±.012 (2.30±0.30)	.091±.016 (2.30±0.40)	.024 ±.016 (0.60)±0.40	.071±.012 (1.80±0.30)	.065±.016 (1.65±0.40)	.016 (0.40)
39-00-0209	5556-S2P			16 GA.	.142±.012 (3.60±0.30)	.177±.016 (4.50±0.40)	.035 ±.016 (0.90)±0.40	.091±.012 (2.30±0.30)	.106±.016 (2.70±0.40)	.024 (0.60)
39-00-0210	5556-S2PL				.142±.012 (3.60±0.30)	.177±.016 (4.50±0.40)	.035 ±.016 (0.90)±0.40	.091±.012 (2.30±0.30)	.106±.016 (2.70±0.40)	.024 (0.60)
39-00-0211	5556-S3P				.142±.012 (3.60±0.30)	.177±.016 (4.50±0.40)	.035 ±.016 (0.90)±0.40	.091±.012 (2.30±0.30)	.106±.016 (2.70±0.40)	.024 (0.60)
39-00-0212	5556-S3PL	B PHOS BRONZE	TIN	18-24 GA.	.142±.012 (3.60±0.30)	.177±.016 (4.50±0.40)	.035 ±.016 (0.90)±0.40	.075±.012 (1.90±0.30)	.091±.016 (2.30±0.40)	.020 (0.50)
39-00-0213	5556-PBSP			22-28 GA.	.091±.012 (2.30±0.30)	.091±.016 (2.30±0.40)	.024 ±.016 (0.60)±0.40	.071±.012 (1.80±0.30)	.065±.016 (1.65±0.40)	.016 (0.40)
39-00-0214	5556-PBSPL			16 GA.	.142±.012 (3.60±0.30)	.177±.016 (4.50±0.40)	.035 ±.016 (0.90)±0.40	.091±.012 (2.30±0.30)	.106±.016 (2.70±0.40)	.024 (0.60)
39-00-0215	5556-PBS2P				.142±.012 (3.60±0.30)	.177±.016 (4.50±0.40)	.035 ±.016 (0.90)±0.40	.091±.012 (2.30±0.30)	.106±.016 (2.70±0.40)	.024 (0.60)
39-00-0216	5556-PBS2PL				.142±.012 (3.60±0.30)	.177±.016 (4.50±0.40)	.035 ±.016 (0.90)±0.40	.091±.012 (2.30±0.30)	.106±.016 (2.70±0.40)	.024 (0.60)
39-00-0217	5556-PBS3P			.142±.012 (3.60±0.30)	.177±.016 (4.50±0.40)	.035 ±.016 (0.90)±0.40	.091±.012 (2.30±0.30)	.106±.016 (2.70±0.40)	.024 (0.60)	
39-00-0218	5556-PBS3PL									

**LEGEND:**

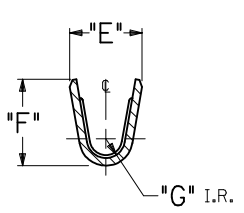
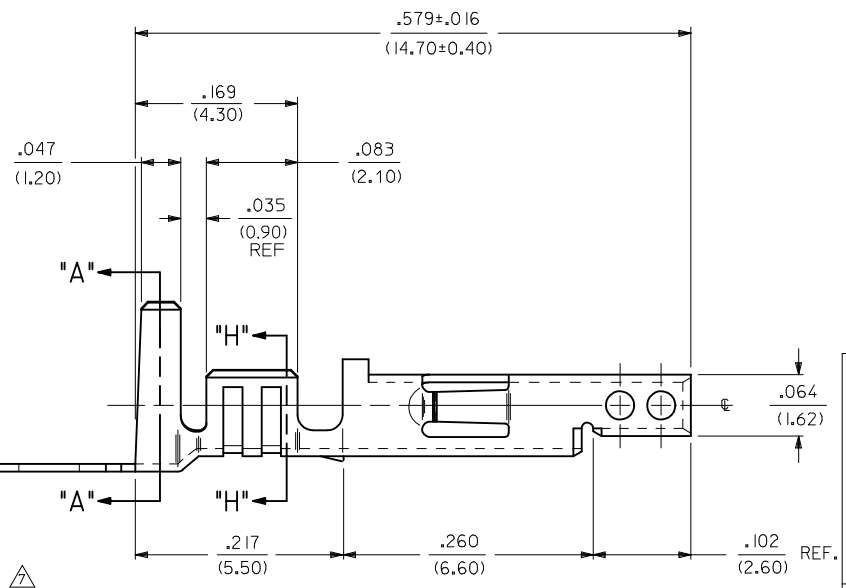
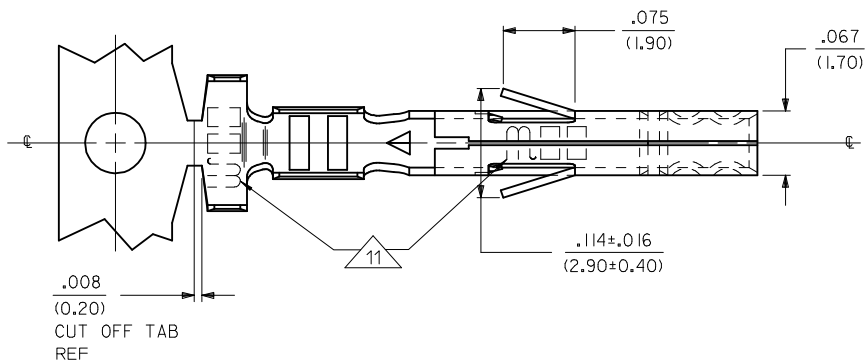
5556 - \*\* S \* P \*

BASE NO. \_\_\_\_\_  
MATERIAL \_\_\_\_\_  
BLANK= BRASS  
PB= PHOS. BRONZE  
S= TIN OVER NICKEL  
PLATING & CRIMP SIZE COMB. \_\_\_\_\_  
BLANK THRU 5

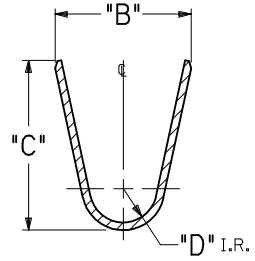
CHAIN OR LOOSE \_\_\_\_\_  
BLANK= CHAIN  
L= LOOSE

**NOTES**

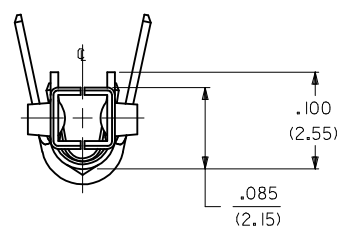
- MATERIAL:  
A= BRASS  
B= PHOS. BRONZE
- FINISH:  
TIN = .000100/(.00254) MIN BRIGHT TIN OVER .000050/(.00127)MIN. NICKEL
- PRODUCT SPECIFICATION: PS-5556-001, PS-5556-002, PS-5556-003.
- PACKAGING SPECIFICATION: PK-5556-001 FOR CHAIN TERMINALS  
PK-5556-003 FOR LOOSE TERMINALS.
- MATES WITH: 5558, 5566, 5569, 30069, 30070, 42440, 42404, 43879, 43810, 44068.
- APPLICABLE HOUSINGS: 5557, 30067, 43760, 44516, OR 42474.
- THE NUMBER OF SERRATIONS TO BE ONE FOR WIRE RANGE #22-28.
- WHEN TERMINALS ARE INSTALLED IN THE HOUSING THE WIRES ARE TO BE DRESSED IN SUCH A MANNER TO ALLOW THE TERMINALS TO FLOAT FREELY IN THE POCKET.
- THIS TERMINAL IS DESIGNED FOR SINGLE WIRE CRIMPING.
- PART CONFORMS TO CLASS "B" REQUIREMENTS OF COSMETIC SPECIFICATION PS-45499-002.
- TEXT ON PART IS FOR REFERENCE ONLY. TEXT AND TEXT LOCATION MAY VARY DEPENDING ON PART NUMBER AND/OR TOOL.



**SECT. "H-H"**



**SECT. "A-A"**



<b>ADD NOTE 11</b> EC NO: UCP2017-2202 DRAWN: SLAFTER 2017/04/05 CHKD: J.BELL 2017/04/05 APPR: F.S.MITH 2017/09/29	QUALITY SYMBOLS ∇=0 ∇=0 ∇=0	GENERAL TOLERANCES (UNLESS SPECIFIED)		DIMENSION STYLE <b>IN/MM</b>		SCALE INCH	DESIGN UNITS INCH	THIRD ANGLE PROJECTION	
		mm	INCH	DRAWN BY	DATE	TITLE <b>MINI FIT JR OVERALL BRIGHT TIN OVER NICKEL FEMALE CRIMP TERMINAL</b>			
		ANGULAR ±1/2° DRAFT WHERE APPLICABLE MUST REMAIN WITHIN DIMENSIONS		MATERIAL NO.	DATE	<b>molex</b>			
SEE CHART		APPROVED BY RAS 5/17/1990		DOCUMENT NO. <b>SD-5556-SP*</b>		SHEET NO. <b>1 OF 1</b>			
THIS DRAWING CONTAINS INFORMATION THAT IS PROPRIETARY TO MOLEX INCORPORATED AND SHOULD NOT BE USED WITHOUT WRITTEN PERMISSION									

PART NO.	ENG. NO.	MAT'L.	PLATE	WIRE GAGE	DIM. "B"	DIM. "C"	DIM. "D"	DIM. "E"	DIM. "F"	DIM. "G"
39-00-0207	5556-SP	A BRASS	TIN	18-24 GA.	.142±.012 (3.60±0.30)	.177±.016 (4.50±0.40)	.035 ±.016 (0.90)±0.40	.075±.012 (1.90±0.30)	.091±.016 (2.30±0.40)	.020 (0.50)
39-00-0208	5556-SPL				.091±.012 (2.30±0.30)	.091±.016 (2.30±0.40)	.024 ±.016 (0.60)±0.40	.071±.012 (1.80±0.30)	.065±.016 (1.65±0.40)	.016 (0.40)
39-00-0209	5556-S2P			16 GA.	.142±.012 (3.60±0.30)	.177±.016 (4.50±0.40)	.035 ±.016 (0.90)±0.40	.091±.012 (2.30±0.30)	.106±.016 (2.70±0.40)	.024 (0.60)
39-00-0210	5556-S2PL				.091±.012 (2.30±0.30)	.091±.016 (2.30±0.40)	.024 ±.016 (0.60)±0.40	.071±.012 (1.80±0.30)	.065±.016 (1.65±0.40)	.016 (0.40)
39-00-0211	5556-S3P				.142±.012 (3.60±0.30)	.177±.016 (4.50±0.40)	.035 ±.016 (0.90)±0.40	.091±.012 (2.30±0.30)	.106±.016 (2.70±0.40)	.024 (0.60)
39-00-0212	5556-S3PL	B PHOS BRONZE	TIN	18-24 GA.	.142±.012 (3.60±0.30)	.177±.016 (4.50±0.40)	.035 ±.016 (0.90)±0.40	.075±.012 (1.90±0.30)	.091±.016 (2.30±0.40)	.020 (0.50)
39-00-0213	5556-PBSP				.091±.012 (2.30±0.30)	.091±.016 (2.30±0.40)	.024 ±.016 (0.60)±0.40	.071±.012 (1.80±0.30)	.065±.016 (1.65±0.40)	.016 (0.40)
39-00-0214	5556-PBSPL			16 GA.	.142±.012 (3.60±0.30)	.177±.016 (4.50±0.40)	.035 ±.016 (0.90)±0.40	.091±.012 (2.30±0.30)	.106±.016 (2.70±0.40)	.024 (0.60)
39-00-0215	5556-PBS2P				.091±.012 (2.30±0.30)	.091±.016 (2.30±0.40)	.024 ±.016 (0.60)±0.40	.071±.012 (1.80±0.30)	.065±.016 (1.65±0.40)	.016 (0.40)
39-00-0216	5556-PBS2PL				.142±.012 (3.60±0.30)	.177±.016 (4.50±0.40)	.035 ±.016 (0.90)±0.40	.091±.012 (2.30±0.30)	.106±.016 (2.70±0.40)	.024 (0.60)
39-00-0217	5556-PBS3P			16 GA.	.091±.012 (2.30±0.30)	.091±.016 (2.30±0.40)	.024 ±.016 (0.60)±0.40	.071±.012 (1.80±0.30)	.065±.016 (1.65±0.40)	.016 (0.40)
39-00-0218	5556-PBS3PL	.142±.012 (3.60±0.30)	.177±.016 (4.50±0.40)		.035 ±.016 (0.90)±0.40	.091±.012 (2.30±0.30)	.106±.016 (2.70±0.40)	.024 (0.60)		

**LEGEND:**

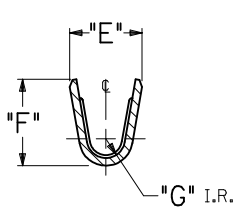
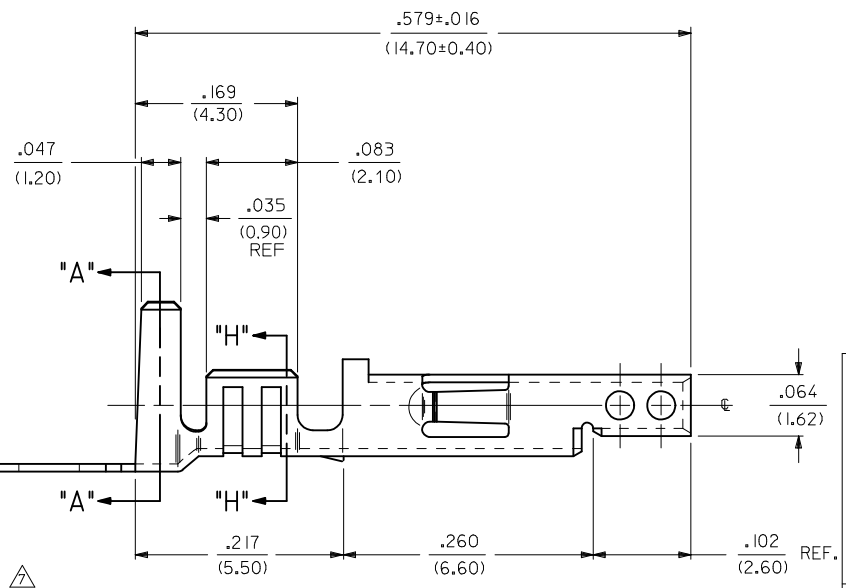
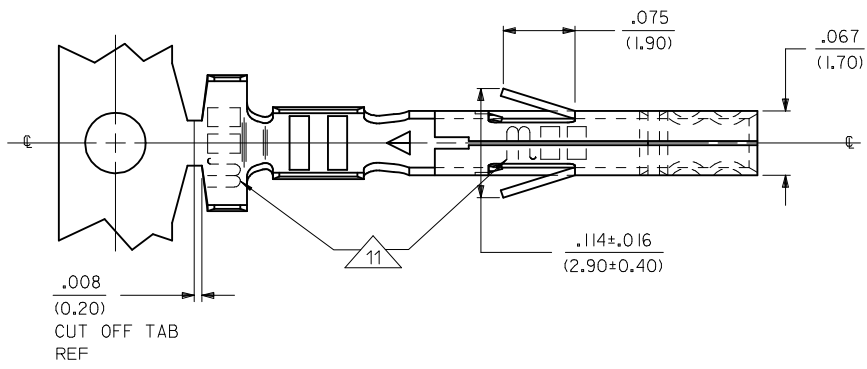
5556 - \*\* S \* P \*

BASE NO. \_\_\_\_\_  
MATERIAL \_\_\_\_\_  
BLANK= BRASS  
PB= PHOS. BRONZE  
S= TIN OVER NICKEL  
PLATING & CRIMP SIZE COMB. \_\_\_\_\_  
BLANK THRU 5

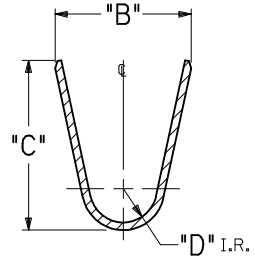
CHAIN OR LOOSE \_\_\_\_\_  
BLANK= CHAIN  
L= LOOSE

**NOTES**

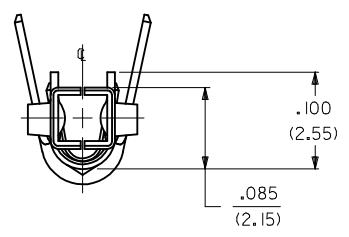
- MATERIAL:  
A= BRASS  
B= PHOS. BRONZE
- FINISH:  
TIN = .000100/(.00254) MIN BRIGHT TIN OVER .000050/(.00127)MIN. NICKEL
- PRODUCT SPECIFICATION: PS-5556-001, PS-5556-002, PS-5556-003.
- PACKAGING SPECIFICATION: PK-5556-001 FOR CHAIN TERMINALS  
PK-5556-003 FOR LOOSE TERMINALS.
- MATES WITH: 5558, 5566, 5569, 30069, 30070, 42440, 42404, 43879, 43810, 44068.
- APPLICABLE HOUSINGS: 5557, 30067, 43760, 44516, OR 42474.
- THE NUMBER OF SERRATIONS TO BE ONE FOR WIRE RANGE #22-28.
- WHEN TERMINALS ARE INSTALLED IN THE HOUSING THE WIRES ARE TO BE DRESSED IN SUCH A MANNER TO ALLOW THE TERMINALS TO FLOAT FREELY IN THE POCKET.
- THIS TERMINAL IS DESIGNED FOR SINGLE WIRE CRIMPING.
- PART CONFORMS TO CLASS "B" REQUIREMENTS OF COSMETIC SPECIFICATION PS-45499-002.
- TEXT ON PART IS FOR REFERENCE ONLY. TEXT AND TEXT LOCATION MAY VARY DEPENDING ON PART NUMBER AND/OR TOOL.



**SECT. "H-H"**



**SECT. "A-A"**



<b>ADD NOTE 11</b> EC NO: UCP2017-2202 DRAWN: SLAFTER 2017/04/05 CHKD: J.BELL 2017/04/05 APPR: F.S.MITH 2017/09/29 F3	QUALITY SYMBOLS ∇=0 ∇=0 ∇=0	GENERAL TOLERANCES (UNLESS SPECIFIED)		DIMENSION STYLE IN/MM		SCALE INCH	DESIGN UNITS INCH	THIRD ANGLE PROJECTION	
		mm	INCH	DRAWN BY	DATE	TITLE <b>MINI FIT JR OVERALL BRIGHT TIN OVER NICKEL FEMALE CRIMP TERMINAL</b>			
		4 PLACES ± --- ± ---	3 PLACES ± --- ± .010	2 PLACES ± 0.25 ± .014	1 PLACE ± 0.36 ± ---	0 PLACE ± ±	APPROVED BY	DATE	<b>molex</b>
ANGULAR ±1/2° DRAFT WHERE APPLICABLE MUST REMAIN WITHIN DIMENSIONS		MATERIAL NO. <b>SEE CHART</b>		DOCUMENT NO. <b>SD-5556-SP*</b>		SHEET NO. <b>1 OF 1</b>			
THIS DRAWING CONTAINS INFORMATION THAT IS PROPRIETARY TO MOLEX INCORPORATED AND SHOULD NOT BE USED WITHOUT WRITTEN PERMISSION									