

产品编号 : 39000221

Product Description : Mini-Fit Male Crimp Terminal, Phosphor Bronze, Gold (Au), 22-28 AWG, Reel

系列号 : 5558

状态 : Active

Product Category : Crimp Terminals

工程编号 : 5558PBGS2

Packaging Alternative : 0039000222 (Bag)



## 文件和资源

### 图纸

[图纸 039000221\\_sd.pdf](#)

[包装设计图 55580001-PK-000.pdf](#)

### 规格

[应用规格 55560001-AS-000.pdf](#)

[产品规格 55560002-PS-ES-000.pdf](#)

[产品规格 PS-5556-002-001.pdf](#)

[产品规格 55560002-PS-CH-000.pdf](#)

[产品规格 55560002-PS-SK-000.pdf](#)


[产品规格 PS-5556-001-001.pdf](#)

[测试摘要 TS-5556-002-001.pdf](#)

[测试摘要 55560010-TS-000.pdf](#)

## 产物环境合规

### 合规

GADSL/IMDS	Not Relevant
China RoHS	
EU ELV	Not Relevant
Low-Halogen Status	Low-Halogen per IEC 61249-2-21
REACH SVHC	Not Contained per D(2023)3788-DC (14 Jun 2023)
EU RoHS	Compliant per EU 2015/863

## 多部分产品合规性声明

- Eu RoHS
- REACH SVHC
- Low-Halogen

## 多部分行业合规性文件

- IPC 1752A Class C
- IPC 1752A Class D
- Molex Product Compliance Declaration
- IEC-62474
- chemSHERPA (xml)

## 欧盟 RoHS 合格证书

---

## 产品详情

### 常规

状态	活动
类别	Crimp Terminals
系列	5558
说明	Mini-Fit Male Crimp Terminal, Phosphor Bronze, Gold (Au), 22-28 AWG, Reel
应用	Power, Wire-to-Wire
产品系列	Mini-Fit Family Power Connectors
产品名称	Mini-Fit
UPC	800754396417

### 电气

每触点最大电流	9.0A
电压 - 最大	600V

### 物理

耐用性(插拔次数) - 最多次数	30
性别	男
材料 - 金属	Phosphor Bronze
材料 - 接合部位电镀	金牌
材料 - 终端电镀	Tin
净重	120.822/mg
包装形式	Reel

终端界面类型	Crimp or Compression
导线绝缘直径	0.90-1.80mm
线径规格 (AWG)	22, 24, 26, 28
线缆尺寸mm <sup>2</sup>	不适用

进程

无铅	不适用
----	-----

可连接使用部件

描述	产品编号
Mini-Fit Jr. Plug Housings	<u>5559</u>
Mini-Fit BMI Dual Row Plug Housings	<u>42475</u>

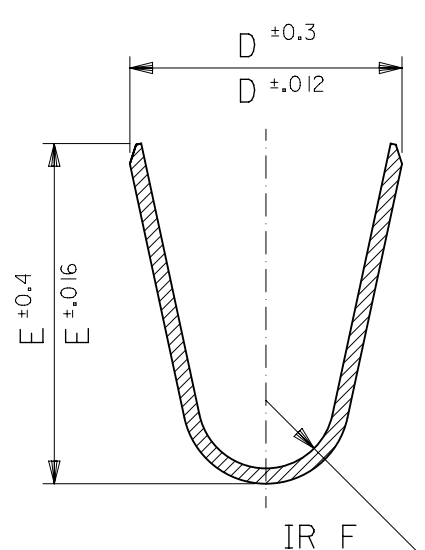
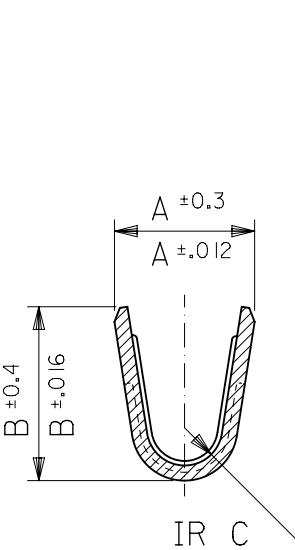
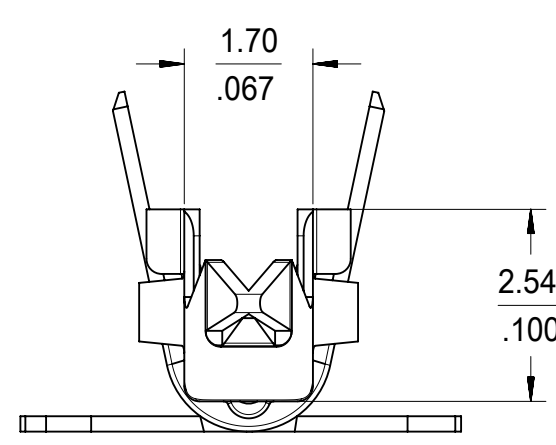
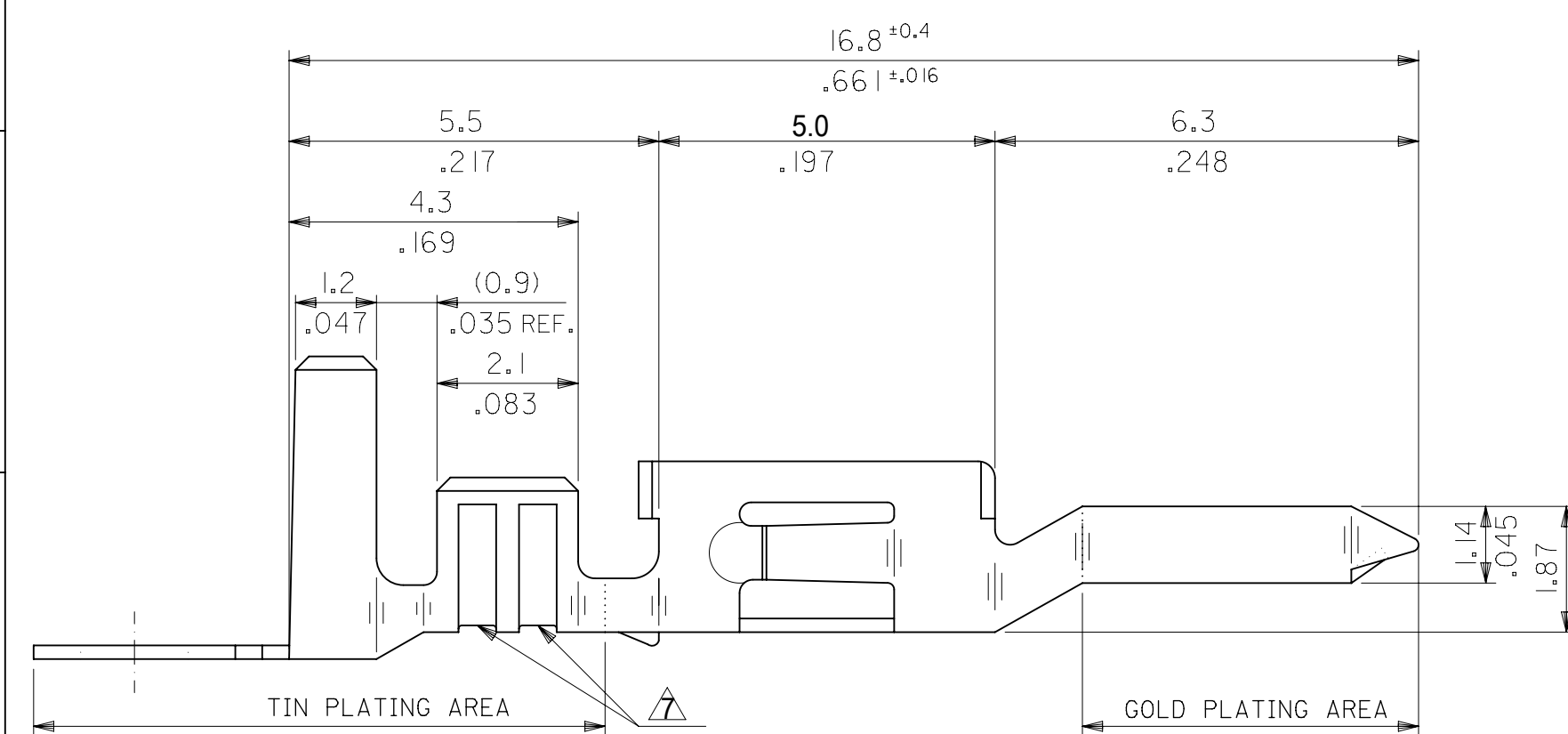
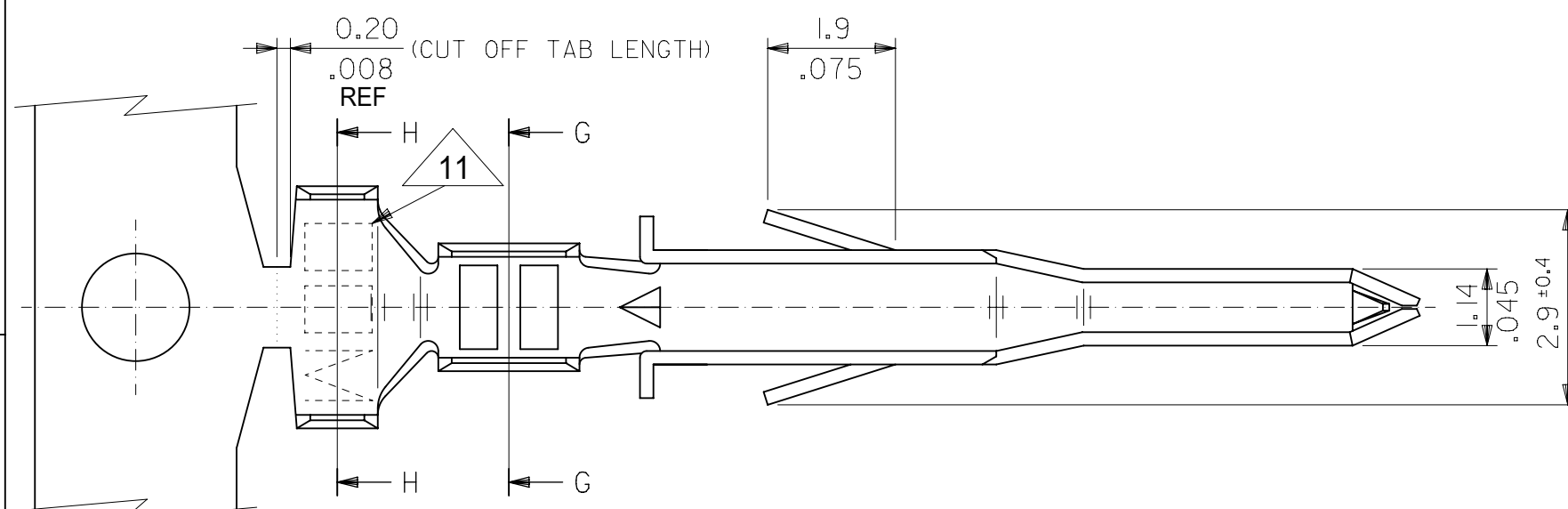
施工工具

全局

描述	产品编号
PremiumGrade Hand Crimp Tool for Mini-Fit Jr. Male and Female Terminals, 22-28 AWG	<u>0638191000</u>
FineAdjust Applicator for Insulation Diameter 1.30-1.50mm, 22-28 AWG Wire	<u>0639002700</u>
FineAdjust Applicator for Insulation OD 1.10-1.30mm - 22-28 AWG	<u>0639020200</u>
FineAdjust Applicator for Insulation OD 0.95-1.08mm - 22-28 AWG	<u>0639023800</u>
T2 Terminator for Insulation OD 1.30-1.50mm, 22-28 AWG	<u>0639102700</u>
T2 Terminator for insulation OD 1.10-1.30mm - 22-28 AWG	<u>0639120200</u>
T2 Terminator for Insulation Diameter 0.95-1.08mm, 22-28 AWG	<u>0639123800</u>

NOTES

1. MATERIAL: SEE CHART
2. FINISH: SEE CHART
3. PRODUCT SPECIFICATION: PS-5556-001, PS-5556-002, PS-5556-003.
4. PACKAGING SPECIFICATION: PK-5558-001 FOR CHAIN  
PK-5556-003 FOR LOOSE
5. MATES WITH TERMINAL: 5556 SERIES.
6. APPLICABLE HOUSING: 5559, 30068, 42475 SERIES.
7. THE NUMBER OF SERRATIONS TO BE ONE FOR WIRE RANGE #22-28.
8. WHEN TERMINALS ARE INSTALLED IN THE HOUSING THE WIRES ARE TO BE DRESSED IN SUCH A MANNER TO ALLOW THE TERMINALS TO FLOAT FREELY IN THE POCKET.
9. THIS TERMINAL IS DESIGNED FOR SINGLE WIRE CRIMPING.
10. PART CONFORMS TO CLASS "B" REQUIREMENTS OF COSMETIC SPECIFICATION PS-45499-002.
11. TEXT ON PART IS FOR REFERENCE ONLY. TEXT AND TEXT LOCATION MAY VARY DEPENDING ON PART NUMBER AND/OR TOOL.



#18-24 TERMINAL SHOWN

<b>QUALITY SYMBOLS</b> 	THIS DRAWING CONTAINS INFORMATION THAT IS PROPRIETARY TO MOLEX ELECTRONIC TECHNOLOGIES, LLC AND SHOULD NOT BE USED WITHOUT WRITTEN PERMISSION										
	EC NO: 120853 DRWN: BAPPELDORN CHK'D: JBELL REV APPR: FSMITH	2017/08/18 2017/08/28 2017/09/07	GENERAL TOLERANCES (UNLESS SPECIFIED)		DIMENSION UNITS MM/IN	SCALE 10:1					
ADD NOTE 11		MM    INCH	DRWN BY H. HIRAMOTO	DATE 1991/03/13							
4 PLACES ±    ±		3 PLACES ±    ± 0.01		CHK'D BY M. FUKUSHIMA		DATE 1992/05/21		MINI-FIT JR SELECT GOLD MALE CRIMP TERMINAL -LEAD FREE-			
2 PLACES ± 0.25 ± 0.01		1 PLACES ± 0.25 ±		APPR BY FSMITH		DATE 2010/04/09					
0 PLACES ±    ±		ANGULAR TOL ± 3.0		DRAWING SIZE B	THIRD ANGLE PROJECTION		PRODUCT CUSTOMER DRAWING				
DRAFT WHERE APPLICABLE MUST REMAIN WITHIN DIMENSIONS		DRAFT WHERE APPLICABLE MUST REMAIN WITHIN DIMENSIONS									
RELEASE STATUS    P1    RELEASE DATE    07.09.2017    15:38:50		SERIES    MATERIAL NUMBER    CUSTOMER		5558    SEE CHART    GENERAL MARKET		DOCUMENT NUMBER    DOC TYPE    DOC PART    SHEET NUMBER SD-5558-002    PSD    001    1 OF 2					

MATERIAL	FINISH	F	E	D	C	B	A	INS. RANGE	WIRE RANGE	EDP NO.	ENG NO.	FORM	
PHOSPHOR BRONZE	SELECTIVE GOLD 0.76µm /30m.i. MIN. AND SELECTIVE TIN 2.03µm /80m.i. MIN. OVER NICKEL 1.27µm /50m.i. MIN.	0.9 .035	4.5 .177	3.6 .142	0.6 .024	2.7 .106	2.3 .091	∅ 3.1 .122 MAX.	#16	39-00-0224 ▲ -0223	5558 PBGS3L ▲ PBGS3	LOOSE CHAIN	
		0.6 .024	2.3 .091	2.3 .091	0.4 .016	1.65 .065	1.8 .071	∅ 0.9-1.8 .035-.071	#22-28	-0222 -0221	PBGS2L PBGS2	LOOSE CHAIN	
		0.9 .035	4.5 .177	3.6 .142	0.5 .020	2.3 .091	1.9 .075	∅ 1.3-3.1 .051-.122	#18-24	-0220 -0219	PBGS� PBGS	LOOSE CHAIN	
	BRASS	SELECTIVE GOLD 1.27µm /50m.i. MIN. AND SELECTIVE TIN 2.54µm /100m.i. MIN. OVER NICKEL 1.27µm /50m.i. MIN.	0.9 .035	4.5 .177	3.6 .142	0.6 .024	2.7 .106	2.3 .091	∅ 3.1 .122 MAX.	#16	-0148 -0147	GS9L GS9	LOOSE CHAIN
			0.6 .024	2.3 .091	2.3 .091	0.4 .016	1.65 .065	1.8 .071	∅ 0.9-1.8 .035-.071	#22-28	▼ -0146	GS8L	LOOSE
			0.9 .035	4.5 .177	3.6 .142	0.5 .020	2.3 .091	1.9 .075	∅ 1.3-3.1 .051-.122	#18-24	39-00-0145 40-13-0854 40-13-0853	GS8 GS7L GS7	CHAIN LOOSE CHAIN
		SELECTIVE GOLD 0.38µm /15m.i. MIN. AND SELECTIVE TIN 2.03µm /80m.i. MIN. OVER NICKEL 1.27µm /50m.i. MIN.	0.9 .035	4.5 .177	3.6 .142	0.6 .024	2.7 .106	2.3 .091	∅ 3.1 .122 MAX.	#16	39-00-0100 ▲ -0099	GS6L GS6	LOOSE CHAIN
			0.6 .024	2.3 .091	2.3 .091	0.4 .016	1.65 .065	1.8 .071	∅ 0.9-1.8 .035-.071	#22-28	-0098 -0097	GS5L GS5	LOOSE CHAIN
			0.9 .035	4.5 .177	3.6 .142	0.5 .020	2.3 .091	1.9 .075	∅ 1.3-3.1 .051-.122	#18-24	-0076 -0075	GS4L GS4	LOOSE CHAIN
SELECTIVE GOLD 0.76µm /30m.i. MIN. AND SELECTIVE TIN 2.03µm /80m.i. MIN. OVER NICKEL 1.27µm /50m.i. MIN.		0.9 .035	4.5 .177	3.6 .142	0.6 .024	2.7 .106	2.3 .091	∅ 3.1 .122 MAX.	#16	-0096 -0095	GS3L GS3	LOOSE CHAIN	
		0.6 .024	2.3 .091	2.3 .091	0.4 .016	1.65 .065	1.8 .071	∅ 0.9-1.8 .035-.071	#22-28	-0433 -0432	GS2L7F GS27F	LOOSE CHAIN	
		0.9 .035	4.5 .177	3.6 .142	0.5 .020	2.3 .091	1.9 .075	∅ 1.3-3.1 .051-.122	#18-24	▼ -0431 39-00-0430	▼ GSL7F 5558 GS7F	LOOSE CHAIN	

THIS DRAWING CONTAINS INFORMATION THAT IS PROPRIETARY TO MOLEX ELECTRONIC TECHNOLOGIES, LLC AND SHOULD NOT BE USED WITHOUT WRITTEN PERMISSION

<b>QUALITY SYMBOLS</b> 	<b>ADD NOTE 11</b> EC NO: 120853 DRWN: BAPPELDORN CHK'D: JBELL REV APPR: FSMITH	<b>GENERAL TOLERANCES (UNLESS SPECIFIED)</b>		<b>DIMENSION UNITS</b> MM/IN	<b>SCALE</b> 10:1			
		4 PLACES ± ±	DRWN BY H. HIRAMOTO	DATE 1991/03/13	<b>PRODUCT CUSTOMER DRAWING</b> MINI-FIT JR SELECT GOLD MALE CRIMP TERMINAL -LEAD FREE-			
		3 PLACES ± ± 0.01	CHK'D BY M. FUKUSHIMA	DATE 1992/05/21				
		2 PLACES ± 0.25 ± 0.01	APPR BY FSMITH	DATE 2010/04/09				
1 PLACES ± 0.25 ±	<b>DRAWING SIZE</b> B		<b>THIRD ANGLE PROJECTION</b> 					
0 PLACES ± ±	<b>ANGULAR TOL ± 3.0</b>		<b>DRAFT WHERE APPLICABLE MUST REMAIN WITHIN DIMENSIONS</b>		<b>SERIES</b> 5558	<b>MATERIAL NUMBER</b> SEE CHART	<b>CUSTOMER</b> GENERAL MARKET	
<b>DOCUMENT NUMBER</b> SD-5558-002						<b>DOC TYPE</b> PSD	<b>DOC PART</b> 001	<b>SHEET NUMBER</b> 2 OF 2