



产品编号 : 39000049

系列号 : 5558

Product Category : Crimp Terminals

Packaging Alternative : 39000048 (Reel)

Product Description : Mini-Fit Male Crimp Terminal, Tin (Sn) over Plated Brass Contact, 22-28 AWG, Bag

状态 : Active

工程编号 : 5558T2L

文件和资源

图纸

图纸 039000049_sd.pdf

包装设计图 PK-5556-003-001.pdf

规格

应用规格 55560001-AS-000.pdf

产品规格 55560002-PS-CH-000.pdf

产品规格 55560002-PS-ES-000.pdf

产品规格 55560002-PS-SK-000.pdf

产品规格 PS-5556-001-001.pdf

产品规格 PS-5556-002-001.pdf


测试摘要 55560000-TS-000.pdf

测试摘要 55560010-TS-000.pdf

测试摘要 TS-5556-002-001.pdf

产物环境合规

合规

GADSL/IMDS	Not Relevant
China RoHS	
EU ELV	Not Relevant
Low-Halogen Status	Low-Halogen per IEC 61249-2-21
REACH SVHC	Not Contained per D(2023)8585-DC (23 Jan 2024)
EU RoHS	Compliant per EU 2015/863

多部分产品合规性声明

- Eu RoHS

- REACH SVHC

- Low-Halogen

- IPC 1752A Class C
- IPC 1752A Class D
- Molex Product Compliance Declaration
- IEC-62474
- chemSHERPA (xml)

欧盟 RoHS 合格证书

产品详情

常规

状态	活动
类别	Crimp Terminals
系列	5558
说明	Mini-Fit Male Crimp Terminal, Tin (Sn) over Plated Brass Contact, 22-28 AWG, Bag
应用	Power, Wire-to-Wire
产品系列	Mini-Fit Family Power Connectors
产品名称	Mini-Fit
UPC	800753584624

电气

每触点最大电流	9.0A
电压 - 最大	600V

物理

耐用性(插拔次数) - 最多次数	30
性别	男
材料 - 金属	Brass
材料 - 接合部位电镀	Tin
材料 - 终端电镀	Tin
净重	0.154/g
包装形式	Bag
最薄镀层 - 接合部位	0.889µm
最薄镀层 - 端接	0.889µm
终端界面类型	Crimp or Compression
导线绝缘直径	0.90-1.80mm

线径规格 (AWG)	22, 24, 26, 28
线缆尺寸mm ²	不适用

进程

无铅	不适用
----	-----

可连接使用部件

描述	产品编号
Mini-Fit Jr. Plug Housings	<u>5559</u>
Mini-Fit BMI Dual Row Plug Housings	<u>42475</u>
Mini-Fit Jr. Dual Row Plug Housings	<u>46993</u>

施工工具

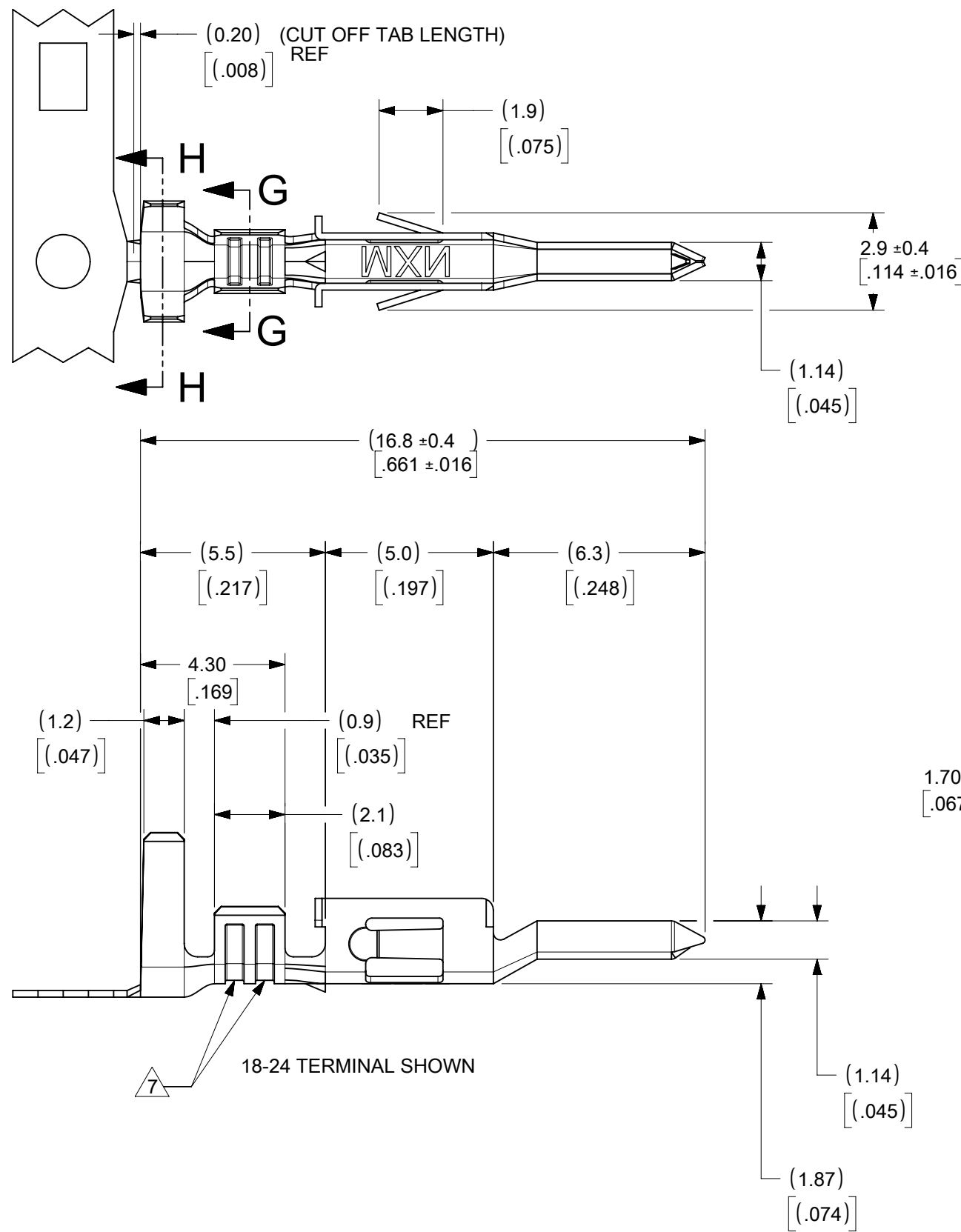
全局

描述	产品编号
Extraction Tool for Mini-Fit Jr. Terminals	<u>11030044</u>
PremiumGrade Hand Crimp Tool for Mini-Fit Jr. Male and Female Terminals, 22-28 AWG	<u>638191000</u>

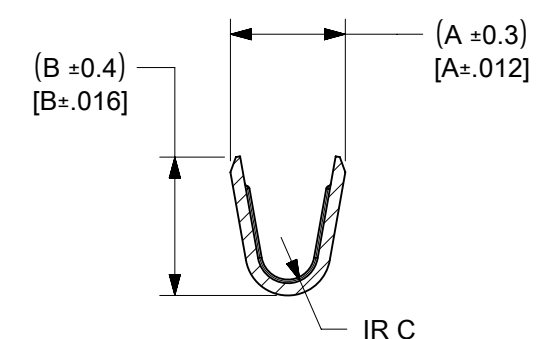
施工工具

日本

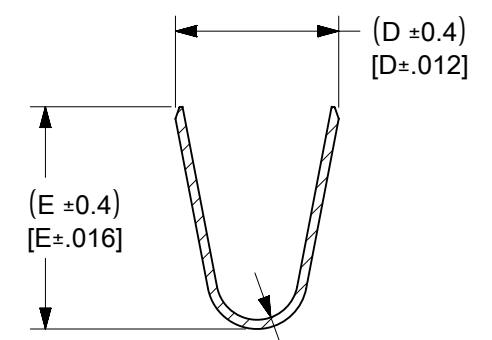
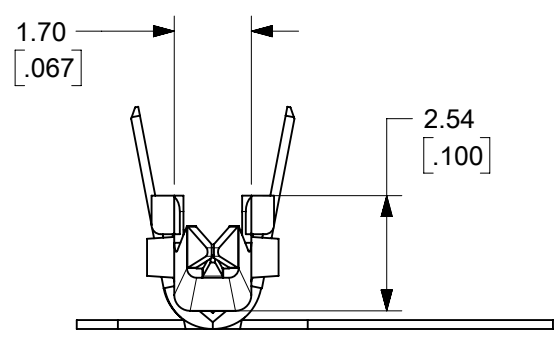
描述	产品编号
Hand Extraction Tool	<u>570316000</u>
Handtool - Straight Action	<u>570385300</u>
Hand Crimp Tool	<u>570645000</u>



- NOTES:
1. MATERIAL: SEE CHART
 2. FINISH: SEE CHART
 3. PRODUCT SPECIFICATION: PS-5556-001, PS-5556-002, PS-5556-003
 4. PACKAGING SPECIFICATION: PK-5558-001 FOR CHAIN
PK-5556-003 FOR LOOSE
 5. MATES WITH TERMINAL: 5556 SERIES.
 6. APPLICABLE HOUSING: 5559, 30068, 42475 SERIES.
 7. THE NUMBER OF SERRATIONS TO BE ONE FOR WIRE RANGE #22-28.
 8. WHEN TERMINALS ARE INSTALLED IN THE HOUSING THE WIRES ARE TO BE DRESSED IN SUCH A MANNER TO ALLOW THE TERMINALS TO FLOAT FREELY IN THE POCKET.
 9. THIS TERMINAL IS DESIGNED FOR SINGLE WIRE CRIMPING.
 10. PART CONFORMS TO CLASS "B" REQUIREMENTS OF COSMATIC SPECIFICATION PS-45499-002.
 11. TEXT ON PART IS FOR REFERENCE ONLY. TEXT AND TEXT LOCATION MAY VARY DEPENDING ON PART NUMBER AND/OR TOOL.



SECTION G-G



SECTION H-H

THIS DRAWING CONTAINS INFORMATION THAT IS PROPRIETARY TO MOLEX ELECTRONIC TECHNOLOGIES, LLC AND SHOULD NOT BE USED WITHOUT WRITTEN PERMISSION															
FUNCTIONAL SYMBOLS		DIMENSION UNITS		SCALE		CURRENT REV DESC:									
FA = 0		mm/inch		NTS		EC NO: 660823 DRWN: VIJAYS4 CHK'D: YXZHENG APPR: YXZHENG INITIAL REVISION: DRWN: H.HIRAMOTO APPR: FSMITH									
FE = 0		GENERAL TOLERANCES (UNLESS SPECIFIED)										2021/04/06		MINI-FIT JR OVERALL TIN MALE CRIMP TERMINAL	
FD = 0		MM		INCH								2021/04/14			
DIVISIONAL SYMBOLS		4 PLACES ±		±								2021/04/14			
		3 PLACES ±		± 0.01				PRODUCT CUSTOMER DRAWING							
		2 PLACES ±		± 0.25				DOCUMENT NUMBER		DOC TYPE	DOC PART	REVISION			
		1 PLACE ±		±				SD-5558XXXX		PSD	001	L2			
		0 PLACES ±		±				MATERIAL NUMBER		CUSTOMER		SHEET NUMBER			
		ANGULAR TOL ±		± 3.0°				SEE SHEET 2		GENERAL MARKET		1 OF 2			
		DRAFT WHERE APPLICABLE MUST REMAIN WITHIN DIMENSIONS		THIRD ANGLE PROJECTION		DRAWING		SERIES		5558					

PLATING		MATERIAL	F	E	D	C	B	A	INS.RANGE	WIRE AWG RANGE		EDP NO.	ENG. NO.	FORM
REFLOWED MATTE TIN 0.00090/(.000035) MIN. (PREPLATE) (FINISH IS BRIGHT IN APPEARANCE, THICKNESS AS APPLIED PRIOR TO REFLOW)	PHOSPHOR BRONZE	(0.9) .035	(4.5) .177	(3.6) .142	(0.6) .024	(2.7) .106	(2.3) .091	∅ (3.1) .122 MAX	16	N/A	39-00-0084	5558 PBT3L	LOOSE	
										20+20	39-00-0083	5558 PBT3	CHAIN	
										20+22				
											18+22			
											N/A	39-00-0068	5558 PBT2L	LOOSE
											N/A	39-00-0067	5558 PBT2	CHAIN
REFLOWED MATTE TIN 0.00090/(.000035) MIN OVER COPPER 0.00050/(.000020) MIN. (PREPLATE) (FINISH IS BRIGHT IN APPEARANCE, THICKNESS AS APPLIED PRIOR TO REFLOW)	BRASS	(0.9) .035	(4.5) .177	(3.6) .142	(0.6) .024	(2.7) .106	(2.3) .091	∅ (3.1) .122 MAX	16	N/A	39-00-0082	5558 T3L	LOOSE	
										20+20	39-00-0081	5558 T3	CHAIN	
										20+22				
												18+22		
										N/A	39-00-0049	5558 T2L	LOOSE	
										N/A	39-00-0048	5558 T2	CHAIN	
										N/A	39-00-0041	5558 TL	LOOSE	
										N/A	39-00-0040	5558 T	CHAIN	

FUNCTIONAL SYMBOLS										THIS DRAWING CONTAINS INFORMATION THAT IS PROPRIETARY TO MOLEX ELECTRONIC TECHNOLOGIES, LLC AND SHOULD NOT BE USED WITHOUT WRITTEN PERMISSION									
DIMENSION UNITS					SCALE					CURRENT REV DESC:									
mm/inch					NTS					EC NO: 660823									
GENERAL TOLERANCES (UNLESS SPECIFIED)										DRWN: VIJAYS4 2021/04/06									
4 PLACES ±					MM INCH					CHK'D: YXZHENG 2021/04/14									
3 PLACES ±					± 0.01					APPR: YXZHENG 2021/04/14									
2 PLACES ±					± 0.25 ± 0.01					INITIAL REVISION:									
1 PLACE ±					± 0.25 ±					DRWN: H.HIRAMOTO 1991/03/12									
0 PLACES ±					±					APPR: FSMITH 2010/04/09									
ANGULAR TOL ± 3.0°										DOCUMENT NUMBER									
DRAFT WHERE APPLICABLE MUST REMAIN WITHIN DIMENSIONS					THIRD ANGLE PROJECTION					DRAWING					SERIES				
					B-SIZE					5558					MATERIAL NUMBER				
										SEE TABLE					CUSTOMER				
															GENERAL MARKET				
															SHEET NUMBER				
															2 OF 2				

molex

MINI-FIT JR
OVERALL TIN MALE CRIMP TERMINAL

PRODUCT CUSTOMER DRAWING

DOCUMENT NUMBER: SD-5558XXXX | DOC TYPE: PSD | DOC PART: 001 | REVISION: L2

10 9 8 7 6 5 4 3 2 1

REFLOWED MATTE TIN 0.00090/(.000035)
MIN. (PREPLATE) (FINISH IS BRIGHT IN APPEARANCE,
THICKNESS AS APPLIED PRIOR TO REFLOW)

PHOSPHOR
BRONZE

(0.9) .035	(4.5) .177	(3.6) .142	(0.6) .024	(2.7) .106	(2.3) .091	∅ (3.1) .122 MAX.	# 16
(0.6) .024	(2.3) .091	(2.3) .091	(0.4) .016	(1.65) .065	(1.8) .071	∅ (0.9-1.8) .035-.071	#22-28
(0.9) .035	(4.5) .177	(3.6) .142	(0.5) .020	(2.3) .091	(1.9) .075	∅ (1.3-3.1) .051-.122	#18-24

39-00-0084	5558 PBT3L	LOOSE
↑ -0083	↑ PBT3	CHAIN
-0068	PBT2L	LOOSE
-0067	PBT2	CHAIN
-0062	PBTL	LOOSE
-0061	PBT	CHAIN

REFLOWED MATTE TIN 0.00090/(.000035)
MIN OVER COPPER 0.00050/(.000020)
MIN. (PREPLATE) (FINISH IS BRIGHT IN APPEARANCE,
THICKNESS AS APPLIED PRIOR TO REFLOW)

BRASS

(0.9) .035	(4.5) .177	(3.6) .142	(0.6) .024	(2.7) .106	(2.3) .091	∅ (3.1) .122 MAX.	# 16
(0.6) .024	(2.3) .091	(2.3) .091	(0.4) .016	(1.65) .065	(1.8) .071	∅ (0.9-1.8) .035-.071	#22-28
(0.9) .035	(4.5) .177	(3.6) .142	(0.5) .020	(2.3) .091	(1.9) .075	∅ (1.3-3.1) .051-.122	#18-24

↑ -0082	T3L	LOOSE
-0081	T3	CHAIN
-0049	T2L	LOOSE
-0048	T2	CHAIN
↓ -0041	↓ TL	LOOSE
39-00-0040	5558 T	CHAIN

PLATING

MATERIAL

F	E	D	C	B	A	INS. RANGE	WIRE RANGE	EDP NO.	ENG. NO.	FORM
---	---	---	---	---	---	------------	------------	---------	----------	------

SEE SHEET 1
EC NO: UCP2017-1893
DRAWN: GSLAFTER 2017/02/28
CHKD: JBELL 2017/03/14
APPR: FSMITH 2017/07/31

QUALITY SYMBOLS
▽=0
▽=0
▽=0

GENERAL TOLERANCES (UNLESS SPECIFIED)

	mm	INCH
4 PLACES	± ---	± ---
3 PLACES	± ---	± .010
2 PLACES	± .25	± .010
1 PLACE	± .25	± ---
ANGULAR ± 3 °		

DRAFT WHERE APPLICABLE
MUST REMAIN
WITHIN DIMENSIONS

DIMENSION STYLE
MM/IN

DRAWN BY	DATE
H.HIRAMOTO	1991/03/12
CHECKED BY	DATE
S.KUNISHI	1998/07/07
APPROVED BY	DATE
FSMITH	2010/04/09

SCALE

DESIGN UNITS
METRIC

THIRD ANGLE PROJECTION

MINI-FIT JR
OVERALL TIN
MALE CRIMP TERMINAL

molex MOLEX INCORPORATED

MATERIAL NO. SEE CHART

DOCUMENT NO. SD-5558****

SHEET NO. 2 OF 2

THIS DRAWING CONTAINS INFORMATION THAT IS PROPRIETARY TO MOLEX INCORPORATED AND SHOULD NOT BE USED WITHOUT WRITTEN PERMISSION

9 8 7 6 5 4 3 2 1