



产品编号 : [39000061](#)

Product Description : Mini-Fit Male Crimp Terminal, Tin (Sn) over Phosphor Bronze, 18-24, 22+22 AWG, Reel

系列号 : 5558

状态 : Active

Product Category : Crimp Terminals

工程编号 : 5558PBT



## 文件和资源

### 图纸

[图纸 039000061\\_sd.pdf](#)

[包装设计图 55580001-PK-000.pdf](#)

### 规格

[应用规格 55560001-AS-000.pdf](#)

[产品规格 PS-51010-003-001.pdf](#)

[产品规格 PS-51010-004-001.pdf](#)

[产品规格 55560002-PS-CH-000.pdf](#)

[产品规格 55560002-PS-ES-000.pdf](#)

[产品规格 55560002-PS-SK-000.pdf](#)

[产品规格 55560008-TS-000.pdf](#)

[产品规格 PS-5556-001-001.pdf](#)

[产品规格 PS-5556-002-001.pdf](#)


[测试摘要 55560000-TS-000.pdf](#)

[测试摘要 55560010-TS-000.pdf](#)

[测试摘要 TS-5556-002-001.pdf](#)

## 产物环境合规

### 合规

GADSL/IMDS	Compliant with Exemption 44
China RoHS	
EU ELV	Not Relevant
Low-Halogen Status	Low-Halogen per IEC 61249-2-21

REACH SVHC	Not Contained per D(2023)8585-DC (23 Jan 2024)
EU RoHS	Compliant per EU 2015/863

多部分产品合规性声明

- Eu RoHS
- REACH SVHC
- Low-Halogen

多部分行业合规性文件

- IPC 1752A Class C
- IPC 1752A Class D
- Molex Product Compliance Declaration
- IEC-62474
- chemSHERPA (xml)

欧盟 RoHS 合格证书

**产品详情**

**常规**

状态	活动
类别	Crimp Terminals
系列	5558
说明	Mini-Fit Male Crimp Terminal, Tin (Sn) over Phosphor Bronze, 18-24, 22+22 AWG, Reel
应用	Power, Wire-to-Wire
产品系列	Mini-Fit Family Power Connectors
产品名称	Mini-Fit
UPC	800753584686

**电气**

每触点最大电流	9.0A
电压 - 最大	600V

**物理**

耐用性(插拔次数) - 最多次数	30
性别	男
材料 - 金属	Phosphor Bronze
材料 - 接合部位电镀	Tin

材料 - 终端电镀	Tin
净重	183.400/mg
包装形式	Reel
最薄镀层 - 接合部位	0.889µm
最薄镀层 - 端接	0.914µm
终端界面类型	Crimp or Compression
导线绝缘直径	1.30-3.10mm
线径规格 (AWG)	18, 20, 22, 22+22, 24
线缆尺寸mm <sup>2</sup>	不适用

## 可连接使用部件

描述	产品编号
Mini-Fit Jr. Plug Housings	<u>5559</u>
Mini-Fit BMI Dual Row Plug Housings	<u>42475</u>
Mini-Fit Jr. Dual Row Plug Housings	<u>46993</u>

## 施工工具

### 全局

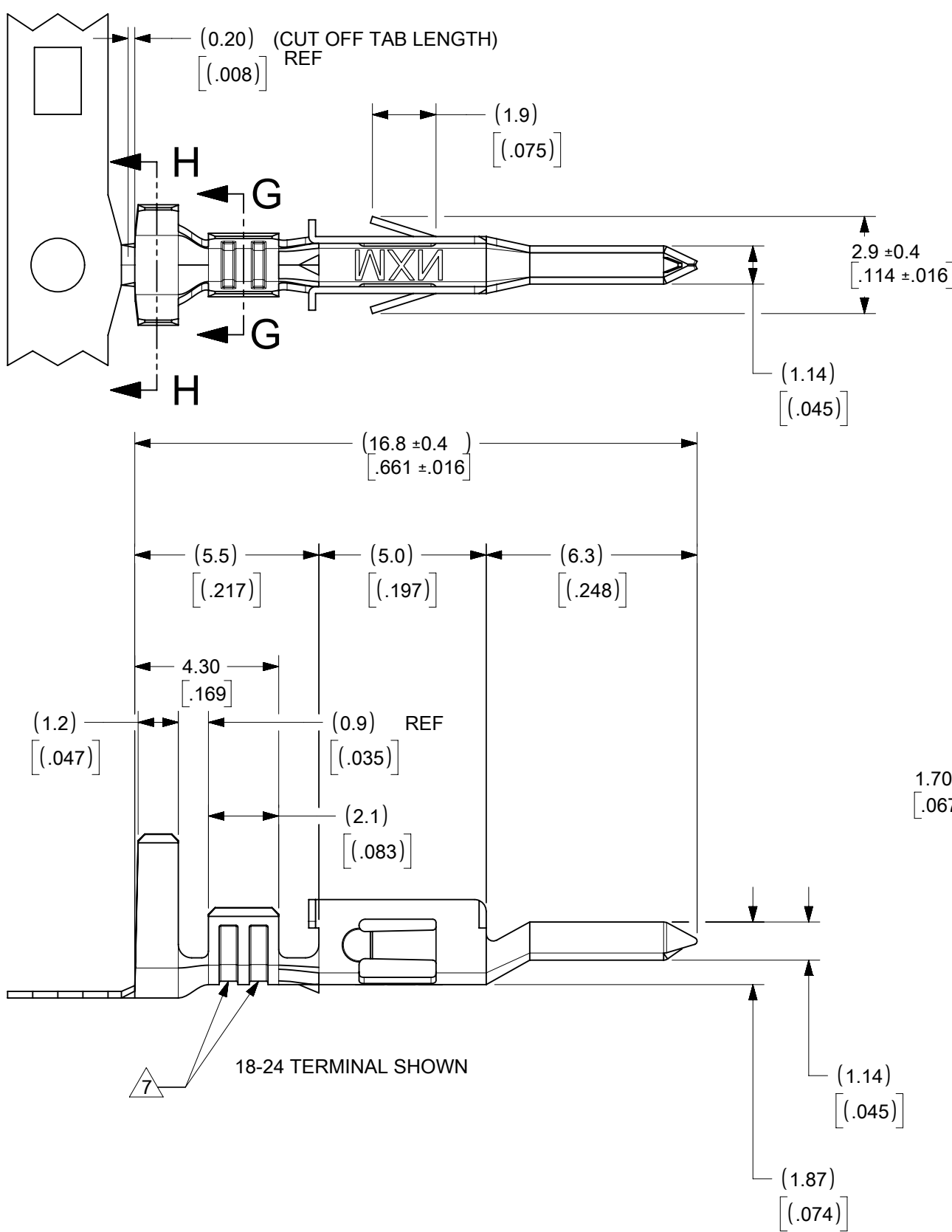
描述	产品编号
Extraction Tool for Mini-Fit Jr. Terminals	<u>11030044</u>
FineAdjust Applicator for Mini-Fit Double Crimp Applications Using Two 22 AWG Wires	<u>2037026300</u>
PremiumGrade Hand Crimp Tool for Mini-Fit Jr. Male and Female Terminals, 18-24 AWG	<u>638190901</u>
FineAdjust Applicator for 18-20 AWG and 18-24 AWG Wires with Insulation Diameter 1.90-2.30mm	<u>639015600</u>
FineAdjust Applicator for Insulation OD 1.40-1.70mm - 18-24 AWG	<u>639023900</u>
FineAdjust Applicator for Insulation OD 2.50-2.95mm Optimized for 18 AWG Only	<u>639024800</u>

FineAdjust Applicator for Insulation OD 2.30-2.60mm - 18-24 AWG	<u>639024900</u>
FineAdjust Applicator for Insulation OD 2.50-2.95mm, 18-24 AWG	<u>639047800</u>
FineAdjust Applicator for Insulation OD 1.65-2.05mm, 18-24 AWG	<u>639048000</u>
T2 Terminator for Insulation OD 1.90-2.30mm - 18-24 AWG	<u>639115600</u>
T2 Terminator for insulation OD 1.40-1.70mm - 18-24 AWG	<u>639123900</u>
T2 Terminator for insulation OD 2.50-2.95mm optimized for 18 AWG only	<u>639124800</u>
T2 Terminator for insulation OD 2.30-2.60mm - 18-24 AWG	<u>639124900</u>
T2 Terminator for Mini-Fit Crimp Terminals, 18-24 AWG with Large Insulation ODs	<u>639147800</u>
T2 Terminator for Mini-Fit Crimp Terminals, 18-24 AWG with Smaller Insulation ODs	<u>639148000</u>

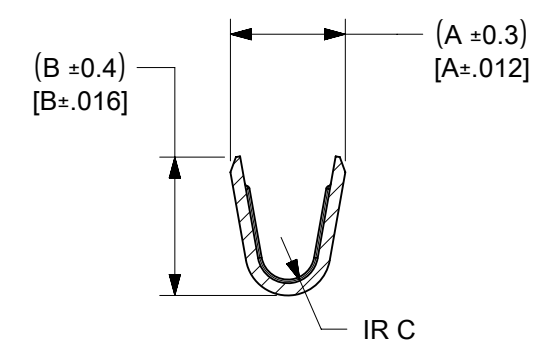
## 施工工具

### 日本

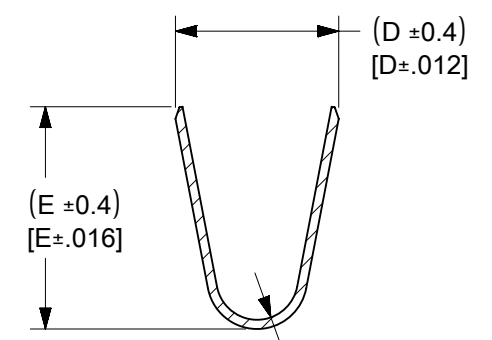
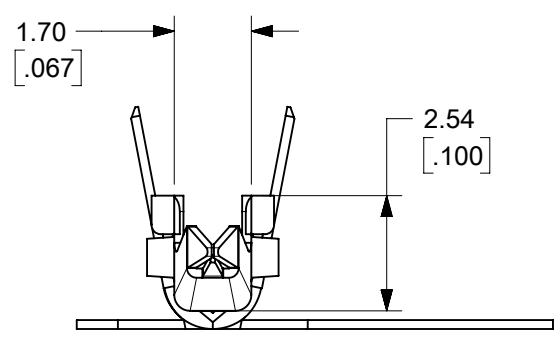
描述	产品编号
S-1 Applicator for Mini-Fit Plug and Receptacle Terminals, 18-24 AWG, UL1007 Wires	<u>570223700</u>
S-1 Applicator for Mini-Fit Plug and Receptacle Terminals, 18-24 AWG, UL1015 Wires	<u>570223710</u>



- NOTES:
1. MATERIAL: SEE CHART
  2. FINISH: SEE CHART
  3. PRODUCT SPECIFICATION: PS-5556-001, PS-5556-002, PS-5556-003
  4. PACKAGING SPECIFICATION: PK-5558-001 FOR CHAIN  
PK-5556-003 FOR LOOSE
  5. MATES WITH TERMINAL: 5556 SERIES.
  6. APPLICABLE HOUSING: 5559, 30068, 42475 SERIES.
  7. THE NUMBER OF SERRATIONS TO BE ONE FOR WIRE RANGE #22-28.
  8. WHEN TERMINALS ARE INSTALLED IN THE HOUSING THE WIRES ARE TO BE DRESSED IN SUCH A MANNER TO ALLOW THE TERMINALS TO FLOAT FREELY IN THE POCKET.
  9. THIS TERMINAL IS DESIGNED FOR SINGLE WIRE CRIMPING.
  10. PART CONFORMS TO CLASS "B" REQUIREMENTS OF COSMATIC SPECIFICATION PS-45499-002.
  11. TEXT ON PART IS FOR REFERENCE ONLY. TEXT AND TEXT LOCATION MAY VARY DEPENDING ON PART NUMBER AND/OR TOOL.



SECTION G-G



SECTION H-H

18-24 TERMINAL SHOWN

THIS DRAWING CONTAINS INFORMATION THAT IS PROPRIETARY TO MOLEX ELECTRONIC TECHNOLOGIES, LLC AND SHOULD NOT BE USED WITHOUT WRITTEN PERMISSION															
FUNCTIONAL SYMBOLS		DIMENSION UNITS		SCALE		CURRENT REV DESC:									
FA = 0		mm/inch		NTS		EC NO: 660823 DRWN: VIJAYS4 CHK'D: YXZHENG APPR: YXZHENG INITIAL REVISION: DRWN: H.HIRAMOTO APPR: FSMITH									
FE = 0		GENERAL TOLERANCES (UNLESS SPECIFIED)													
FD = 0		MM		INCH											
DIVISIONAL SYMBOLS		4 PLACES ±		±											
		3 PLACES ±		± 0.01		2021/04/06		<b>molex</b> MINI-FIT JR OVERALL TIN MALE CRIMP TERMINAL							
		2 PLACES ±		± 0.25		2021/04/14									
		1 PLACE ±		±		2021/04/14		PRODUCT CUSTOMER DRAWING							
		0 PLACES ±		±				DOCUMENT NUMBER		DOC TYPE		DOC PART		REVISION	
		ANGULAR TOL ±		± 3.0°				SD-5558XXXX		PSD		001		L2	
		DRAFT WHERE APPLICABLE MUST REMAIN WITHIN DIMENSIONS		THIRD ANGLE PROJECTION		DRAWING		SERIES		MATERIAL NUMBER		CUSTOMER		SHEET NUMBER	
				B-SIZE		5558		SEE SHEET 2		GENERAL MARKET		1 OF 2			

PLATING		MATERIAL	F	E	D	C	B	A	INS.RANGE	WIRE AWG RANGE		EDP NO.	ENG. NO.	FORM
REFLOWED MATTE TIN 0.00090/(.000035) MIN. (PREPLATE) (FINISH IS BRIGHT IN APPEARANCE, THICKNESS AS APPLIED PRIOR TO REFLOW)	PHOSPHOR BRONZE	$\frac{(0.9)}{.035}$	$\frac{(4.5)}{.177}$	$\frac{(3.6)}{.142}$	$\frac{(0.6)}{.024}$	$\frac{(2.7)}{.106}$	$\frac{(2.3)}{.091}$	$\varnothing \frac{(3.1)}{.122} \text{ MAX}$	16	N/A	39-00-0084	5558 PBT3L	LOOSE	
		$\frac{(0.6)}{.024}$	$\frac{(2.3)}{.091}$	$\frac{(2.3)}{.091}$	$\frac{(0.4)}{.016}$	$\frac{(1.65)}{.065}$	$\frac{(1.8)}{.071}$	$\varnothing \frac{(0.9 - 1.8)}{.035 - .071}$	22-28	20+20	39-00-0083	5558 PBT3	CHAIN	
										18+22				
	$\frac{(0.9)}{.035}$	$\frac{(4.5)}{.177}$	$\frac{(3.6)}{.142}$	$\frac{(0.5)}{.020}$	$\frac{(2.3)}{.091}$	$\frac{(1.9)}{.075}$	$\varnothing \frac{(1.3 - 3.1)}{.051 - .122}$	18-24	N/A	39-00-0068	5558 PBT2L	LOOSE		
										N/A	39-00-0067	5558 PBT2	CHAIN	
										N/A	39-00-0062	5558 PBTL	LOOSE	
REFLOWED MATTE TIN 0.00090/(.000035) MIN OVER COPPER 0.00050/(.000020) MIN. (PREPLATE) (FINISH IS BRIGHT IN APPEARANCE, THICKNESS AS APPLIED PRIOR TO REFLOW)	BRASS	$\frac{(0.9)}{.035}$	$\frac{(4.5)}{.177}$	$\frac{(3.6)}{.142}$	$\frac{(0.6)}{.024}$	$\frac{(2.7)}{.106}$	$\frac{(2.3)}{.091}$	$\varnothing \frac{(3.1)}{.122} \text{ MAX}$	16	N/A	39-00-0082	5558 T3L	LOOSE	
		$\frac{(0.6)}{.024}$	$\frac{(2.3)}{.091}$	$\frac{(2.3)}{.091}$	$\frac{(0.4)}{.016}$	$\frac{(1.65)}{.065}$	$\frac{(1.8)}{.071}$	$\varnothing \frac{(0.9 - 1.8)}{.035 - .071}$	22-28	20+20	39-00-0081	5558 T3	CHAIN	
										18+22				
	$\frac{(0.9)}{.035}$	$\frac{(4.5)}{.177}$	$\frac{(3.6)}{.142}$	$\frac{(0.5)}{.020}$	$\frac{(2.3)}{.091}$	$\frac{(1.9)}{.075}$	$\varnothing \frac{(1.3 - 3.1)}{.051 - .122}$	18-24	N/A	39-00-0049	5558 T2L	LOOSE		
										N/A	39-00-0048	5558 T2	CHAIN	
										N/A	39-00-0041	5558 TL	LOOSE	
										22+22	39-00-0040	5558 T	CHAIN	

FUNCTIONAL SYMBOLS										THIS DRAWING CONTAINS INFORMATION THAT IS PROPRIETARY TO MOLEX ELECTRONIC TECHNOLOGIES, LLC AND SHOULD NOT BE USED WITHOUT WRITTEN PERMISSION									
DIMENSION UNITS					SCALE					CURRENT REV DESC:									
mm/inch					NTS					EC NO: 660823									
GENERAL TOLERANCES (UNLESS SPECIFIED)										DRWN: VIJAYS4 2021/04/06									
4 PLACES ±					MM INCH					CHK'D: YXZHENG 2021/04/14									
3 PLACES ±					± 0.01					APPR: YXZHENG 2021/04/14									
2 PLACES ±					± 0.25 ± 0.01					INITIAL REVISION:									
1 PLACE ±					± 0.25 ±					DRWN: H.HIRAMOTO 1991/03/12									
0 PLACES ±					±					APPR: FSMITH 2010/04/09									
ANGULAR TOL ± 3.0°										THIRD ANGLE PROJECTION									
DRAFT WHERE APPLICABLE MUST REMAIN WITHIN DIMENSIONS										DRAWING B-SIZE									
										SERIES 5558									
DOCUMENT STATUS					P1					RELEASE DATE					2021/04/14 14:25:13				
										MATERIAL NUMBER					CUSTOMER				
										SEE TABLE					GENERAL MARKET				
										DOCUMENT NUMBER					SHEET NUMBER				
										SD-5558XXXX					2 OF 2				

10 9 8 7 6 5 4 3 2 1

REFLOWED MATTE TIN 0.00090/(.000035)  
MIN. (PREPLATE) (FINISH IS BRIGHT IN APPEARANCE,  
THICKNESS AS APPLIED PRIOR TO REFLOW)

PHOSPHOR  
BRONZE

(0.9) .035	(4.5) .177	(3.6) .142	(0.6) .024	(2.7) .106	(2.3) .091	∅ (3.1) .122 MAX.	# 16
(0.6) .024	(2.3) .091	(2.3) .091	(0.4) .016	(1.65) .065	(1.8) .071	∅ (0.9-1.8) .035-.071	#22-28
(0.9) .035	(4.5) .177	(3.6) .142	(0.5) .020	(2.3) .091	(1.9) .075	∅ (1.3-3.1) .051-.122	#18-24

39-00-0084	5558 PBT3L	LOOSE
↑ -0083	↑ PBT3	CHAIN
-0068	PBT2L	LOOSE
-0067	PBT2	CHAIN
-0062	PBTL	LOOSE
-0061	PBT	CHAIN

REFLOWED MATTE TIN 0.00090/(.000035)  
MIN OVER COPPER 0.00050/(.000020)  
MIN. (PREPLATE) (FINISH IS BRIGHT IN APPEARANCE,  
THICKNESS AS APPLIED PRIOR TO REFLOW)

BRASS

(0.9) .035	(4.5) .177	(3.6) .142	(0.6) .024	(2.7) .106	(2.3) .091	∅ (3.1) .122 MAX.	# 16
(0.6) .024	(2.3) .091	(2.3) .091	(0.4) .016	(1.65) .065	(1.8) .071	∅ (0.9-1.8) .035-.071	#22-28
(0.9) .035	(4.5) .177	(3.6) .142	(0.5) .020	(2.3) .091	(1.9) .075	∅ (1.3-3.1) .051-.122	#18-24

↑ -0082	T3L	LOOSE
-0081	T3	CHAIN
-0049	T2L	LOOSE
-0048	T2	CHAIN
↓ -0041	↓ TL	LOOSE
39-00-0040	5558 T	CHAIN

PLATING

MATERIAL

F	E	D	C	B	A	INS. RANGE	WIRE RANGE	EDP NO.	ENG. NO.	FORM
---	---	---	---	---	---	------------	------------	---------	----------	------

<b>SEE SHEET 1</b> EC NO: UCP2017-1893 DRAWN: GSLAFTER 2017/02/28 CHKD: JBELL 2017/03/14 APPR: FSMITH 2017/07/31 L1	QUALITY SYMBOLS ∇=0 ∇=0 ∇=0	GENERAL TOLERANCES (UNLESS SPECIFIED)		DIMENSION STYLE MM/IN		SCALE	DESIGN UNITS METRIC	THIRD ANGLE PROJECTION	
		4 PLACES ± --- ± --- 3 PLACES ± --- ± .010 2 PLACES ± .25 ± .010 1 PLACE ± .25 ± ---	mm INCH	DRAWN BY DATE H.HIRAMOTO 1991/03/12	TITLE MINI-FIT JR OVERALL TIN MALE CRIMP TERMINAL				
		ANGULAR ± 3 °		CHECKED BY DATE S.KUNISHI 1998/07/07	MOLEX INCORPORATED				
		DRAFT WHERE APPLICABLE MUST REMAIN WITHIN DIMENSIONS		APPROVED BY DATE FSMITH 2010/04/09	MATERIAL NO. SEE CHART	DOCUMENT NO. SD-5558****	SHEET NO. 2 OF 2		

9 8 7 6 5 4 3 2 1