



产品编号 : [39000081](#)

Product Description : Mini-Fit Male Crimp Terminal, Tin (Sn) over Copper Plated Brass, 16, 18+22, 20+20, 20+22 AWG, Reel

系列号 : 5558

状态 : Active

Product Category : Crimp Terminals

工程编号 : 5558T3

Packaging Alternative : 0039000082 (Bag)



文件和资源

图纸

[图纸 039000081_sd.pdf](#)

[包装设计图 55580001-PK-000.pdf](#)

规格

[应用规格 55560001-AS-000.pdf](#)

[产品规格 55560002-PS-CH-000.pdf](#)

[产品规格 55560002-PS-ES-000.pdf](#)

[产品规格 55560002-PS-SK-000.pdf](#)

[产品规格 55560008-TS-000.pdf](#)

[产品规格 PS-5556-001-001.pdf](#)


[产品规格 PS-5556-002-001.pdf](#)

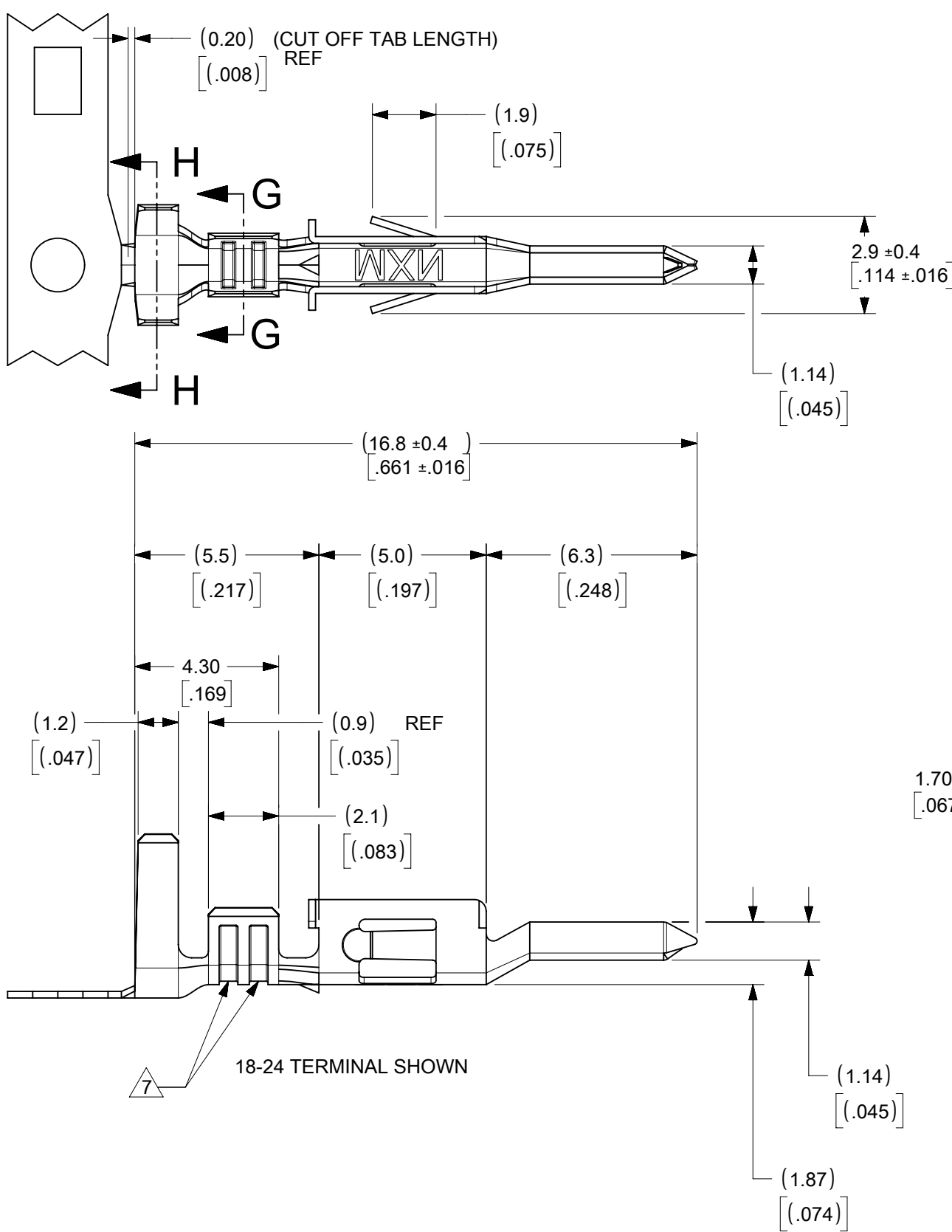
[测试摘要 55560010-TS-000.pdf](#)

[测试摘要 TS-5556-002-001.pdf](#)

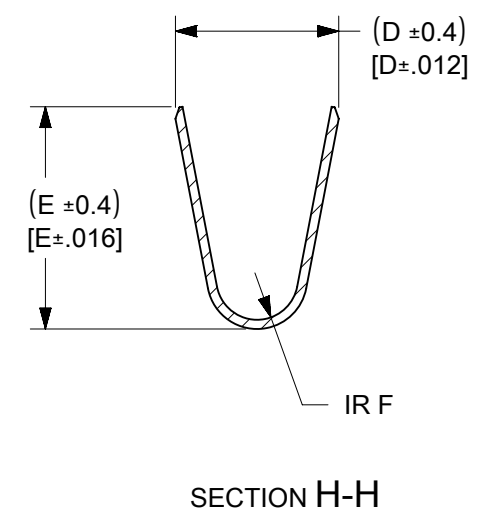
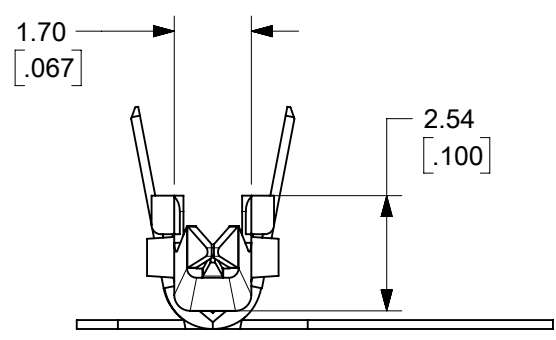
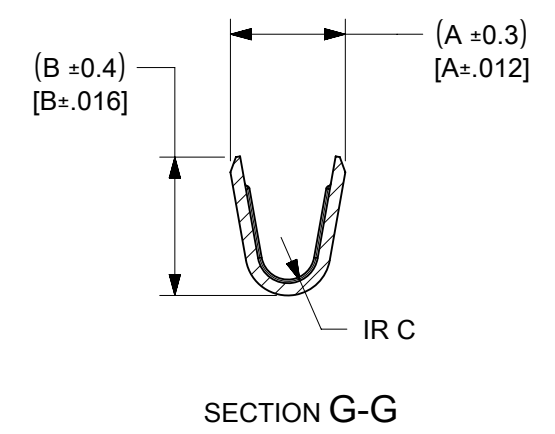
产物环境合规

合规

GADSL/IMDS	Compliant with Exemption 44
China RoHS	
EU ELV	Compliant per 2000/53/EC
Low-Halogen Status	Low-Halogen per IEC 61249-2-21
REACH SVHC	Not Contained per D(2023)3788-DC (14 Jun 2023)
EU RoHS	Compliant per EU 2015/863



- NOTES:
1. MATERIAL: SEE CHART
 2. FINISH: SEE CHART
 3. PRODUCT SPECIFICATION: PS-5556-001, PS-5556-002, PS-5556-003
 4. PACKAGING SPECIFICATION: PK-5558-001 FOR CHAIN
PK-5556-003 FOR LOOSE
 5. MATES WITH TERMINAL: 5556 SERIES.
 6. APPLICABLE HOUSING: 5559, 30068, 42475 SERIES.
 7. THE NUMBER OF SERRATIONS TO BE ONE FOR WIRE RANGE #22-28.
 8. WHEN TERMINALS ARE INSTALLED IN THE HOUSING THE WIRES ARE TO BE DRESSED IN SUCH A MANNER TO ALLOW THE TERMINALS TO FLOAT FREELY IN THE POCKET.
 9. THIS TERMINAL IS DESIGNED FOR SINGLE WIRE CRIMPING.
 10. PART CONFORMS TO CLASS "B" REQUIREMENTS OF COSMATIC SPECIFICATION PS-45499-002.
 11. TEXT ON PART IS FOR REFERENCE ONLY. TEXT AND TEXT LOCATION MAY VARY DEPENDING ON PART NUMBER AND/OR TOOL.



FUNCTIONAL SYMBOLS												THIS DRAWING CONTAINS INFORMATION THAT IS PROPRIETARY TO MOLEX ELECTRONIC TECHNOLOGIES, LLC AND SHOULD NOT BE USED WITHOUT WRITTEN PERMISSION											
DIMENSION UNITS				SCALE				CURRENT REV DESC:															
mm/inch				NTS				EC NO: 660823															
GENERAL TOLERANCES (UNLESS SPECIFIED)								DRWN: VIJAYS4 2021/04/06															
4 PLACES		±		MM		INCH		CHK'D: YXZHENG 2021/04/14				PRODUCT CUSTOMER DRAWING											
3 PLACES		±		MM		INCH		APPR: YXZHENG 2021/04/14				DOCUMENT NUMBER		DOC TYPE		DOC PART		REVISION					
2 PLACES		±		0.25		±		INITIAL REVISION:				SD-5558XXXX		PSD		001		L2					
1 PLACE		±		0.25		±		DRWN: H.HIRAMOTO 1991/03/12				MATERIAL NUMBER		CUSTOMER		SHEET NUMBER							
0 PLACES		±						APPR: FSMITH 2010/04/09				SEE SHEET 2		GENERAL MARKET		1 OF 2							
ANGULAR TOL ± 3.0°								DRAFT WHERE APPLICABLE MUST REMAIN WITHIN DIMENSIONS				THIRD ANGLE PROJECTION		DRAWING		SERIES		MATERIAL NUMBER		CUSTOMER		SHEET NUMBER	
												B-SIZE		5558									

10 9 8 7 6 5 4 3 2 1

REFLOWED MATTE TIN 0.00090/(.000035)
MIN. (PREPLATE) (FINISH IS BRIGHT IN APPEARANCE,
THICKNESS AS APPLIED PRIOR TO REFLOW)

PHOSPHOR
BRONZE

(0.9) .035	(4.5) .177	(3.6) .142	(0.6) .024	(2.7) .106	(2.3) .091	∅ (3.1) .122 MAX.	# 16
(0.6) .024	(2.3) .091	(2.3) .091	(0.4) .016	(1.65) .065	(1.8) .071	∅ (0.9-1.8) .035-.071	#22-28
(0.9) .035	(4.5) .177	(3.6) .142	(0.5) .020	(2.3) .091	(1.9) .075	∅ (1.3-3.1) .051-.122	#18-24

39-00-0084	5558 PBT3L	LOOSE
↑ -0083	↑ PBT3	CHAIN
-0068	PBT2L	LOOSE
-0067	PBT2	CHAIN
-0062	PBTL	LOOSE
-0061	PBT	CHAIN

REFLOWED MATTE TIN 0.00090/(.000035)
MIN OVER COPPER 0.00050/(.000020)
MIN. (PREPLATE) (FINISH IS BRIGHT IN APPEARANCE,
THICKNESS AS APPLIED PRIOR TO REFLOW)

BRASS

(0.9) .035	(4.5) .177	(3.6) .142	(0.6) .024	(2.7) .106	(2.3) .091	∅ (3.1) .122 MAX.	# 16
(0.6) .024	(2.3) .091	(2.3) .091	(0.4) .016	(1.65) .065	(1.8) .071	∅ (0.9-1.8) .035-.071	#22-28
(0.9) .035	(4.5) .177	(3.6) .142	(0.5) .020	(2.3) .091	(1.9) .075	∅ (1.3-3.1) .051-.122	#18-24

↑ -0082	T3L	LOOSE
-0081	T3	CHAIN
-0049	T2L	LOOSE
-0048	T2	CHAIN
↓ -0041	↓ TL	LOOSE
39-00-0040	5558 T	CHAIN

PLATING

MATERIAL

F	E	D	C	B	A	INS. RANGE	WIRE RANGE	EDP NO.	ENG. NO.	FORM
---	---	---	---	---	---	------------	------------	---------	----------	------

SEE SHEET 1
EC NO: UCP2017-1893
DRAWN: GSLAFTER 2017/02/28
CHKD: JBELL 2017/03/14
APPR: FSMITH 2017/07/31

QUALITY SYMBOLS
▽=0
▽=0
▽=0

GENERAL TOLERANCES (UNLESS SPECIFIED)

	mm	INCH
4 PLACES	± ---	± ---
3 PLACES	± ---	± .010
2 PLACES	± .25	± .010
1 PLACE	± .25	± ---
ANGULAR ± 3 °		

DRAFT WHERE APPLICABLE
MUST REMAIN
WITHIN DIMENSIONS

DIMENSION STYLE
MM/IN

DRAWN BY DATE
H.HIRAMOTO 1991/03/12

CHECKED BY DATE
S.KUNISHI 1998/07/07

APPROVED BY DATE
FSMITH 2010/04/09

MATERIAL NO.
SEE CHART

SIZE
B

SCALE

DESIGN UNITS
METRIC

THIRD ANGLE PROJECTION

MINI-FIT JR
OVERALL TIN
MALE CRIMP TERMINAL

molex MOLEX INCORPORATED

DOCUMENT NO.
SD-5558****

SHEET NO.
2 OF 2

THIS DRAWING CONTAINS INFORMATION THAT IS PROPRIETARY TO MOLEX INCORPORATED AND SHOULD NOT BE USED WITHOUT WRITTEN PERMISSION

多部分产品合规性声明

- Eu RoHS
- REACH SVHC
- Low-Halogen

多部分行业合规性文件

- IPC 1752A Class C
- IPC 1752A Class D
- Molex Product Compliance Declaration
- IEC-62474
- chemSHERPA (xml)

欧盟 RoHS 合格证书

产品详情

常规

状态	活动
类别	Crimp Terminals
系列	5558
说明	Mini-Fit Male Crimp Terminal, Tin (Sn) over Copper Plated Brass, 16, 18+22, 20+20, 20+22 AWG, Reel
应用	Power, Wire-to-Wire
产品系列	Mini-Fit Family Power Connectors
产品名称	Mini-Fit
UPC	800753727083

电气

每触点最大电流	9.0A
电压 - 最大	600V

物理

耐用性(插拔次数) - 最多次数	30
性别	男
材料 - 金属	Brass
材料 - 接合部位电镀	Tin
材料 - 终端电镀	Tin
净重	0.080/g
包装形式	Reel

最薄镀层 - 接合部位	0.889µm
最薄镀层 - 端接	0.889µm
终端界面类型	Crimp or Compression
导线绝缘直径	1.80-3.10mm
线径规格 (AWG)	16, 18+22, 20+20, 20+22
线缆尺寸mm ²	不适用

进程

无铅	不适用
----	-----

可连接使用部件

描述	产品编号
Mini-Fit Jr. Plug Housings	<u>5559</u>
Mini-Fit BMI Dual Row Plug Housings	<u>42475</u>
Mini-Fit Jr. Dual Row Plug Housings	<u>46993</u>

施工工具

全局

描述	产品编号
Extraction Tool for Mini-Fit Jr. Terminals	<u>0011030044</u>
Hand Crimp Tool for Mini-Fit Jr. Male and Female Crimp Terminals, 16 AWG	<u>2002182200</u>
FineAdjust Applicator for Insulation OD 2.20-2.45mm, 16 AWG	<u>0639039400</u>
FineAdjust Applicator for Insulation OD 2.60-3.15mm, 16 AWG	<u>0639041400</u>
FineAdjust Applicator for Insulation OD 1.80-2.20mm, 16 AWG	<u>0639041500</u>
FineAdjust Crimp Applicator for Mini-Fit Double Crimp Terminals, 20+22, 20+20, and 18+22 AWG, UL 1007 Wires Only	<u>2037022100</u>
FineAdjust Crimp Applicator for Mini-Fit Double Crimp Terminals, 20+22, 20+20, and 18+22 AWG, UL 1061 Wires Only	<u>2037022200</u>

施工工具

日本

描述	产品编号
S-1 Applicator for Mini-Fit Plug and Receptacle Terminals, 16 AWG	<u>0570223730</u>
Hand Extraction Tool	<u>0570316000</u>

This document was generated on Feb 27, 2024