



产品编号 : 39000280

系列号 : 1854

Product Category : Crimp Terminals

Product Description : 1.57mm Diameter, Standard .062" Pin and Socket Crimp Terminal, Series 1854, 3.68mm Pitch, Male, Tin (Sn) Plated Brass Contact, 22-28 AWG, Reel

状态 : Active

工程编号 : 1854T

文件和资源

图纸

[图纸 039000280_sd.pdf](#)

[包装设计图 SPK-1854-001-001.pdf](#)

[包装设计图 SPK-1854-001-002.pdf](#)

[包装设计图 SPK-1854-001-003.pdf](#)

规格

[产品规格 PS-1854-002-001.pdf](#)

[产品规格 PS-1854-003-001.pdf](#)


[测试摘要 15600000-TS-000.pdf](#)

模具规格

[压接规格 CS-1854_1855-001.pdf](#)

产物环境合规

合规

GADSL/IMDS	Compliant with Exemption 44
China RoHS	
EU ELV	Not Relevant
Low-Halogen Status	Low-Halogen per IEC 61249-2-21
REACH SVHC	Not Contained per D(2023)8585-DC (23 Jan 2024)
EU RoHS	Compliant per EU 2015/863

多部分产品合规性声明

- Eu RoHS

- REACH SVHC

- Low-Halogen

- IPC 1752A Class C
- IPC 1752A Class D
- Molex Product Compliance Declaration
- IEC-62474
- chemSHERPA (xml)

欧盟 RoHS 合格证书

产品详情

常规

状态	活动
类别	Crimp Terminals
系列	1854
说明	1.57mm Diameter, Standard .062" Pin and Socket Crimp Terminal, Series 1854, 3.68mm Pitch, Male, Tin (Sn) Plated Brass Contact, 22-28 AWG, Reel
应用	Power, Wire-to-Wire
产品系列	Standard .062"+ and Standard .062" Pin and Socket Connector Systems
产品名称	Standard .062"
UPC	800753332799

物理

性别	男
材料 - 金属	Brass
材料 - 接合部位电镀	Tin
材料 - 终端电镀	Tin
净重	143.400/mg
包装形式	Reel
最薄镀层 - 接合部位	0.889µm
最薄镀层 - 端接	0.889µm
终端界面类型	Crimp or Compression
导线绝缘直径	1.10-1.50mm
线径规格 (AWG)	22, 24, 26, 28
线缆尺寸mm ²	不适用

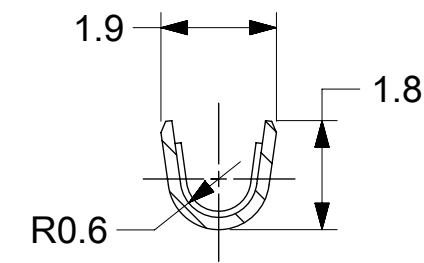
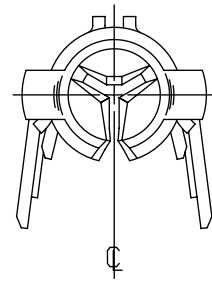
可连接使用部件

描述	产品编号
Standard .062" Pin and Socket Connector Housings	<u>1625</u>

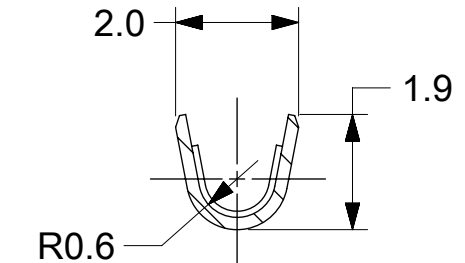
施工工具

全局

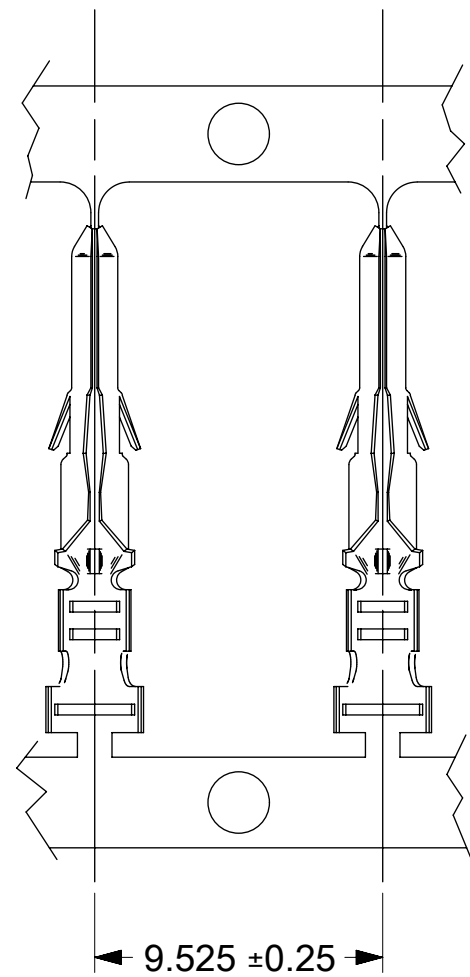
描述	产品编号
Insertion Tool for Standard .062" Diameter Male and Female Terminals	<u>11020001</u>
Extraction Tool for Standard .062" and Standard .062"+ Pin and Socket Terminals	<u>11030002</u>
PremiumGrade Hand Crimp Tool for Mini-Fit Jr. Male and Female Terminals, 22-28 AWG	<u>638190800</u>
Mini-Mac Applicator for Standard .062" Pin and Socket Terminals, for 18-24 AWG Wire with Insulation Diameter 1.52-3.05mm	<u>638914000</u>
Mini-Mac Applicator for Standard 0.062" Pin and Socket Terminals, for 22-28 AWG and 24-30 AWG Wire	<u>638914100</u>



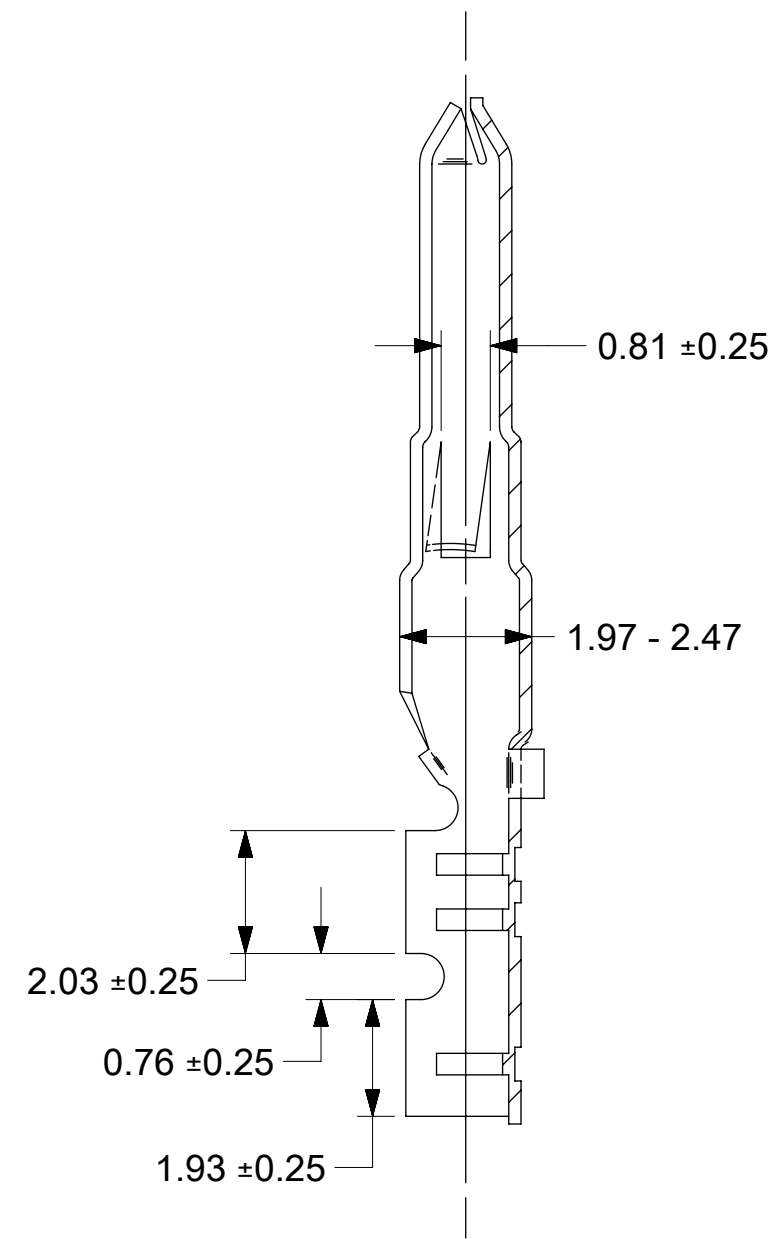
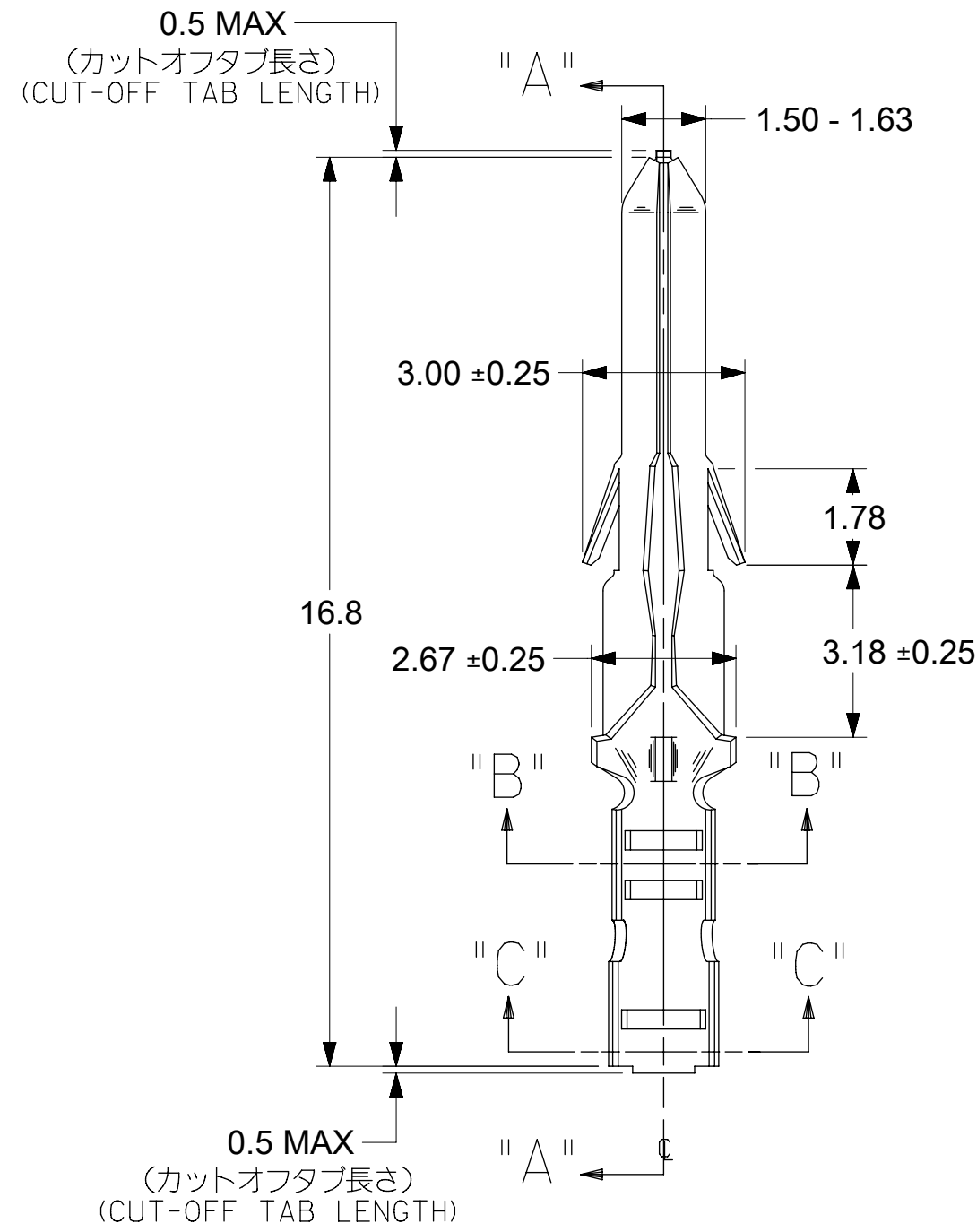
SECTION "B-B"



SECTION "C-C"



CHAIN FORM
SCALE: 4:1



SECTION "A-A"

NOTES:

1. MATERIAL: BRASS
2. FINISHES: SEE CHART
3. PRODUCT SPECIFICATION: PS-02-0-6
4. PACKAGE INFORMATION: CHAIN: 18540000-PK
CHAIN WITH INTERLEAF: 18540001-PK
5. TERMINAL FOR USE WITH (1.57)/.062 DIA. SERIES HOUSINGS AND WILL ACCEPT 22 THRU 28 AWG WIRE WITH 1.1-1.5 INSULATION DIAMETER.
6. PARTS CONFORM TO CLASS B REQUIREMENTS OF COSMETIC SPECIFICATION PS-45499-002.

一般公差 : ±0.4
GENERAL TOLERANCES: ±0.4

0.9 μm MIN. TIN OVER 0.5 μm MIN. COPPER	46999-0999	1854T1	CHAIN WITH INTERLEAF
	39-00-0280	1854T	CHAIN
PLATING	EDP. NO.	ENG. NO.	FORM

THIS DRAWING CONTAINS INFORMATION THAT IS PROPRIETARY TO MOLEX ELECTRONIC TECHNOLOGIES, LLC AND SHOULD NOT BE USED WITHOUT WRITTEN PERMISSION

DIMENSION UNITS	SCALE	CURRENT REV DESC: ADD 46999-0999		molex				
mm	8:1							
GENERAL TOLERANCES (UNLESS SPECIFIED)		EC NO: 742179		CRIMP TERMINAL, MALE .062 DIA. FOR 24-30 AWG WIRE				
ANGULAR TOL ± °		DRWN: MKIPPER 2023/03/01		PRODUCT CUSTOMER DRAWING				
4 PLACES ±		CHK'D: MKIPPER 2023/03/13		DOCUMENT NUMBER				
3 PLACES ±		APPR: FSMITH 2023/03/13		18540001-SD		DOC TYPE	DOC PART	REVISION
2 PLACES ±		INITIAL REVISION:		PSD 000 A2				
1 PLACE ±		DRWN: MKIPPER 2019/03/07		MATERIAL NUMBER		CUSTOMER		SHEET NUMBER
0 PLACES ±		APPR: FSMITH 2020/06/05		SEE TABLE		GENERAL MARKET		1 OF 1
DRAFT WHERE APPLICABLE MUST REMAIN WITHIN DIMENSIONS		THIRD ANGLE PROJECTION	DRAWING	SERIES	MATERIAL NUMBER		CUSTOMER	
			C-SIZE	1854	SEE TABLE		GENERAL MARKET	
材料 MATERIAL 黄銅 BRASS 0.2 t								
仕上げ FINISH								
適用電線範囲 WIRE RANGE AWG#22-#28								
被覆外径 INS. RANGE ∅ 1.1~1.5								

DOCUMENT STATUS	P1	RELEASE DATE	2023/03/13	23:35:26
-----------------	----	--------------	------------	----------