



产品编号 : [39000428](#)

Product Description : Mini-Fit Female Crimp Terminal, Selective Gold (Au) and Selective Tin (Sn) over Nickel (Ni), 18-24 AWG, Reel

系列号 : 5556

状态 : Active

Product Category : Crimp Terminals

工程编号 : 5556GS7F

Packaging Alternative : 39000429 (Bag)



文件和资源

图纸

[图纸 039000428_sd.pdf](#)

[包装设计图 55560001-PK-000.pdf](#)

规格

[应用规格 55560001-AS-000.pdf](#)

[产品规格 PS-51010-007-001.pdf](#)

[产品规格 PS-52034-005-001.pdf](#)

[产品规格 55560002-PS-CH-000.pdf](#)

[产品规格 55560002-PS-ES-000.pdf](#)

[产品规格 55560002-PS-SK-000.pdf](#)

[产品规格 55560008-TS-000.pdf](#)

[产品规格 PS-5556-001-001.pdf](#)


[产品规格 PS-5556-002-001.pdf](#)

[测试摘要 55560010-TS-000.pdf](#)

[测试摘要 TS-5556-002-001.pdf](#)

产物环境合规

合规

GADSL/IMDS	Not Relevant
China RoHS	
EU ELV	Not Relevant
Low-Halogen Status	Low-Halogen per IEC 61249-2-21
REACH SVHC	Not Contained per D(2023)8585-DC (23 Jan 2024)

EU RoHS	Compliant per EU 2015/863
---------	---------------------------

多部分产品合规性声明

- Eu RoHS
- REACH SVHC
- Low-Halogen

多部分行业合规性文件

- IPC 1752A Class C
- IPC 1752A Class D
- Molex Product Compliance Declaration
- IEC-62474
- chemSHERPA (xml)

欧盟 RoHS 合格证书

产品详情

常规

状态	活动
类别	Crimp Terminals
系列	5556
说明	Mini-Fit Female Crimp Terminal, Selective Gold (Au) and Selective Tin (Sn) over Nickel (Ni), 18-24 AWG, Reel
应用	Power, Wire-to-Board, Wire-to-Wire
产品系列	Mini-Fit Family Power Connectors
产品名称	Mini-Fit
UPC	822348149391

电气

每触点最大电流	9.0A
电压 - 最大	600V

物理

耐用性(插拔次数) - 最多次数	30
性别	女
材料 - 金属	Brass
材料 - 接合部位电镀	金牌

材料 - 终端电镀	Tin
净重	193.000/mg
包装形式	Reel
最薄镀层 - 接合部位	0.762µm
最薄镀层 - 端接	2.540µm
终端界面类型	Crimp or Compression
导线绝缘直径	1.30-3.10mm
线径规格 (AWG)	18, 20, 22, 24
线缆尺寸mm ²	不适用

可连接使用部件

描述	产品编号
Mini-Fit Jr. Receptacle Housings	<u>5557</u>
Mini-Fit BMI Dual Row Receptacle Housings	<u>44516</u>
Mini-Fit BMI Dual Row Receptacle Housings	<u>42474</u>
Mini-Fit BMI Dual Row Receptacle Housings	<u>43760</u>
Mini-Fit Jr. Dual Row Receptacle Housings	<u>46992</u>

施工工具

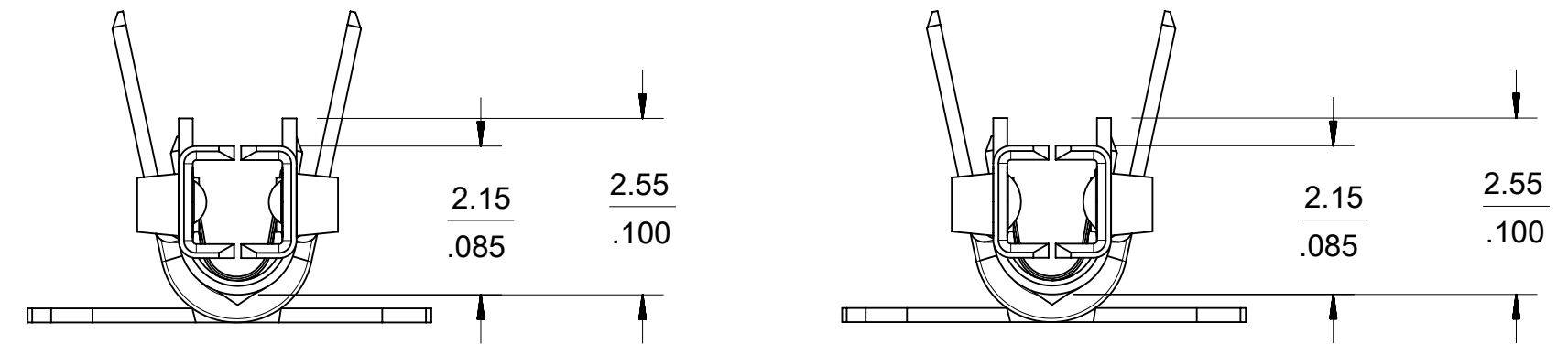
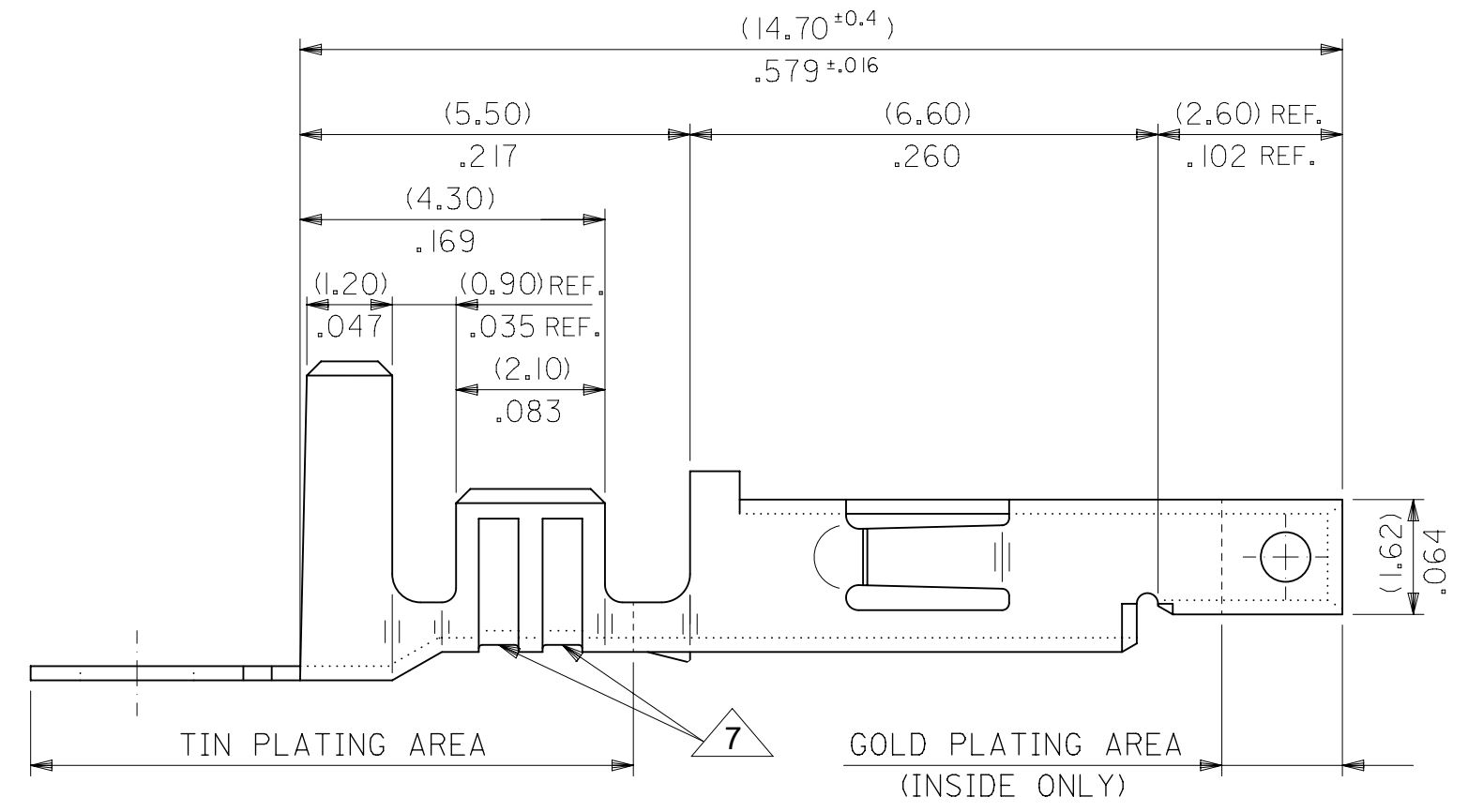
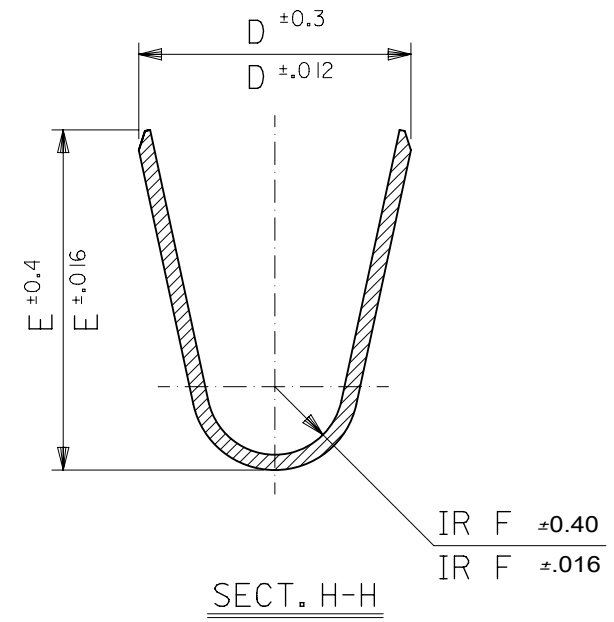
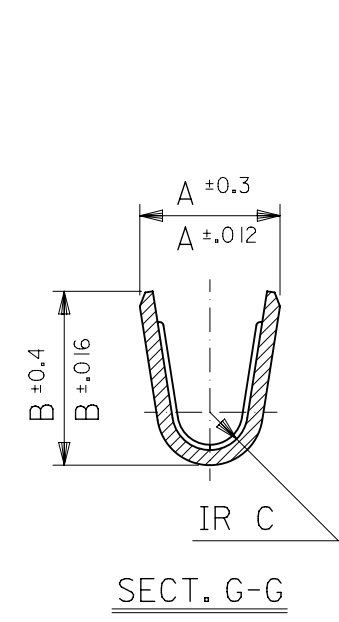
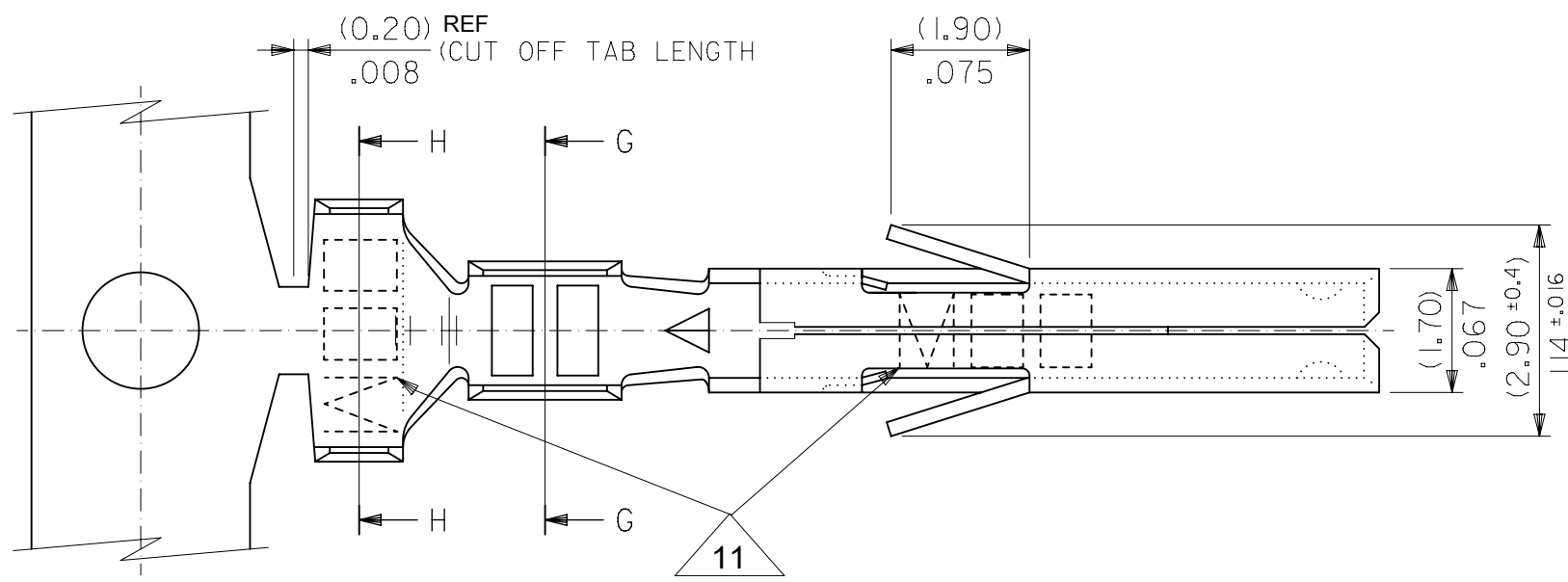
全局

描述	产品编号
Extraction Tool for Mini-Fit Jr. Terminals	<u>11030044</u>
FineAdjust Applicator for Mini-Fit Double Crimp Applications Using Two 22 AWG Wires	<u>2037026300</u>
PremiumGrade Hand Crimp Tool for Mini-Fit Jr. Male and Female Terminals, 18-24 AWG	<u>638190901</u>
FineAdjust Applicator for 18-20 AWG and 18-24 AWG Wires with Insulation Diameter 1.90-2.30mm	<u>639015600</u>
FineAdjust Applicator for Insulation OD 1.40-1.70mm - 18-24 AWG	<u>639023900</u>

FineAdjust Applicator for Insulation OD 2.50-2.95mm Optimized for 18 AWG Only	<u>639024800</u>
FineAdjust Applicator for Insulation OD 2.30-2.60mm - 18-24 AWG	<u>639024900</u>
FineAdjust Applicator for Insulation OD 2.50-2.95mm, 18-24 AWG	<u>639047800</u>
FineAdjust Applicator for Insulation OD 1.65-2.05mm, 18-24 AWG	<u>639048000</u>
T2 Terminator for Insulation OD 1.90-2.30mm - 18-24 AWG	<u>639115600</u>
T2 Terminator for insulation OD 1.40-1.70mm - 18-24 AWG	<u>639123900</u>
T2 Terminator for insulation OD 2.50-2.95mm optimized for 18 AWG only	<u>639124800</u>
T2 Terminator for insulation OD 2.30-2.60mm - 18-24 AWG	<u>639124900</u>
T2 Terminator for Mini-Fit Crimp Terminals, 18-24 AWG with Large Insulation ODs	<u>639147800</u>
T2 Terminator for Mini-Fit Crimp Terminals, 18-24 AWG with Smaller Insulation ODs	<u>639148000</u>

NOTES

1. MATERIAL: SEE CHART.
2. FINISH: SEE CHART.
3. PRODUCT SPECIFICATION: PS-5556-001, PS-5556-002, PS-5556-003.
4. PACKAGING SPECIFICATION: PK-5556-001 FOR CHAIN TERMINALS
PK-5556-003 FOR LOOSE TERMINALS.
5. MATES WITH: 5558, 5566, 5569, 30069, 30070, 42440, 42404, 43879, 43810, 44068.
6. APPLICABLE HOUSING: 5557, 30067, 44516, OR 42474.
7. THE NUMBER OF SERRATIONS TO BE ONE FOR WIRE RANGE #22-28.
8. WHEN TERMINALS ARE INSTALLED IN THE HOUSING THE WIRES ARE TO BE DRESSED IN SUCH A MANNER TO ALLOW THE TERMINALS TO FLOAT FREELY IN THE POCKET.
9. THIS TERMINAL IS DESIGNED FOR SINGLE WIRE CRIMPING.
10. PART CONFORMS TO CLASS "B" REQUIREMENTS OF COSMETIC SPECIFICATION PS-45499-002.
11. TEXT ON PART IS FOR REFERENCE ONLY. TEXT AND TEXT LOCATION MAY VARY DEPENDING ON PART NUMBER AND/OR TOOL.
12. TIN PLATING THICKNESS MEASURED AS APPLIED PRIOR TO OPTIONAL REFLOW. POST REFLOW PLATING THICKNESS TO BE 1.0um MIN



CONTACT DIMPLE CONFIGURATIONS

#18-24 TERMINAL SHOWN

SYMBOLS DIMENSION UNITS SCALE CURRENT REV DESC: ADD NOTE 12	THIS DRAWING CONTAINS INFORMATION THAT IS PROPRIETARY TO MOLEX ELECTRONIC TECHNOLOGIES, LLC AND SHOULD NOT BE USED WITHOUT WRITTEN PERMISSION		molex		
	METRIC 10:1	GENERAL TOLERANCES (UNLESS SPECIFIED)			MINI FIT JR SELECT GOLD FEMALE CRIMP TERMINAL
	4 PLACES ± ± 3 PLACES ± ± 0.01 2 PLACES ± 0.25 ± 0.01 1 PLACE ± 0.25 ± 0 PLACES ± ±	EC NO: 625416 DRWN: DSTEIER 2019/10/09 CHK'D: MKIPPER 2019/10/10 APPR: FSMITH 2019/10/10	PRODUCT CUSTOMER DRAWING		DOCUMENT NUMBER SD-5556-006
	ANGULAR TOL ± 3.0 ° DRAFT WHERE APPLICABLE MUST REMAIN WITHIN DIMENSIONS	INITIAL REVISION: DRWN: HHIRAMOT 1991/05/18 APPR: FSMITH 2013/01/11	DOC TYPE PSD	DOC PART 001	REVISION H1
THIRD ANGLE PROJECTION DRAWING SERIES C-SIZE 5556	MATERIAL NUMBER SEE CHART	CUSTOMER GENERAL MARKET	SHEET NUMBER 1 OF 2		

	12	11	10	9	8	7	6	5	4	3	2	1			
H	PHOS BRONZE	SELECTIVE GOLD (0.76um)/30m. in. MIN. AND SELECTIVE TIN (2.54um)/100m.i. MIN. OVER NICKEL (1.27um)/50m. in. MIN. OVERALL			$\frac{(0.9)}{.035}$	$\frac{(4.5)}{.177}$	$\frac{(3.6)}{.142}$	$\frac{(0.6)}{.024}$	$\frac{(2.7)}{.106}$	$\frac{(2.3)}{.091}$	$\varnothing \frac{(3.1)}{.122}$ MAX.	# 16	\uparrow -0186	PBGS3PL	LOOSE
					$\frac{(0.6)}{.024}$	$\frac{(2.3)}{.091}$	$\frac{(2.3)}{.091}$	$\frac{(0.4)}{.016}$	$\frac{(1.65)}{.065}$	$\frac{(1.8)}{.071}$	$\varnothing \frac{(0.9-1.8)}{.035-.071}$	#22-28	-0185	PBGS3P	CHAIN
					$\frac{(0.9)}{.035}$	$\frac{(4.5)}{.177}$	$\frac{(3.6)}{.142}$	$\frac{(0.5)}{.020}$	$\frac{(2.3)}{.091}$	$\frac{(1.9)}{.075}$	$\varnothing \frac{(1.3-3.1)}{.051-.122}$	# 18-24	\downarrow -0184	PBGS2PL	LOOSE
G	BRASS	SELECTIVE GOLD (1.27um)/50m. in. MIN. AND SELECTIVE TIN (2.54 um)/ 100 m.in. MIN. OVER NICKEL (1.27um)/50m. in. MIN. OVERALL			$\frac{(0.9)}{.035}$	$\frac{(4.5)}{.177}$	$\frac{(3.6)}{.142}$	$\frac{(0.6)}{.024}$	$\frac{(2.7)}{.106}$	$\frac{(2.3)}{.091}$	$\varnothing \frac{(3.1)}{.122}$ MAX.	# 16	\uparrow -0182	PBGSPL	LOOSE
					$\frac{(0.9)}{.035}$	$\frac{(4.5)}{.177}$	$\frac{(3.6)}{.142}$	$\frac{(0.5)}{.020}$	$\frac{(2.3)}{.091}$	$\frac{(1.9)}{.075}$	$\varnothing \frac{(1.3-3.1)}{.051-.122}$	# 18-24	\downarrow -0183	PBGS2P	CHAIN
					$\frac{(0.9)}{.035}$	$\frac{(4.5)}{.177}$	$\frac{(3.6)}{.142}$	$\frac{(0.6)}{.024}$	$\frac{(2.7)}{.106}$	$\frac{(2.3)}{.091}$	$\varnothing \frac{(3.1)}{.122}$ MAX.	# 16	\uparrow -0142	GS9L	LOOSE
F	BRASS	SELECTIVE GOLD (0.76um)/30m. in. MIN. AND SELECTIVE TIN (2.54 um)/ 100 m.in. MIN. OVER NICKEL (1.27um)/50m. in. MIN. OVERALL			$\frac{(0.9)}{.035}$	$\frac{(4.5)}{.177}$	$\frac{(3.6)}{.142}$	$\frac{(0.6)}{.024}$	$\frac{(2.7)}{.106}$	$\frac{(2.3)}{.091}$	$\varnothing \frac{(3.1)}{.122}$ MAX.	# 16	\uparrow -0141	GS9	CHAIN
					$\frac{(0.6)}{.024}$	$\frac{(2.3)}{.091}$	$\frac{(2.3)}{.091}$	$\frac{(0.4)}{.016}$	$\frac{(1.65)}{.065}$	$\frac{(1.8)}{.071}$	$\varnothing \frac{(0.9-1.8)}{.035-.071}$	#22-28	\downarrow -0140	GS8L	LOOSE
					$\frac{(0.9)}{.035}$	$\frac{(4.5)}{.177}$	$\frac{(3.6)}{.142}$	$\frac{(0.5)}{.020}$	$\frac{(2.3)}{.091}$	$\frac{(1.9)}{.075}$	$\varnothing \frac{(1.3-3.1)}{.051-.122}$	# 18-24	39-00-0139	GS8	CHAIN
E	BRASS	SELECTIVE GOLD (0.38um)/15m. in. MIN. AND SELECTIVE TIN (2.54 um)/ 100 m.in. MIN. OVER NICKEL (1.27um)/50m. in. MIN. OVERALL			$\frac{(0.9)}{.035}$	$\frac{(4.5)}{.177}$	$\frac{(3.6)}{.142}$	$\frac{(0.6)}{.024}$	$\frac{(2.7)}{.106}$	$\frac{(2.3)}{.091}$	$\varnothing \frac{(3.1)}{.122}$ MAX.	# 16	40-13-0852	GS7L	LOOSE
					$\frac{(0.6)}{.024}$	$\frac{(2.3)}{.091}$	$\frac{(2.3)}{.091}$	$\frac{(0.4)}{.016}$	$\frac{(1.65)}{.065}$	$\frac{(1.8)}{.071}$	$\varnothing \frac{(0.9-1.8)}{.035-.071}$	#22-28	40-13-0851	GS7	CHAIN
					$\frac{(0.9)}{.035}$	$\frac{(4.5)}{.177}$	$\frac{(3.6)}{.142}$	$\frac{(0.5)}{.020}$	$\frac{(2.3)}{.091}$	$\frac{(1.9)}{.075}$	$\varnothing \frac{(1.3-3.1)}{.051-.122}$	# 18-24	39-00-0094	GS6L	LOOSE
D	BRASS	SELECTIVE GOLD (0.76um)/30m. in. MIN. AND SELECTIVE TIN (2.54um)/100m.i. MIN. OVER NICKEL (1.27um)/50m. in. MIN. OVERALL			$\frac{(0.9)}{.035}$	$\frac{(4.5)}{.177}$	$\frac{(3.6)}{.142}$	$\frac{(0.6)}{.024}$	$\frac{(2.7)}{.106}$	$\frac{(2.3)}{.091}$	$\varnothing \frac{(3.1)}{.122}$ MAX.	# 16	\uparrow -0093	GS6	CHAIN
					$\frac{(0.6)}{.024}$	$\frac{(2.3)}{.091}$	$\frac{(2.3)}{.091}$	$\frac{(0.4)}{.016}$	$\frac{(1.65)}{.065}$	$\frac{(1.8)}{.071}$	$\varnothing \frac{(0.9-1.8)}{.035-.071}$	#22-28	-0092	GS5L	LOOSE
					$\frac{(0.9)}{.035}$	$\frac{(4.5)}{.177}$	$\frac{(3.6)}{.142}$	$\frac{(0.5)}{.020}$	$\frac{(2.3)}{.091}$	$\frac{(1.9)}{.075}$	$\varnothing \frac{(1.3-3.1)}{.051-.122}$	# 18-24	-0091	GS5	CHAIN
C	BRASS	SELECTIVE GOLD (0.76um)/30m. in. MIN. AND SELECTIVE TIN (2.54um)/100m.i. MIN. OVER NICKEL (1.27um)/50m. in. MIN. OVERALL			$\frac{(0.9)}{.035}$	$\frac{(4.5)}{.177}$	$\frac{(3.6)}{.142}$	$\frac{(0.6)}{.024}$	$\frac{(2.7)}{.106}$	$\frac{(2.3)}{.091}$	$\varnothing \frac{(3.1)}{.122}$ MAX.	# 16	-0074	GS4L	LOOSE
					$\frac{(0.6)}{.024}$	$\frac{(2.3)}{.091}$	$\frac{(2.3)}{.091}$	$\frac{(0.4)}{.016}$	$\frac{(1.65)}{.065}$	$\frac{(1.8)}{.071}$	$\varnothing \frac{(0.9-1.8)}{.035-.071}$	#22-28	-0073	GS4	CHAIN
					$\frac{(0.9)}{.035}$	$\frac{(4.5)}{.177}$	$\frac{(3.6)}{.142}$	$\frac{(0.5)}{.020}$	$\frac{(2.3)}{.091}$	$\frac{(1.9)}{.075}$	$\varnothing \frac{(1.3-3.1)}{.051-.122}$	# 18-24	-0090	GS3L	LOOSE
B	BRASS	SELECTIVE GOLD (0.76um)/30m. in. MIN. AND SELECTIVE TIN (2.54um)/100m.i. MIN. OVER NICKEL (1.27um)/50m. in. MIN. OVERALL			$\frac{(0.9)}{.035}$	$\frac{(4.5)}{.177}$	$\frac{(3.6)}{.142}$	$\frac{(0.6)}{.024}$	$\frac{(2.7)}{.106}$	$\frac{(2.3)}{.091}$	$\varnothing \frac{(3.1)}{.122}$ MAX.	# 16	-0089	GS3	CHAIN
					$\frac{(0.6)}{.024}$	$\frac{(2.3)}{.091}$	$\frac{(2.3)}{.091}$	$\frac{(0.4)}{.016}$	$\frac{(1.65)}{.065}$	$\frac{(1.8)}{.071}$	$\varnothing \frac{(0.9-1.8)}{.035-.071}$	#22-28	-0435	GS2L7F	LOOSE
					$\frac{(0.9)}{.035}$	$\frac{(4.5)}{.177}$	$\frac{(3.6)}{.142}$	$\frac{(0.5)}{.020}$	$\frac{(2.3)}{.091}$	$\frac{(1.9)}{.075}$	$\varnothing \frac{(1.3-3.1)}{.051-.122}$	# 18-24	\downarrow -0434	GS27F	CHAIN
A	BRASS	SELECTIVE GOLD (0.76um)/30m. in. MIN. AND SELECTIVE TIN (2.54um)/100m.i. MIN. OVER NICKEL (1.27um)/50m. in. MIN. OVERALL			$\frac{(0.9)}{.035}$	$\frac{(4.5)}{.177}$	$\frac{(3.6)}{.142}$	$\frac{(0.6)}{.024}$	$\frac{(2.7)}{.106}$	$\frac{(2.3)}{.091}$	$\varnothing \frac{(3.1)}{.122}$ MAX.	# 16	\downarrow -0429	GS17F	LOOSE
					$\frac{(0.6)}{.024}$	$\frac{(2.3)}{.091}$	$\frac{(2.3)}{.091}$	$\frac{(0.4)}{.016}$	$\frac{(1.65)}{.065}$	$\frac{(1.8)}{.071}$	$\varnothing \frac{(0.9-1.8)}{.035-.071}$	#22-28	39-00-0428	5556 GS7F	CHAIN
					$\frac{(0.9)}{.035}$	$\frac{(4.5)}{.177}$	$\frac{(3.6)}{.142}$	$\frac{(0.5)}{.020}$	$\frac{(2.3)}{.091}$	$\frac{(1.9)}{.075}$	$\varnothing \frac{(1.3-3.1)}{.051-.122}$	# 18-24			
	MATERIAL	FINISH			F	E	D	C	B	A	INS. RANGE	WIRE RANGE	EDP NO.	ENG. NO.	FORM

SYMBOLS	THIS DRAWING CONTAINS INFORMATION THAT IS PROPRIETARY TO MOLEX ELECTRONIC TECHNOLOGIES, LLC AND SHOULD NOT BE USED WITHOUT WRITTEN PERMISSION									
	DIMENSION UNITS		SCALE		CURRENT REV DESC: ADD NOTE 12					
$\frac{A}{\Delta} = 0$	METRIC		10:1		molex MINI FIT JR SELECT GOLD FEMALE CRIMP TERMINAL					
$\frac{E}{\nabla} = 0$	GENERAL TOLERANCES (UNLESS SPECIFIED)									
$\frac{E}{\nabla} = 0$			MM	INCH	EC NO: 625416 DRWN: DSTEIER 2019/10/09 CHK'D: MKIPPER 2019/10/10 APPR: FSMITH 2019/10/10					
$\frac{S}{\nabla} = 0$	4 PLACES	±		±	INITIAL REVISION: DRWN: HHIRAMOT 1991/05/18 APPR: FSMITH 2013/01/11					
$\nabla = 0$	3 PLACES	±		± 0.01						
$\nabla = 0$	2 PLACES	±	0.25	± 0.01	PRODUCT CUSTOMER DRAWING DOCUMENT NUMBER: SD-5556-006 DOC TYPE: PSD DOC PART: 001 REVISION: H1					
$\nabla = 0$	1 PLACE	±	0.25	±						
$\boxtimes = 0$	0 PLACES	±		±	MATERIAL NUMBER: SEE CHART CUSTOMER: GENERAL MARKET SHEET NUMBER: 2 OF 2					
$\blacksquare = 0$	ANGULAR TOL ± 3.0 °									
$\nabla = 0$	DRAFT WHERE APPLICABLE MUST REMAIN WITHIN DIMENSIONS				THIRD ANGLE PROJECTION		DRAWING	SERIES		
							C-SIZE	5556		