



产品编号 : [39012166](#)

Product Description : Mini-Fit Jr. Plug Housing, Dual Row, 16 Circuits, UL 94V-0, with Panel Mounting Ears, Natural

系列号 : 5559

状态 : Active

Product Category : Connector Housings

工程编号 : 5559-16P-210



## 文件和资源

### 图纸

[图纸 039012166\\_sd.pdf](#)

### 3D 模型和设计文件

[3D模型 039012166\\_stp.zip](#)

### 规格

[应用规格 AS-5557-001-001.pdf](#)

[应用规格 55560001-AS-000.pdf](#)

[包装规格 PK-5559-001-001.pdf](#)

[产品规格 PS-45750-001-001.pdf](#)

[产品规格 PS-5556-001-001.pdf](#)

[测试摘要 55560010-TS-000.pdf](#)

## 产物环境合规

### 合规

|                    |  |
|--------------------|--|
| GADSL/IMDS         | Not Relevant                                   |
| China RoHS         |  |
| EU ELV             | Not Relevant                                   |
| Low-Halogen Status | Low-Halogen per IEC 61249-2-21                 |
| REACH SVHC         | Not Contained per D(2023)3788-DC (14 Jun 2023) |
| EU RoHS            | Compliant per EU 2015/863                      |

[多部分产品合规性声明](#)

- Eu RoHS
- REACH SVHC
- Low-Halogen

多部分行业合规性文件

- IPC 1752A Class C
- IPC 1752A Class D
- Molex Product Compliance Declaration
- IEC-62474
- chemSHERPA (xml)

欧盟 RoHS 合格证书

## 产品详情

### 常规

|      |  |
|------|--|
| 状态   | 活动   |
| 类别   | Connector Housings   |
| 系列   | 5559   |
| 说明   | Mini-Fit Jr. Plug Housing, Dual Row, 16 Circuits, UL 94V-0, with Panel Mounting Ears, Natural  |
| 应用   | Power, Wire-to-Board, Wire-to-Wire   |
| 个评论  | Current = 13A max. per circuit when header is mated to a receptacle loaded with 45750 series terminals crimped to 16 AWG wire. See Molex product specification PS-45750-001 for additional current derating information. |
| 产品系列 | Mini-Fit Family Power Connectors   |
| 产品名称 | Mini-Fit Jr.   |
| UPC  | 800753694422   |

### 机构

|     |         |
|-----|---------|
| CSA | LR19980 |
| UL  | E29179  |

### 物理

|          |    |
|----------|----|
| 断开       | 否  |
| 电路数 (最多) | 16 |

|           |                 |
|-----------|-----------------|
| 颜色-树脂     | Natural         |
| 阻燃性       | 94V-0           |
| 性别        | Plug            |
| 符合灼热丝规范   | 否               |
| 材料 - 树脂   | Nylon           |
| 净重        | 4.824/g         |
| 行数        | 2               |
| 包装形式      | Bag             |
| 面板安装式     | 是               |
| 间距 - 插配接口 | 4.20mm          |
| 间距 - 终端界面 | 4.20mm          |
| 有极性的插配件   | 是               |
| 可堆叠的      | 否               |
| 运行温度范围    | -40° to +105° C |

---

## 可配插/可连接使用的产品

### 可配插部件

| 描述                               | 产品编号        |
|----------------------------------|-------------|
| Mini-Fit Jr. Receptacle Housings | <u>5557</u> |

### 可连接使用部件

| 描述  | 产品编号  |
|---|---|
| Pre-Crimped Lead Mini-Fit Male-to-Mini-Fit Male, Tin (Sn) Plating, 150.00mm Length, 18 AWG, Red | <a href="/content/molex/molex-dot-com/cn/zh/products/product-page.html/797580005.html">/content/molex/molex-dot-com/cn/zh/products/product-page.html/797580005.html</a> |
| Pre-Crimped Lead Mini-Fit Male-to-Mini-Fit Male, Tin (Sn) Plating, 300.00mm Length, 18 AWG, Red | <a href="/content/molex/molex-dot-com/cn/zh/products/product-page.html/797580013.html">/content/molex/molex-dot-com/cn/zh/products/product-page.html/797580013.html</a> |
| Mini-Fit Male Crimp Terminals   | <u>5558</u>   |
| Mini-Fit Plus Male Crimp Terminals  | <u>46012</u>  |
| Mini-Fit Jr. Crimp Grounding Terminals  | <u>30490</u>  |

---

This document was generated on Jan 30, 2024

NOTES:

1) MATERIAL:

- "BLANK" = NYLON 6/6, 94V-2, COLOR: NATURAL.
- "BL" = NYLON 6/6, 94V-2, COLOR: BLACK.
- "BU" = NYLON 6/6, 94V-2, COLOR: BLUE.
- "RE" = NYLON 6/6, 94V-2, COLOR: RED.
- "210" = NYLON 6/6, 94V-0, COLOR: NATURAL.
- "400" = NYLON 6/6, 94V-0, COLOR: BLACK.

2) FINISH: NOT APPLICABLE

3) PRODUCT SPECIFICATION: PS-5556-001

4) PACKAGING: BULK PACKED PER PK-5559-001

5) PART MATES WITH MOLEX RECEPTACLE #5557, 172708-0\*\*\*, 172708-1\*\*\*.

6) PART TO BE USED WITH MOLEX MALE TERMINAL #5558, #46012.

7) PART IS NOT DESIGNED FOR CURRENT SHARING.

8) CONNECTORS ARE NOT TO BE MATED OR UNMATED WHILE CIRCUITS ARE LIVE.

9) WIRES ARE TO BE DRESSED IN SUCH A MANNER TO ALLOW THE TERMINALS TO FLOAT FREELY IN THE POCKET.

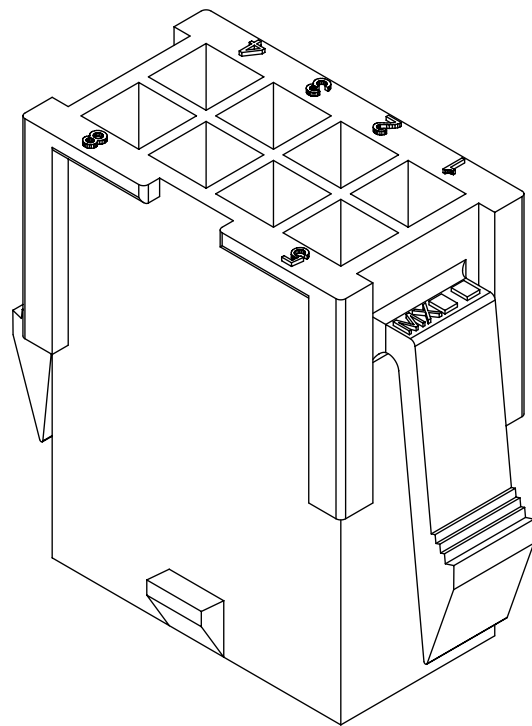
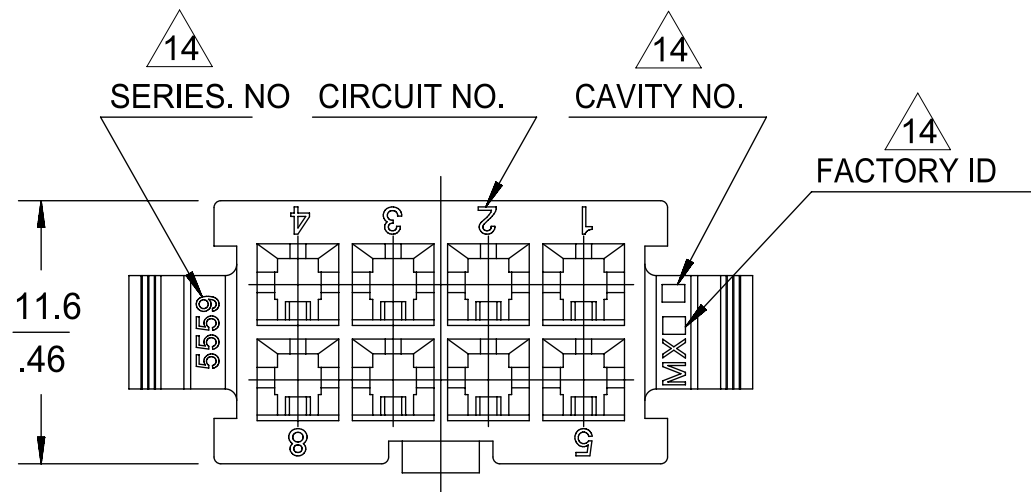
10) PART CONFORMS TO CLASS "B" REQUIREMENTS OF COSMETIC SPECIFICATION PS-45499-002 WITH THE EXCEPTION OF DISCOLORATION, FLASH AND SINK MEET CLASS "C" REQUIREMENTS.

11) ON 2 CIRCUITS PARTS THIS DIMENSION IS ALLOWABLE UP TO "D" DIMENSION.

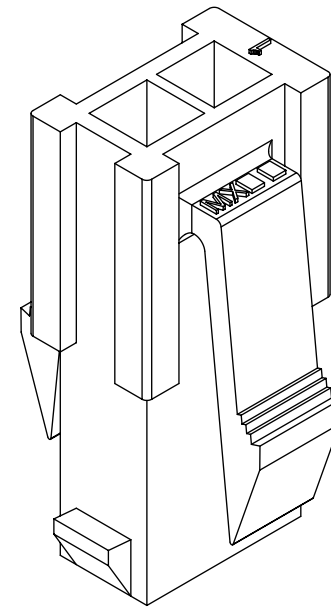
12) PANEL HOLE TO BE PUNCHED OUT IN THE SAME DIRECTION AS INSERTION INTO THE PANEL.

13) TO BE MEASURED AT SURFACE -A-

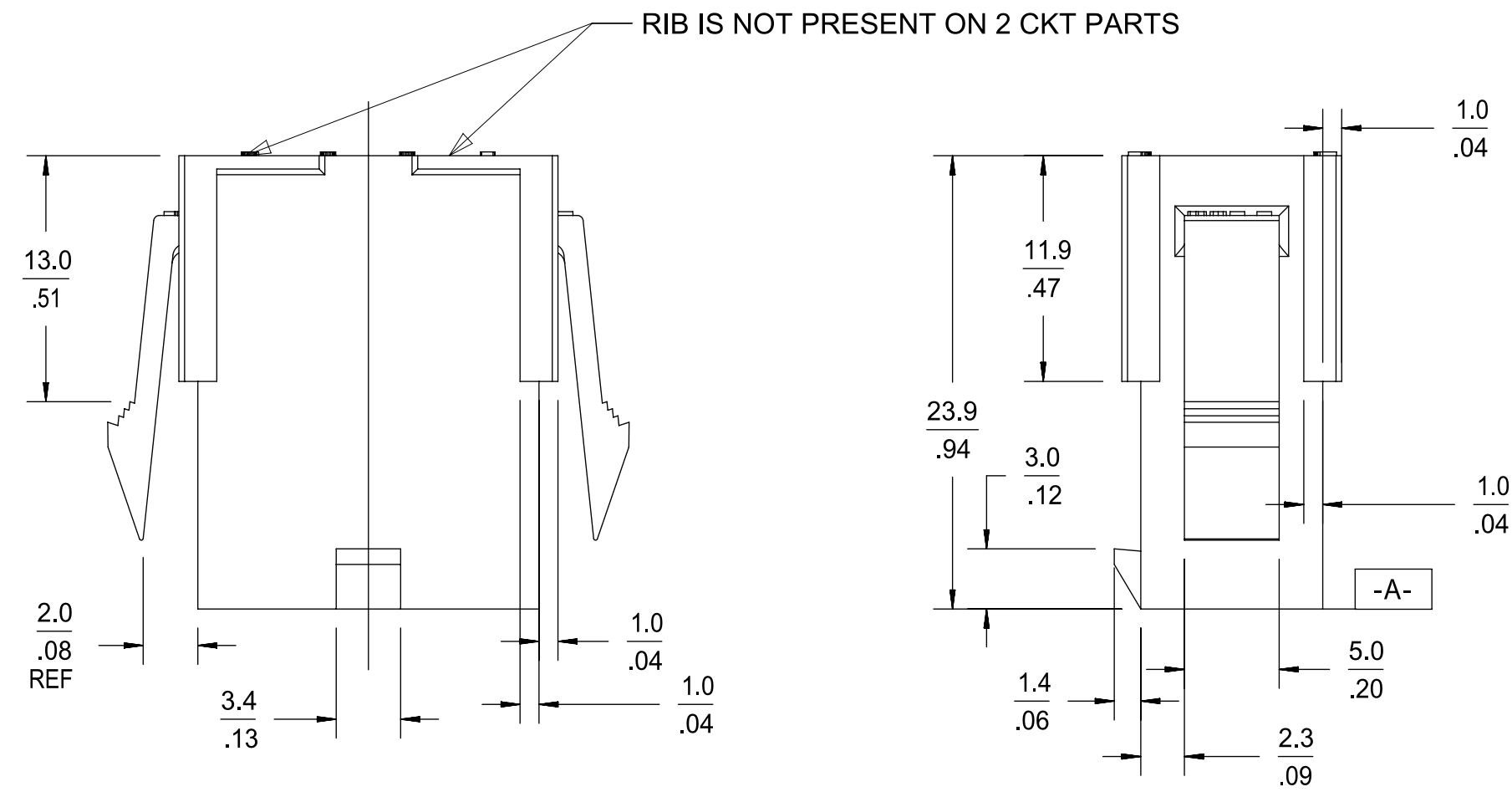
14) TEXT ON PART IS FOR REFERENCE ONLY. TEXT AND TEXT LOCATION MAY VARY DEPENDING ON PART NUMBER AND/OR TOOL.



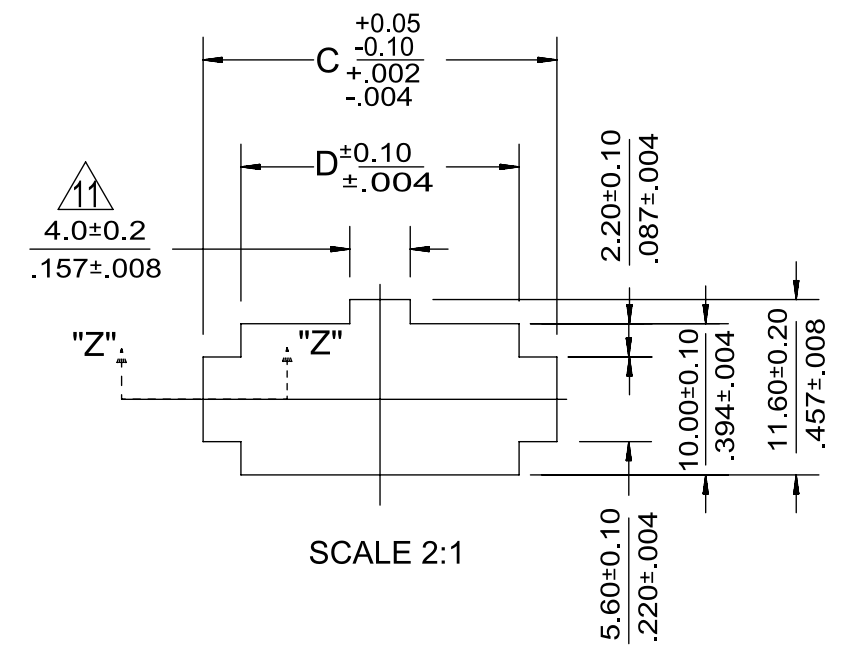
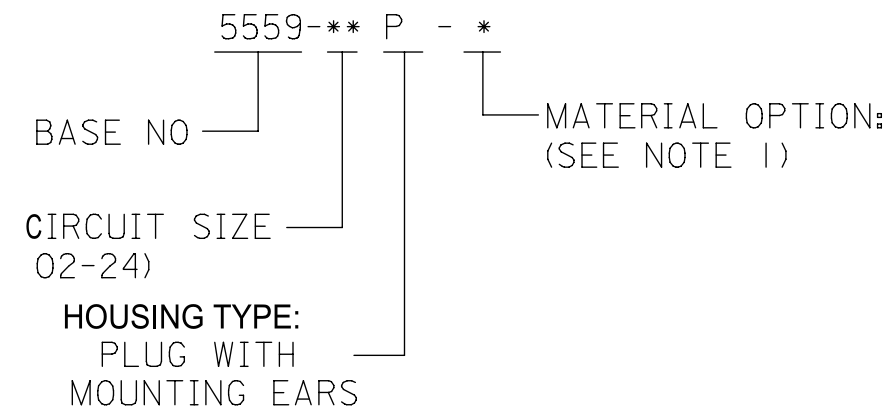
8 CKT SHOWN



2 CKT SHOWN

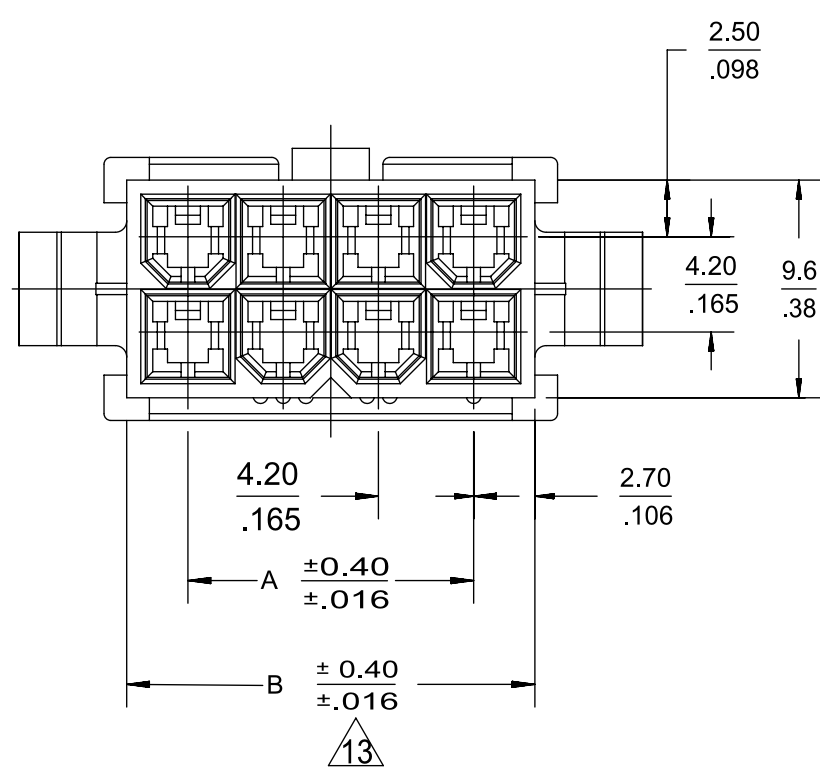
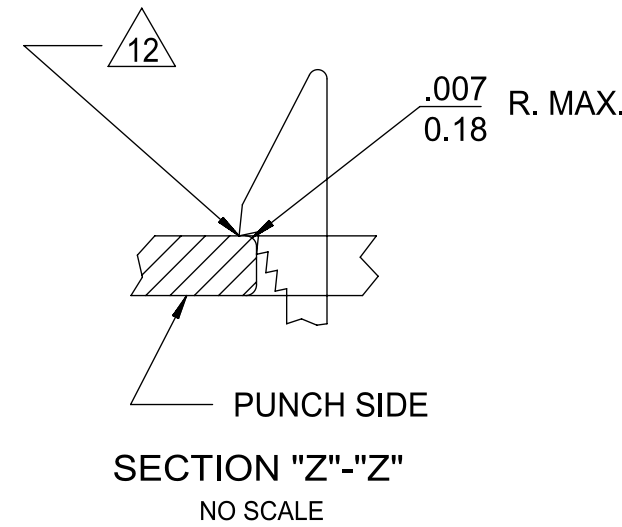


LEGEND



RECOMMENDED PANEL HOLE DIMENSIONS  
(THICKNESS : 0.8-2.0/.032-.079)

|            |            |            |            |         |
|------------|------------|------------|------------|---------|
| 52.1/2.051 | 57.0/2.244 | 51.6/2.031 | 46.2/1.819 | 24      |
| 47.9/1.886 | 52.8/2.079 | 47.4/1.866 | 42.0/1.654 | 22      |
| 43.7/1.720 | 48.6/1.913 | 43.2/1.701 | 37.8/1.488 | 20      |
| 39.5/1.555 | 44.4/1.748 | 39.0/1.535 | 33.6/1.323 | 18      |
| 35.3/1.390 | 40.2/1.583 | 34.8/1.370 | 29.4/1.158 | 16      |
| 31.1/1.224 | 36.0/1.417 | 30.6/1.205 | 25.2/.992  | 14      |
| 26.8/1.055 | 31.8/1.252 | 26.4/1.039 | 21.0/.827  | 12      |
| 22.6/.890  | 27.6/1.087 | 22.2/.874  | 16.8/.661  | 10      |
| 18.4/.724  | 23.4/.921  | 18.0/.709  | 12.6/.496  | 8       |
| 14.2/.559  | 19.2/.756  | 13.8/.543  | 8.4/.331   | 6       |
| 10.0/.394  | 15.0/.591  | 9.6/.378   | 4.2/.165   | 4       |
| 5.8/.228   | 10.8/.425  | 5.4/.213   | —          | 2       |
| D          | C          | B          | A          | CIRCUIT |



THIS DRAWING REPLACES SD-5559-NP

|   |  |                        |  |                   |  |                             |  |                 |  |
|---|--|------------------------|--|-------------------|--|-----------------------------|--|-----------------|--|
| THIS DRAWING CONTAINS INFORMATION THAT IS PROPRIETARY TO MOLEX ELECTRONIC TECHNOLOGIES, LLC AND SHOULD NOT BE USED WITHOUT WRITTEN PERMISSION |  |                        |  |                   |  |                             |  |                 |  |
| DIMENSION UNITS   |  | SCALE                  |  | CURRENT REV DESC: |  |                             |  |                 |  |
| IN/MM   |  | NTS                    |  |                   |  |                             |  |                 |  |
| GENERAL TOLERANCES (UNLESS SPECIFIED)   |  |                        |  |                   |  |                             |  |                 |  |
|   |  | MM                     |  | INCH              |  |                             |  |                 |  |
| 4 PLACES  |  | ±                      |  | ±                 |  | EC NO: 768511               |  |                 |  |
| 3 PLACES  |  | ±                      |  | ± 0.012           |  | DRWN: JERRYW8 2023/11/02    |  |                 |  |
| 2 PLACES  |  | ±                      |  | 0.3 ± 0.016       |  | CHK'D: XQZHANG 2023/11/15   |  |                 |  |
| 1 PLACE   |  | ±                      |  | 0.4 ±             |  | APPR: XQZHANG 2023/11/15    |  |                 |  |
| 0 PLACES  |  | ±                      |  | ±                 |  | INITIAL REVISION:           |  |                 |  |
| ANGULAR TOL   |  | ±                      |  | 3.0 °             |  | DRWN: H.HIRAMOTO 1998/10/14 |  |                 |  |
| DRAFT WHERE APPLICABLE MUST REMAIN WITHIN DIMENSIONS  |  | THIRD ANGLE PROJECTION |  | DRAWING           |  | SERIES                      |  | SHEET NUMBER    |  |
|   |  | C-SIZE                 |  | 5559              |  | SEE TABLE                   |  | 1 OF 2          |  |
| DOCUMENT STATUS   |  | P1                     |  | RELEASE DATE      |  | 2023/11/15 09:48:26         |  | MATERIAL NUMBER |  |
|   |  |                        |  |                   |  |                             |  | CUSTOMER        |  |
|   |  |                        |  |                   |  |                             |  | GENERAL MARKET  |  |
|   |  |                        |  |                   |  |                             |  | PSD 000 A3      |  |

**molex**

MINI. FIT JR DUAL ROW  
2-24CKT PLUG HOUSING WITH EARS

PRODUCT CUSTOMER DRAWING

DOCUMENT NUMBER | DOC TYPE | DOC PART | REVISION

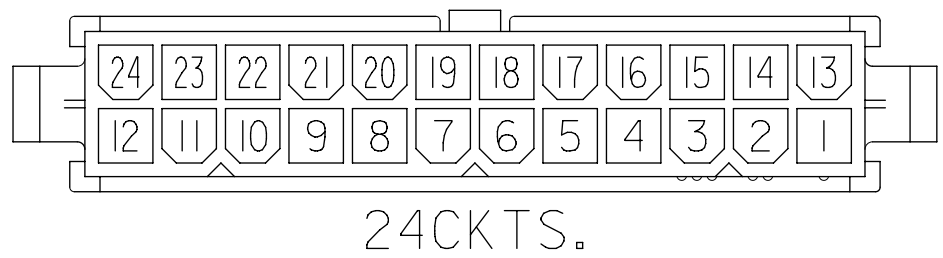
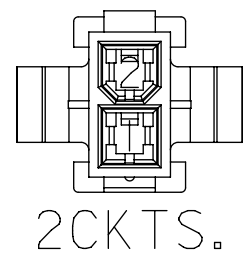
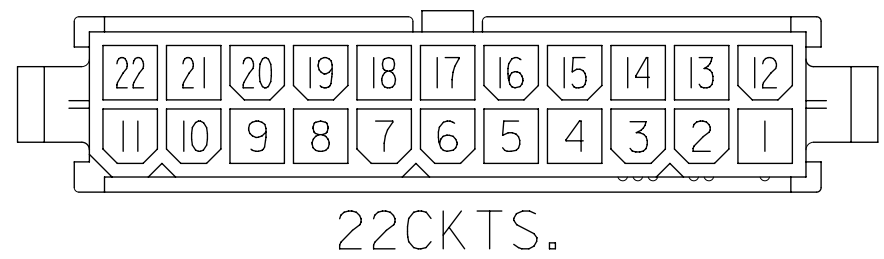
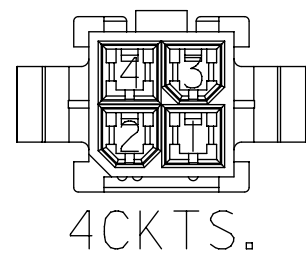
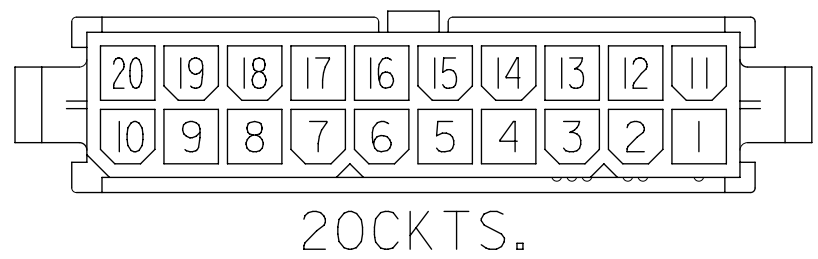
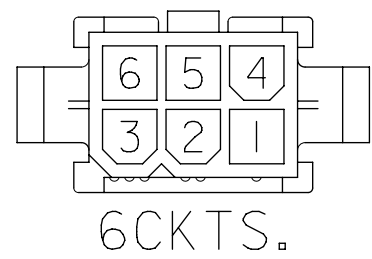
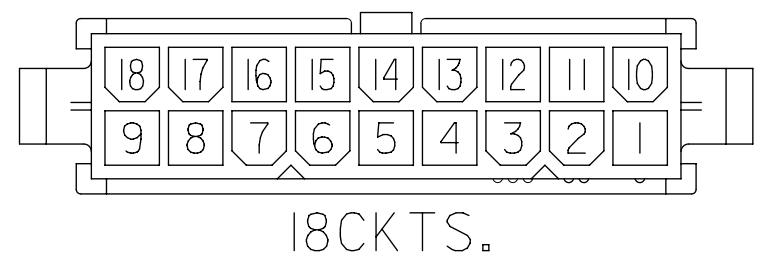
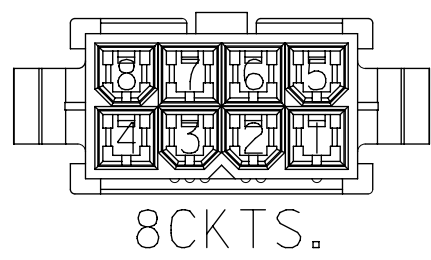
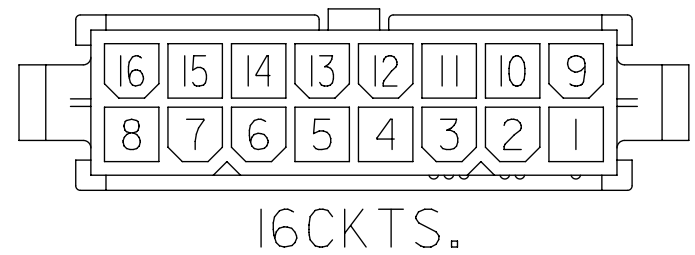
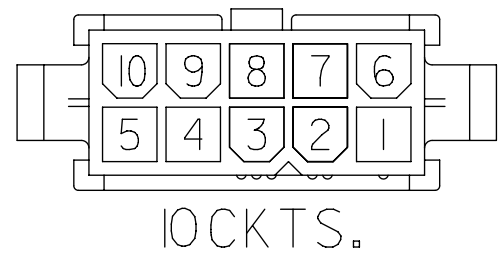
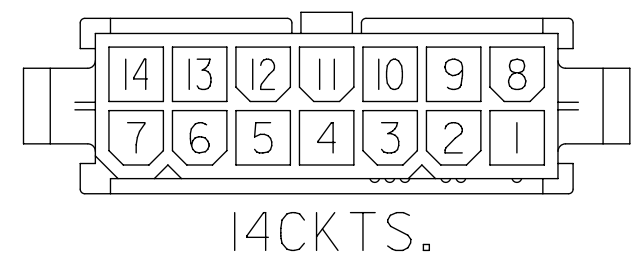
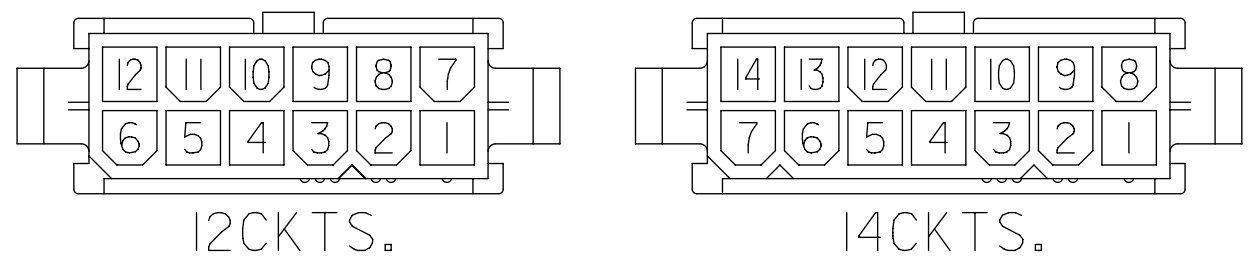
55590020-SD | PSD | 000 | A3

MATERIAL NUMBER | CUSTOMER

SEE TABLE | GENERAL MARKET

DOCUMENT STATUS | P1 | RELEASE DATE | 2023/11/15 09:48:26

12 | 11 | 10 | 9 | 8 | 7 | 6 | 5 | 4 | 3 | 2 | 1



CIRCUIT SIZE LAYOUT (SCALE : 2-1)

| V-2 BLACK  |             |         | V-0 BLACK  |              |         |
|------------|-------------|---------|------------|--------------|---------|
| 46999-0157 | 5559-24P-BL | 24      | 46999-0304 | 5559-24P-400 | 24      |
|            |             | 22      | 46999-0303 | 5559-22P-400 | 22      |
| 39-02-8205 | 5559-20P-BL | 20      | 46999-0302 | 5559-20P-400 | 20      |
|            |             | 18      | 46999-0301 | 5559-18P-400 | 18      |
|            |             | 16      | 46999-0300 | 5559-16P-400 | 16      |
|            |             | 14      | 46999-0299 | 5559-14P-400 | 14      |
|            |             | 12      | 46999-0298 | 5559-12P-400 | 12      |
|            |             | 10      | 46999-0297 | 5559-10P-400 | 10      |
|            |             | 8       | 46999-0296 | 5559-08P-400 | 8       |
| 39-02-8065 | 5559-06P-BL | 6       | 46999-0295 | 5559-06P-400 | 6       |
|            |             | 4       | 46999-0294 | 5559-04P-400 | 4       |
|            |             | 2       | 46999-0293 | 5559-02P-400 | 2       |
| EDP NO.    | ENG. NO.    | CIRCUIT | EDP NO.    | ENG. NO.     | CIRCUIT |

| V-2 BLUE |          |         | V-2 RED |          |         | V-0 NATURAL |               |         | V-2 NATURAL |          |         |
|----------|----------|---------|---------|----------|---------|-------------|---------------|---------|-------------|----------|---------|
|          |          | 24      |         |          | 24      | 39-01-2246  | 5559 -24P-210 | 24      | 39-01-2241  | 5559-24P | 24      |
|          |          | 22      |         |          | 22      | ▲ -2226     | ▲ -22P-210    | 22      | ▲ -2221     | ▲ -22P   | 22      |
|          |          | 20      |         |          | 20      | -2206       | -20P-210      | 20      | -2201       | -20P     | 20      |
|          |          | 18      |         |          | 18      | -2186       | -18P-210      | 18      | -2181       | -18P     | 18      |
|          |          | 16      |         |          | 16      | -2166       | -16P-210      | 16      | -2161       | -16P     | 16      |
|          |          | 14      |         |          | 14      | -2146       | -14P-210      | 14      | -2141       | -14P     | 14      |
|          |          | 12      |         |          | 12      | -2126       | -12P-210      | 12      | -2121       | -12P     | 12      |
|          |          | 10      |         |          | 10      | -2106       | -10P-210      | 10      | -2101       | -10P     | 10      |
|          |          | 8       |         |          | 8       | -2086       | -08P-210      | 8       | -2081       | -08P     | 8       |
|          |          | 6       |         |          | 6       | -2066       | -06P-210      | 6       | -2061       | -06P     | 6       |
|          |          | 4       |         |          | 4       | ▼ -2046     | ▼ -04P-210    | 4       | ▼ -2041     | ▼ -04P   | 4       |
|          |          | 2       |         |          | 2       | 39-01-2026  | 5559 -02P-210 | 2       | 39-01-2021  | 5559-02P | 2       |
| EDP NO.  | ENG. NO. | CIRCUIT | EDP NO. | ENG. NO. | CIRCUIT | EDP NO.     | ENG. NO.      | CIRCUIT | EDP NO.     | ENG. NO. | CIRCUIT |

THIS DRAWING CONTAINS INFORMATION THAT IS PROPRIETARY TO MOLEX ELECTRONIC TECHNOLOGIES, LLC AND SHOULD NOT BE USED WITHOUT WRITTEN PERMISSION

|  |                        |                   |  |
|--|------------------------|-------------------|--|
| DIMENSION UNITS                                      | SCALE                  | CURRENT REV DESC: | <b>molex</b>   |
| IN/MM  | NTS                    |                   |  |
| GENERAL TOLERANCES (UNLESS SPECIFIED)                |                        |                   |  |
|  | MM                     | INCH              |  |
| 4 PLACES   | ±                      | ±                 | EC NO: 768511<br>DRWN: JERRYW8 2023/11/02<br>CHK'D: XQZHANG 2023/11/15<br>APPR: XQZHANG 2023/11/15 |
| 3 PLACES   | ±                      | ± 0.012           |  |
| 2 PLACES   | ± 0.3                  | ± 0.016           |  |
| 1 PLACE  | ± 0.4                  | ±                 |  |
| 0 PLACES   | ±                      | ±                 | INITIAL REVISION:<br>DRWN: H.HIRAMOTO 1998/10/14<br>APPR: E.ENOMOTO 1998/10/24                     |
| ANGULAR TOL  | ± 3.0 °                |                   |  |
| DRAFT WHERE APPLICABLE MUST REMAIN WITHIN DIMENSIONS | THIRD ANGLE PROJECTION | DRAWING           | SERIES   |
|  |                        | C-SIZE            | 5559   |
| DOCUMENT NUMBER                                      | DOC TYPE               | DOC PART          | REVISION   |
| 55590020-SD  | PSD                    | 000               | A3   |
| MATERIAL NUMBER                                      | CUSTOMER               | SHEET NUMBER      |  |
| SEE TABLE  | GENERAL MARKET         | 2 OF 2            |  |