



产品编号 : [39013049](#)

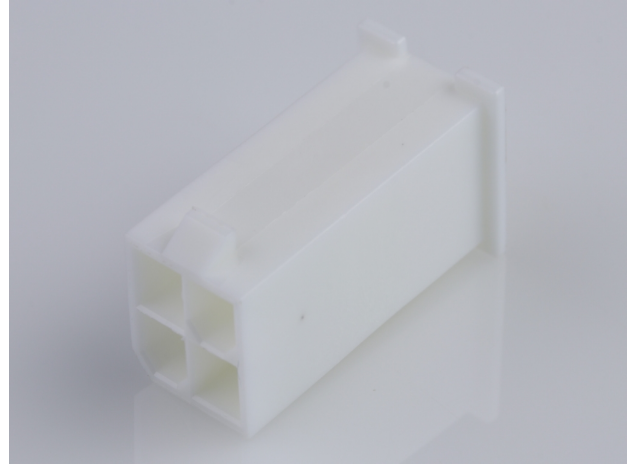
Product Description : Mini-Fit Jr. Plug Housing, Dual Row, 4 Circuits, UL 94V-0, without Panel Mounting Ears, Natural

系列号 : 5559

状态 : Active

Product Category : Connector Housings

工程编号 : 5559-04P1-210



文件和资源

图纸

[图纸 039013049_sd.pdf](#)

3D 模型和设计文件

[3D模型 039013049_stp.zip](#)

规格

[应用规格 55560001-AS-000.pdf](#)

[应用规格 AS-5557-001-001.pdf](#)

[包装规格 PK-5559-002-001.pdf](#)

[产品规格 PS-45750-001-001.pdf](#)

[产品规格 PS-5556-001-001.pdf](#)

[测试摘要 55560010-TS-000.pdf](#)

[测试摘要 TS-5556-002-001.pdf](#)

产物环境合规

合规

GADSL/IMDS	Not Relevant
China RoHS	
EU ELV	Compliant per 2000/53/EC
Low-Halogen Status	Low-Halogen per IEC 61249-2-21
REACH SVHC	Not Contained per D(2023)3788-DC (14 Jun 2023)
EU RoHS	Compliant per EU 2015/863

多部分产品合规性声明

- Eu RoHS
- REACH SVHC
- Low-Halogen

多部分行业合规性文件

- IPC 1752A Class C
- IPC 1752A Class D
- Molex Product Compliance Declaration
- IEC-62474
- chemSHERPA (xml)

欧盟 RoHS 合格证书

产品详情

常规

状态	活动
类别	Connector Housings
系列	5559
说明	Mini-Fit Jr. Plug Housing, Dual Row, 4 Circuits, UL 94V-0, without Panel Mounting Ears, Natural
应用	Power, Wire-to-Board, Wire-to-Wire
个评论	Current = 13A max. per circuit when header is mated to a receptacle loaded with 45750 series terminals crimped to 16 AWG wire. See Molex product specification PS-45750-001 for additional current derating information.
产品系列	Mini-Fit Family Power Connectors
产品名称	Mini-Fit Jr.
UPC	800754203739

机构

CSA	LR19980
UL	E29179

物理

断开	否
----	---

电路数 (最多)	4
颜色-树脂	Natural
阻燃性	94V-0
性别	Plug
符合灼热丝规范	否
插接极性	无
锁定插接部位	是
材料 - 树脂	Nylon
净重	1.400/g
行数	2
包装形式	Bag
面板安装式	否
间距 - 插配接口	4.20mm
间距 - 终端界面	4.20mm
有极性的插配件	是
可堆叠的	否
运行温度范围	-40° to +105° C

进程

无铅	不适用
----	-----

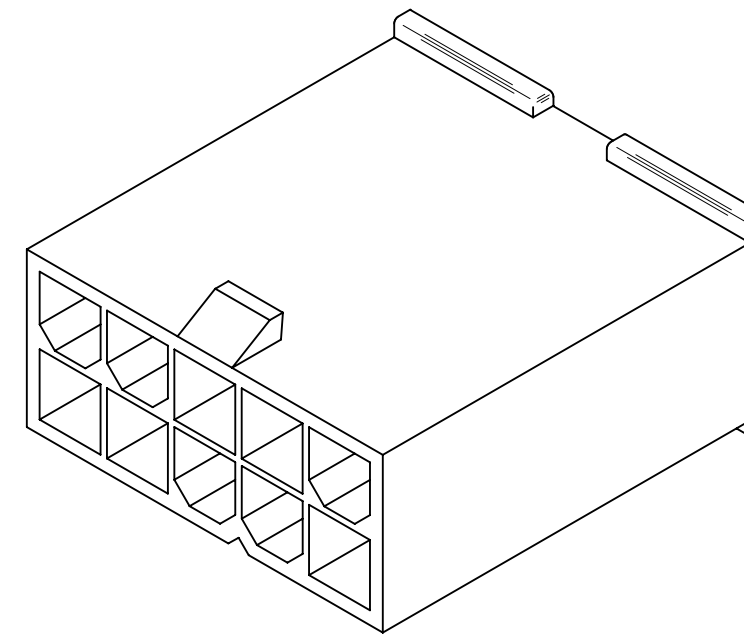
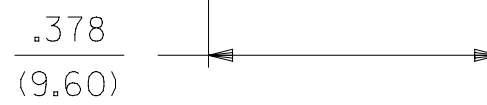
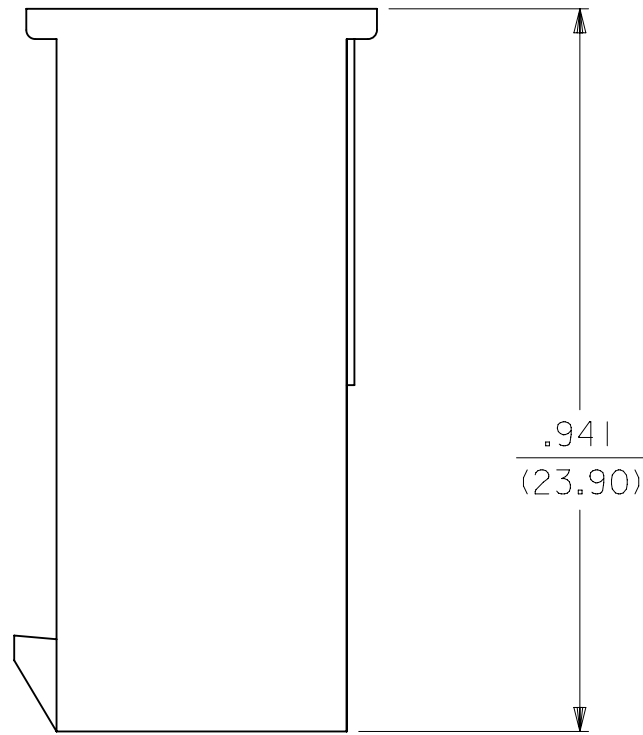
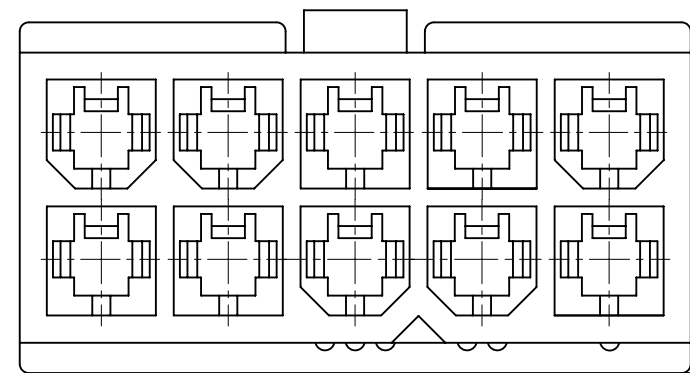
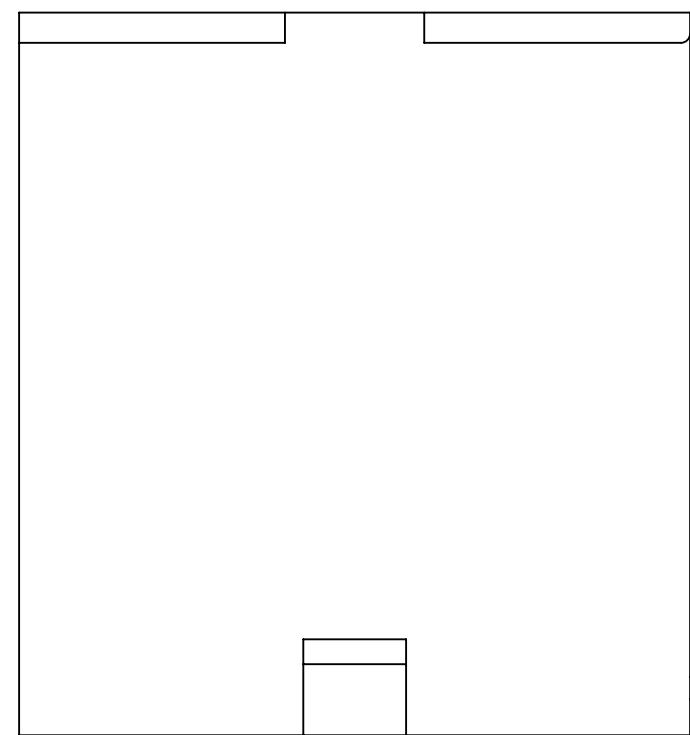
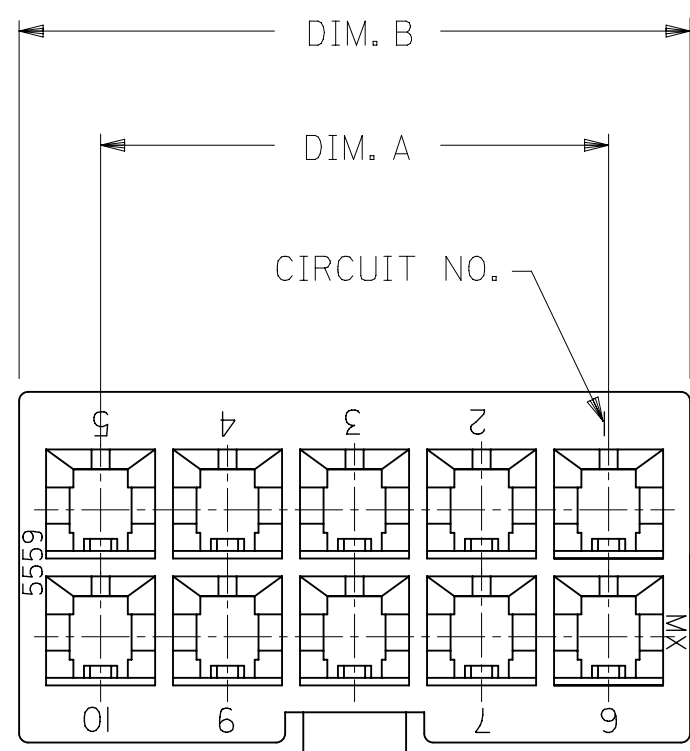
可配插/可连接使用的产品

可配插部件

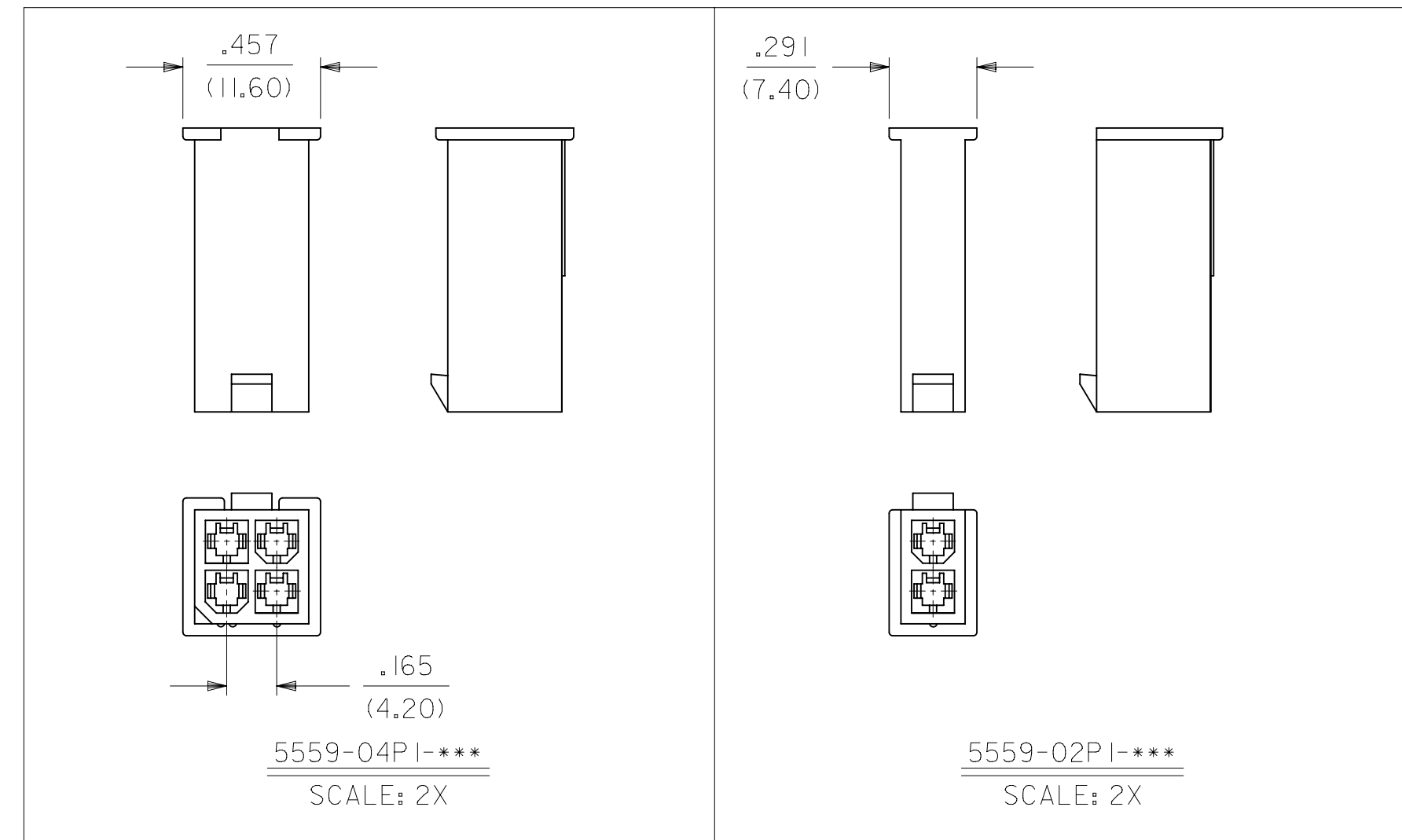
描述	产品编号
Mini-Fit Jr. Receptacle Housing, Dual Row, 4 Circuits, UL 94V-0, Natural	<u>0039012045</u>
Mini-Fit Jr. Receptacle Housing, Dual Row, 4 Circuits, UL 94V-0, Natural	<u>0039013048</u>
Mini-Fit TPA2-to-Mini-Fit TPA2 Off-the-Shelf (OTS) Cable Assemblies	<u>45135</u>
Mini-Fit Jr.-to-Mini-Fit Jr. Off-the-Shelf (OTS) Overmolded Cable Assemblies	<u>245135</u>

可连接使用部件

描述	产品编号
Pre-Crimped Lead Mini-Fit Male-to-Mini-Fit Male, Tin (Sn) Plating, 150.00mm Length, 18 AWG, Red	/content/molex/molex-dot-com/cn/zh/products/product-page.html/797580005.html
Pre-Crimped Lead Mini-Fit Male-to-Mini-Fit Male, Tin (Sn) Plating, 300.00mm Length, 18 AWG, Red	/content/molex/molex-dot-com/cn/zh/products/product-page.html/797580013.html
Mini-Fit Male Crimp Terminals	5558
Mini-Fit Plus Male Crimp Terminals	46012
Mini-Fit Jr. Crimp Grounding Terminals	30490
Mini-Fit Jr. Hermaphroditic Backshells	204723



CKT. SIZE	DIM. A	DIM. B
6	.331 (8.40)	.543 (13.80)
8	.496 (12.60)	.709 (18.00)
10	.661 (16.80)	.874 (22.20)
12	.827 (21.00)	1.039 (26.40)
14	.992 (25.20)	1.205 (30.60)
16	1.157 (29.40)	1.370 (34.80)
18	1.323 (33.60)	1.535 (39.00)
20	1.488 (37.80)	1.701 (43.20)
22	1.654 (42.00)	1.866 (47.40)
24	1.819 (46.20)	2.031 (51.60)



NOTES:

- MATERIAL: BLANK=NYLON 6/6, UL 94V-2, COLOR: NATURAL
BL=NYLON 6/6, UL 94V-2, COLOR: BLACK
210=NYLON 6/6, UL 94V-0, COLOR: NATURAL
400=NYLON 6/6, UL 94V-0, COLOR: BLACK
- FINISH: N/A.
- PRODUCT SPECIFICATION: PS-5556-001.
- PACKAGING SPECIFICATION: PK-5559-002.
- THIS PART MATES WITH RECEPTACLE #5557, 172708-0***, 172708-1***.
- THIS PART IS FOR USE WITH MOLEX MALE TERMINAL #5558, #46012.
- PART IS NOT DESIGNED FOR CURRENT SHARING.
- CONNECTORS ARE NOT TO BE MATED OR UNMATED WHILE CIRCUITS ARE LIVE.
- WIRES ARE TO BE DRESSED IN SUCH A MANNER TO ALLOW THE TERMINALS TO FLOAT FREELY IN THE POCKET.
- PART CONFORMS TO CLASS "B" REQUIREMENTS OF COSMETIC SPECIFICATION PS-45499-002 WITH THE EXCEPTION OF DISCOLORATION. FLASH AND SINK MEET CLASS "C" REQUIREMENTS.

THIS DRAWING CONTAINS INFORMATION THAT IS PROPRIETARY TO MOLEX ELECTRONIC TECHNOLOGIES, LLC AND SHOULD NOT BE USED WITHOUT WRITTEN PERMISSION									
DIMENSION UNITS		SCALE		CURRENT REV DESC:					
IN/MM		NTS							
GENERAL TOLERANCES (UNLESS SPECIFIED)				EC NO: 768511		2023/11/02		MINI FIT JR SERIES PLUG W/O MTG. EARS	
				DRWN: JERRYW8		2023/11/15			
				CHK'D: XQZHANG		2023/11/15		PRODUCT CUSTOMER DRAWING	
				APPR: XQZHANG		2023/11/15			
				INITIAL REVISION:				55590001-SD	
				DRWN: RJF		1989/09/22			
				APPR: ROS		1989/09/22		DOCUMENT NUMBER: 55590001-SD DOC TYPE: PSD DOC PART: 000 REVISION: A1	
DRAFT WHERE APPLICABLE MUST REMAIN WITHIN DIMENSIONS		THIRD ANGLE PROJECTION		DRAWING		SERIES		SHEET NUMBER	
				C-SIZE		5559		1 OF 2	

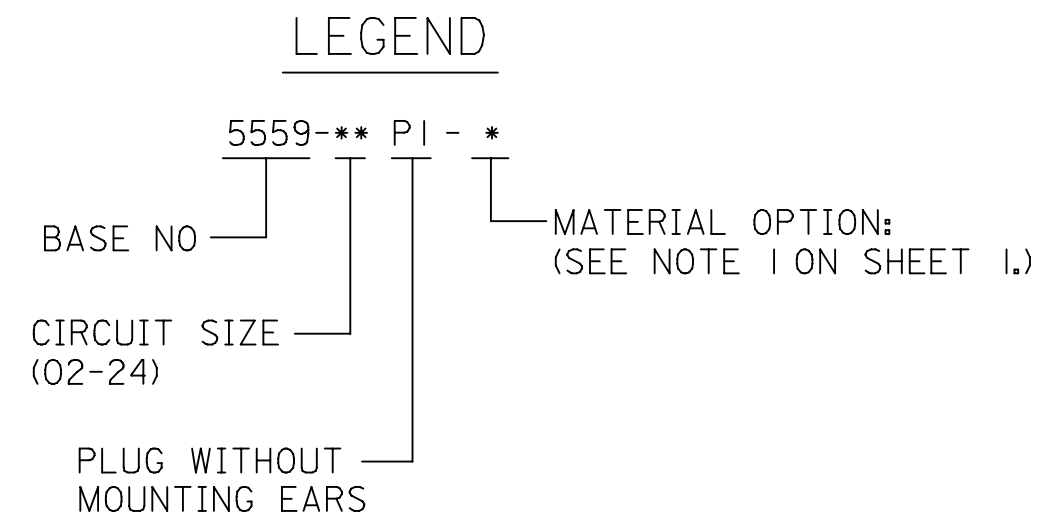
THIS DRAWING REPLACES DRAWING SD-5559-NP1*

PART NUMBER	ENG. NUMBER	CIRCUIT SIZE	MATERIAL
39-01-3023	5559-02P I	2	94V-2
39-01-3043	5559-04P I	4	94V-2
39-01-3063	5559-06P I	6	94V-2
39-01-3083	5559-08P I	8	94V-2
39-01-3103	5559-10P I	10	94V-2
39-01-3123	5559-12P I	12	94V-2
39-01-3143	5559-14P I	14	94V-2
39-01-3163	5559-16P I	16	94V-2
39-01-3183	5559-18P I	18	94V-2
39-01-3203	5559-20P I	20	94V-2
39-01-3223	5559-22P I	22	94V-2
39-01-3243	5559-24P I	24	94V-2

PART NUMBER	ENG. NUMBER	CIRCUIT SIZE	MATERIAL
39-01-3029	5559-02P I-2 I0	2	94V-0
39-01-3049	5559-04P I-2 I0	4	94V-0
39-01-3069	5559-06P I-2 I0	6	94V-0
39-01-3089	5559-08P I-2 I0	8	94V-0
39-01-3109	5559-10P I-2 I0	10	94V-0
39-01-3129	5559-12P I-2 I0	12	94V-0
39-01-3149	5559-14P I-2 I0	14	94V-0
39-01-3169	5559-16P I-2 I0	16	94V-0
39-01-3189	5559-18P I-2 I0	18	94V-0
39-01-3209	5559-20P I-2 I0	20	94V-0
39-01-3229	5559-22P I-2 I0	22	94V-0
39-01-3249	5559-24P I-2 I0	24	94V-0

PART NUMBER	ENG. NUMBER	CIRCUIT SIZE	MATERIAL
46999-0275	5559-02P I-400	2	94V-0 BLACK
46999-0276	5559-04P I-400	4	94V-0 BLACK
46999-0277	5559-06P I-400	6	94V-0 BLACK
46999-0278	5559-08P I-400	8	94V-0 BLACK
46999-0279	5559-10P I-400	10	94V-0 BLACK
46999-0280	5559-12P I-400	12	94V-0 BLACK
46999-0281	5559-14P I-400	14	94V-0 BLACK
46999-0282	5559-16P I-400	16	94V-0 BLACK
46999-0283	5559-18P I-400	18	94V-0 BLACK
46999-0284	5559-20P I-400	20	94V-0 BLACK
46999-0285	5559-22P I-400	22	94V-0 BLACK
46999-0286	5559-24P I-400	24	94V-0 BLACK

PART NUMBER	ENG. NUMBER	CIRCUIT SIZE	MATERIAL
39-01-3026	5559-02P1-BL	2	94V-2 BLACK
39-01-3046	5559-04P1-BL	4	94V-2 BLACK
39-01-3066	5559-06P1-BL	6	94V-2 BLACK
39-01-3086	5559-08P1-BL	8	94V-2 BLACK
39-01-3106	5559-10P1-BL	10	94V-2 BLACK
39-01-3126	5559-12P1-BL	12	94V-2 BLACK
39-01-3146	5559-14P1-BL	14	94V-2 BLACK
39-01-3166	5559-16P1-BL	16	94V-2 BLACK



THIS DRAWING CONTAINS INFORMATION THAT IS PROPRIETARY TO MOLEX ELECTRONIC TECHNOLOGIES, LLC AND SHOULD NOT BE USED WITHOUT WRITTEN PERMISSION									
DIMENSION UNITS IN/MM		SCALE NTS		CURRENT REV DESC:				molex	
GENERAL TOLERANCES (UNLESS SPECIFIED)				EC NO: 768511					
	MM		INCH	DRWN: JERRYW8		2023/11/02		MINI FIT JR SERIES PLUG W/O MTG. EARS	
4 PLACES	±		±	CHK'D: XQZHANG		2023/11/15			
3 PLACES	±	0.38	±	APPR: XQZHANG		2023/11/15		PRODUCT CUSTOMER DRAWING	
2 PLACES	±		±	INITIAL REVISION:				DOCUMENT NUMBER	
1 PLACE	±		±	DRWN: RJF		1989/09/22		55590001-SD	
0 PLACES	±		±	APPR: ROS		1989/09/22		PSD 000 A1	
ANGULAR TOL ± 0.5 °				THIRD ANGLE PROJECTION		DRAWING		SERIES	
DRAFT WHERE APPLICABLE MUST REMAIN WITHIN DIMENSIONS						C-SIZE		5559	
				MATERIAL NUMBER		CUSTOMER		SHEET NUMBER	
				SEE CHART		GENERAL MARKET		2 OF 2	