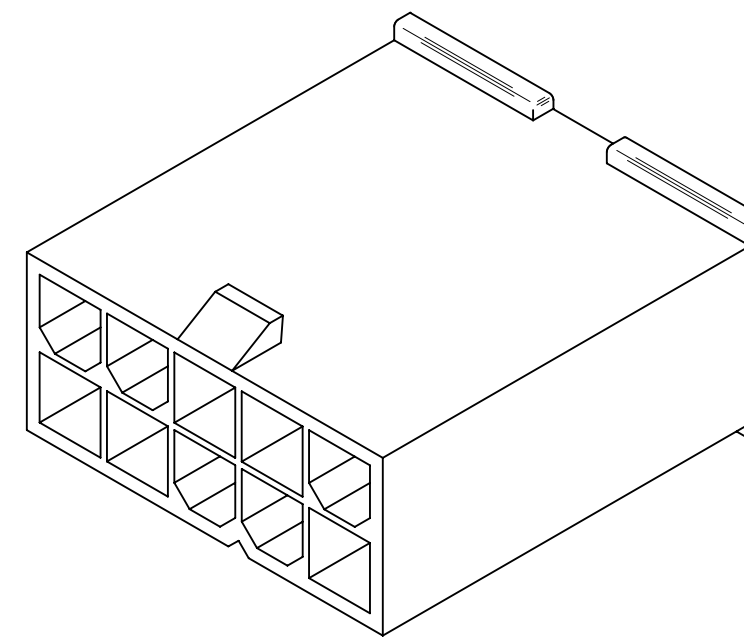
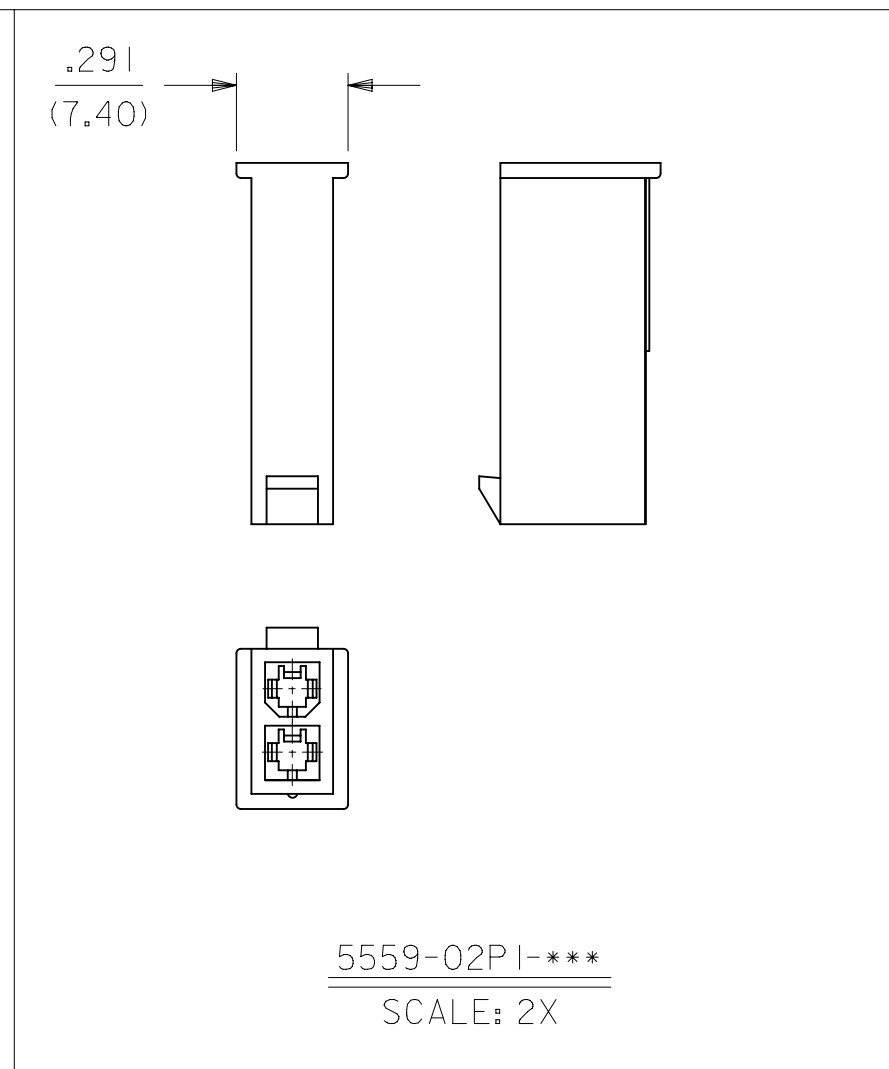
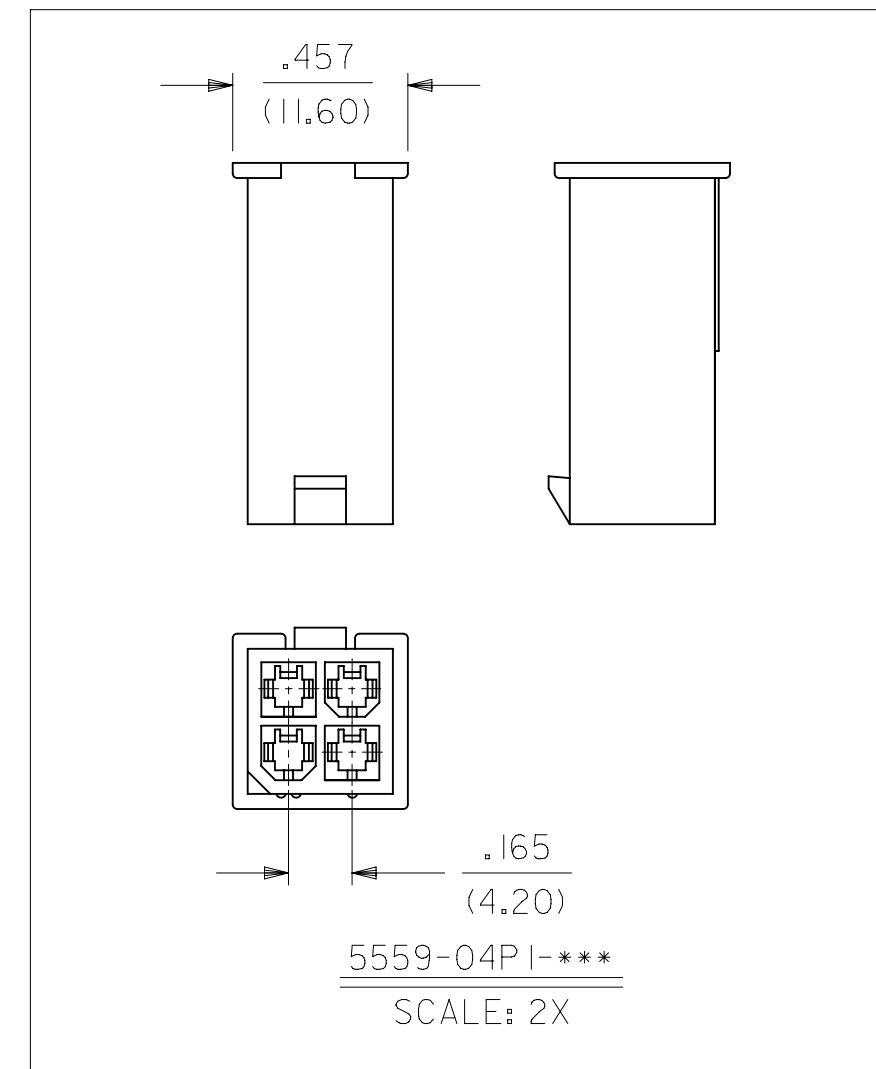
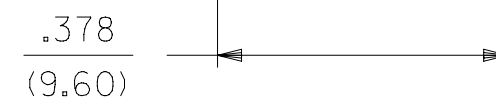
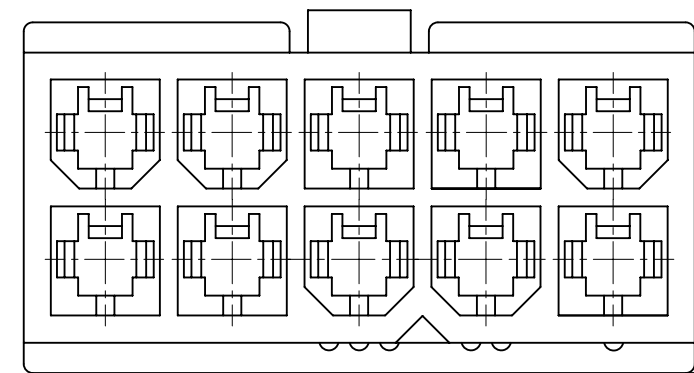
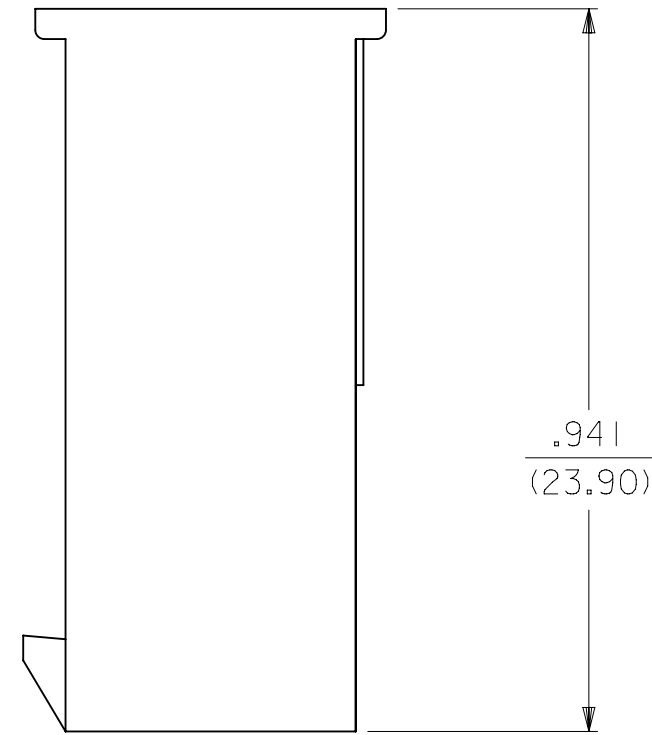
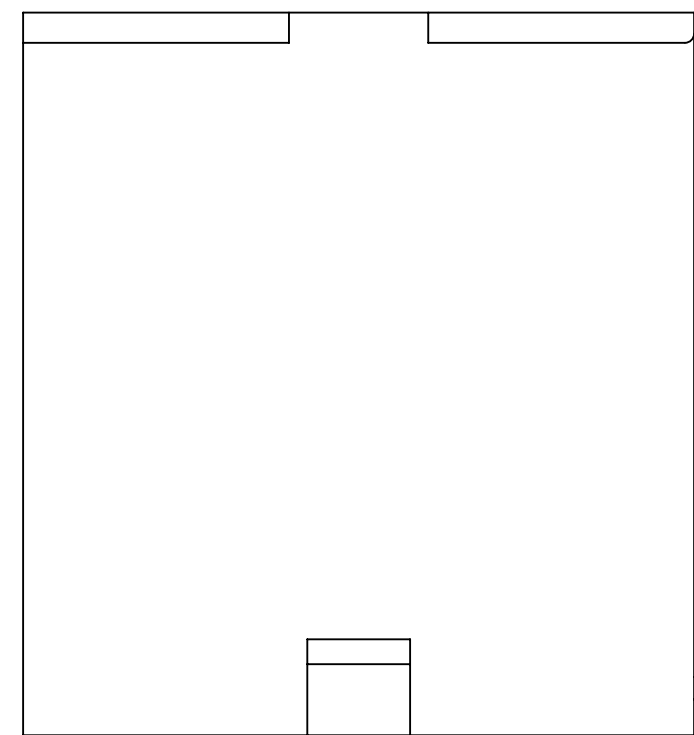


勝特力電材超市-龍山店 886-3-5773766  
 勝特力電材超市-光復店 886-3-5729570  
 勝特力电子(上海) 86-21-34970699  
 勝特力电子(深圳) 86-755-83298787  
<http://www.100y.com.tw>



CKT. SIZE	DIM. A	DIM. B
6	.331 (8.40)	.543 (13.80)
8	.496 (12.60)	.709 (18.00)
10	.661 (16.80)	.874 (22.20)
12	.827 (21.00)	1.039 (26.40)
14	.992 (25.20)	1.205 (30.60)
16	1.157 (29.40)	1.370 (34.80)
18	1.323 (33.60)	1.535 (39.00)
20	1.488 (37.80)	1.701 (43.20)
22	1.654 (42.00)	1.866 (47.40)
24	1.819 (46.20)	2.031 (51.60)



**NOTES:**

1. MATERIAL: BLANK=NYLON 6/6, UL 94V-2, COLOR: NATURAL  
 BL=NYLON 6/6, UL 94V-2, COLOR: BLACK  
 210=NYLON 6/6, UL 94V-0, COLOR: NATURAL  
 400=NYLON 6/6, UL 94V-0, COLOR: BLACK
2. FINISH: N/A.
3. PRODUCT SPECIFICATION: PS-5556-001.
4. PACKAGING SPECIFICATION: PK-5559-002.
5. THIS PART MATES WITH RECEPTACLE #5557, 172708-0\*\*\*, 172708-1\*\*\*.
6. THIS PART IS FOR USE WITH MOLEX MALE TERMINAL #5558, #46012.
7. PART IS NOT DESIGNED FOR CURRENT SHARING.
8. CONNECTORS ARE NOT TO BE MATED OR UNMATED WHILE CIRCUITS ARE LIVE.
9. WIRES ARE TO BE DRESSED IN SUCH A MANNER TO ALLOW THE TERMINALS TO FLOAT FREELY IN THE POCKET.
10. PART CONFORMS TO CLASS "B" REQUIREMENTS OF COSMETIC SPECIFICATION PS-45499-002 WITH THE EXCEPTION OF DISCOLORATION. FLASH AND SINK MEET CLASS "C" REQUIREMENTS.

THIS DRAWING CONTAINS INFORMATION THAT IS PROPRIETARY TO MOLEX ELECTRONIC TECHNOLOGIES, LLC AND SHOULD NOT BE USED WITHOUT WRITTEN PERMISSION										
DIMENSION UNITS		SCALE		CURRENT REV DESC:						
IN/MM		NTS		<div style="text-align: center; font-size: 2em; font-weight: bold;">molex</div> <p>MINI FIT JR SERIES PLUG W/O MTG. EARS</p> <p>PRODUCT CUSTOMER DRAWING</p>						
GENERAL TOLERANCES (UNLESS SPECIFIED)										
	MM		INCH							
4 PLACES	±		±							
3 PLACES	±	0.38	±							
2 PLACES	±		±	EC NO: 768511	2023/11/02					
1 PLACE	±		±	DRWN: JERRYW8	2023/11/15					
0 PLACES	±		±	CHK'D: XQZHANG	2023/11/15					
ANGULAR TOL ± 0.5 °				APPR: XQZHANG	2023/11/15					
DRAFT WHERE APPLICABLE MUST REMAIN WITHIN DIMENSIONS				INITIAL REVISION:		DOCUMENT NUMBER		DOC TYPE	DOC PART	REVISION
				DRWN: RJF	1989/09/22	55590001-SD		PSD	000	A1
				APPR: ROS	1989/09/22					
THIRD ANGLE PROJECTION		DRAWING		SERIES		MATERIAL NUMBER		CUSTOMER		SHEET NUMBER
		C-SIZE		5559		SEE CHART		GENERAL MARKET		1 OF 2

THIS DRAWING REPLACES DRAWING SD-5559-NP1\*

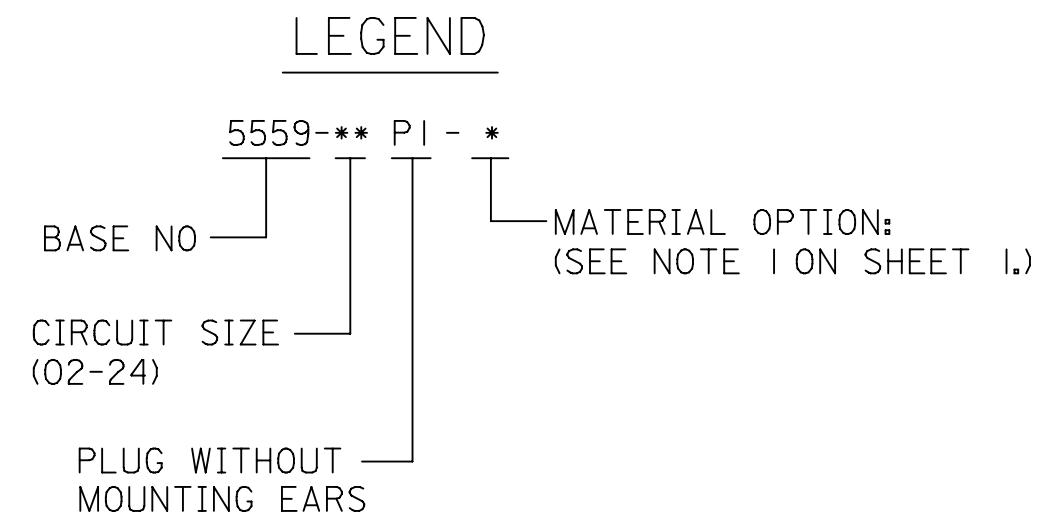
DOCUMENT STATUS	P1	RELEASE DATE	2023/11/15	09:48:26
-----------------	----	--------------	------------	----------

PART NUMBER	ENG. NUMBER	CIRCUIT SIZE	MATERIAL
39-01-3023	5559-02P I	2	94V-2
39-01-3043	5559-04P I	4	94V-2
39-01-3063	5559-06P I	6	94V-2
39-01-3083	5559-08P I	8	94V-2
39-01-3103	5559-10P I	10	94V-2
39-01-3123	5559-12P I	12	94V-2
39-01-3143	5559-14P I	14	94V-2
39-01-3163	5559-16P I	16	94V-2
39-01-3183	5559-18P I	18	94V-2
39-01-3203	5559-20P I	20	94V-2
39-01-3223	5559-22P I	22	94V-2
39-01-3243	5559-24P I	24	94V-2

PART NUMBER	ENG. NUMBER	CIRCUIT SIZE	MATERIAL
39-01-3029	5559-02P I-2 I0	2	94V-0
39-01-3049	5559-04P I-2 I0	4	94V-0
39-01-3069	5559-06P I-2 I0	6	94V-0
39-01-3089	5559-08P I-2 I0	8	94V-0
39-01-3109	5559-10P I-2 I0	10	94V-0
39-01-3129	5559-12P I-2 I0	12	94V-0
39-01-3149	5559-14P I-2 I0	14	94V-0
39-01-3169	5559-16P I-2 I0	16	94V-0
39-01-3189	5559-18P I-2 I0	18	94V-0
39-01-3209	5559-20P I-2 I0	20	94V-0
39-01-3229	5559-22P I-2 I0	22	94V-0
39-01-3249	5559-24P I-2 I0	24	94V-0

PART NUMBER	ENG. NUMBER	CIRCUIT SIZE	MATERIAL
46999-0275	5559-02P I-400	2	94V-0 BLACK
46999-0276	5559-04P I-400	4	94V-0 BLACK
46999-0277	5559-06P I-400	6	94V-0 BLACK
46999-0278	5559-08P I-400	8	94V-0 BLACK
46999-0279	5559-10P I-400	10	94V-0 BLACK
46999-0280	5559-12P I-400	12	94V-0 BLACK
46999-0281	5559-14P I-400	14	94V-0 BLACK
46999-0282	5559-16P I-400	16	94V-0 BLACK
46999-0283	5559-18P I-400	18	94V-0 BLACK
46999-0284	5559-20P I-400	20	94V-0 BLACK
46999-0285	5559-22P I-400	22	94V-0 BLACK
46999-0286	5559-24P I-400	24	94V-0 BLACK

PART NUMBER	ENG. NUMBER	CIRCUIT SIZE	MATERIAL
39-01-3026	5559-02P1-BL	2	94V-2 BLACK
39-01-3046	5559-04P1-BL	4	94V-2 BLACK
39-01-3066	5559-06P1-BL	6	94V-2 BLACK
39-01-3086	5559-08P1-BL	8	94V-2 BLACK
39-01-3106	5559-10P1-BL	10	94V-2 BLACK
39-01-3126	5559-12P1-BL	12	94V-2 BLACK
39-01-3146	5559-14P1-BL	14	94V-2 BLACK
39-01-3166	5559-16P1-BL	16	94V-2 BLACK



THIS DRAWING CONTAINS INFORMATION THAT IS PROPRIETARY TO MOLEX ELECTRONIC TECHNOLOGIES, LLC AND SHOULD NOT BE USED WITHOUT WRITTEN PERMISSION									
DIMENSION UNITS <b>IN/MM</b>		SCALE <b>NTS</b>		CURRENT REV DESC:				<b>molex</b>	
GENERAL TOLERANCES (UNLESS SPECIFIED)				EC NO: 768511					
		MM	INCH	DRWN: JERRYW8		2023/11/02		MINI FIT JR SERIES PLUG W/O MTG. EARS	
4 PLACES ±				CHK'D: XQZHANG		2023/11/15			
3 PLACES ±		0.38		APPR: XQZHANG		2023/11/15		PRODUCT CUSTOMER DRAWING	
2 PLACES ±				INITIAL REVISION:				DOCUMENT NUMBER	
1 PLACE ±				DRWN: RJF		1989/09/22		55590001-SD	
0 PLACES ±				APPR: ROS		1989/09/22		DOC TYPE	DOC PART
ANGULAR TOL ± 0.5 °				THIRD ANGLE PROJECTION		DRAWING		SERIES	MATERIAL NUMBER
DRAFT WHERE APPLICABLE MUST REMAIN WITHIN DIMENSIONS						<b>C-SIZE</b>		<b>5559</b>	CUSTOMER
								SEE CHART	SHEET NUMBER
								GENERAL MARKET	2 OF 2



产品编号 : [39013123](#)

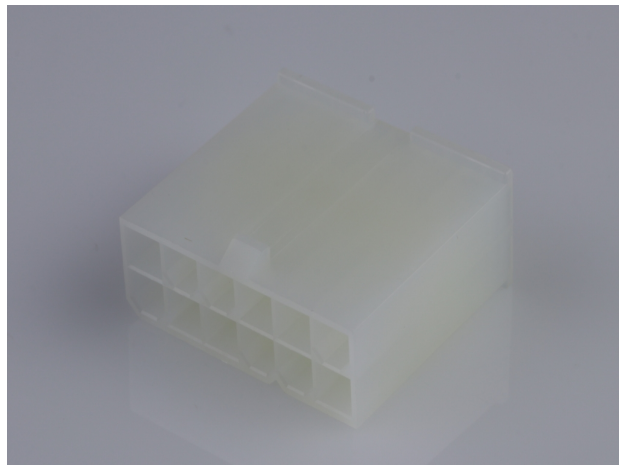
Product Description : Mini-Fit Jr. Plug Housing, Dual Row, 12 Circuits, UL 94V-2, without Panel Mounting Ears, Natural

系列号 : 5559

状态 : Active

Product Category : Connector Housings

工程编号 : 5559-12P1



## 文件和资源

### 图纸

[图纸 039013123\\_sd.pdf](#)

### 3D 模型和设计文件

[3D模型 039013123\\_stp.zip](#)

### 规格

[应用规格 AS-5557-001-001.pdf](#)

[应用规格 55560001-AS-000.pdf](#)

[包装规格 PK-5559-002-001.pdf](#)

[产品规格 PS-45750-001-001.pdf](#)

[产品规格 PS-5556-001-001.pdf](#)

[测试摘要 TS-5556-002-001.pdf](#)

[测试摘要 55560010-TS-000.pdf](#)

## 产物环境合规

### 合规

GADSL/IMDS	Not Relevant
China RoHS	
EU ELV	Not Relevant
Low-Halogen Status	Low-Halogen per IEC 61249-2-21
REACH SVHC	Not Contained per D(2023)3788-DC (14 Jun 2023)
EU RoHS	Compliant per EU 2015/863

## 多部分产品合规性声明

- Eu RoHS
- REACH SVHC
- Low-Halogen

## 多部分行业合规性文件

- IPC 1752A Class C
- IPC 1752A Class D
- Molex Product Compliance Declaration
- IEC-62474
- chemSHERPA (xml)

## 欧盟 RoHS 合格证书

---

## 产品详情

### 常规

状态	活动
类别	Connector Housings
系列	5559
说明	Mini-Fit Jr. Plug Housing, Dual Row, 12 Circuits, UL 94V-2, without Panel Mounting Ears, Natural
应用	Power, Wire-to-Board, Wire-to-Wire
个评论	Current = 13A max. per circuit when header is mated to a receptacle loaded with 45750 series terminals crimped to 16 AWG wire. See Molex product specification PS-45750-001 for additional current derating information.
产品系列	Mini-Fit Family Power Connectors
产品名称	Mini-Fit Jr.
UPC	800754204071

### 机构

CSA	LR19980
UL	E29179

### 物理

断开	否
----	---

电路数 (最多)	12
颜色-树脂	Natural
阻燃性	94V-2
性别	Plug
符合灼热丝规范	否
插接极性	无
锁定插接部位	是
材料 - 树脂	Nylon
净重	3.279/g
行数	2
包装形式	Bag
面板安装式	否
间距 - 插配接口	4.20mm
间距 - 终端界面	4.20mm
有极性的插配件	是
可堆叠的	否
运行温度范围	-40° to +105° C

## 进程

无铅	不适用
----	-----

---

## 可配插/可连接使用的产品

### 可配插部件

描述	产品编号
Mini-Fit Jr. Receptacle Housings	<u>5557</u>

### 可连接使用部件

描述	产品编号
Pre-Crimped Lead Mini-Fit Male-to-Mini-Fit Male, Tin (Sn) Plating, 150.00mm Length, 18 AWG, Red	<u><a href="/content/molex/molex-dot-com/cn/zh/products/product-page.html/797580005.html">/content/molex/molex-dot-com/cn/zh/products/product-page.html/797580005.html</a></u>
Pre-Crimped Lead Mini-Fit Male-to-Mini-Fit Male, Tin (Sn) Plating, 300.00mm Length, 18 AWG, Red	<u><a href="/content/molex/molex-dot-com/cn/zh/products/product-page.html/797580013.html">/content/molex/molex-dot-com/cn/zh/products/product-page.html/797580013.html</a></u>

Mini-Fit Male Crimp Terminals	<u>5558</u>
Mini-Fit Plus Male Crimp Terminals	<u>46012</u>
Mini-Fit Jr. Crimp Grounding Terminals	<u>30490</u>
Mini-Fit Jr. Hermaphroditic Backshells	<u>204723</u>

---

This document was generated on Dec 11, 2023