



产品编号 : 39012041

系列号 : 5559

Product Category : Connector Housings

Product Description : Mini-Fit Jr. Plug Housing, Dual Row, 4 Circuits, UL 94V-2, with Panel Mounting Ears, Natural

状态 : Active

工程编号 : 5559-04P

文件和资源

图纸

图纸 039012041_sd.pdf

3D 模型和设计文件

3D模型 039012041_stp.zip

规格

应用规格 55560001-AS-000.pdf

应用规格 AS-5557-001-001.pdf

包装规格 PK-5559-001-001.pdf


产品规格 PS-45750-001-001.pdf

产品规格 PS-5556-001-001.pdf

测试摘要 55560010-TS-000.pdf

产物环境合规

合规

GADSL/IMDS	Not Relevant
China RoHS	
EU ELV	Not Relevant
Low-Halogen Status	Low-Halogen per IEC 61249-2-21
REACH SVHC	Not Contained per D(2023)8585-DC (23 Jan 2024)
EU RoHS	Compliant per EU 2015/863

多部分产品合规性声明

- Eu RoHS
- REACH SVHC
- Low-Halogen
- IPC 1752A Class C

- IPC 1752A Class D
- Molex Product Compliance Declaration
- IEC-62474
- chemSHERPA (xml)

欧盟 RoHS 合格证书

产品详情

常规

状态	活动
类别	Connector Housings
系列	5559
说明	Mini-Fit Jr. Plug Housing, Dual Row, 4 Circuits, UL 94V-2, with Panel Mounting Ears, Natural
应用	Power, Wire-to-Board, Wire-to-Wire
个评论	Current = 13A max. per circuit when header is mated to a receptacle loaded with 45750 series terminals crimped to 16 AWG wire. See Molex product specification PS-45750-001 for additional current derating information.
产品系列	Mini-Fit Family Power Connectors
产品名称	Mini-Fit Jr.
UPC	800753584303

机构

CSA	LR19980
UL	E29179

物理

断开	否
电路数 (最多)	4
颜色-树脂	Natural
阻燃性	94V-2
性别	Plug
符合灼热丝规范	否

材料 - 树脂	Nylon
净重	1.730/g
行数	2
包装形式	Bag
面板安装式	是
间距 - 插配接口	4.20mm
间距 - 终端界面	4.20mm
有极性的插配件	是
可堆叠的	否
运行温度范围	-40° to +105° C

进程

无铅	不适用
----	-----

可配插/可连接使用的产品

可配插部件

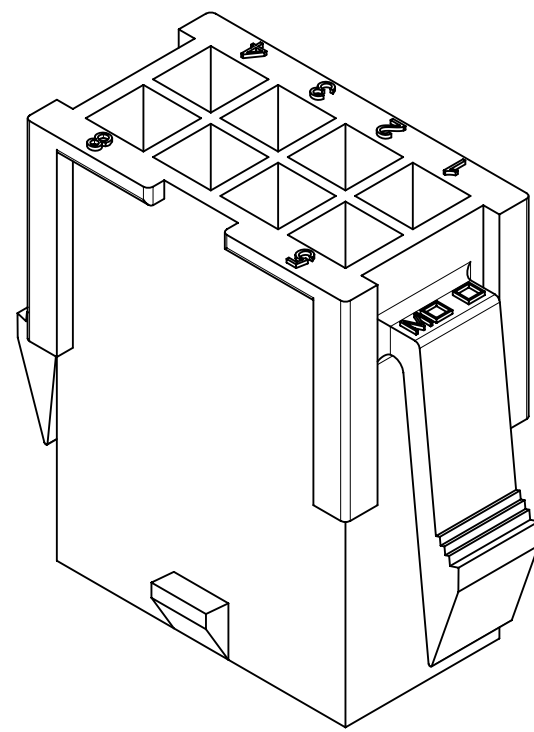
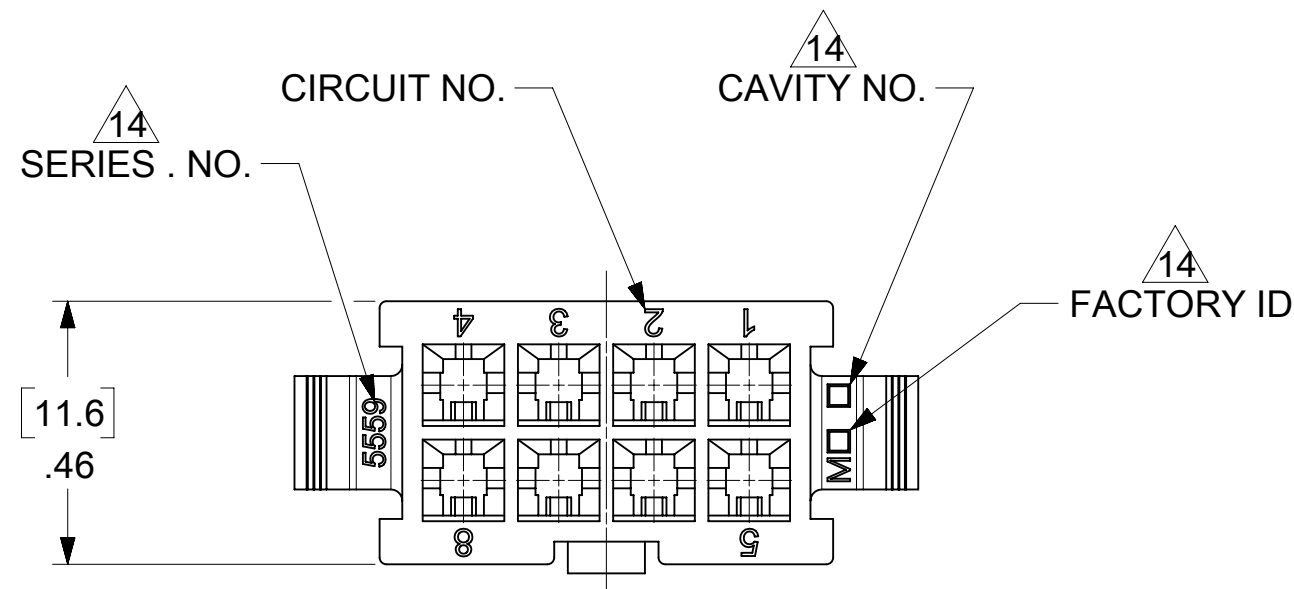
描述	产品编号
Mini-Fit Jr. Receptacle Housings	<u>5557</u>
Mini-Fit TPA2-to-Mini-Fit TPA2 Off-the-Shelf (OTS) Cable Assemblies	<u>45135</u>
Mini-Fit Jr.-to-Mini-Fit Jr. Off-the-Shelf (OTS) Overmolded Cable Assemblies	<u>245135</u>

可连接使用部件

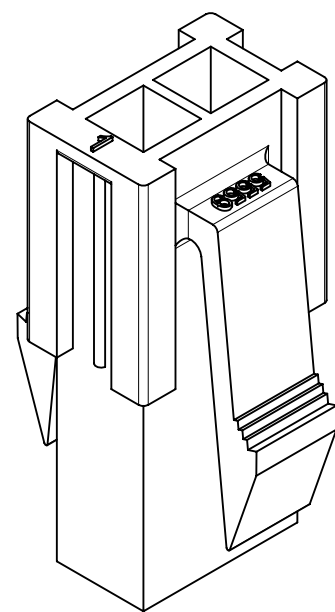
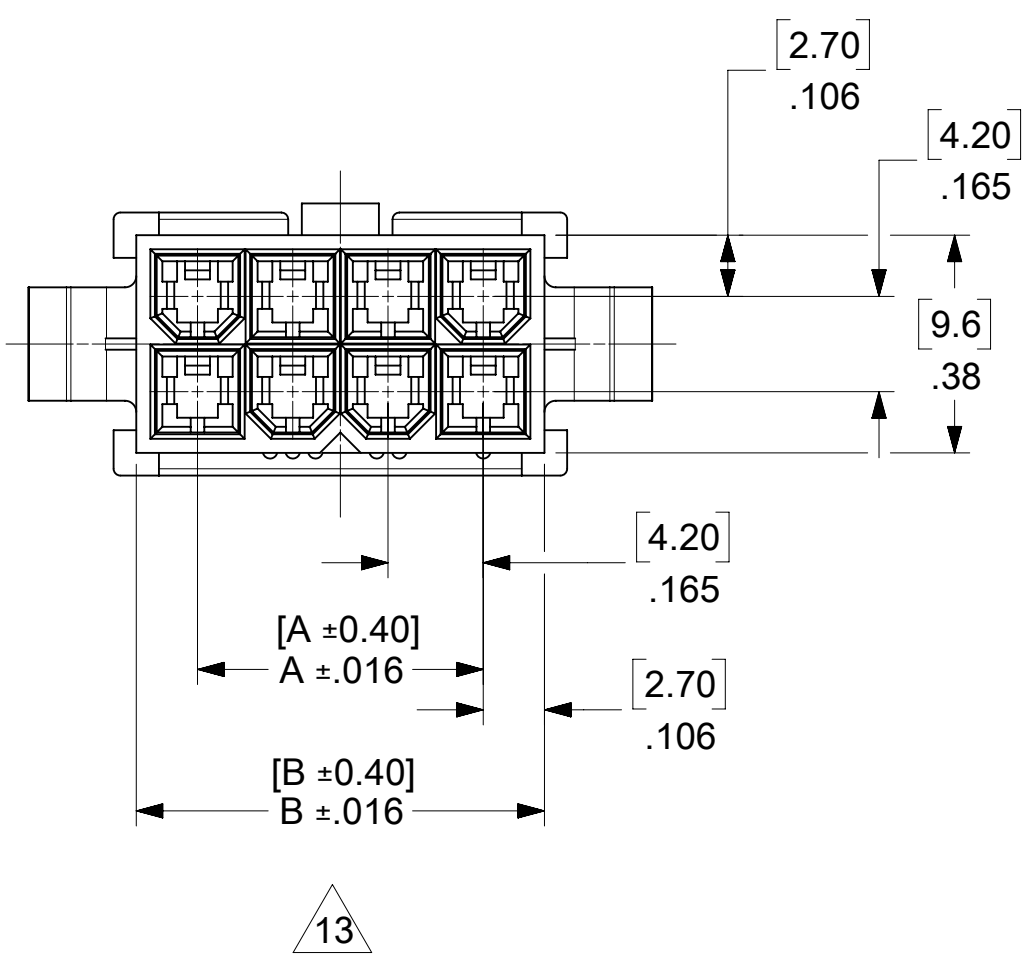
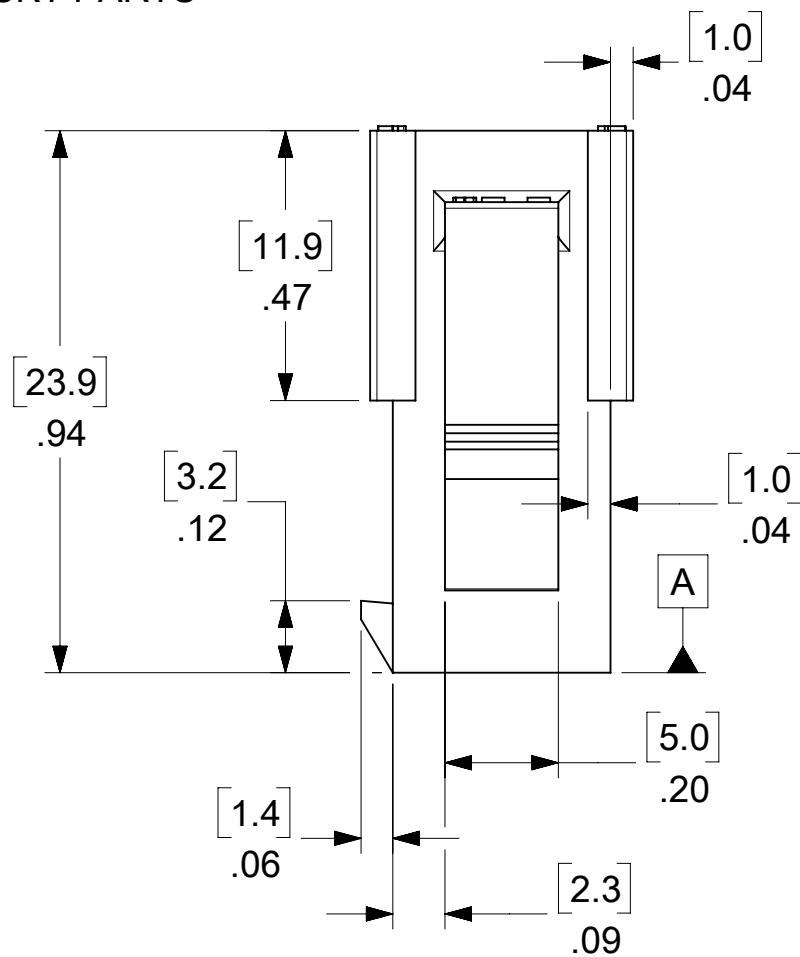
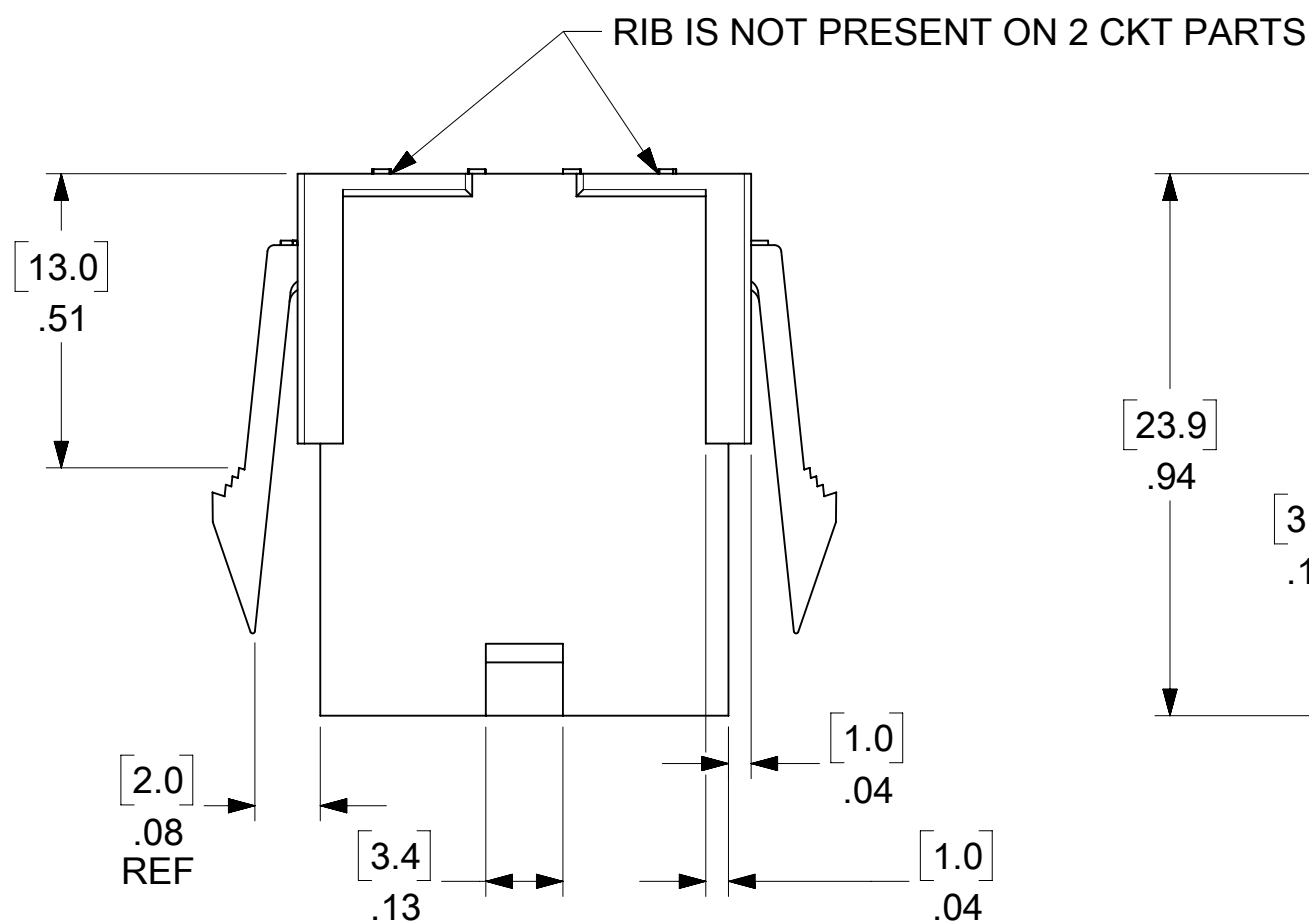
描述	产品编号
Pre-Crimped Lead Mini-Fit Male-to-Mini-Fit Male, Tin (Sn) Plating, 150.00mm Length, 18 AWG, Red	<u>/content/molex/molex-dot-com/cn/zh/products/product-page.html/797580005.html</u>
Pre-Crimped Lead Mini-Fit Male-to-Mini-Fit Male, Tin (Sn) Plating, 300.00mm Length, 18 AWG, Red	<u>/content/molex/molex-dot-com/cn/zh/products/product-page.html/797580013.html</u>
Mini-Fit Male Crimp Terminals	<u>5558</u>
Mini-Fit Plus Male Crimp Terminals	<u>46012</u>

Mini-Fit Jr. Crimp Grounding Terminals	<u>30490</u>
---	--------------

This document was generated on Jun 30, 2024



8 CKT SHOWN



2 CKT SHOWN

NOTES:

1) MATERIAL:

- "BLANK" = NYLON 6/6, 94V-2, COLOR: NATURAL.
- "BL" = NYLON 6/6, 94V-2, COLOR: BLACK.
- "BU" = NYLON 6/6, 94V-2, COLOR: BLUE.
- "RE" = NYLON 6/6, 94V-2, COLOR: RED.
- "210" = NYLON 6/6, 94V-0, COLOR: NATURAL.
- "400" = NYLON 6/6, 94V-0, COLOR: BLACK.

2) FINISH: NOT APPLICABLE

3) PRODUCT SPECIFICATION: PS-5556-001

4) PACKAGING: BULK PACKED PER PK-5559-001

5) PART MATES WITH MOLEX RECEPTACLE #5557,172708-0***, 172708-1***.

6) PART TO BE USED WITH MOLEX MALE TERMINAL #5558,#46012.

7) PART IS NOT DESIGNED FOR CURRENT SHARING.

8) CONNECTORS ARE NOT TO BE MATED OR UNMATED WHILE CIRCUITS ARE LIVE.

9) WIRES ARE TO BE DRESSED IN SUCH A MANNER TO ALLOW THE TERMINALS TO FLOAT FREELY IN THE POCKET.

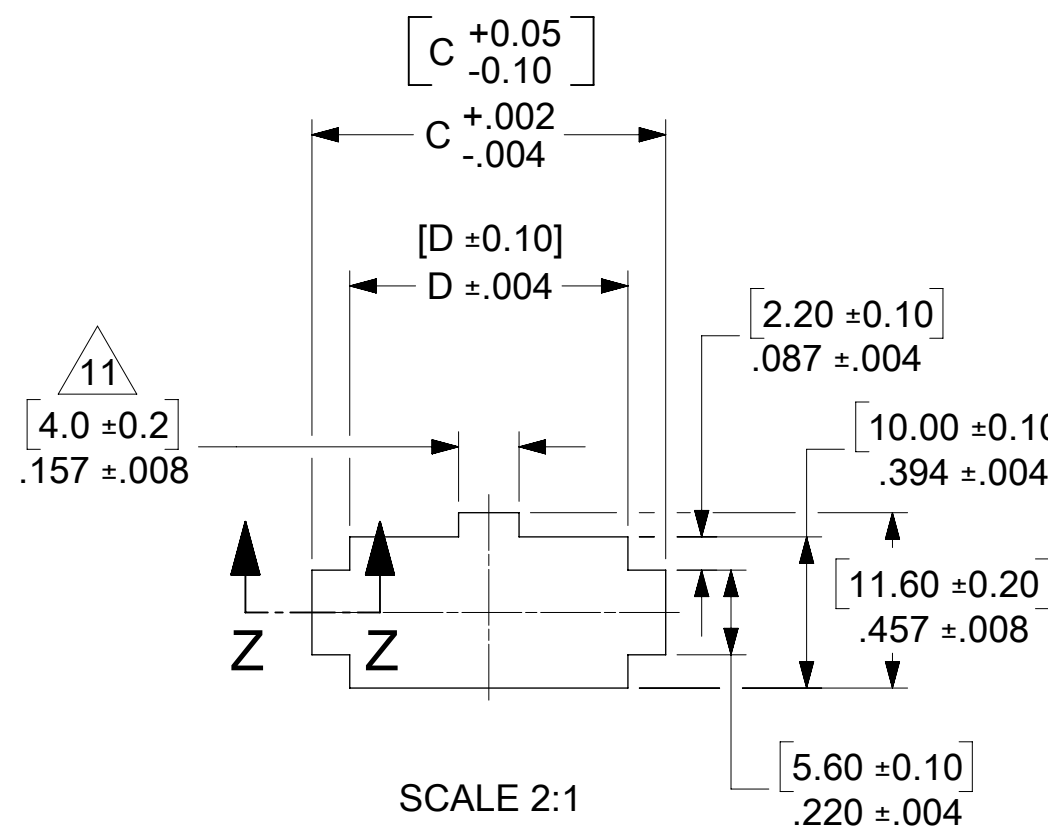
10) PART CONFORMS TO CLASS "B" REQUIREMENTS OF COSMETIC SPECIFICATION PS-45499-002 WITH THE EXCEPTION OF DISCOLORATION, FLASH AND SINK MEET CLASS "C" REQUIREMENTS.

11 ON 2 CIRCUITS PARTS THIS DIMENSION IS ALLOWABLE UP TO "D" DIMENSION.

12 PANEL HOLE TO BE PUNCHED OUT IN THE SAME DIRECTION AS INSERTION INTO THE PANEL.

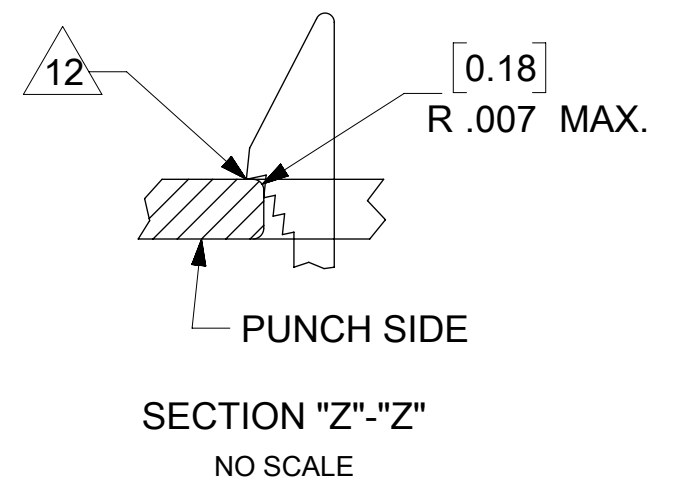
13 TO BE MEASURED AT SURFACE A

14 TEXT ON PART IS FOR REFERENCE ONLY. TEXT AND TEXT LOCATION MAY VARY DEPENDING ON PART NUMBER AND/OR TOOL.



SCALE 2:1

12 RECOMMENDED PANEL DIMENSIONS (THICKNESS : 0.8-2.0/.032-.079)



SECTION "Z"- "Z" NO SCALE

2.051/52.1	2.244/57.0	2.031/51.6	1.819/46.2	24
1.886/47.9	2.079/52.8	1.866/47.4	1.654/42.0	22
1.720/43.7	1.913/48.6	1.701/43.2	1.488/37.8	20
1.555/39.5	1.748/44.4	1.535/39.0	1.323/33.6	18
1.390/35.3	1.583/40.2	1.370/34.8	1.158/29.4	16
1.224/31.1	1.417/36.0	1.205/30.6	.992/25.2	14
1.055/26.8	31.8/1.252	1.039/26.4	.827/21.0	12
.890/22.6	1.087/27.6	.874/22.2	.661/16.8	10
.724/18.4	.921/23.4	.709/18.0	.496/12.6	8
.559/14.2	.756/19.2	.543/13.8	.331/8.4	6
.394/10.0	.591/15.0	.378/9.6	.165/4.2	4
.228/5.8	.425/10.8	.213/5.4	-----	2
D	C	B	A	CIRCUIT

THIS DRAWING CONTAINS INFORMATION THAT IS PROPRIETARY TO MOLEX ELECTRONIC TECHNOLOGIES, LLC AND SHOULD NOT BE USED WITHOUT WRITTEN PERMISSION

DIMENSION UNITS		SCALE		CURRENT REV DESC: REAMSTERED WITH MODEL							
IN/MM		NTS									
GENERAL TOLERANCES (UNLESS SPECIFIED)						EC NO: 782462		2024/03/07		2024/04/18	
						DRWN: SASWAP					
4 PLACES ±								2024/04/18		2024/04/18	
3 PLACES ±								2024/04/18		2024/04/18	
2 PLACES ±						0.3 ± 0.016		2024/04/18		2024/04/18	
1 PLACE ±						0.4 ±		2024/04/18		2024/04/18	
0 PLACES ±								2024/04/18		2024/04/18	
ANGULAR TOL ±						3.0 °		2024/04/18		2024/04/18	
DRAFT WHERE APPLICABLE MUST REMAIN WITHIN DIMENSIONS						THIRD ANGLE PROJECTION		DRAWING		SERIES	
						C-SIZE		5559		MATERIAL NUMBER	
										CUSTOMER	
										SHEET NUMBER	
										1 OF 2	

mini. fit jr dual row 2-24CKT PLUG HOUSING WITH EARS

PRODUCT CUSTOMER DRAWING

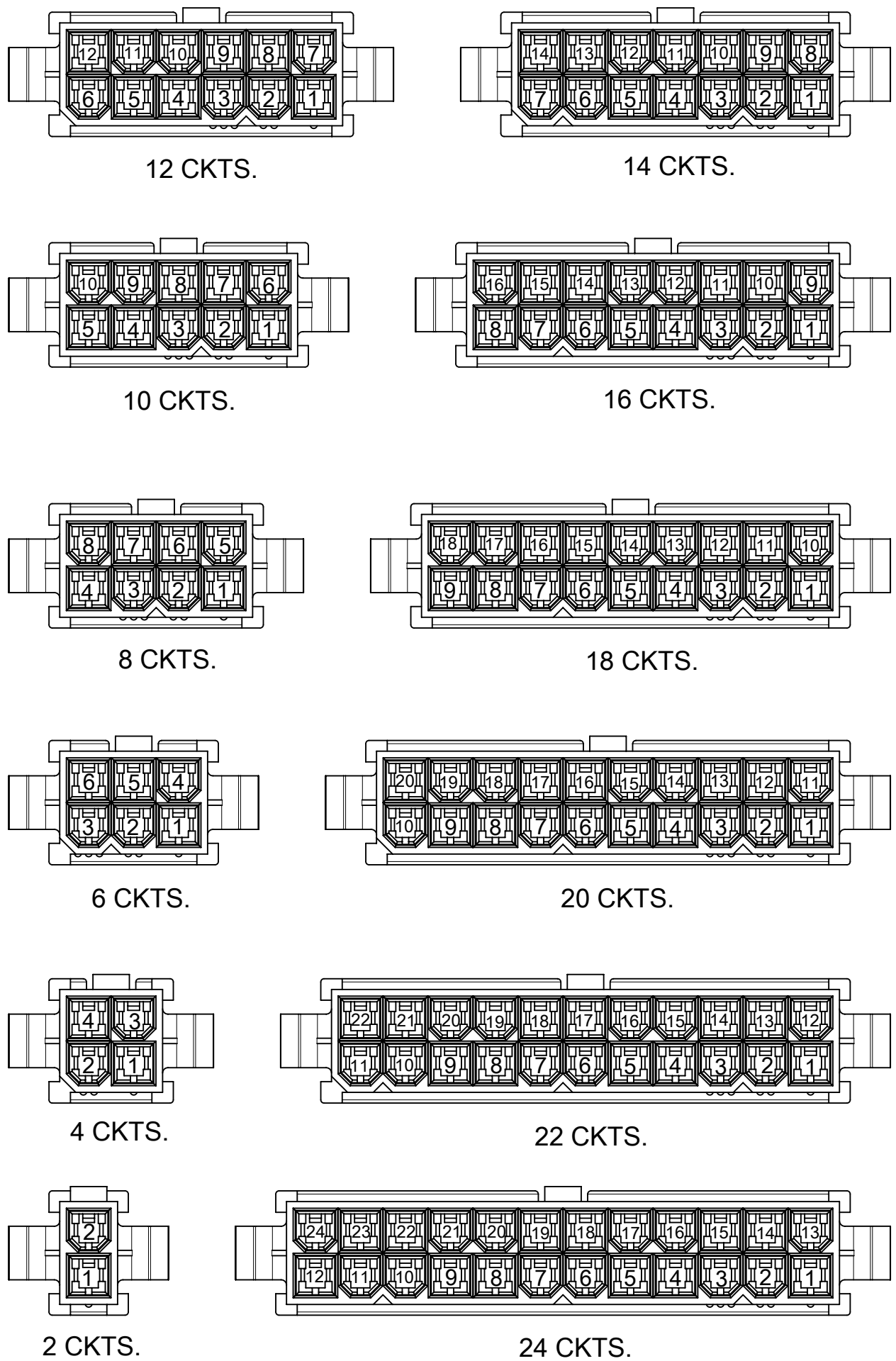
DOCUMENT NUMBER: 55590020-SD, DOC TYPE: PSD, DOC PART: 000, REVISION: A4

55590020-SD, PSD, 000, A4

SEE TABLE, GENERAL MARKET, 1 OF 2

THIS DRAWING REPLACES SD-5559-NP

DOCUMENT STATUS	P1	RELEASE DATE	2024/04/18	04:37:57
-----------------	----	--------------	------------	----------



CIRCUIT SIZE LAYOUT (SCALE 2:1)

LEGEND

BASE NO. → 5559- ** P - *
 MATERIAL OPTION: (SEE NOTE 1)
 CIRCUIT SIZE (02-24)
 HOUSING TYPE: PUG WITH MOUNTING EARS

V-2 BLACK			V-0 BLACK								
46999-0157	5559-24P-BL	24	46999-0304	5559-24P-400	24						
		22	46999-0303	5559-22P-400	22						
39-02-8205	5559-20P-BL	20	46999-0302	5559-20P-400	20						
		18	46999-0301	5559-18P-400	18						
		16	46999-0300	5559-16P-400	16						
		14	46999-0299	5559-14P-400	14						
		12	46999-0298	5559-12P-400	12						
		10	46999-0297	5559-10P-400	10						
		8	46999-0296	5559-08P-400	8						
39-02-8065	5559-06P-BL	6	46999-0295	5559-06P-400	6						
		4	46999-0294	5559-04P-400	4						
		2	46999-0293	5559-02P-400	2						
EDP NO.	ENG. NO.	CIRCUIT	EDP NO.	ENG. NO.	CIRCUIT						
V-2 BLUE			V-2 RED			V-0 NATURAL			V-2 NATURAL		
		24			24	39-01-2246	5559-24P-210	24	39-01-2241	5559-24P	24
		22			22	39-01-2226	5559-22P-210	22	39-01-2221	5559-22P	22
		20			20	39-01-2206	5559-20P-210	20	39-01-2201	5559-20P	20
		18			18	39-01-2186	5559-18P-210	18	39-01-2181	5559-18P	18
		16			16	39-01-2166	5559-16P-210	16	39-01-2161	5559-16P	16
		14			14	39-01-2146	5559-14P-210	14	39-01-2141	5559-14P	14
		12			12	39-01-2126	5559-12P-210	12	39-01-2121	5559-12P	12
		10			10	39-01-2106	5559-10P-210	10	39-01-2101	5559-10P	10
		8			8	39-01-2086	5559-08P-210	8	39-01-2081	5559-08P	8
		6			6	39-01-2066	5559-06P-210	6	39-01-2061	5559-06P	6
		4			4	39-01-2046	5559-04P-210	4	39-01-2041	5559-04P	4
		2			2	39-01-2026	5559-02P-210	2	39-01-2021	5559-02P	2
EDP NO.	ENG. NO.	CIRCUIT	EDP NO.	ENG. NO.	CIRCUIT	EDP NO.	ENG. NO.	CIRCUIT	EDP NO.	ENG. NO.	CIRCUIT

THIS DRAWING CONTAINS INFORMATION THAT IS PROPRIETARY TO MOLEX ELECTRONIC TECHNOLOGIES, LLC AND SHOULD NOT BE USED WITHOUT WRITTEN PERMISSION

DIMENSION UNITS		SCALE		CURRENT REV DESC: REAMSTERED WITH MODEL									
IN/MM		NTS											
GENERAL TOLERANCES (UNLESS SPECIFIED)						EC NO: 782462		mini. fit jr dual row 2-24CKT PLUG HOUSING WITH EARS					
						DRWN: SASWAP 2024/03/07							
						CHK'D: XQZHANG 2024/04/18		PRODUCT CUSTOMER DRAWING					
						APPR: XQZHANG 2024/04/18							
						INITIAL REVISION:		DOCUMENT NUMBER: 55590020-SD DOC TYPE: PSD DOC PART: 000 REVISION: A4					
						DRWN: H.HIRAMOTO 1998/10/14							
						APPR: E.ENOMOTO 1998/10/24							
ANGULAR TOL ± 3.0 °						THIRD ANGLE PROJECTION		DRAWING SERIES		MATERIAL NUMBER		CUSTOMER	
DRAFT WHERE APPLICABLE MUST REMAIN WITHIN DIMENSIONS								C-SIZE 5559		SEE TABLE		GENERAL MARKET	
												SHEET NUMBER	
												2 OF 2	

THIS DRAWING REPLACES SD-5559-NP

DOCUMENT STATUS	P1	RELEASE DATE	2024/04/18	04:37:57
-----------------	----	--------------	------------	----------