



产品编号 : [39012045](#)

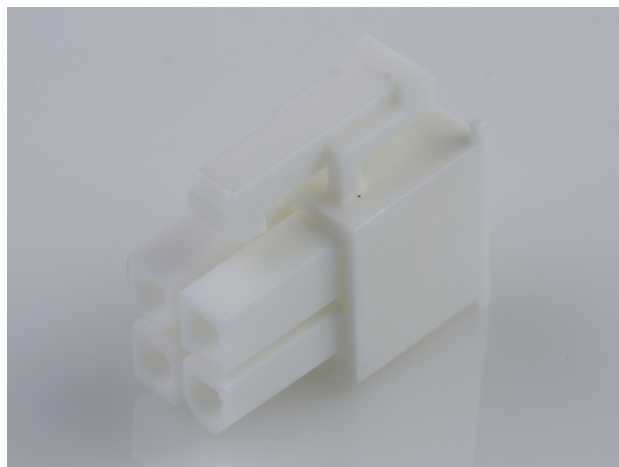
Product Description : Mini-Fit Jr.  
Receptacle Housing, Dual Row, 4 Circuits,  
UL 94V-0, Natural

系列号 : 5557

状态 : Active

Product Category : Connector Housings

工程编号 : 5557-04R-210



## 文件和资源

### 图纸

[图纸 039012045\\_sd.pdf](#)

[包装设计图 PK-5557-002-000.pdf](#)

### 3D 模型和设计文件

[3D模型 039012045\\_stp.zip](#)

### 规格

[应用规格 55560001-AS-000.pdf](#)

[应用规格 AS-5557-001-001.pdf](#)

[产品规格 PS-45750-001-001.pdf](#)

[产品规格 55560002-PS-CH-000.pdf](#)

[产品规格 55560002-PS-ES-000.pdf](#)

[产品规格 55560002-PS-SK-000.pdf](#)

[产品规格 PS-5556-001-001.pdf](#)


[产品规格 PS-5556-002-001.pdf](#)

[测试摘要 55560010-TS-000.pdf](#)

[测试摘要 TS-5556-002-001.pdf](#)

## 产物环境合规

### 合规

GADSL/IMDS	Not Relevant
China RoHS	
EU ELV	Compliant per 2000/53/EC
Low-Halogen Status	Low-Halogen per IEC 61249-2-21

REACH SVHC	Not Contained per D(2023)8585-DC (23 Jan 2024)
EU RoHS	Compliant per EU 2015/863

多部分产品合规性声明

- Eu RoHS
- REACH SVHC
- Low-Halogen

多部分行业合规性文件

- IPC 1752A Class C
- IPC 1752A Class D
- Molex Product Compliance Declaration
- IEC-62474
- chemSHERPA (xml)

欧盟 RoHS 合格证书

**产品详情**

**常规**

状态	活动
类别	Connector Housings
系列	5557
说明	Mini-Fit Jr. Receptacle Housing, Dual Row, 4 Circuits, UL 94V-0, Natural
应用	Power, Wire-to-Board, Wire-to- Wire
个评论	Current = 13A max. per circuit when header is mated to a receptacle loaded with 45750 series terminals crimped to 16 AWG wire. See Molex product specification PS-45750-001 for additional current derating information.
产品系列	Mini-Fit Family Power Connectors
产品名称	Mini-Fit Jr.
UPC	800753628014

**机构**

CSA	LR19980
UL	E29179

## 物理

断开	否
电路数 (最多)	4
颜色-树脂	Natural
阻燃性	94V-0
性别	Receptacle
符合灼热丝规范	否
材料 - 树脂	Nylon
净重	1.034/g
行数	2
包装形式	Bag
面板安装式	否
间距 - 插配接口	4.20mm
间距 - 终端界面	4.20mm
有极性的插配件	是
可堆叠的	否
运行温度范围	-40° to +105° C

## 进程

无铅	不适用
----	-----

---

## 可配插/可连接使用的产品

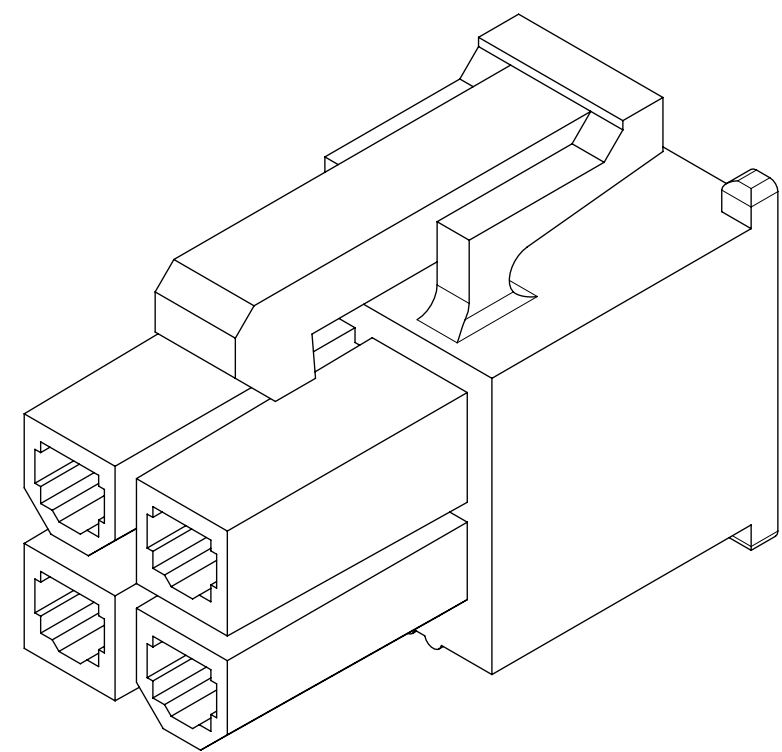
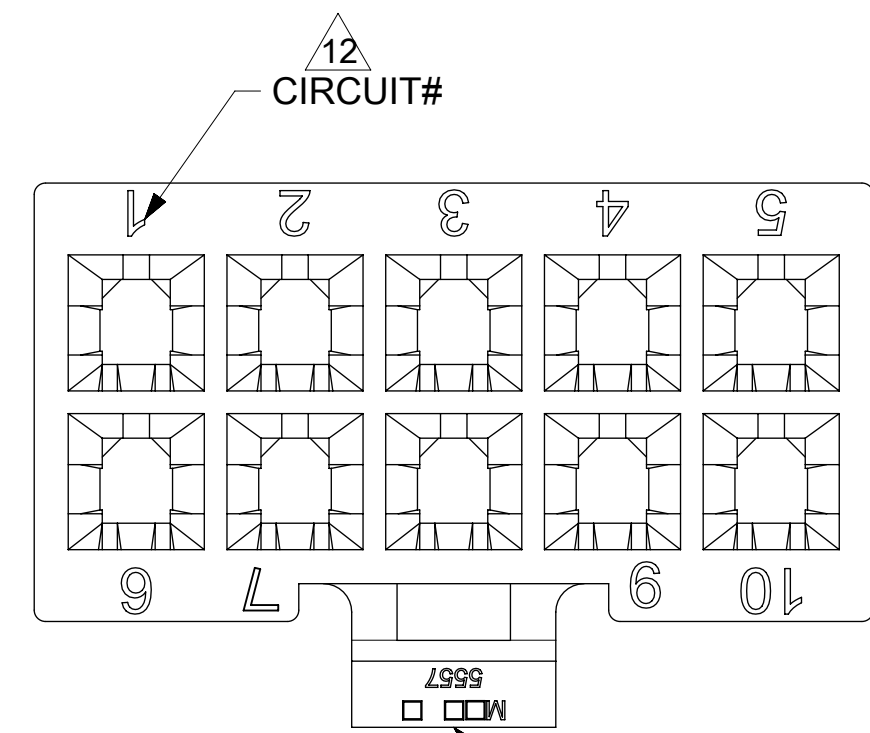
### 可配插部件

描述	产品编号
Mini-Fit BMI Right-Angle Dual Row Headers	<u>42404</u>
Mini-Fit BMI Vertical Dual Row Headers	<u>42440</u>
Mini-Fit BMI Right-Angle Dual Row Headers	<u>43810</u>
Mini-Fit BMI Vertical Dual Row Headers	<u>44068</u>
Mini-Fit Jr. Dual Row Test Plugs	<u>44281</u>
Mini-Fit Jr. Plug Housings	<u>5559</u>

Mini-Fit Jr. Vertical Headers	<u>5566</u>
Mini-Fit Jr. Right-Angle Headers	<u>5569</u>
Mini-Fit Jr. Dual Row Headers	<u>87427</u>

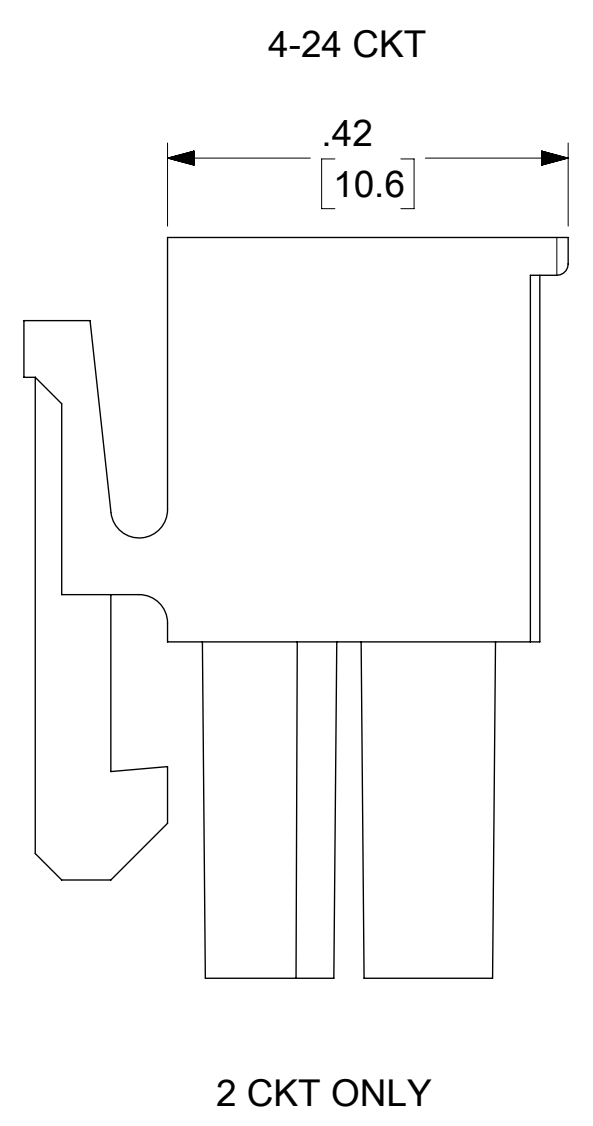
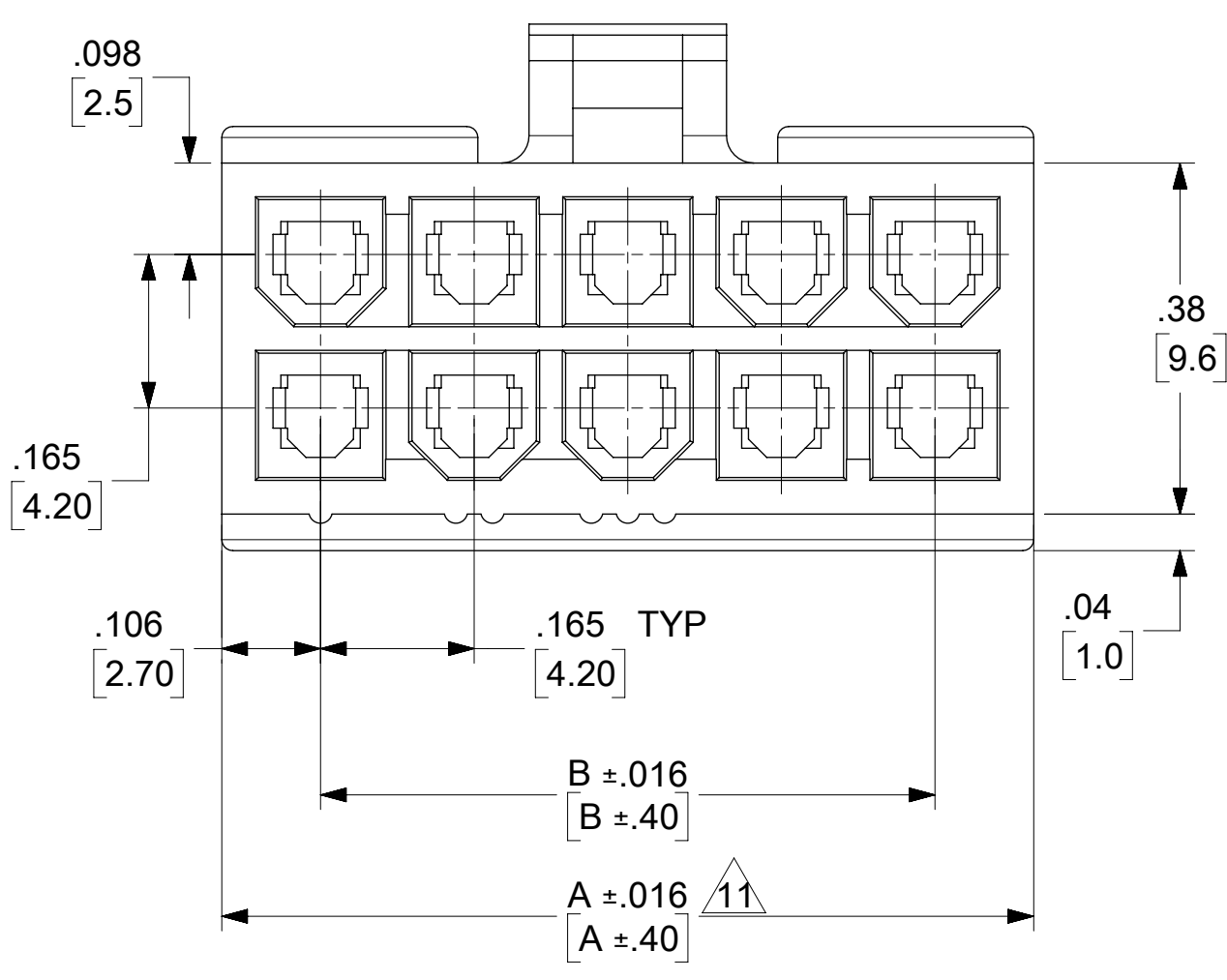
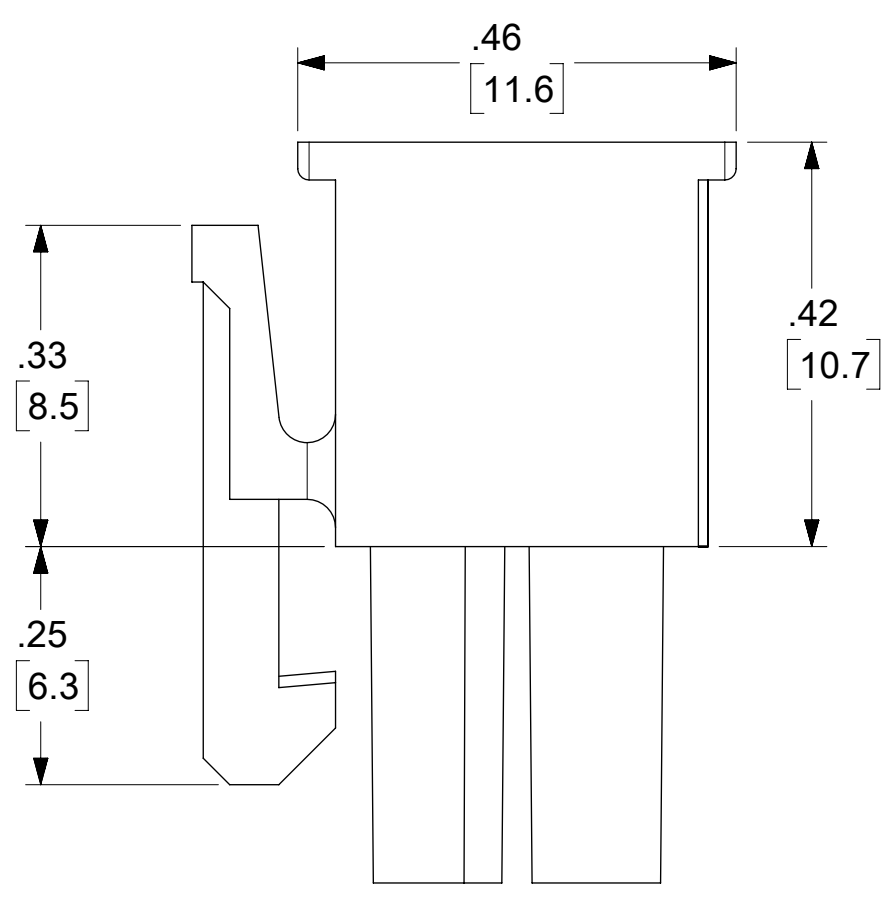
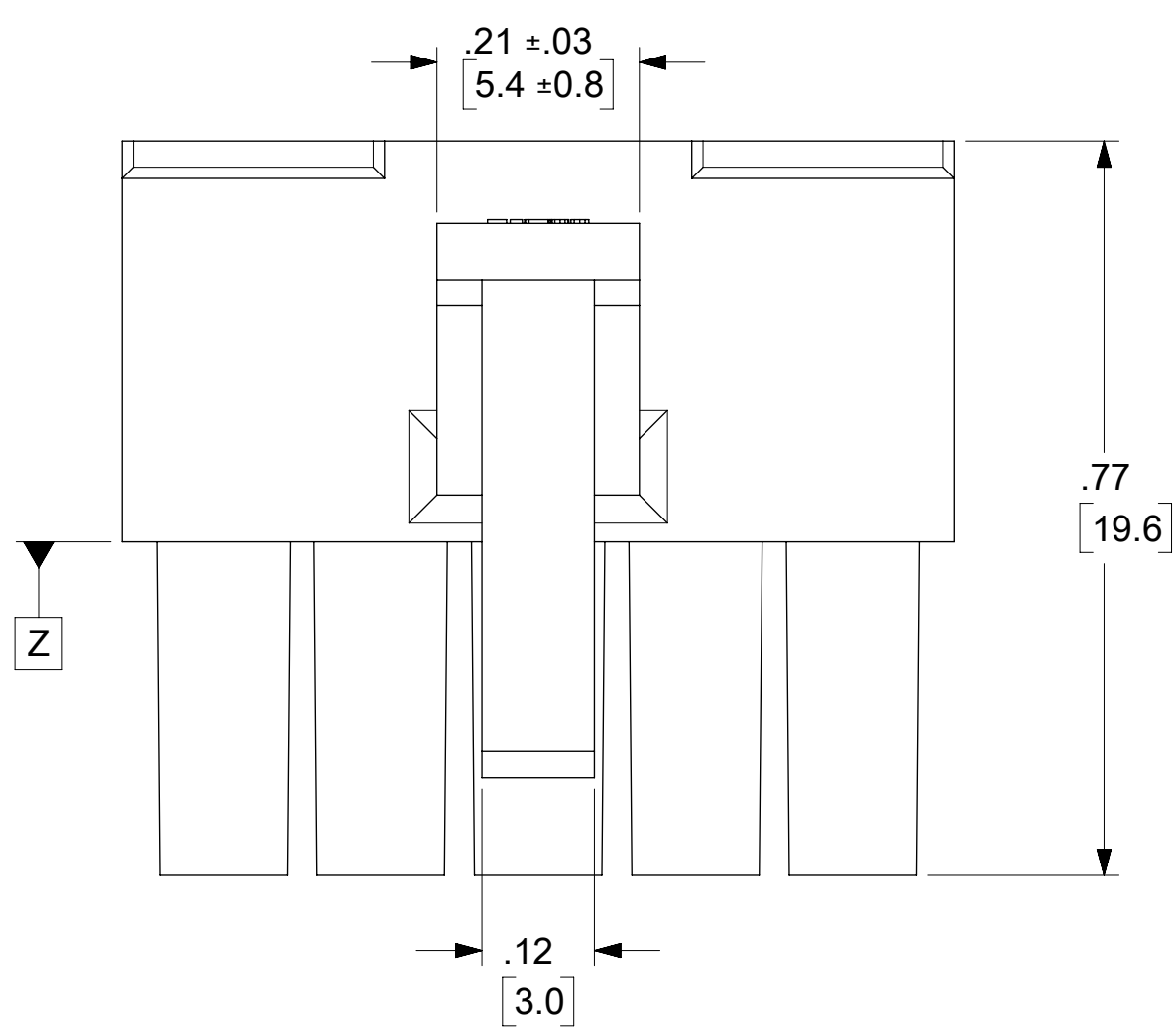
可连接使用部件

描述	产品编号
Pre-Crimped Lead Mini-Fit Female-to-Mini-Fit Female, Tin (Sn) Plating, 150.00mm Length, 18 AWG, Red	<a href="/content/molex/molex-dot-com/cn/zh/products/product-page.html/797580001.html">/content/molex/molex-dot-com/cn/zh/products/product-page.html/797580001.html</a>
Pre-Crimped Lead Mini-Fit Female-to-Mini-Fit Female, Tin (Sn) Plating, 300.00mm Length, 18 AWG, Red	<a href="/content/molex/molex-dot-com/cn/zh/products/product-page.html/797580009.html">/content/molex/molex-dot-com/cn/zh/products/product-page.html/797580009.html</a>
Mini-Fit Female Crimp Terminals	<u>5556</u>
Mini-Fit Plus Female Crimp Terminals	<u>45750</u>
Mini-Fit Jr. Hermaphroditic Backshells	<u>204723</u>



NOTES:

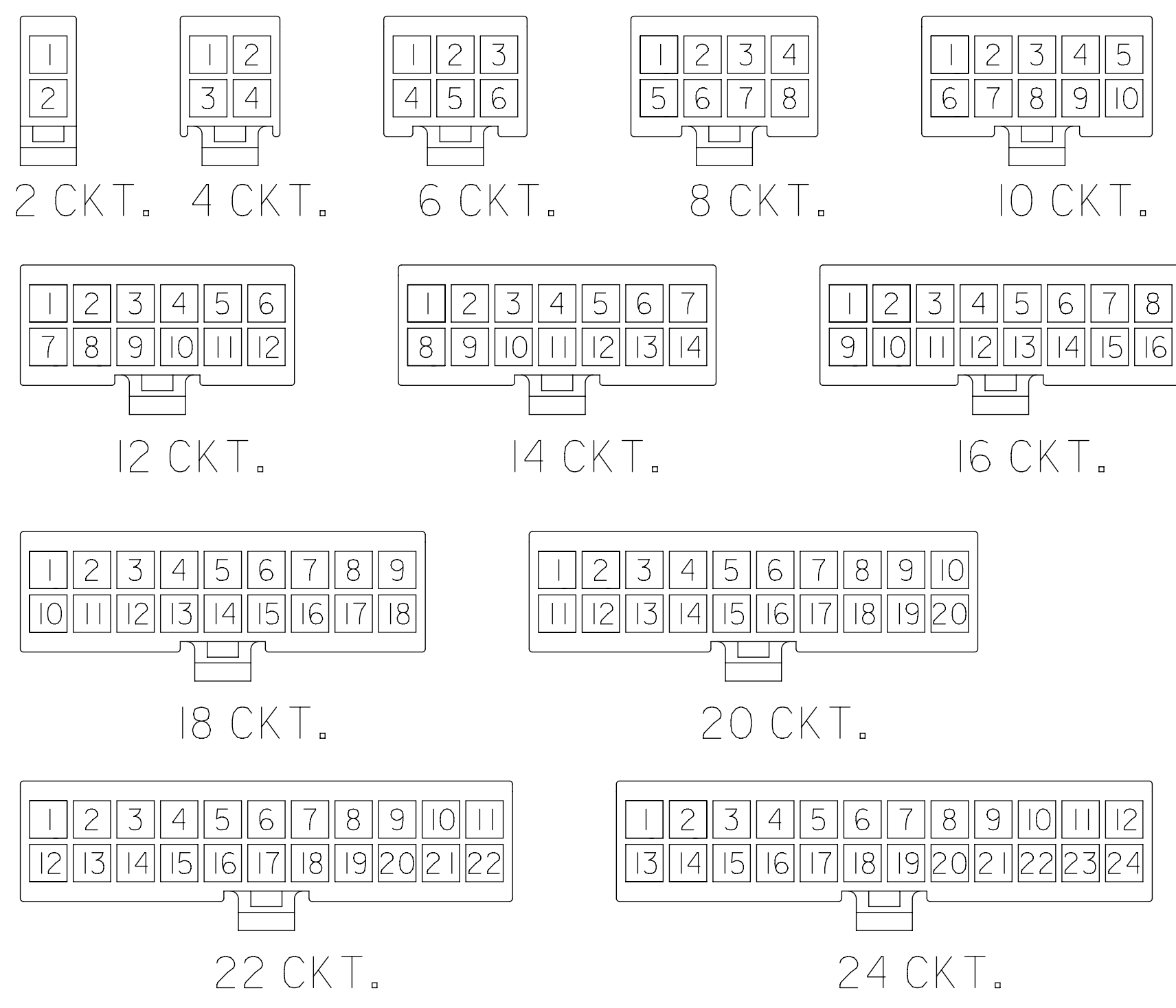
- 1) MATERIAL:  
 "BLANK" = NYLON 6/6, UNFILLED UL94V-2, COLOR: NATURAL.  
 "BL" = NYLON 6/6, UNFILLED UL94V-2, COLOR: BLACK.  
 "BU" = NYLON 6/6, UNFILLED UL94V-2, COLOR: BLUE.  
 "RE" = NYLON 6/6, UNFILLED UL94V-2, COLOR: RED.  
 "YE" = NYLON 6/6, UNFILLED UL94V-2, COLOR: YELLOW  
 "GRE" = NYLON 6/6, UNFILLED UL94V-2, COLOR: GREEN.  
 "210" = NYLON 6/6, UNFILLED UL94V-0, COLOR: NATURAL.  
 "400" = NYLON 6/6, UNFILLED UL94V-0, COLOR: BLACK.
- 2) FINISH: NOT APPLICABLE
- 3) PRODUCT SPECIFICATION: PS-5556-001
- 4) PACKAGING: BULK PACKED PER PK-5557-002
- 5) PART MATES WITH MOLEX PLUG #5559, #172762-0\*\*\* AND HEADERS #5566, #5569.
- 6) PART TO BE USED WITH MOLEX FEMALE TERMINAL #5556, #45750.
- 7) PART IS NOT DESIGNED FOR CURRENT SHARING.
- 8) CONNECTORS ARE NOT TO BE MATED OR UNMATED WHILE CIRCUITS ARE LIVE.
- 9) WIRES ARE TO BE DRESSED IN SUCH A MANNER TO ALLOW THE TERMINALS TO FLOAT FREELY IN THE POCKET.
- 10) PART CONFORMS TO CLASS "B" REQUIREMENTS OF COSMETIC SPECIFICATION PS-45499-002 WITH THE EXCEPTION OF DISCOLORATION, FLASH AND SINK MEET CLASS "C" REQUIREMENTS.
- 11) TO BE MEASURED AT SURFACE [Z]
- 12) TEXT ON PART IS FOR REFERENCE ONLY. TEXT AND TEXT LOCATION MAY VARY DEPENDING ON PART NUMBER AND/OR TOOL.
- 13) BUBBLE IS ACCEPTABLE ON LATCH AREA.



2.031/(51.60)	1.819/(46.20)	24
1.866/(47.40)	1.654/(42.00)	22
1.701/(43.20)	1.488/(37.80)	20
1.535/(39.00)	1.323/(33.60)	18
1.370/(34.80)	1.157/(29.40)	16
1.205/(30.60)	0.992/(25.20)	14
1.039/(26.40)	0.827/(21.00)	12
0.874/(22.20)	0.661/(16.80)	10
0.709/(18.00)	0.496/(12.60)	8
0.543/(13.80)	0.331/(8.40)	6
0.378/(9.60)	0.165/(4.20)	4
0.213/(5.40)	---	2
A	B	NO. OF CKTS.

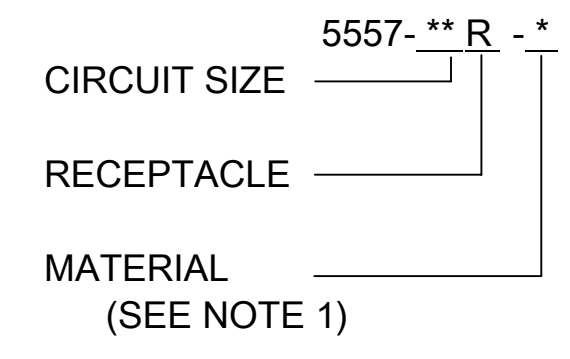
THIS DRAWING CONTAINS INFORMATION THAT IS PROPRIETARY TO MOLEX ELECTRONIC TECHNOLOGIES, LLC AND SHOULD NOT BE USED WITHOUT WRITTEN PERMISSION

DIMENSION UNITS	SCALE	CURRENT REV DESC: RE-MASTERED USING THE MODEL SERIES 5557**00.	<b>molex</b>		
IN/MM	NTS				
GENERAL TOLERANCES (UNLESS SPECIFIED)			MINIFIT JR RECEPTACLE HOUSING DUAL ROW 2-24 CKT		
4 PLACES	±	±	PRODUCT CUSTOMER DRAWING		
3 PLACES	±	± 0.01	DOCUMENT NUMBER		
2 PLACES	± 0.25	± 0.015	SD-5557-003		
1 PLACE	± 0.38	±	DOC TYPE DOC PART REVISION		
0 PLACES	±	±	PSD 000 K1		
ANGULAR TOL	± 0.5 °		MATERIAL NUMBER		
DRAFT WHERE APPLICABLE MUST REMAIN WITHIN DIMENSIONS	THIRD ANGLE PROJECTION	DRAWING	CUSTOMER		
		C-SIZE	GENERAL MARKET		
		SERIES	SHEET NUMBER		
		5557	1 OF 2		



CIRCUIT SIZE LAYOUT  
(NOT TO SCALE)

**LEGEND**



	V-0 (BLACK)			V-0 (NATURAL)		
	EDP. NO.	ENG. NO.	NO. OF CKTS.	EDP. NO.	ENG. NO.	NO. OF CKTS.
	39-03-9242	5557-24R-400	24	39-01-2245	5557-24R-210	24
	-	-	22	39-01-2225	5557-22R-210	22
	-	-	20	39-01-2205	5557-20R-210	20
	39-03-9182	5557-18R-400	18	39-01-2185	5557-18R-210	18
	39-03-9162	5557-16R-400	16	39-01-2165	5557-16R-210	16
	39-03-9142	5557-14R-400	14	39-01-2145	5557-14R-210	14
	39-03-9122	5557-12R-400	12	39-01-2125	5557-12R-210	12
	39-03-9102	5557-10R-400	10	39-01-2105	5557-10R-210	10
	39-03-9082	5557-08R-400	8	39-01-2085	5557-08R-210	8
	39-03-9062	5557-06R-400	6	39-01-2065	5557-06R-210	6
	39-03-9042	5557-04R-400	4	39-01-2045	5557-04R-210	4
	39-03-9022	5557-02R-400	2	39-01-2025	5557-02R-210	2
	EDP. NO.	ENG. NO.	NO. OF CKTS.	EDP. NO.	ENG. NO.	NO. OF CKTS.

\* = CONSULT FACTORY FOR AVAILABILITY.

	V-2 (BLUE)			V-2 (GREEN)			V-2 (YELLOW)			V-2 (RED)			V-2 (BLACK)			V-2 (NATURAL)		
	EDP. NO.	ENG. NO.	NO. OF CKTS.	EDP. NO.	ENG. NO.	NO. OF CKTS.	EDP. NO.	ENG. NO.	NO. OF CKTS.	EDP. NO.	ENG. NO.	NO. OF CKTS.	EDP. NO.	ENG. NO.	NO. OF CKTS.	EDP. NO.	ENG. NO.	NO. OF CKTS.
			24			24			24	-	-	24	-	-	24	39-01-2240	5557-24R	24
			22			22			22	-	-	22	39-01-3225	5557-22R-BL	22	39-01-2220	5557-22R	22
			20			20			20	-	-	20	-	-	20	39-01-2200	5557-20R	20
			18			18			18	-	-	18	-	-	18	39-01-2180	5557-18R	18
			16			16			16	-	-	16	-	-	16	39-01-2160	5557-16R	16
			14			14			14	-	-	14	-	-	14	39-01-2140	5557-14R	14
			12			12			12	-	-	12	39-01-3125	5557-12R-BL	12	39-01-2120	5557-12R	12
*	39-02-7108	5557-10R-BU	10			10			10	-	-	10	39-01-3105	5557-10R-BL	10	39-01-2100	5557-10R	10
			8			8			8	-	-	8	39-01-3085	5557-08R-BL	8	39-01-2080	5557-08R	8
			6			6			6	39-02-8060	5557-06R-RE	6	39-01-3065	5557-06R-BL	6	39-01-2060	5557-06R	6
			4			4			4	* 39-02-8040	5557-04R-RE	4	39-01-3045	5557-04R-BL	4	39-01-2040	5557-04R	4
			2			2			2	-	-	2	39-01-3025	5557-02R-BL	2	39-01-2020	5557-02R	2
	EDP. NO.	ENG. NO.	NO. OF CKTS.	EDP. NO.	ENG. NO.	NO. OF CKTS.	EDP. NO.	ENG. NO.	NO. OF CKTS.	EDP. NO.	ENG. NO.	NO. OF CKTS.	EDP. NO.	ENG. NO.	NO. OF CKTS.	EDP. NO.	ENG. NO.	NO. OF CKTS.

THIS DRAWING CONTAINS INFORMATION THAT IS PROPRIETARY TO MOLEX ELECTRONIC TECHNOLOGIES, LLC AND SHOULD NOT BE USED WITHOUT WRITTEN PERMISSION

DIMENSION UNITS	SCALE	CURRENT REV DESC: RE-MASTERED USING THE MODEL SERIES 5557**00.	
IN/MM	NTS	<p>MINIFIT JR RECEPTACLE HOUSING DUAL ROW 2-24 CKT</p> <p>PRODUCT CUSTOMER DRAWING</p> <p>DOCUMENT NUMBER: SD-5557-003 DOC TYPE: PSD DOC PART: 000 REVISION: K1</p>	
GENERAL TOLERANCES (UNLESS SPECIFIED)			
	MM		INCH
4 PLACES	±		±
3 PLACES	±		± 0.01
2 PLACES	± 0.25	± 0.015	
1 PLACE	± 0.38	±	
0 PLACES	±	±	
ANGULAR TOL	± 0.5 °		
DRAFT WHERE APPLICABLE MUST REMAIN WITHIN DIMENSIONS	THIRD ANGLE PROJECTION	DRAWING SERIES: C-SIZE 5557	

EC NO: 778837  
DRWN: NAVEEK19 2024/02/12  
CHK'D: XQZHANG 2024/03/04  
APPR: XQZHANG 2024/03/04

INITIAL REVISION:  
DRWN: S.MOCHIZUKI 1990/02/22  
APPR: FSMITH 2011/02/21

MATERIAL NUMBER: SEE TABLE  
CUSTOMER: GENERAL MARKET  
SHEET NUMBER: 2 OF 2