



产品编号 : 39012065

系列号 : 5557

Product Category : Connector Housings

Product Description : Mini-Fit Jr.  
Receptacle Housing, Dual Row, 6 Circuits,  
UL 94V-0, Natural

状态 : Active

工程编号 : 5557-06R-210

---

## 文件和资源

### 图纸

图纸 039012065\_sd.pdf

包装设计图 PK-5557-002-000.pdf

### 3D 模型和设计文件

3D模型 039012065\_stp.zip

### 规格

应用规格 55560001-AS-000.pdf

应用规格 AS-5557-001-001.pdf

产品规格 PS-45750-001-001.pdf

产品规格 55560002-PS-CH-000.pdf

产品规格 55560002-PS-ES-000.pdf

产品规格 55560002-PS-SK-000.pdf

产品规格 PS-5556-001-001.pdf

产品规格 PS-5556-002-001.pdf


测试摘要 55560010-TS-000.pdf

测试摘要 TS-5556-002-001.pdf

---

## 产物环境合规

### 合规

|                    |   |
|--------------------|---|
| GADSL/IMDS         | Not Relevant  |
| China RoHS         |  |
| EU ELV             | Compliant per 2000/53/EC  |
| Low-Halogen Status | Low-Halogen per IEC 61249-2-21  |
| REACH SVHC         | Not Contained per D(2023)8585-DC<br>(23 Jan 2024)                                     |
| EU RoHS            | Compliant per EU 2015/863   |

### 多部分产品合规性声明

- Eu RoHS

- REACH SVHC
- Low-Halogen
- IPC 1752A Class C
- IPC 1752A Class D
- Molex Product Compliance Declaration
- IEC-62474
- chemSHERPA (xml)

欧盟 RoHS 合格证书

## 产品详情

### 常规

|      |  |
|------|--|
| 状态   | 活动   |
| 类别   | Connector Housings   |
| 系列   | 5557   |
| 说明   | Mini-Fit Jr. Receptacle Housing, Dual Row, 6 Circuits, UL 94V-0, Natural   |
| 应用   | Power, Wire-to-Board, Wire-to-Wire   |
| 个评论  | Current = 13A max. per circuit when header is mated to a receptacle loaded with 45750 series terminals crimped to 16 AWG wire. See Molex product specification PS-45750-001 for additional current derating information. Use with Strain Relief. |
| 产品系列 | Mini-Fit Family Power Connectors   |
| 产品名称 | Mini-Fit Jr.   |
| UPC  | 800753584334   |

### 机构

|     |         |
|-----|---------|
| CSA | LR19980 |
| UL  | E29179  |

### 物理

|          |         |
|----------|---------|
| 断开       | 否       |
| 电路数 (最多) | 6       |
| 颜色-树脂    | Natural |

|           |                 |
|-----------|-----------------|
| 阻燃性       | 94V-0           |
| 性别        | Receptacle      |
| 符合灼热丝规范   | 否               |
| 材料 - 树脂   | Nylon           |
| 净重        | 1.405/g         |
| 行数        | 2               |
| 包装形式      | Bag             |
| 面板安装式     | 否               |
| 间距 - 插配接口 | 4.20mm          |
| 间距 - 终端界面 | 4.20mm          |
| 有极性的插配件   | 是               |
| 可堆叠的      | 否               |
| 运行温度范围    | -40° to +105° C |

#### 进程

|    |     |
|----|-----|
| 无铅 | 不适用 |
|----|-----|

---

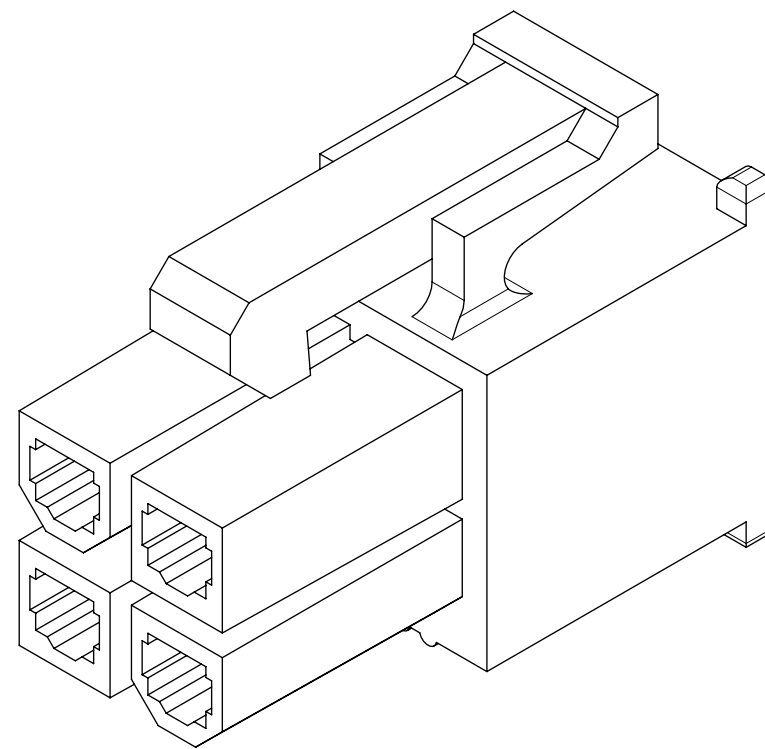
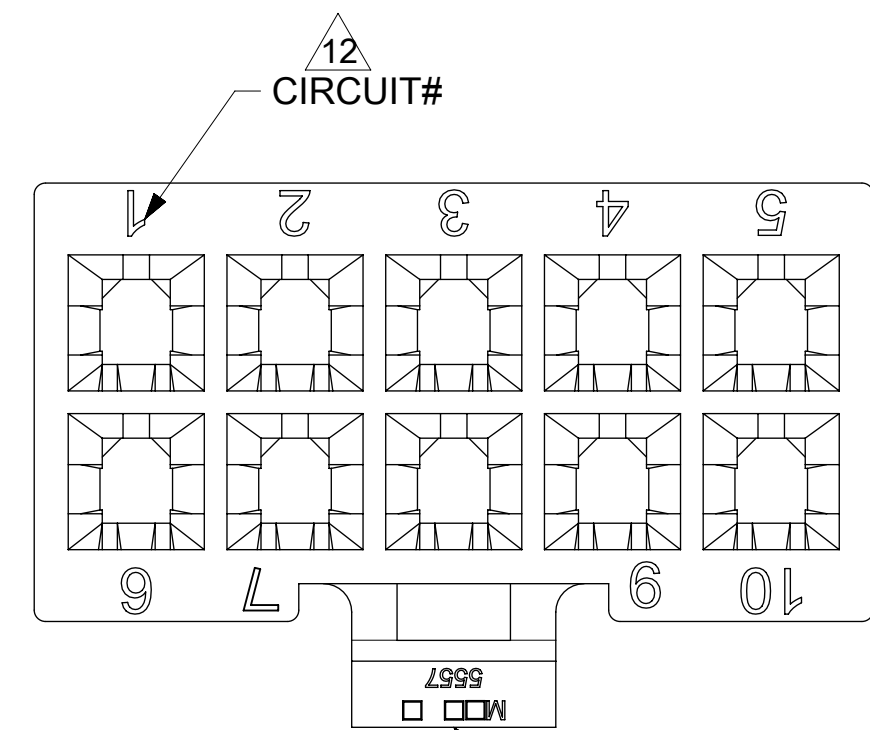
#### 可配插/可连接使用的产品

##### 可配插部件

| 描述  | 产品编号         |
|---|--------------|
| Mini-Fit BMI Right-Angle Dual Row Headers | <u>42404</u> |
| Mini-Fit BMI Vertical Dual Row Headers    | <u>42440</u> |
| Mini-Fit BMI Right-Angle Dual Row Headers | <u>43810</u> |
| Mini-Fit BMI Vertical Dual Row Headers    | <u>44068</u> |
| Mini-Fit Jr. Dual Row Test Plugs          | <u>44281</u> |
| Mini-Fit Jr. Plug Housings                | <u>5559</u>  |
| Mini-Fit Jr. Vertical Headers             | <u>5566</u>  |
| Mini-Fit Jr. Right-Angle Headers          | <u>5569</u>  |
| Mini-Fit Jr. Dual Row Headers             | <u>87427</u> |

## 可连接使用部件

| 描述  | 产品编号  |
|---|---|
| Pre-Crimped Lead Mini-Fit Female-to-Mini-Fit Female, Tin (Sn) Plating, 150.00mm Length, 18 AWG, Red | <a href="/content/molex/molex-dot-com/cn/zh/products/product-page.html/797580001.html">/content/molex/molex-dot-com/cn/zh/products/product-page.html/797580001.html</a> |
| Pre-Crimped Lead Mini-Fit Female-to-Mini-Fit Female, Tin (Sn) Plating, 300.00mm Length, 18 AWG, Red | <a href="/content/molex/molex-dot-com/cn/zh/products/product-page.html/797580009.html">/content/molex/molex-dot-com/cn/zh/products/product-page.html/797580009.html</a> |
| Mini-Fit Female Crimp Terminals   | <u>5556</u>   |
| Mini-Fit Plus Female Crimp Terminals  | <u>45750</u>  |
| Mini-Fit Jr. Hermaphroditic Backshells  | <u>204723</u>   |



4 CKT SHOWN

NOTES:

1) MATERIAL:

- "BLANK" = NYLON 6/6, UNFILLED UL94V-2, COLOR: NATURAL.
- "BL" = NYLON 6/6, UNFILLED UL94V-2, COLOR: BLACK.
- "BU" = NYLON 6/6, UNFILLED UL94V-2, COLOR: BLUE.
- "RE" = NYLON 6/6, UNFILLED UL94V-2, COLOR: RED.
- "YE" = NYLON 6/6, UNFILLED UL94V-2, COLOR: YELLOW
- "GRE" = NYLON 6/6, UNFILLED UL94V-2, COLOR: GREEN.
- "210" = NYLON 6/6, UNFILLED UL94V-0, COLOR: NATURAL.
- "400" = NYLON 6/6, UNFILLED UL94V-0, COLOR: BLACK.

2) FINISH: NOT APPLICABLE

3) PRODUCT SPECIFICATION: PS-5556-001

4) PACKAGING: BULK PACKED PER PK-5557-002

5) PART MATES WITH MOLEX PLUG #5559, #172762-0\*\*\* AND HEADERS #5566, #5569.

6) PART TO BE USED WITH MOLEX FEMALE TERMINAL #5556, #45750.

7) PART IS NOT DESIGNED FOR CURRENT SHARING.

8) CONNECTORS ARE NOT TO BE MATED OR UNMATED WHILE CIRCUITS ARE LIVE.

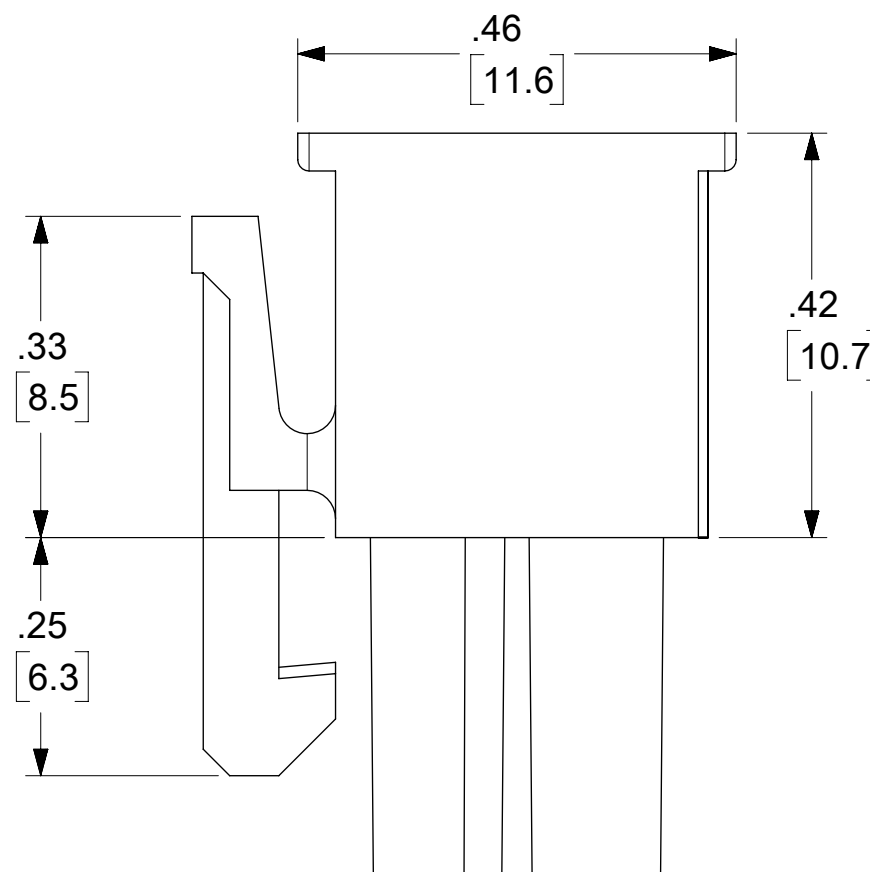
9) WIRES ARE TO BE DRESSED IN SUCH A MANNER TO ALLOW THE TERMINALS TO FLOAT FREELY IN THE POCKET.

10) PART CONFORMS TO CLASS "B" REQUIREMENTS OF COSMETIC SPECIFICATION PS-45499-002 WITH THE EXCEPTION OF DISCOLORATION, FLASH AND SINK MEET CLASS "C" REQUIREMENTS.

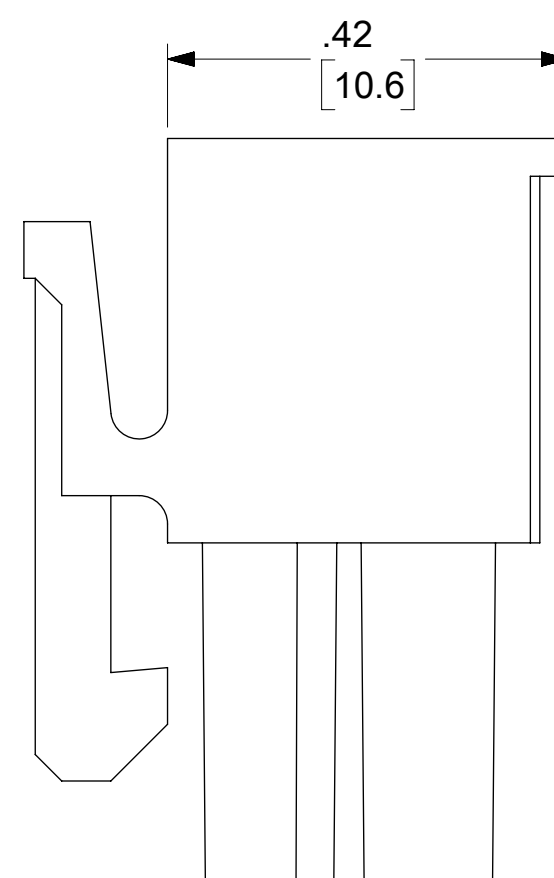
11 TO BE MEASURED AT SURFACE Z

12 TEXT ON PART IS FOR REFERENCE ONLY. TEXT AND TEXT LOCATION MAY VARY DEPENDING ON PART NUMBER AND/OR TOOL.

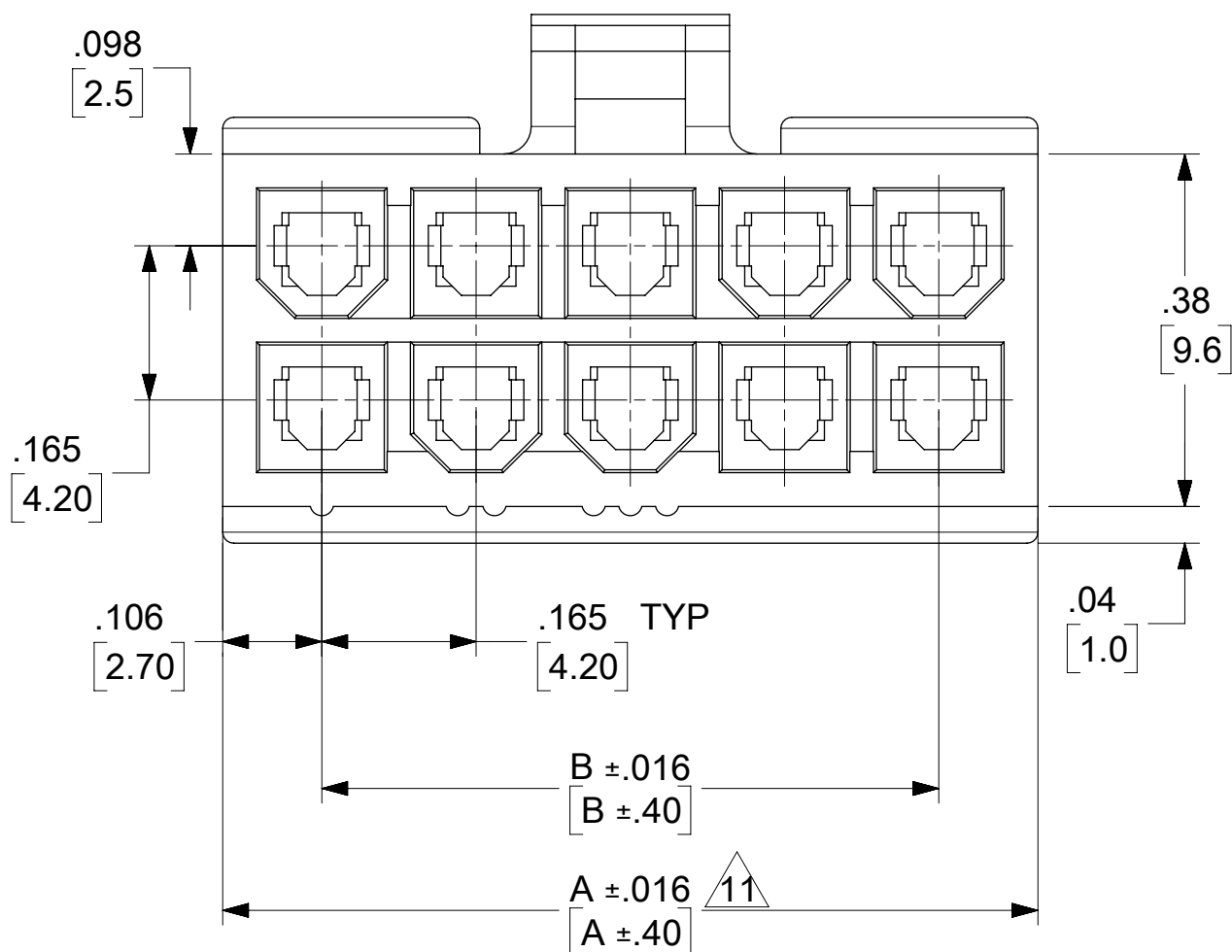
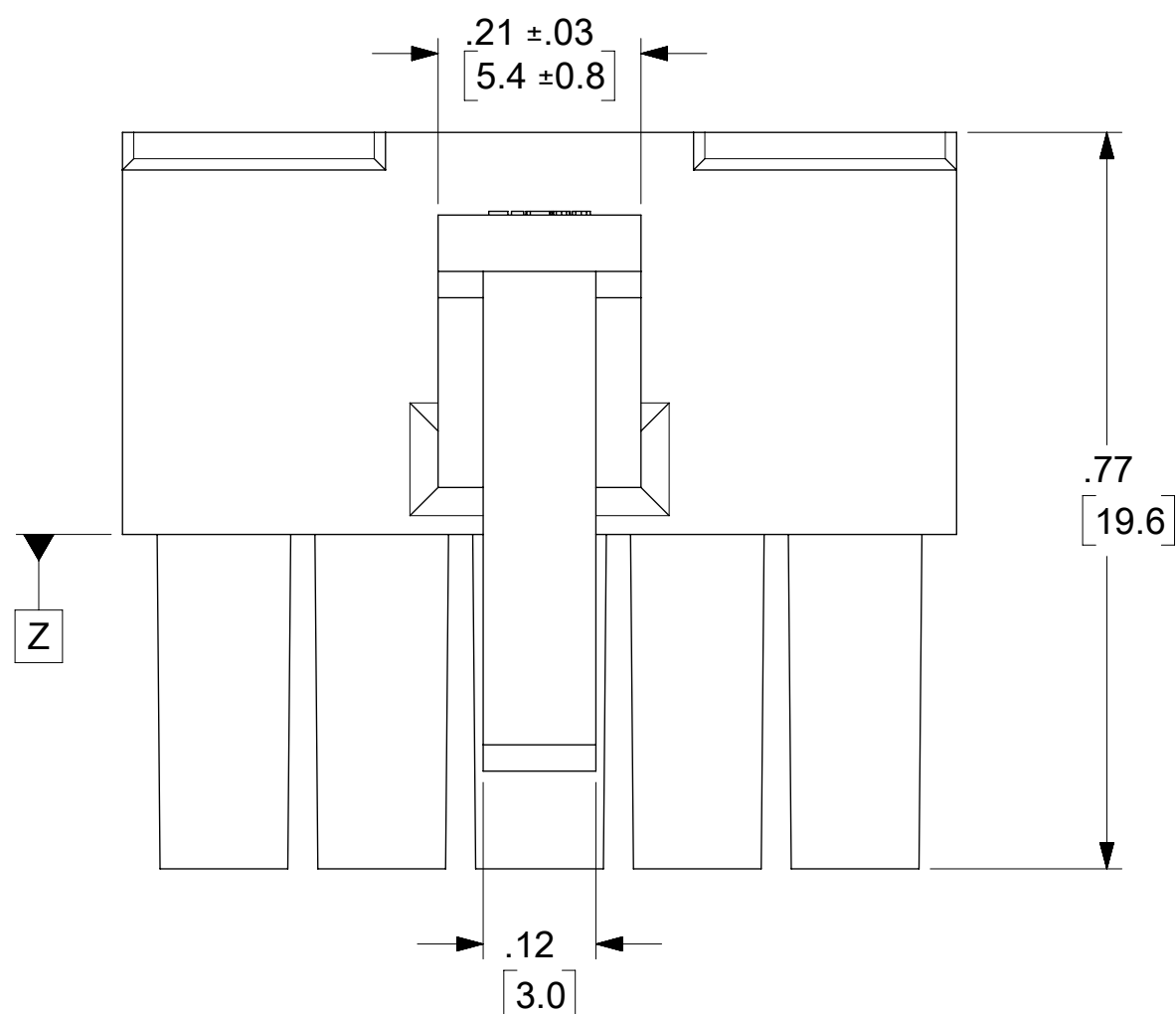
13) BUBBLE IS ACCEPTABLE ON LATCH AREA.



4-24 CKT



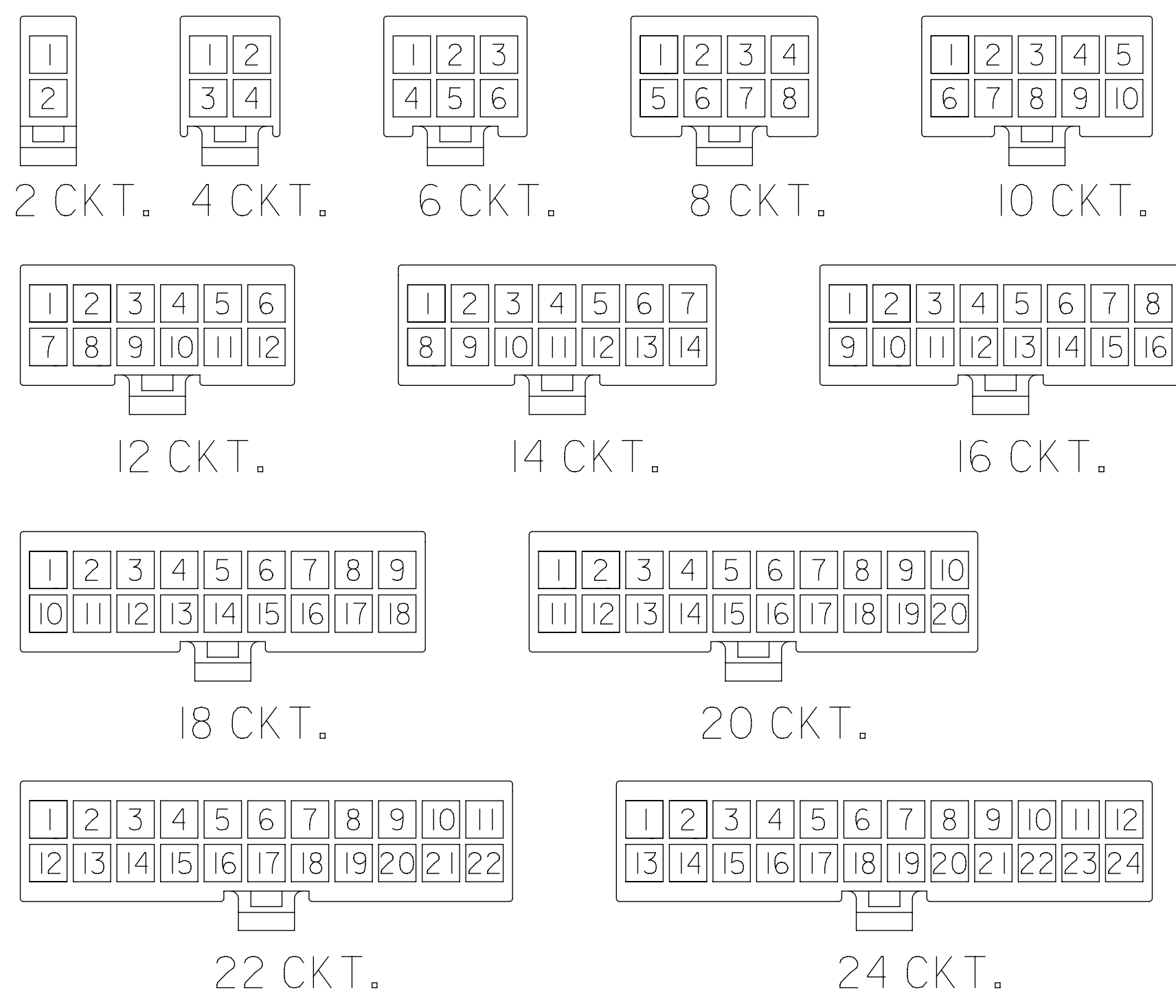
2 CKT ONLY



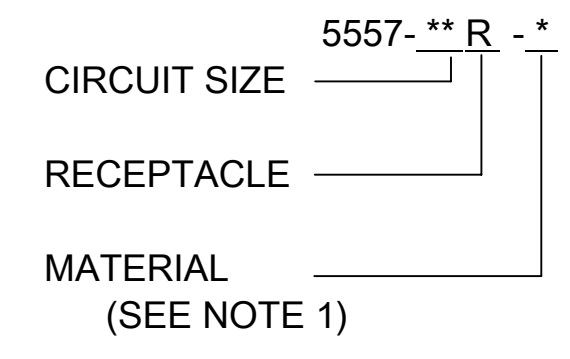
|               |               |              |
|---------------|---------------|--------------|
| 2.031/(51.60) | 1.819/(46.20) | 24           |
| 1.866/(47.40) | 1.654/(42.00) | 22           |
| 1.701/(43.20) | 1.488/(37.80) | 20           |
| 1.535/(39.00) | 1.323/(33.60) | 18           |
| 1.370/(34.80) | 1.157/(29.40) | 16           |
| 1.205/(30.60) | 0.992/(25.20) | 14           |
| 1.039/(26.40) | 0.827/(21.00) | 12           |
| 0.874/(22.20) | 0.661/(16.80) | 10           |
| 0.709/(18.00) | 0.496/(12.60) | 8            |
| 0.543/(13.80) | 0.331/(8.40)  | 6            |
| 0.378/(9.60)  | 0.165/(4.20)  | 4            |
| 0.213/(5.40)  | ---           | 2            |
| A             | B             | NO. OF CKTS. |

THIS DRAWING CONTAINS INFORMATION THAT IS PROPRIETARY TO MOLEX ELECTRONIC TECHNOLOGIES, LLC AND SHOULD NOT BE USED WITHOUT WRITTEN PERMISSION

|  |        |                        |                              |  |                 |
|--|--------|------------------------|------------------------------|--|-----------------|
| DIMENSION UNITS                                      |        | SCALE                  |                              | CURRENT REV DESC: RE-MASTERED USING THE MODEL SERIES 5557**00. |                 |
| IN/MM  |        | NTS                    |                              |  |                 |
| GENERAL TOLERANCES (UNLESS SPECIFIED)                |        |                        |                              |  |                 |
|  | MM     | INCH                   |                              |  |                 |
| 4 PLACES   | ±      | ±                      | EC NO: 778837                |  |                 |
| 3 PLACES   | ±      | ± 0.01                 | DRWN: NAVEEK19 2024/02/12    |  |                 |
| 2 PLACES   | ± 0.25 | ± 0.015                | CHK'D: XQZHANG 2024/03/04    |  |                 |
| 1 PLACE  | ± 0.38 | ±                      | APPR: XQZHANG 2024/03/04     |  |                 |
| 0 PLACES   | ±      | ±                      | INITIAL REVISION:            |  |                 |
| ANGULAR TOL  |        | ± 0.5 °                | DRWN: S.MOCHIZUKI 1990/02/22 |  |                 |
| DRAFT WHERE APPLICABLE MUST REMAIN WITHIN DIMENSIONS |        | THIRD ANGLE PROJECTION | DRAWING                      | SERIES   | DOCUMENT NUMBER |
|  |        |                        | C-SIZE                       | 5557   | SD-5557-003     |
| DOCUMENT STATUS                                      |        | P1                     | RELEASE DATE                 | 2024/03/04 02:00:21  | DOC TYPE        |
|  |        |                        |                              |  | PSD             |
|  |        |                        |                              |  | DOC PART        |
|  |        |                        |                              |  | 000             |
|  |        |                        |                              |  | REVISION        |
|  |        |                        |                              |  | K1              |
|  |        |                        |                              |  | SHEET NUMBER    |
|  |        |                        |                              |  | 1 OF 2          |



**LEGEND**



CIRCUIT SIZE LAYOUT  
 (NOT TO SCALE)

| V-0 (BLACK) |              |              | V-0 (NATURAL) |              |              |
|-------------|--------------|--------------|---------------|--------------|--------------|
| 39-03-9242  | 5557-24R-400 | 24           | 39-01-2245    | 5557-24R-210 | 24           |
| -           | -            | 22           | 39-01-2225    | 5557-22R-210 | 22           |
| -           | -            | 20           | 39-01-2205    | 5557-20R-210 | 20           |
| 39-03-9182  | 5557-18R-400 | 18           | 39-01-2185    | 5557-18R-210 | 18           |
| 39-03-9162  | 5557-16R-400 | 16           | 39-01-2165    | 5557-16R-210 | 16           |
| 39-03-9142  | 5557-14R-400 | 14           | 39-01-2145    | 5557-14R-210 | 14           |
| 39-03-9122  | 5557-12R-400 | 12           | 39-01-2125    | 5557-12R-210 | 12           |
| 39-03-9102  | 5557-10R-400 | 10           | 39-01-2105    | 5557-10R-210 | 10           |
| 39-03-9082  | 5557-08R-400 | 8            | 39-01-2085    | 5557-08R-210 | 8            |
| 39-03-9062  | 5557-06R-400 | 6            | 39-01-2065    | 5557-06R-210 | 6            |
| 39-03-9042  | 5557-04R-400 | 4            | 39-01-2045    | 5557-04R-210 | 4            |
| 39-03-9022  | 5557-02R-400 | 2            | 39-01-2025    | 5557-02R-210 | 2            |
| EDP. NO.    | ENG. NO.     | NO. OF CKTS. | EDP. NO.      | ENG. NO.     | NO. OF CKTS. |

\* = CONSULT FACTORY FOR AVAILABILITY.

| V-2 (BLUE) |            |              | V-2 (GREEN) |          |              | V-2 (YELLOW) |          |              | V-2 (RED)  |             |              | V-2 (BLACK) |             |              | V-2 (NATURAL) |            |              |   |
|------------|------------|--------------|-------------|----------|--------------|--------------|----------|--------------|------------|-------------|--------------|-------------|-------------|--------------|---------------|------------|--------------|---|
|            |            | 24           |             |          | 24           |              |          | 24           | -          | -           | 24           | -           | -           | 24           | 39-01-2240    | 5557-24R   | 24           |   |
|            |            | 22           |             |          | 22           |              |          | 22           | -          | -           | 22           | 39-01-3225  | 5557-22R-BL | 22           | 39-01-2220    | 5557-22R   | 22           |   |
|            |            | 20           |             |          | 20           |              |          | 20           | -          | -           | 20           | -           | -           | 20           | 39-01-2200    | 5557-20R   | 20           |   |
|            |            | 18           |             |          | 18           |              |          | 18           | -          | -           | 18           | -           | -           | 18           | 39-01-2180    | 5557-18R   | 18           |   |
|            |            | 16           |             |          | 16           |              |          | 16           | -          | -           | 16           | -           | -           | 16           | 39-01-2160    | 5557-16R   | 16           |   |
|            |            | 14           |             |          | 14           |              |          | 14           | -          | -           | 14           | -           | -           | 14           | 39-01-2140    | 5557-14R   | 14           |   |
|            |            | 12           |             |          | 12           |              |          | 12           | -          | -           | 12           | 39-01-3125  | 5557-12R-BL | 12           | 39-01-2120    | 5557-12R   | 12           |   |
| *          | 39-02-7108 | 5557-10R-BU  | 10          |          | 10           |              |          | 10           | -          | -           | 10           | 39-01-3105  | 5557-10R-BL | 10           | 39-01-2100    | 5557-10R   | 10           |   |
|            |            |              | 8           |          | 8            |              |          | 8            | -          | -           | 8            | 39-01-3085  | 5557-08R-BL | 8            | 39-01-2080    | 5557-08R   | 8            |   |
|            |            |              | 6           |          | 6            |              |          | 6            | 39-02-8060 | 5557-06R-RE | 6            | 39-01-3065  | 5557-06R-BL | 6            | 39-01-2060    | 5557-06R   | 6            |   |
|            |            |              | 4           |          | 4            |              |          | 4            | *          | 39-02-8040  | 5557-04R-RE  | 4           | 39-01-3045  | 5557-04R-BL  | 4             | 39-01-2040 | 5557-04R     | 4 |
|            |            |              | 2           |          | 2            |              |          | 2            | -          | -           | 2            | 39-01-3025  | 5557-02R-BL | 2            | 39-01-2020    | 5557-02R   | 2            |   |
| EDP. NO.   | ENG. NO.   | NO. OF CKTS. | EDP. NO.    | ENG. NO. | NO. OF CKTS. | EDP. NO.     | ENG. NO. | NO. OF CKTS. | EDP. NO.   | ENG. NO.    | NO. OF CKTS. | EDP. NO.    | ENG. NO.    | NO. OF CKTS. | EDP. NO.      | ENG. NO.   | NO. OF CKTS. |   |

THIS DRAWING CONTAINS INFORMATION THAT IS PROPRIETARY TO MOLEX ELECTRONIC TECHNOLOGIES, LLC AND SHOULD NOT BE USED WITHOUT WRITTEN PERMISSION

|  |                |   |
|--|----------------|---|
| DIMENSION UNITS                                      | SCALE          | CURRENT REV DESC: RE-MASTERED USING THE MODEL SERIES 5557**00.  |
| IN/MM  | NTS            | <p>MINIFIT JR<br/>RECEPTACLE HOUSING DUAL ROW 2-24 CKT</p> <p>PRODUCT CUSTOMER DRAWING</p> <p>DOCUMENT NUMBER: SD-5557-003<br/>DOC TYPE: PSD<br/>DOC PART: 000<br/>REVISION: K1</p> |
| GENERAL TOLERANCES (UNLESS SPECIFIED)                |                |   |
|  | MM INCH        |   |
| 4 PLACES   | ± 0.25 ± 0.015 |   |
| 3 PLACES   | ± 0.38 ± 0.015 |   |
| 2 PLACES   | ± 0.50 ± 0.015 |   |
| 1 PLACE  | ± 0.75 ± 0.015 |   |
| 0 PLACES   | ± 1.00 ± 0.015 |   |
| ANGULAR TOL  | ± 0.5 °        |   |
| DRAFT WHERE APPLICABLE MUST REMAIN WITHIN DIMENSIONS |                | THIRD ANGLE PROJECTION  |
|  |                | DRAWING SERIES: C-SIZE 5557   |

EC NO: 778837  
 DRWN: NAVEEK19 2024/02/12  
 CHK'D: XQZHANG 2024/03/04  
 APPR: XQZHANG 2024/03/04

INITIAL REVISION:  
 DRWN: S.MOCHIZUKI 1990/02/22  
 APPR: FSMITH 2011/02/21

MATERIAL NUMBER: SEE TABLE  
 CUSTOMER: GENERAL MARKET  
 SHEET NUMBER: 2 OF 2