



产品编号 : [39012245](#)

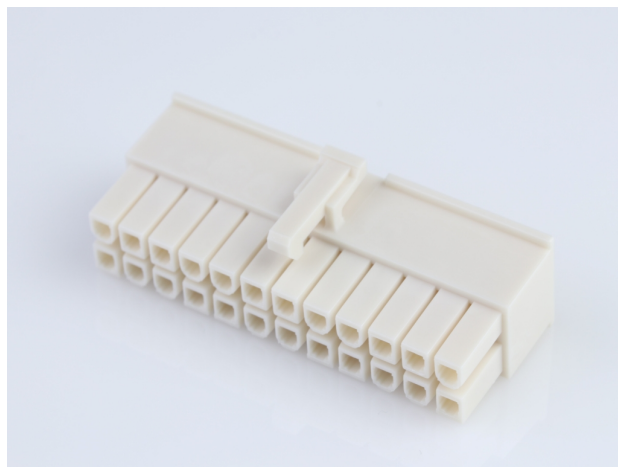
Product Description : Mini-Fit Jr.
Receptacle Housing, Dual Row, 24 Circuits,
UL 94V-0, Natural

系列号 : 5557

状态 : Active

Product Category : Connector Housings

工程编号 : 5557-24R-210



文件和资源

图纸

[图纸 039012245_sd.pdf](#)

[包装设计图 PK-5557-002-000.pdf](#)

3D 模型和设计文件

[3D模型 039012245_stp.zip](#)

规格

[应用规格 55560001-AS-000.pdf](#)

[应用规格 AS-5557-001-001.pdf](#)

[产品规格 PS-45750-001-001.pdf](#)

[产品规格 55560002-PS-CH-000.pdf](#)

[产品规格 55560002-PS-ES-000.pdf](#)

[产品规格 55560002-PS-SK-000.pdf](#)

[产品规格 PS-5556-001-001.pdf](#)


[产品规格 PS-5556-002-001.pdf](#)

[测试摘要 55560010-TS-000.pdf](#)

[测试摘要 TS-5556-002-001.pdf](#)

产物环境合规

合规

GADSL/IMDS	Not Relevant
China RoHS	
EU ELV	Not Relevant
Low-Halogen Status	Low-Halogen per IEC 61249-2-21

REACH SVHC	Not Contained per D(2023)8585-DC (23 Jan 2024)
EU RoHS	Compliant per EU 2015/863

多部分产品合规性声明

- Eu RoHS
- REACH SVHC
- Low-Halogen

多部分行业合规性文件

- IPC 1752A Class C
- IPC 1752A Class D
- Molex Product Compliance Declaration
- IEC-62474
- chemSHERPA (xml)

欧盟 RoHS 合格证书

产品详情

常规

状态	活动
类别	Connector Housings
系列	5557
说明	Mini-Fit Jr. Receptacle Housing, Dual Row, 24 Circuits, UL 94V-0, Natural
应用	Power, Wire-to-Board, Wire-to- Wire
个评论	Current = 13A max. per circuit when header is mated to a receptacle loaded with 45750 series terminals crimped to 16 AWG wire. See Molex product specification PS-45750-001 for additional current derating information.
产品系列	Mini-Fit Family Power Connectors
产品名称	Mini-Fit Jr.
UPC	800753694439

机构

CSA	LR19980
UL	E29179

物理

断开	否
电路数 (最多)	24
颜色-树脂	Natural
阻燃性	94V-0
性别	Receptacle
符合灼热丝规范	否
材料 - 树脂	Nylon
净重	4742.300/mg
行数	2
包装形式	Bag
面板安装式	否
间距 - 插配接口	4.20mm
间距 - 终端界面	4.20mm
有极性的插配件	是
可堆叠的	否
运行温度范围	-40° to +105° C

进程

无铅	不适用
----	-----

可配插/可连接使用的产品

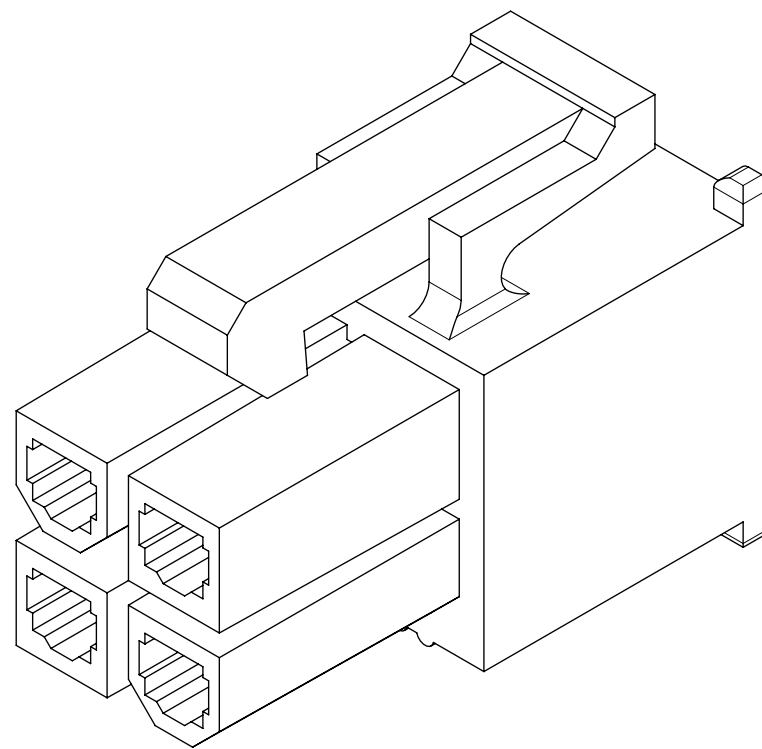
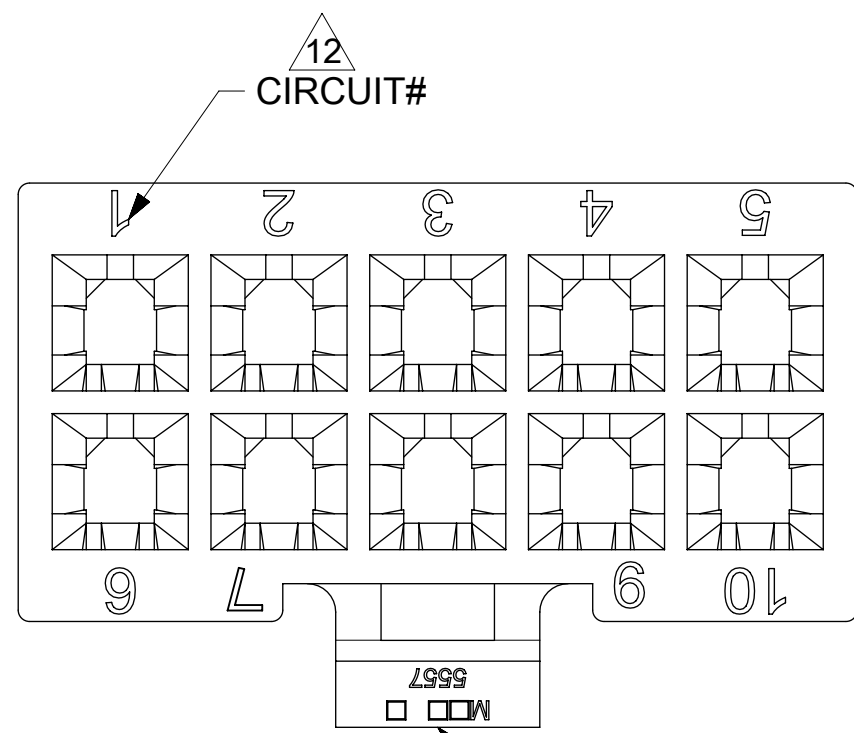
可配插部件

描述	产品编号
Mini-Fit BMI Right-Angle Dual Row Headers	<u>42404</u>
Mini-Fit BMI Vertical Dual Row Headers	<u>42440</u>
Mini-Fit BMI Right-Angle Dual Row Headers	<u>43810</u>
Mini-Fit BMI Vertical Dual Row Headers	<u>44068</u>
Mini-Fit Jr. Dual Row Test Plugs	<u>44281</u>
Mini-Fit Jr. Plug Housings	<u>5559</u>

Mini-Fit Jr. Vertical Headers	<u>5566</u>
Mini-Fit Jr. Right-Angle Headers	<u>5569</u>
Mini-Fit Jr. Dual Row Headers	<u>87427</u>

可连接使用部件

描述	产品编号
Pre-Crimped Lead Mini-Fit Female-to-Mini-Fit Female, Tin (Sn) Plating, 150.00mm Length, 18 AWG, Red	/content/molex/molex-dot-com/cn/zh/products/product-page.html/797580001.html
Pre-Crimped Lead Mini-Fit Female-to-Mini-Fit Female, Tin (Sn) Plating, 300.00mm Length, 18 AWG, Red	/content/molex/molex-dot-com/cn/zh/products/product-page.html/797580009.html
Mini-Fit Female Crimp Terminals	<u>5556</u>
Mini-Fit Plus Female Crimp Terminals	<u>45750</u>



NOTES:

1) MATERIAL:

- "BLANK" = NYLON 6/6, UNFILLED UL94V-2, COLOR: NATURAL.
- "BL" = NYLON 6/6, UNFILLED UL94V-2, COLOR: BLACK.
- "BU" = NYLON 6/6, UNFILLED UL94V-2, COLOR: BLUE.
- "RE" = NYLON 6/6, UNFILLED UL94V-2, COLOR: RED.
- "YE" = NYLON 6/6, UNFILLED UL94V-2, COLOR: YELLOW
- "GRE" = NYLON 6/6, UNFILLED UL94V-2, COLOR: GREEN.
- "210" = NYLON 6/6, UNFILLED UL94V-0, COLOR: NATURAL.
- "400" = NYLON 6/6, UNFILLED UL94V-0, COLOR: BLACK.

2) FINISH: NOT APPLICABLE

3) PRODUCT SPECIFICATION: PS-5556-001

4) PACKAGING: BULK PACKED PER PK-5557-002

5) PART MATES WITH MOLEX PLUG #5559, #172762-0*** AND HEADERS #5566, #5569.

6) PART TO BE USED WITH MOLEX FEMALE TERMINAL #5556, #45750.

7) PART IS NOT DESIGNED FOR CURRENT SHARING.

8) CONNECTORS ARE NOT TO BE MATED OR UNMATED WHILE CIRCUITS ARE LIVE.

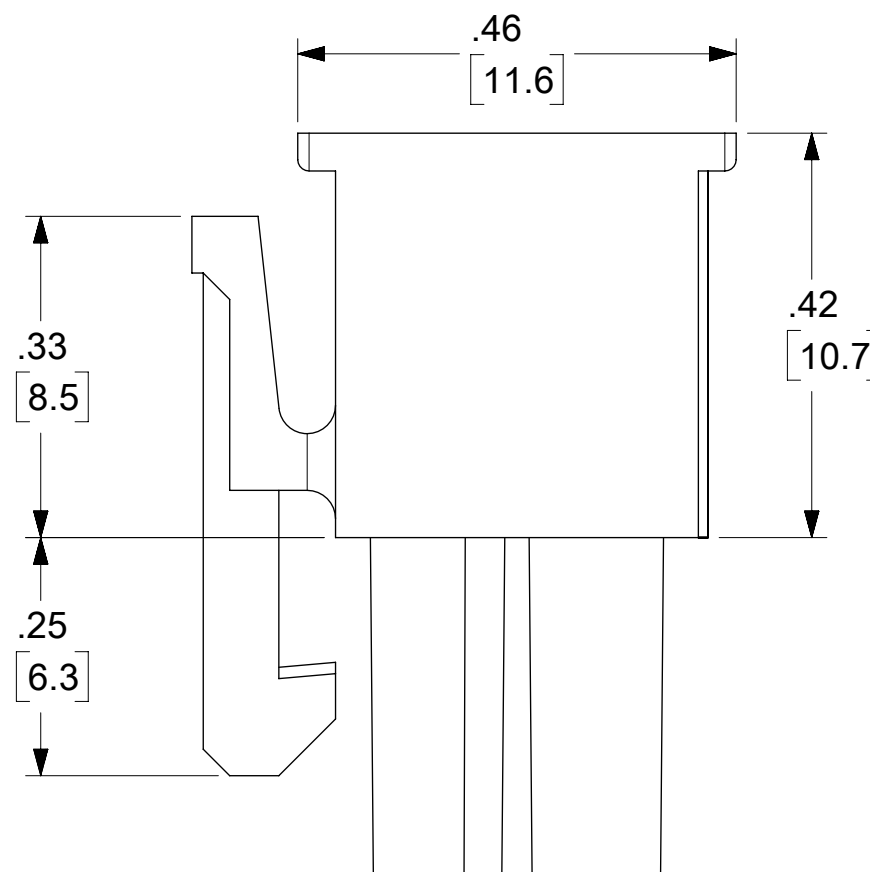
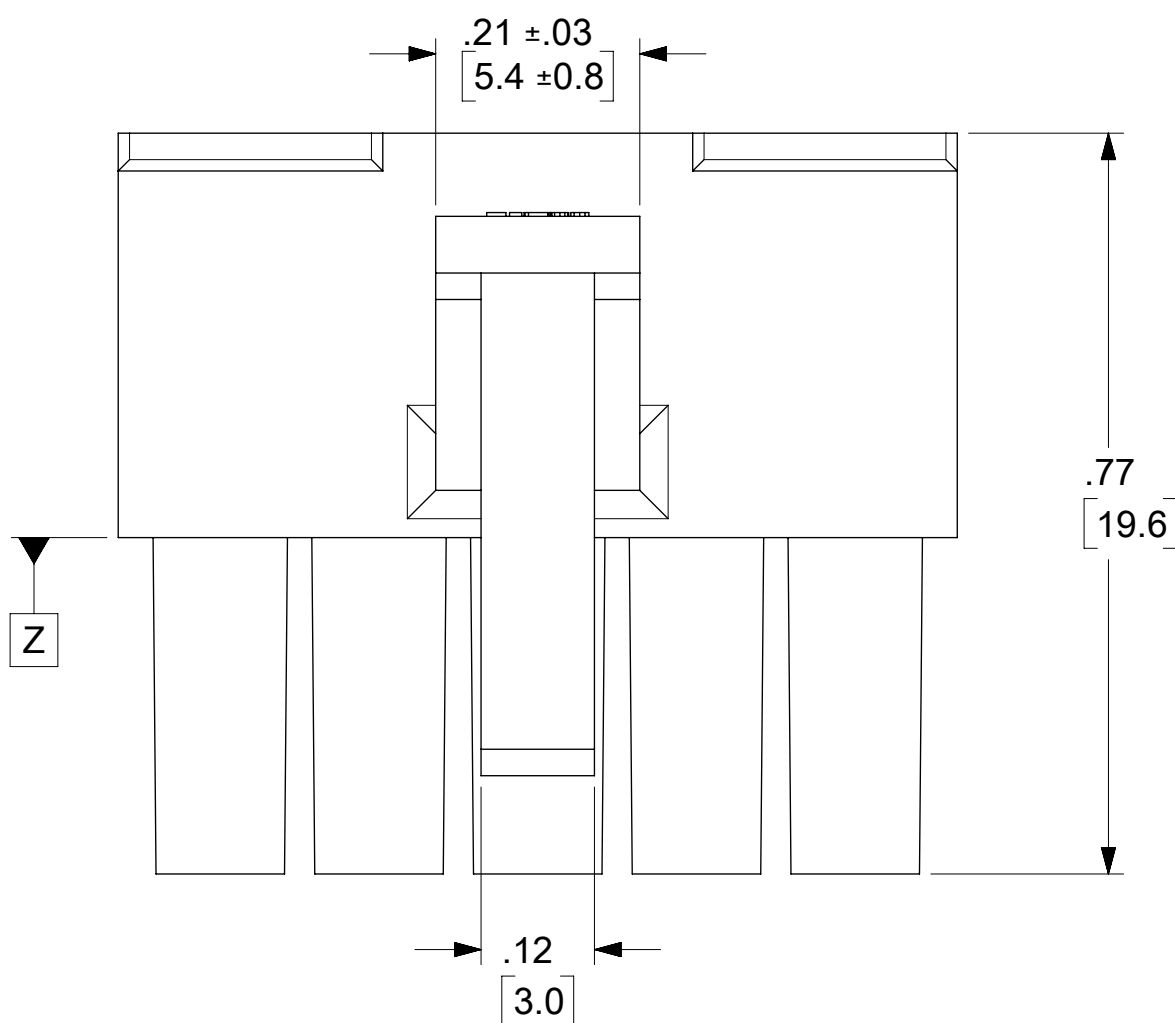
9) WIRES ARE TO BE DRESSED IN SUCH A MANNER TO ALLOW THE TERMINALS TO FLOAT FREELY IN THE POCKET.

10) PART CONFORMS TO CLASS "B" REQUIREMENTS OF COSMETIC SPECIFICATION PS-45499-002 WITH THE EXCEPTION OF DISCOLORATION, FLASH AND SINK MEET CLASS "C" REQUIREMENTS.

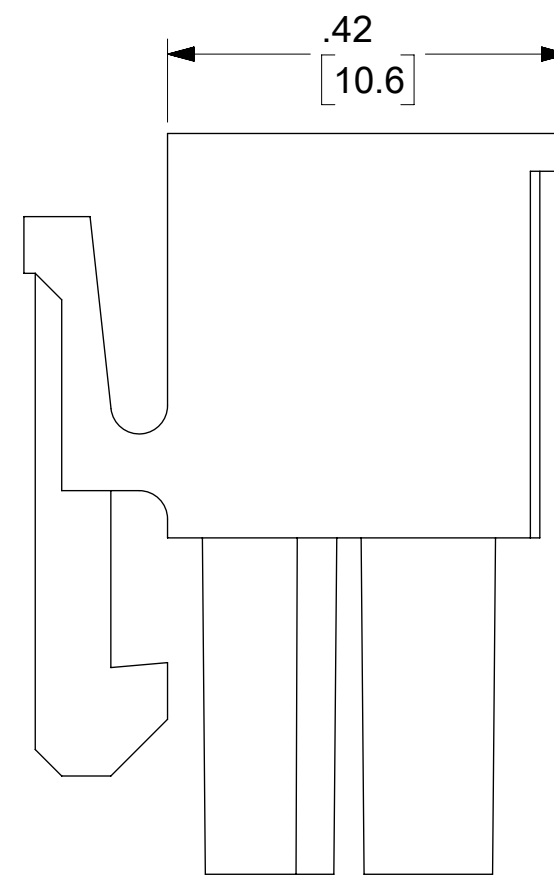
TO BE MEASURED AT SURFACE

TEXT ON PART IS FOR REFERENCE ONLY. TEXT AND TEXT LOCATION MAY VARY DEPENDING ON PART NUMBER AND/OR TOOL.

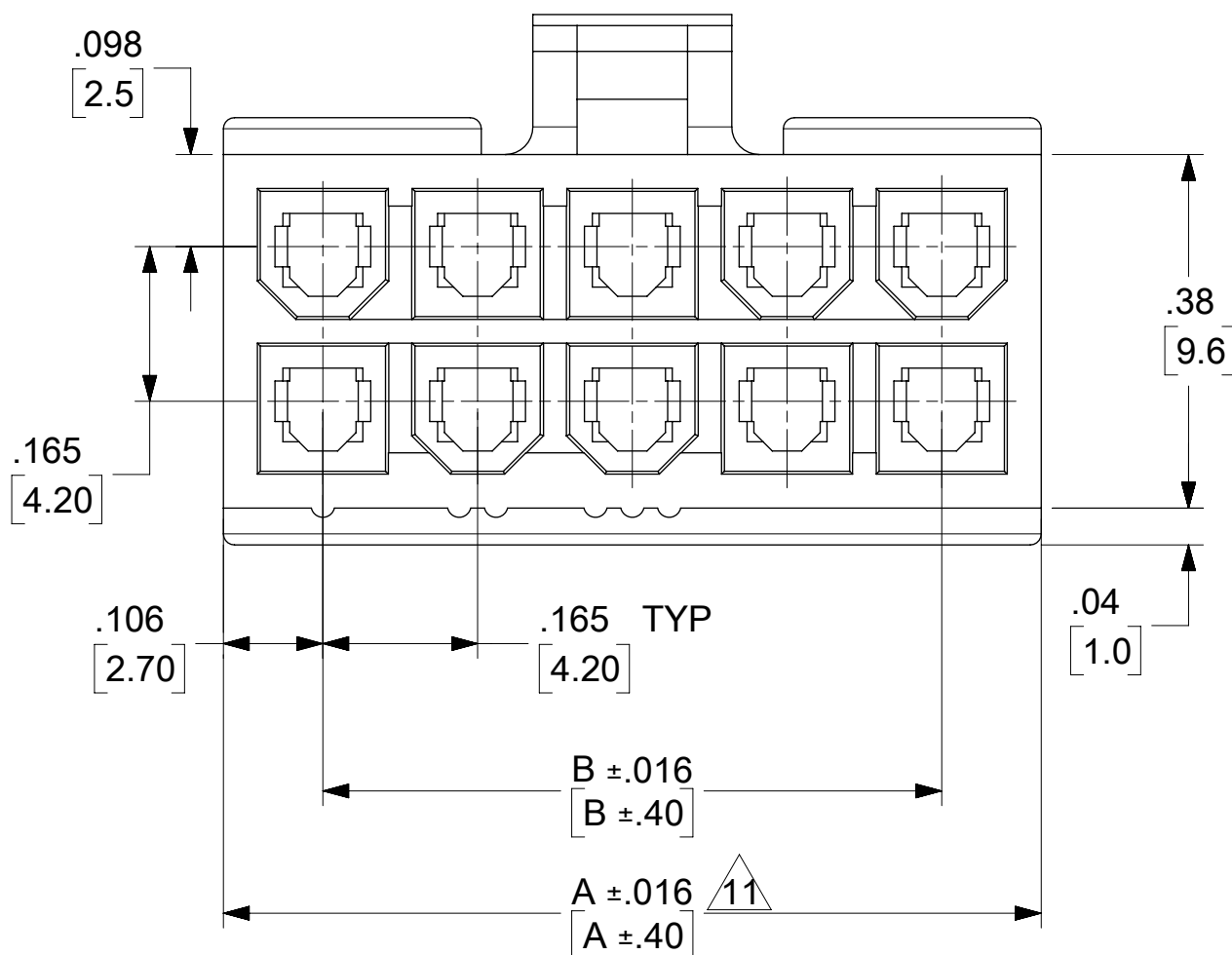
13) BUBBLE IS ACCEPTABLE ON LATCH AREA.



4-24 CKT



2 CKT ONLY



2.031/(51.60)	1.819/(46.20)	24
1.866/(47.40)	1.654/(42.00)	22
1.701/(43.20)	1.488/(37.80)	20
1.535/(39.00)	1.323/(33.60)	18
1.370/(34.80)	1.157/(29.40)	16
1.205/(30.60)	0.992/(25.20)	14
1.039/(26.40)	0.827/(21.00)	12
0.874/(22.20)	0.661/(16.80)	10
0.709/(18.00)	0.496/(12.60)	8
0.543/(13.80)	0.331/(8.40)	6
0.378/(9.60)	0.165/(4.20)	4
0.213/(5.40)	---	2
A	B	NO. OF CKTS.

THIS DRAWING CONTAINS INFORMATION THAT IS PROPRIETARY TO MOLEX ELECTRONIC TECHNOLOGIES, LLC AND SHOULD NOT BE USED WITHOUT WRITTEN PERMISSION

DIMENSION UNITS: IN/MM SCALE: NTS

CURRENT REV DESC: RE-MASTERED USING THE MODEL SERIES 5557**00.

GENERAL TOLERANCES (UNLESS SPECIFIED)

	MM	INCH
4 PLACES	±	±
3 PLACES	±	± 0.01
2 PLACES	± 0.25	± 0.015
1 PLACE	± 0.38	±
0 PLACES	±	±
ANGULAR TOL	± 0.5 °	

EC NO: 778837
 DRWN: NAVEEK19 2024/02/12
 CHK'D: XQZHANG 2024/03/04
 APPR: XQZHANG 2024/03/04
 INITIAL REVISION:
 DRWN: S.MOCHIZUKI 1990/02/22
 APPR: FSMITH 2011/02/21

molex

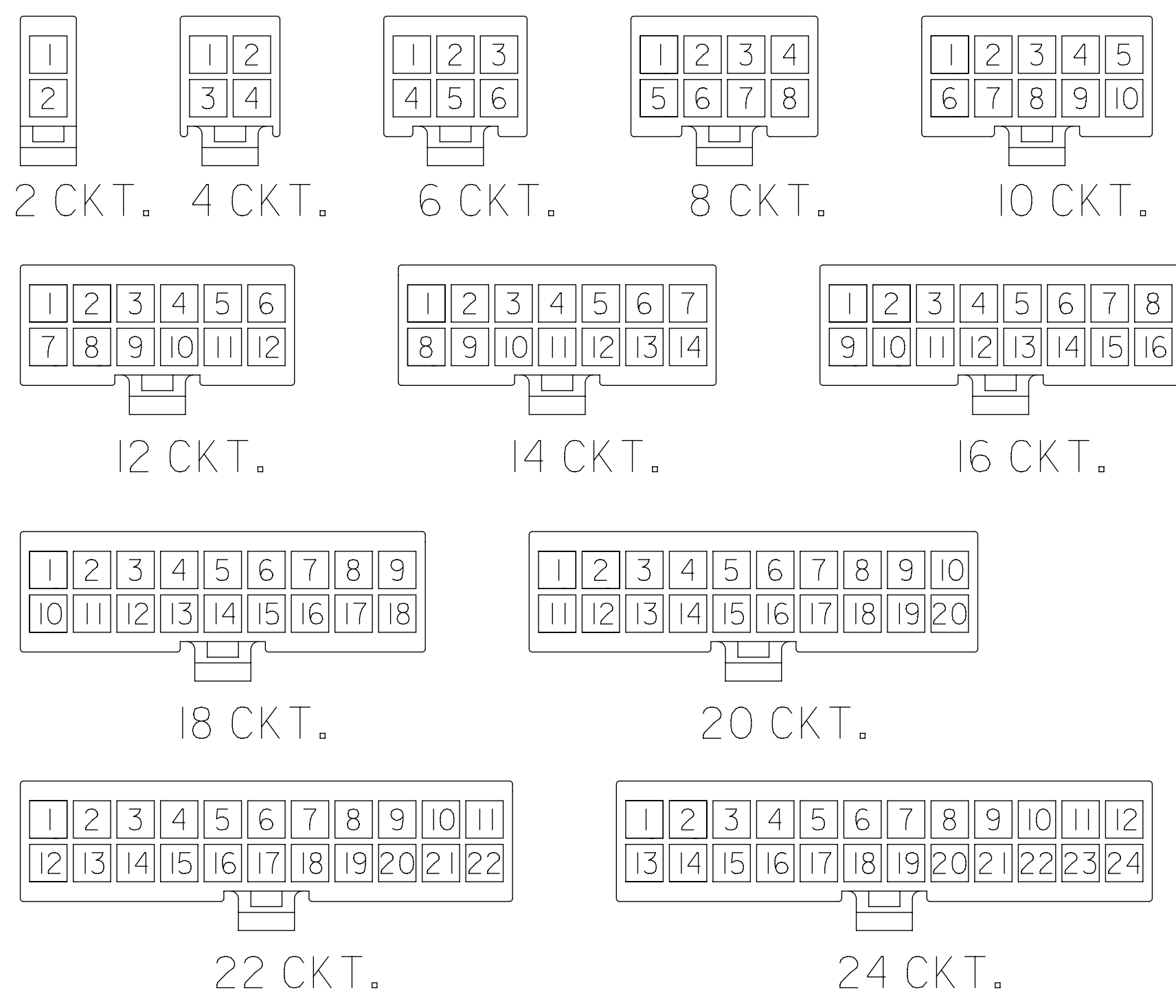
MINIFIT JR
 RECEPTACLE HOUSING DUAL ROW 2-24 CKT

PRODUCT CUSTOMER DRAWING

DOCUMENT NUMBER	DOC TYPE	DOC PART	REVISION
SD-5557-003	PSD	000	K1

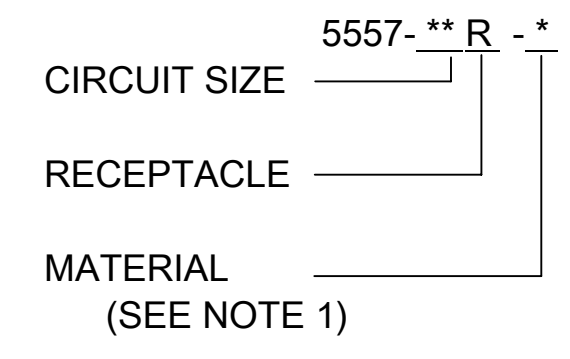
DRAFT WHERE APPLICABLE MUST REMAIN WITHIN DIMENSIONS	THIRD ANGLE PROJECTION	DRAWING	SERIES	MATERIAL NUMBER	CUSTOMER	SHEET NUMBER
		C-SIZE	5557	SEE TABLE	GENERAL MARKET	1 OF 2

DOCUMENT STATUS	P1	RELEASE DATE	2024/03/04	02:00:21							
12	11	10	9	8	7	6	5	4	3	2	1



CIRCUIT SIZE LAYOUT
(NOT TO SCALE)

LEGEND



	V-0 (BLACK)			V-0 (NATURAL)		
	EDP. NO.	ENG. NO.	NO. OF CKTS.	EDP. NO.	ENG. NO.	NO. OF CKTS.
	39-03-9242	5557-24R-400	24	39-01-2245	5557-24R-210	24
	-	-	22	39-01-2225	5557-22R-210	22
	-	-	20	39-01-2205	5557-20R-210	20
	39-03-9182	5557-18R-400	18	39-01-2185	5557-18R-210	18
	39-03-9162	5557-16R-400	16	39-01-2165	5557-16R-210	16
	39-03-9142	5557-14R-400	14	39-01-2145	5557-14R-210	14
	39-03-9122	5557-12R-400	12	39-01-2125	5557-12R-210	12
	39-03-9102	5557-10R-400	10	39-01-2105	5557-10R-210	10
	39-03-9082	5557-08R-400	8	39-01-2085	5557-08R-210	8
	39-03-9062	5557-06R-400	6	39-01-2065	5557-06R-210	6
	39-03-9042	5557-04R-400	4	39-01-2045	5557-04R-210	4
	39-03-9022	5557-02R-400	2	39-01-2025	5557-02R-210	2
	EDP. NO.	ENG. NO.	NO. OF CKTS.	EDP. NO.	ENG. NO.	NO. OF CKTS.

* = CONSULT FACTORY FOR AVAILABILITY.

	V-2 (BLUE)			V-2 (GREEN)			V-2 (YELLOW)			V-2 (RED)			V-2 (BLACK)			V-2 (NATURAL)		
	EDP. NO.	ENG. NO.	NO. OF CKTS.	EDP. NO.	ENG. NO.	NO. OF CKTS.	EDP. NO.	ENG. NO.	NO. OF CKTS.	EDP. NO.	ENG. NO.	NO. OF CKTS.	EDP. NO.	ENG. NO.	NO. OF CKTS.	EDP. NO.	ENG. NO.	NO. OF CKTS.
			24			24			24	-	-	24	-	-	24	39-01-2240	5557-24R	24
			22			22			22	-	-	22	39-01-3225	5557-22R-BL	22	39-01-2220	5557-22R	22
			20			20			20	-	-	20	-	-	20	39-01-2200	5557-20R	20
			18			18			18	-	-	18	-	-	18	39-01-2180	5557-18R	18
			16			16			16	-	-	16	-	-	16	39-01-2160	5557-16R	16
			14			14			14	-	-	14	-	-	14	39-01-2140	5557-14R	14
			12			12			12	-	-	12	39-01-3125	5557-12R-BL	12	39-01-2120	5557-12R	12
*	39-02-7108	5557-10R-BU	10			10			10	-	-	10	39-01-3105	5557-10R-BL	10	39-01-2100	5557-10R	10
			8			8			8	-	-	8	39-01-3085	5557-08R-BL	8	39-01-2080	5557-08R	8
			6			6			6	39-02-8060	5557-06R-RE	6	39-01-3065	5557-06R-BL	6	39-01-2060	5557-06R	6
			4			4			4	* 39-02-8040	5557-04R-RE	4	39-01-3045	5557-04R-BL	4	39-01-2040	5557-04R	4
			2			2			2	-	-	2	39-01-3025	5557-02R-BL	2	39-01-2020	5557-02R	2
	EDP. NO.	ENG. NO.	NO. OF CKTS.	EDP. NO.	ENG. NO.	NO. OF CKTS.	EDP. NO.	ENG. NO.	NO. OF CKTS.	EDP. NO.	ENG. NO.	NO. OF CKTS.	EDP. NO.	ENG. NO.	NO. OF CKTS.	EDP. NO.	ENG. NO.	NO. OF CKTS.

THIS DRAWING CONTAINS INFORMATION THAT IS PROPRIETARY TO MOLEX ELECTRONIC TECHNOLOGIES, LLC AND SHOULD NOT BE USED WITHOUT WRITTEN PERMISSION

DIMENSION UNITS	SCALE	CURRENT REV DESC: RE-MASTERED USING THE MODEL SERIES 5557**00.
IN/MM	NTS	molex
GENERAL TOLERANCES (UNLESS SPECIFIED)		
4 PLACES	±	MINIFIT JR RECEPTACLE HOUSING DUAL ROW 2-24 CKT PRODUCT CUSTOMER DRAWING DOCUMENT NUMBER: SD-5557-003 DOC TYPE: PSD DOC PART: 000 REVISION: K1 MATERIAL NUMBER: SEE TABLE CUSTOMER: GENERAL MARKET SHEET NUMBER: 2 OF 2
3 PLACES	± 0.01	
2 PLACES	± 0.25 ± 0.015	
1 PLACE	± 0.38 ±	
0 PLACES	±	
ANGULAR TOL	± 0.5 °	
DRAFT WHERE APPLICABLE MUST REMAIN WITHIN DIMENSIONS		EC NO: 778837 DRWN: NAVEEK19 CHK'D: XQZHANG APPR: XQZHANG 2024/02/12 2024/03/04 2024/03/04 INITIAL REVISION: DRWN: S.MOCHIZUKI APPR: FSMITH 1990/02/22 2011/02/21 THIRD ANGLE PROJECTION DRAWING SERIES: C-SIZE 5557