



产品编号 : [39013042](#)

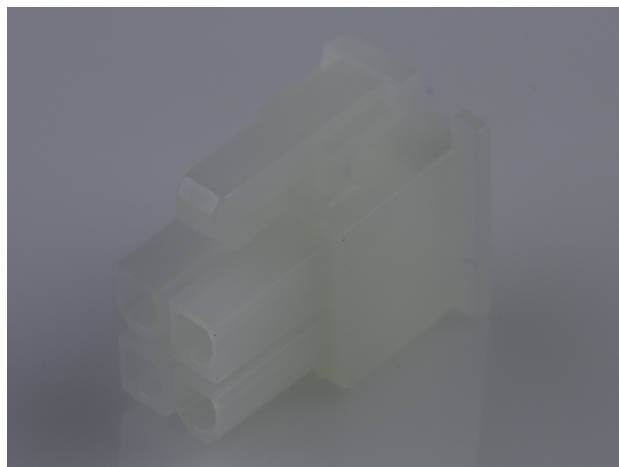
Product Description : Mini-Fit Jr.  
Receptacle Housing, Dual Row, 4 Circuits,  
UL 94V-2, Natural

系列号 : 5557

状态 : Active

Product Category : Connector Housings

工程编号 : 5557-04R1



## 文件和资源

### 图纸

[图纸 039013042\\_sd.pdf](#)

[包装设计图 PK-5557-002-000.pdf](#)

### 3D 模型和设计文件

[3D模型 039013042\\_stp.zip](#)

### 规格

[应用规格 55560001-AS-000.pdf](#)

[应用规格 AS-5557-001-001.pdf](#)

[产品规格 PS-45750-001-001.pdf](#)

[产品规格 55560002-PS-CH-000.pdf](#)

[产品规格 55560002-PS-ES-000.pdf](#)

[产品规格 55560002-PS-SK-000.pdf](#)

[产品规格 PS-5556-001-001.pdf](#)

[产品规格 PS-5556-002-001.pdf](#)

[测试摘要 55560010-TS-000.pdf](#)

[测试摘要 TS-5556-002-001.pdf](#)

## 产物环境合规

### 合规

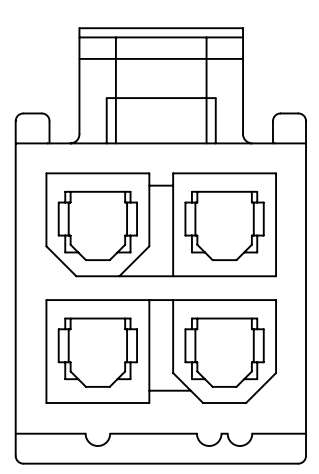
GADSL/IMDS	Not Relevant
China RoHS	
EU ELV	Compliant per 2000/53/EC
Low-Halogen Status	Low-Halogen per IEC 61249-2-21

PART NUMBER	ENG. NUMBER	MATERIAL (SEE NOTE 1)
39-01-3028	5557-02R1-210	94V-0
39-01-3048	5557-04R1-210	94V-0
39-01-3022	5557-02R1	94V-2
39-01-3042	5557-04R1	94V-2
39-01-6026	5557-02R1-BL	94V-2, BLACK
NO E.D.P.	5557-04R1-BL	94V-2, BLACK

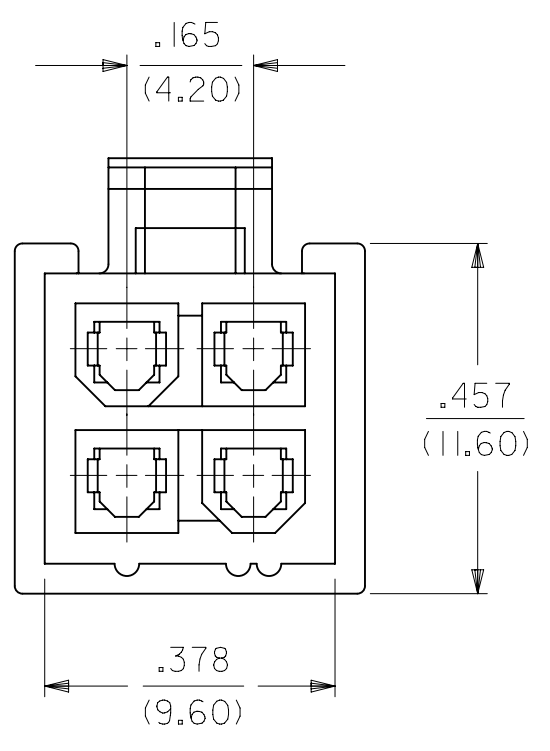
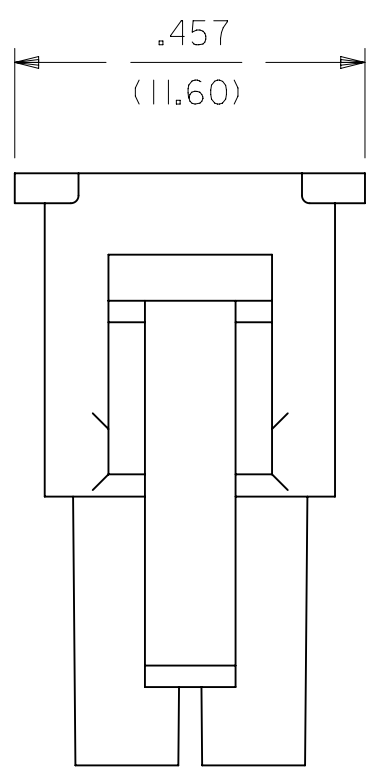
**LEGEND:**

5557-\*\*\* R1-\*\*\*\*

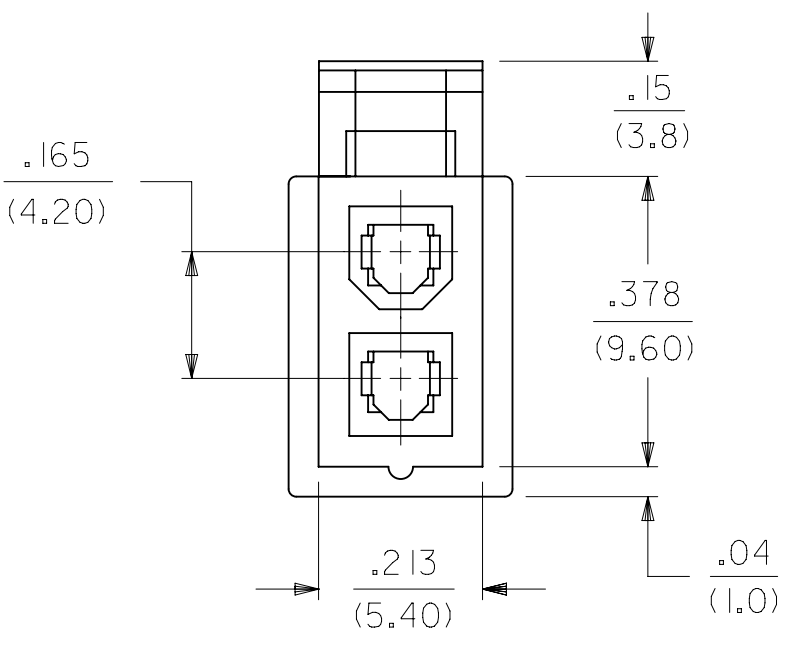
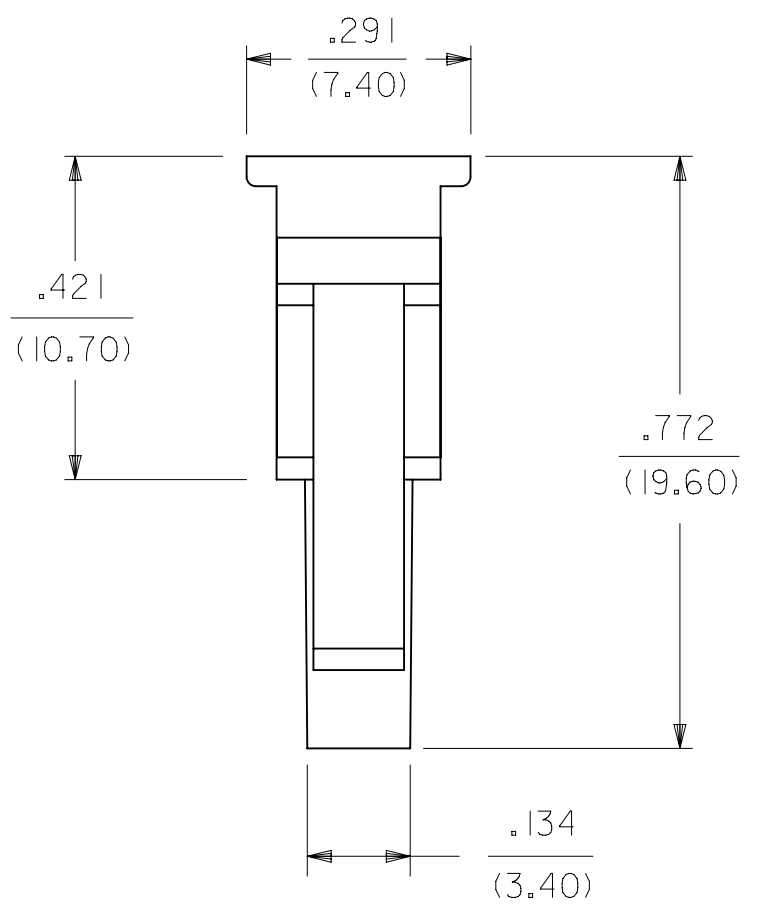
BASE NUMBER  
 CKT. SIZE  
 RECEPTACLE  
 (WITH SIDE PULL TABS)  
 MATERIAL OPTION:  
 (SEE NOTE 1)



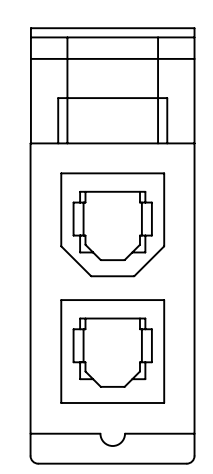
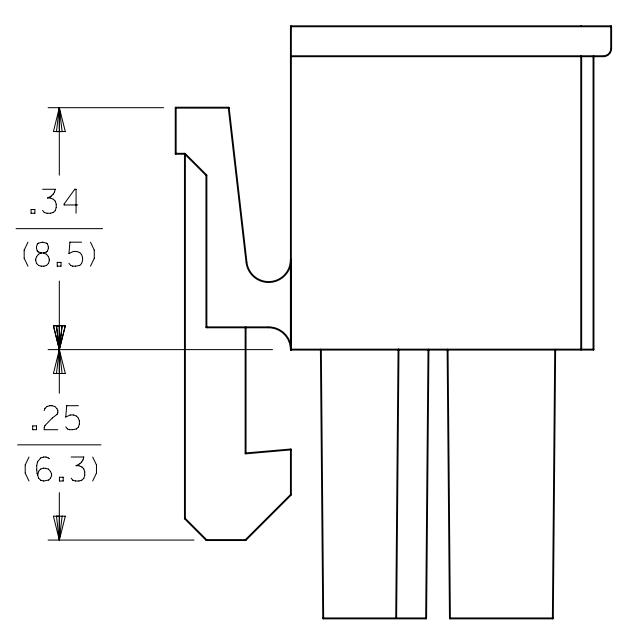
5557-04R-\*\*\*  
 (WITHOUT SIDE PULL TABS)  
 (SHOWN FOR REFERENCE ONLY)



5557-04R1-\*\*\*



5557-02R1-\*\*\*



5557-02R-\*\*\*  
 (WITHOUT SIDE PULL TABS)  
 (SHOWN FOR REFERENCE ONLY)

**NOTES:**

- MATERIAL:  
 "BLANK" = NYLON 6/6, U.L. 94V-2. COLOR: NATURAL.  
 "210" = NYLON 6/6, U.L. 94V-0. COLOR: NATURAL.  
 "BL" = NYLON 6/6, U.L. 94V-2. COLOR: BLACK.
- FINISH: NOT APPLICABLE.
- PRODUCT SPECIFICATION: PS-5556-001.
- PARTS TO BE PACKAGED PER PK-5557-002
- PART MATES WITH MOLEX PLUG #5559 AND 172762-0\*\*\*.
- PART IS FOR USE WITH MOLEX FEMALE TERMINAL #5556, #45750.
- PART IS NOT DESIGNED FOR CURRENT SHARING.
- CONNECTORS ARE NOT TO BE MATED OR UNMATED WHILE CIRCUITS ARE LIVE.
- WIRES ARE TO BE DRESSED IN SUCH A MANNER TO ALLOW THE TERMINALS TO FLOAT FREELY IN THE POCKET.
- PART CONFORMS TO CLASS "B" REQUIREMENTS OF COSMETIC SPECIFICATION PS-45499-002.
- BUBBLE IS ACCEPTABLE ON LATCH AREA.

THIS DRAWING CONTAINS INFORMATION THAT IS PROPRIETARY TO MOLEX ELECTRONIC TECHNOLOGIES, LLC AND SHOULD NOT BE USED WITHOUT WRITTEN PERMISSION

DIMENSION UNITS		SCALE		CURRENT REV DESC:	
IN/MM		NTS			
GENERAL TOLERANCES (UNLESS SPECIFIED)				EC NO: 768511	
4 PLACES ±		±		DRWN: JERRYW8 2023/11/02	
3 PLACES ±		± 0.015		CHK'D: XQZHANG 2023/11/15	
2 PLACES ±		± 0.38 ± 0.015		APPR: XQZHANG 2023/11/15	
1 PLACE ±		±		INITIAL REVISION:	
0 PLACES ±		±		DRWN: GEP 1990/08/08	
ANGULAR TOL ±		0.5 °		APPR: FSMITH 2012/05/04	
DRAFT WHERE APPLICABLE MUST REMAIN WITHIN DIMENSIONS				THIRD ANGLE PROJECTION	
DRAWING		SERIES		MATERIAL NUMBER	
C-SIZE		5557		SEE CHART	
CUSTOMER		SHEET NUMBER		DOC TYPE   DOC PART   REVISION	
GENERAL MARKET		1 OF 1		PSD 000 A2	



2 & 4 CKT RECEPTACLE,  
 MINI-FIT JR. SERIES WITH SIDE TABS

PRODUCT CUSTOMER DRAWING

55570001-SD

THIS DRAWING REPLACES DRAWING SD-5557-04R1-\*\*\*

REACH SVHC	Not Contained per D(2023)3788-DC (14 Jun 2023)
EU RoHS	Compliant per EU 2015/863

多部分产品合规性声明

- Eu RoHS
- REACH SVHC
- Low-Halogen

多部分行业合规性文件

- IPC 1752A Class C
- IPC 1752A Class D
- Molex Product Compliance Declaration
- IEC-62474
- chemSHERPA (xml)

欧盟 RoHS 合格证书

**产品详情**

**常规**

状态	活动
类别	Connector Housings
系列	5557
说明	Mini-Fit Jr. Receptacle Housing, Dual Row, 4 Circuits, UL 94V-2, Natural
应用	Power, Wire-to-Board, Wire-to- Wire
个评论	Current = 13A max. per circuit when header is mated to a receptacle loaded with 45750 series terminals crimped to 16 AWG wire. See Molex product specification PS-45750-001 for additional current derating information.
产品系列	Mini-Fit Family Power Connectors
产品名称	Mini-Fit Jr.
UPC	800754203630

**机构**

CSA	LR19980
UL	E29179

## 物理

断开	否
电路数 (最多)	4
颜色-树脂	Natural
阻燃性	94V-2
性别	Receptacle
符合灼热丝规范	否
插接极性	无
锁定插接部位	是
材料 - 树脂	Nylon
净重	1.120/g
行数	2
包装形式	Bag
面板安装式	否
间距 - 插配接口	4.20mm
间距 - 终端界面	4.20mm
有极性的插配件	是
可堆叠的	否
运行温度范围	-40° to +105° C

## 进程

无铅	不适用
----	-----

---

## 可配插/可连接使用的产品

### 可配插部件

描述	产品编号
Mini-Fit Jr. Plug Housing, Dual Row, 4 Circuits, UL 94V-2, with Panel Mounting Ears, Natural	<u>0039012041</u>
Mini-Fit Jr. Plug Housing, Dual Row, 4 Circuits, UL 94V-2, without Panel Mounting Ears, Natural	<u>0039013043</u>
Mini-Fit BMI Vertical Dual Row Headers	<u>42440</u>
Mini-Fit Jr. Vertical Headers	<u>5566</u>

Mini-Fit Jr. Right-Angle Headers	<u>5569</u>
----------------------------------	-------------

可连接使用部件

描述	产品编号
Pre-Crimped Lead Mini-Fit Female-to-Mini-Fit Female, Tin (Sn) Plating, 150.00mm Length, 18 AWG, Red	<u><a href="/content/molex/molex-dot-com/cn/zh/products/product-page.html/797580001.html">/content/molex/molex-dot-com/cn/zh/products/product-page.html/797580001.html</a></u>
Pre-Crimped Lead Mini-Fit Female-to-Mini-Fit Female, Tin (Sn) Plating, 300.00mm Length, 18 AWG, Red	<u><a href="/content/molex/molex-dot-com/cn/zh/products/product-page.html/797580009.html">/content/molex/molex-dot-com/cn/zh/products/product-page.html/797580009.html</a></u>
Mini-Fit Female Crimp Terminals	<u>5556</u>
Mini-Fit Plus Female Crimp Terminals	<u>45750</u>
Mini-Fit Jr. Hermaphroditic Backshells	<u>204723</u>