



产品编号 : 39013203

系列号 : 5559

Product Category : Connector Housings

Product Description : Mini-Fit Jr. Plug Housing, Dual Row, 20 Circuits, UL 94V-2, without Panel Mounting Ears, Natural

状态 : Active

工程编号 : 5559-20P1

文件和资源

图纸

图纸 039013203_sd.pdf

3D 模型和设计文件

3D模型 039013203_stp.zip

规格

应用规格 AS-5557-001-001.pdf

应用规格 55560001-AS-000.pdf

包装规格 PK-5559-002-001.pdf

产品规格 PS-45750-001-001.pdf


产品规格 PS-5556-001-001.pdf

测试摘要 55560010-TS-000.pdf

测试摘要 TS-5556-002-001.pdf

产物环境合规

合规

GADSL/IMDS	Not Relevant
China RoHS	
EU ELV	Not Relevant
Low-Halogen Status	Low-Halogen per IEC 61249-2-21
REACH SVHC	Not Contained per D(2023)8585-DC (23 Jan 2024)
EU RoHS	Compliant per EU 2015/863

多部分产品合规性声明

- Eu RoHS
- REACH SVHC
- Low-Halogen
- IPC 1752A Class C

- IPC 1752A Class D
- Molex Product Compliance Declaration
- IEC-62474
- chemSHERPA (xml)

欧盟 RoHS 合格证书

产品详情

常规

状态	活动
类别	Connector Housings
系列	5559
说明	Mini-Fit Jr. Plug Housing, Dual Row, 20 Circuits, UL 94V-2, without Panel Mounting Ears, Natural
应用	Power, Wire-to-Board, Wire-to-Wire
个评论	Current = 13A max. per circuit when header is mated to a receptacle loaded with 45750 series terminals crimped to 16 AWG wire. See Molex product specification PS-45750-001 for additional current derating information.
产品系列	Mini-Fit Family Power Connectors
产品名称	Mini-Fit Jr.
UPC	884982006201

机构

CSA	LR19980
UL	E29179

物理

电路数（最多）	20
颜色-树脂	Natural
阻燃性	94V-2
性别	Plug
符合灼热丝规范	否
插接极性	无

锁定插接部位	是
材料 - 树脂	Nylon
净重	5.320/g
行数	2
包装形式	Bag
面板安装式	否
间距 - 插配接口	4.20mm
间距 - 终端界面	4.20mm
有极性的插配件	是
可堆叠的	否
运行温度范围	-40° to +105° C

进程

无铅	不适用
----	-----

可配插/可连接使用的产品

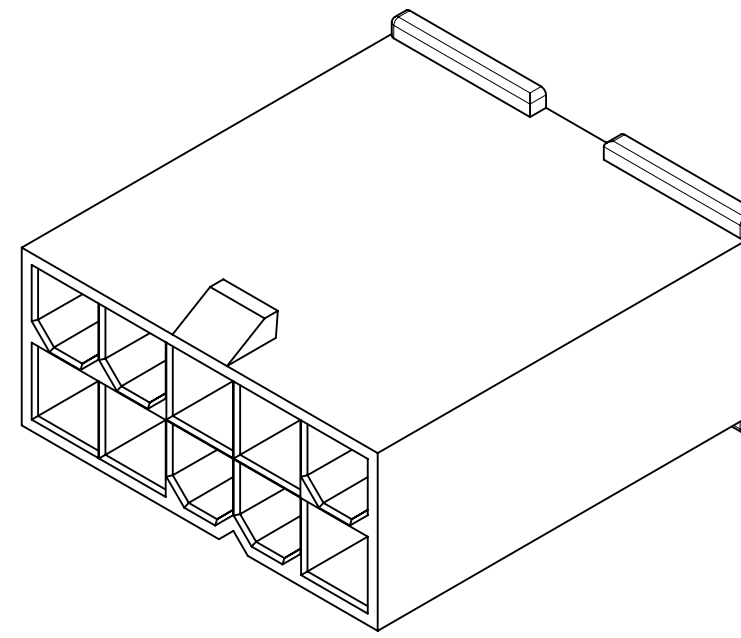
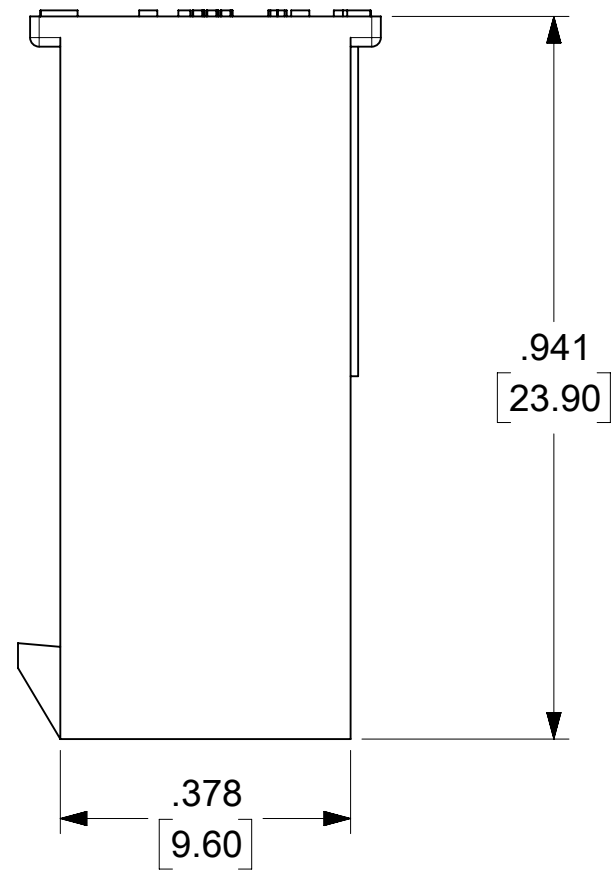
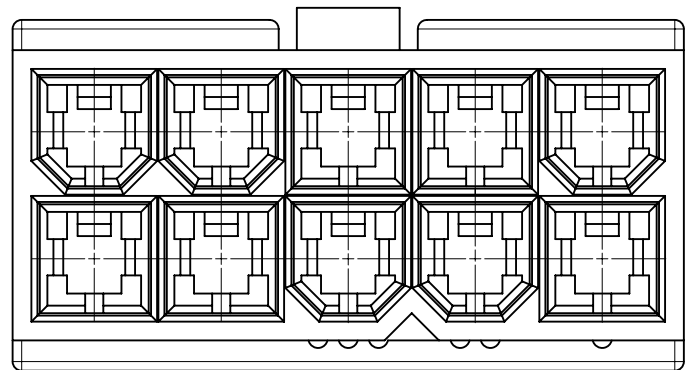
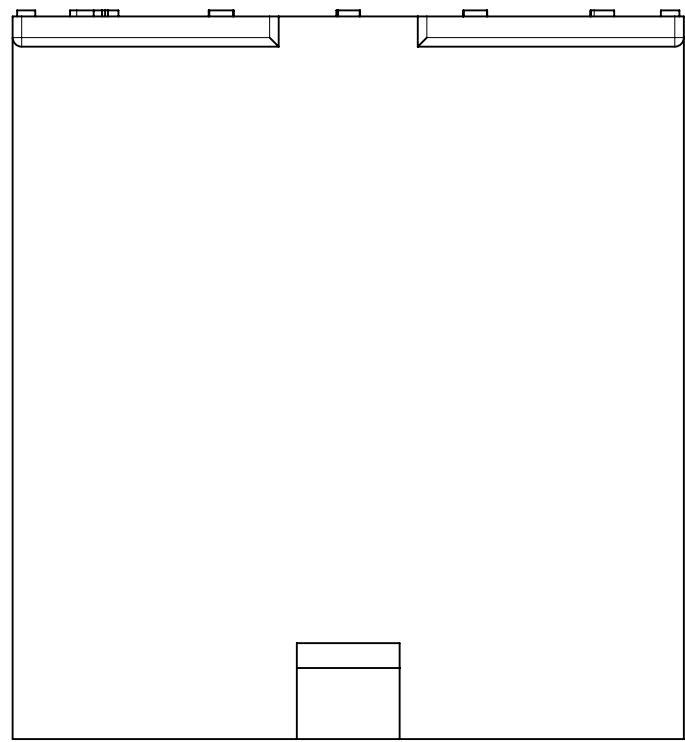
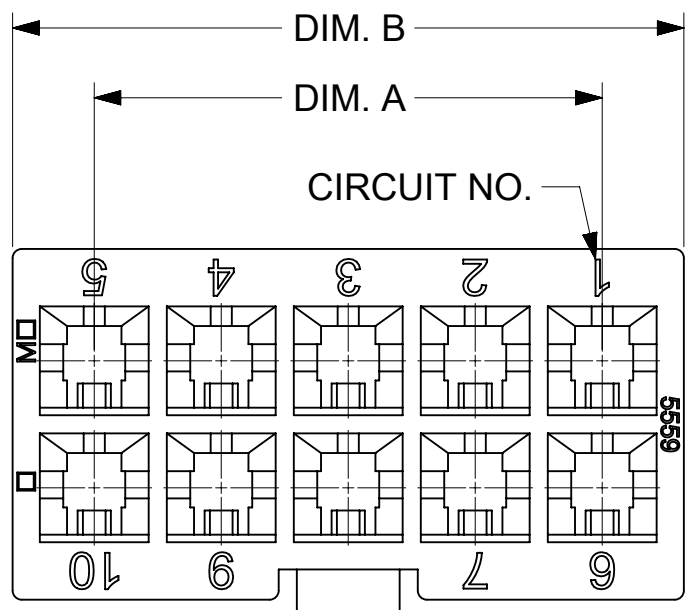
可配插部件

描述	产品编号
Mini-Fit Jr. Receptacle Housing, Dual Row, 18 Circuits, UL 94V-2, Natural	<u>39012180</u>

可连接使用部件

描述	产品编号
Pre-Crimped Lead Mini-Fit Male-to-Mini-Fit Male, Tin (Sn) Plating, 150.00mm Length, 18 AWG, Red	<u>/content/molex/molex-dot-com/cn/zh/products/product-page.html/797580005.html</u>
Pre-Crimped Lead Mini-Fit Male-to-Mini-Fit Male, Tin (Sn) Plating, 300.00mm Length, 18 AWG, Red	<u>/content/molex/molex-dot-com/cn/zh/products/product-page.html/797580013.html</u>
Mini-Fit Male Crimp Terminals	<u>5558</u>
Mini-Fit Plus Male Crimp Terminals	<u>46012</u>
Mini-Fit Jr. Crimp Grounding Terminals	<u>30490</u>

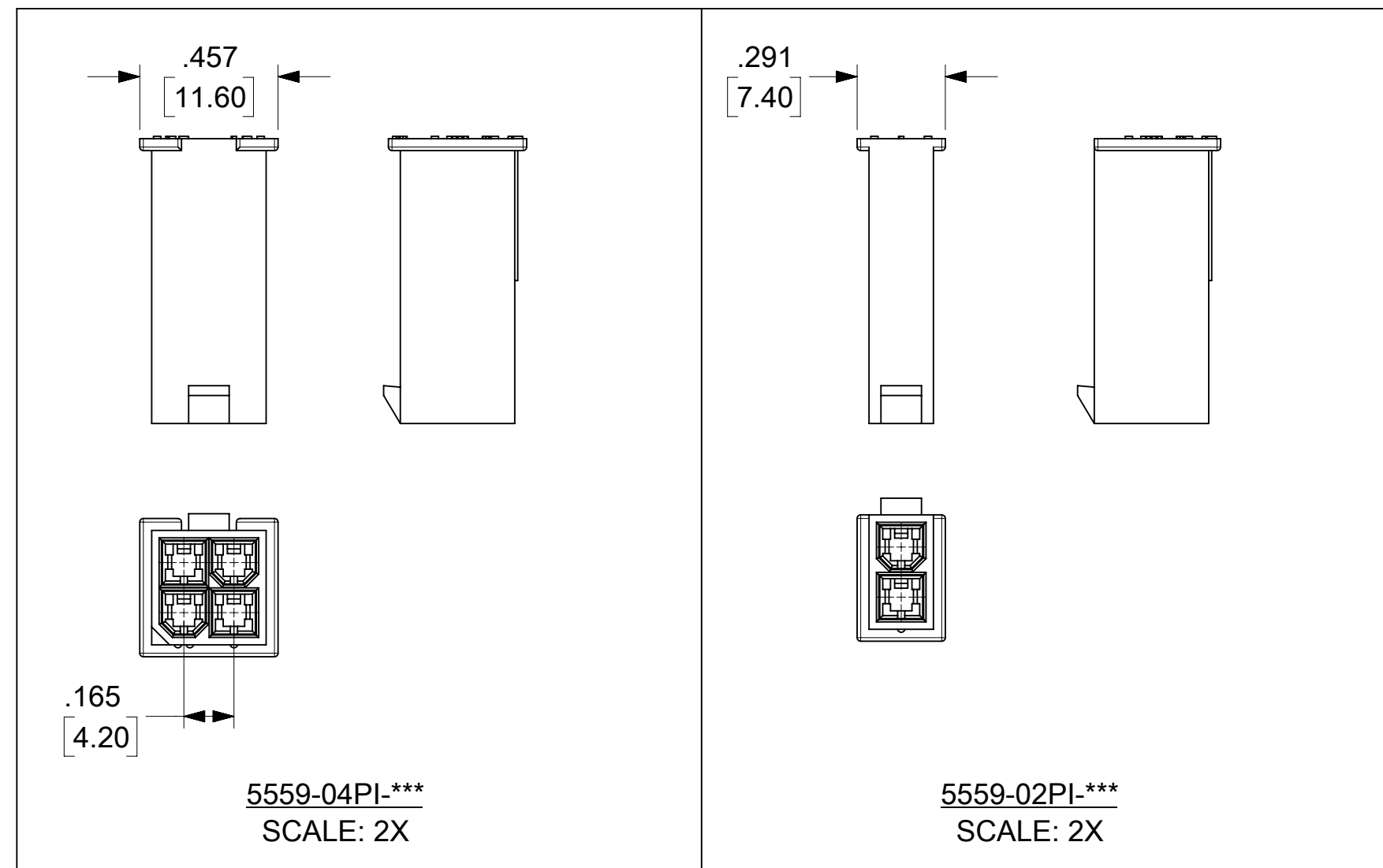
This document was generated on Jul 01, 2024



CKT. SIZE	DIM. A	DIM. B
6	.331	.543
	[8.40]	[13.80]
8	.496	.709
	[12.60]	[18.00]
10	.661	.874
	[16.80]	[22.20]
12	.827	1.039
	[21.00]	[26.40]
14	.992	1.205
	[25.20]	[30.60]
16	1.157	1.370
	[29.40]	[34.80]
18	1.323	1.535
	[33.60]	[39.00]
20	1.488	1.701
	[37.80]	[43.20]
22	1.654	1.866
	[42.00]	[47.40]
24	1.819	2.031
	[46.20]	[51.60]

NOTES:

- MATERIAL: BLANK=NYLON 6/6, UL 94V-2, COLOR: NATURAL
BL=NYLON 6/6, UL 94V-2, COLOR: BLACK
210=NYLON 6/6, UL 94V-0, COLOR: NATURAL
400=NYLON 6/6, UL 94V-0, COLOR: BLACK
- FINISH: N/A.
- PRODUCT SPECIFICATION: PS-5556-001.
- PACKAGING SPECIFICATION: PK-5559-002.
- THIS PART MATES WITH RECEPTACLE #5557, 172708-0***, 172708-1***.
- THIS PART IS FOR USE WITH MOLEX MALE TERMINAL #5558, #46012.
- PART IS NOT DESIGNED FOR CURRENT SHARINGN.
- CONNECTORS ARE NOT TO BE MATED OR UNMATED WHILE CIRCUITS ARE LIVE.
- WIRES ARE TO BE DRESSED IN SUCH A MANNER TO ALLOW THE TERMINALS TO FLOAT FREELY IN THE POCKET.
- PART CONFORMS TO CLASS "B" REQUIREMENTS OF COSMETIC SPECIFICATION PS-45499-002 WITH THE EXCEPTION OF DISCOLORATION. FLASH AND SINK MEET CLASS "C" RQUIREMENTS.



THIS DRAWING CONTAINS INFORMATION THAT IS PROPRIETARY TO MOLEX ELECTRONIC TECHNOLOGIES, LLC AND SHOULD NOT BE USED WITHOUT WRITTEN PERMISSION									
DIMENSION UNITS		SCALE		CURRENT REV DESC: REMASTERED USING MODELS					
IN/MM		NTS							
GENERAL TOLERANCES (UNLESS SPECIFIED)				EC NO: 782462		2024/03/05		MINI FIT JR SERIES PLUG W/O MTG. EARS	
				DRWN: SASWAP		2024/04/18			
				CHK'D: XQZHANG		2024/04/18		PRODUCT CUSTOMER DRAWING	
				APPR: XQZHANG		2024/04/18			
				INITIAL REVISION:		DOCUMENT NUMBER		55590001-SD	
				DRWN: RJF		1989/09/22			
				APPR: ROS		1989/09/22		DOC TYPE: PSD DOC PART: 000 REVISION: A2	
				ANGULAR TOL ± 0.5 °					
DRAFT WHERE APPLICABLE MUST REMAIN WITHIN DIMENSIONS				THIRD ANGLE PROJECTION		DRAWING		SHEET NUMBER	
						C-SIZE		5559	
DOCUMENT STATUS				MATERIAL NUMBER		CUSTOMER		SHEET NUMBER	
P1				SEE TABLE		GENERAL MARKET		1 OF 2	
RELEASE DATE									
2024/04/18 04:37:55									

THIS DRAWING REPLACES DRAWING SD-5559-NP1*

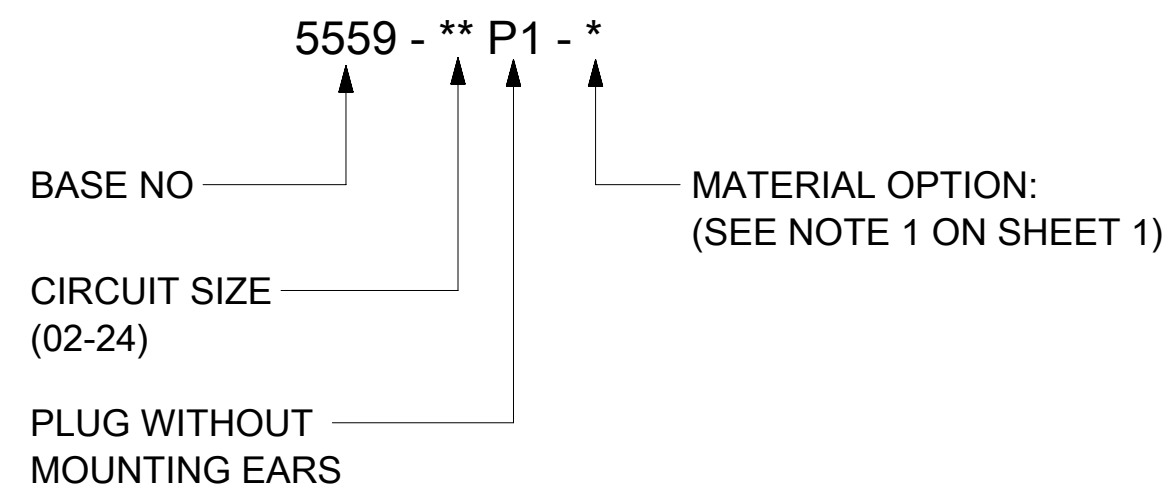
PART NUMBER	ENG. NUMBER	CIRCUIT SIZE	MATERIAL
39-01-3023	5559-02P1	2	94V-2
39-01-3043	5559-04P1	4	94V-2
39-01-3063	5559-06P1	6	94V-2
39-01-3083	5559-08P1	8	94V-2
39-01-3103	5559-10P1	10	94V-2
39-01-3123	5559-12P1	12	94V-2
39-01-3143	5559-14P1	14	94V-2
39-01-3163	5559-16P1	16	94V-2
39-01-3183	5559-18P1	18	94V-2
39-01-3203	5559-20P1	20	94V-2
39-01-3223	5559-22P1	22	94V-2
39-01-3243	5559-24P1	24	94V-2

PART NUMBER	ENG. NUMBER	CIRCUIT SIZE	MATERIAL
39-01-3029	5559-02P 1-210	2	94V-0
39-01-3049	5559-04P 1-210	4	94V-0
39-01-3069	5559-06P 1-210	6	94V-0
39-01-3089	5559-08P 1-210	8	94V-0
39-01-3109	5559-10P 1-210	10	94V-0
39-01-3129	5559-12P 1-210	12	94V-0
39-01-3149	5559-14P 1-210	14	94V-0
39-01-3169	5559-16P 1-210	16	94V-0
39-01-3189	5559-18P 1-210	18	94V-0
39-01-3209	5559-20P 1-210	20	94V-0
39-01-3229	5559-22P 1-210	22	94V-0
39-01-3249	5559-24P 1-210	24	94V-0

PART NUMBER	ENG. NUMBER	CIRCUIT SIZE	MATERIAL
46999-0275	5559-02P 1-400	2	94V-0/BLACK
46999-0276	5559-04P 1-400	4	94V-0/BLACK
46999-0277	5559-06P 1-400	6	94V-0/BLACK
46999-0278	5559-08P 1-400	8	94V-0/BLACK
46999-0279	5559-10P 1-400	10	94V-0/BLACK
46999-0280	5559-12P 1-400	12	94V-0/BLACK
46999-0281	5559-14P 1-400	14	94V-0/BLACK
46999-0282	5559-16P 1-400	16	94V-0/BLACK
46999-0283	5559-18P 1-400	18	94V-0/BLACK
46999-0284	5559-20P 1-400	20	94V-0/BLACK
46999-0285	5559-22P 1-400	22	94V-0/BLACK
46999-0286	5559-24P 1-400	24	94V-0/BLACK

PART NUMBER	ENG. NUMBER	CIRCUIT SIZE	MATERIAL
39-01-3026	5559-02P1-BL	2	94V-2 / BLACK
39-01-3046	5559-04P1-BL	4	94V-2 / BLACK
39-01-3066	5559-06P1-BL	6	94V-2 / BLACK
39-01-3086	5559-08P1-BL	8	94V-2 / BLACK
39-01-3106	5559-10P1-BL	10	94V-2 / BLACK
39-01-3126	5559-12P1-BL	12	94V-2 / BLACK
39-01-3146	5559-14P1-BL	14	94V-2 / BLACK
39-01-3166	5559-16P1-BL	16	94V-2 / BLACK

LEGEND



THIS DRAWING CONTAINS INFORMATION THAT IS PROPRIETARY TO MOLEX ELECTRONIC TECHNOLOGIES, LLC AND SHOULD NOT BE USED WITHOUT WRITTEN PERMISSION									
DIMENSION UNITS IN/MM		SCALE NTS		CURRENT REV DESC: REMASTERED USING MODELS				molex	
GENERAL TOLERANCES (UNLESS SPECIFIED)				EC NO: 782462					
		MM	INCH	DRWN: SASWAP		2024/03/05		MINI FIT JR SERIES PLUG W/O MTG. EARS	
4 PLACES		±	±	CHK'D: XQZHANG		2024/04/18			
3 PLACES		±	± 0.015	APPR: XQZHANG		2024/04/18		PRODUCT CUSTOMER DRAWING	
2 PLACES		± 0.38	±	INITIAL REVISION:				DOCUMENT NUMBER	
1 PLACE		±	±	DRWN: RJF				55590001-SD	
0 PLACES		±	±	APPR: ROS				PSD 000 A2	
ANGULAR TOL		± 0.5 °		THIRD ANGLE PROJECTION		DRAWING		SHEET NUMBER	
DRAFT WHERE APPLICABLE MUST REMAIN WITHIN DIMENSIONS				C-SIZE		SERIES 5559		MATERIAL NUMBER SEE TABLE	
						CUSTOMER GENERAL MARKET		2 OF 2	

THIS DRAWING REPLACES DRAWING SD-5559-NP1*

DOCUMENT STATUS	P1	RELEASE DATE	2024/04/18	04:37:55
-----------------	----	--------------	------------	----------