



产品编号 : [39014021](#)

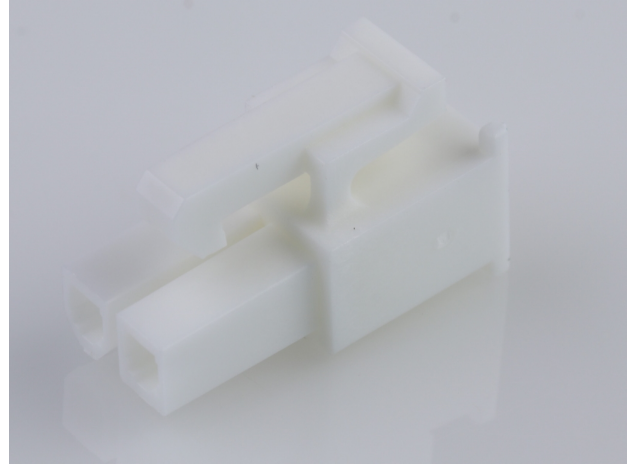
Product Description : Mini-Fit Jr.
Receptacle Housing, Single Row, 2
Circuits, UL 94V-0, Natural

系列号 : 5557

状态 : Active

Product Category : Connector Housings

工程编号 : 5557-02R2-210



文件和资源

图纸

[图纸 039014021_sd.pdf](#)

[包装设计图 PK-5557-002-000.pdf](#)

3D 模型和设计文件

[3D模型 039014021_stp.zip](#)

规格

[应用规格 55560001-AS-000.pdf](#)

[应用规格 AS-5557-001-001.pdf](#)

[产品规格 PS-45750-001-001.pdf](#)

[产品规格 55560002-PS-CH-000.pdf](#)

[产品规格 55560002-PS-ES-000.pdf](#)

[产品规格 55560002-PS-SK-000.pdf](#)

[产品规格 PS-5556-001-001.pdf](#)

[产品规格 PS-5556-002-001.pdf](#)

[测试摘要 55560010-TS-000.pdf](#)

[测试摘要 TS-5556-002-001.pdf](#)

[测试摘要 55570000-TS-000.pdf](#)

产物环境合规

合规

GADSL/IMDS	Not Relevant
China RoHS	
EU ELV	Not Relevant
Low-Halogen Status	Low-Halogen per IEC 61249-2-21

REACH SVHC	Not Contained per D(2023)8585-DC (23 Jan 2024)
EU RoHS	Compliant per EU 2015/863

多部分产品合规性声明

- Eu RoHS
- REACH SVHC
- Low-Halogen

多部分行业合规性文件

- IPC 1752A Class C
- IPC 1752A Class D
- Molex Product Compliance Declaration
- IEC-62474
- chemSHERPA (xml)

欧盟 RoHS 合格证书

产品详情

常规

状态	活动
类别	Connector Housings
系列	5557
说明	Mini-Fit Jr. Receptacle Housing, Single Row, 2 Circuits, UL 94V-0, Natural
应用	Power, Wire-to-Board, Wire-to- Wire
个评论	Current = 13A max. per circuit when header is mated to a receptacle loaded with 45750 series terminals crimped to 16 AWG wire. See Molex product specification PS-45750-001 for additional current derating information.
产品系列	Mini-Fit Family Power Connectors
产品名称	Mini-Fit Jr.
UPC	822348720477

机构

CSA	LR19980
UL	E29179

物理

断开	否
电路数 (最多)	2
颜色-树脂	Natural
阻燃性	94V-0
性别	Receptacle
符合灼热丝规范	否
插接极性	无
锁定插接部位	是
材料 - 树脂	Nylon
净重	0.694/g
行数	1
包装形式	Bag
面板安装式	否
间距 - 插配接口	4.20mm
间距 - 终端界面	4.20mm
有极性的插配件	是
可堆叠的	否
运行温度范围	-40° to +105° C

进程

无铅	不适用
----	-----

可配插/可连接使用的产品

可配插部件

描述	产品编号
Mini-Fit Jr. Plug Housing, Single Row, 2 Circuits, UL 94V-0, with Panel Mounting Ears, Natural	<u>469990657</u>
Mini-Fit Jr. Plug Housing, Single Row, 2 Circuits, UL 94V-0, without Panel Mounting Ears, Natural	<u>469990658</u>

可连接使用部件

描述	产品编号
----	------

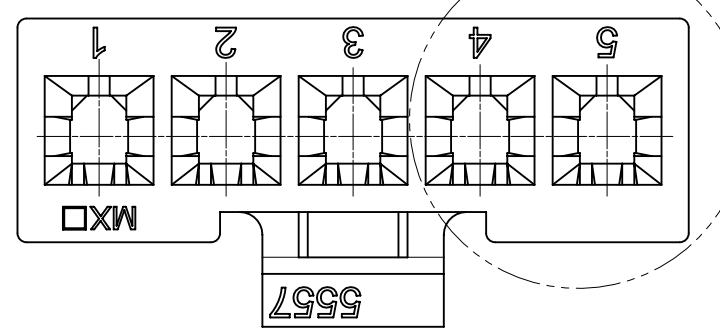
Pre-Crimped Lead Mini-Fit Female-to-Mini-Fit Female, Tin (Sn) Plating, 150.00mm Length, 18 AWG, Red	/content/molex/molex-dot-com/cn/zh/products/product-page.html/797580001.html
Pre-Crimped Lead Mini-Fit Female-to-Mini-Fit Female, Tin (Sn) Plating, 300.00mm Length, 18 AWG, Red	/content/molex/molex-dot-com/cn/zh/products/product-page.html/797580009.html
Mini-Fit Female Crimp Terminals	<u>5556</u>
Mini-Fit Plus Female Crimp Terminals	<u>45750</u>
Mini-Fit Jr. Hermaphroditic Backshells	<u>204723</u>

NOTES:

- MATERIAL:
 "BLANK": NYLON 6/6, 94V-2, COLOR:NATURAL.
 210: NYLON 6/6, 94V-0, COLOR:NATURAL.
 400: NYLON 6/6, 94V-0, COLOR : BLACK.
- FINISH: NOT APPLICABLE.
- PRODUCT SPECIFICATION: PS-5556-001.
- PACKAGING SPECIFICATION: PK-5557-002.
- PART MATES WITH MOLEX PLUG #5559-*, VERTICAL HEADER #5566-*, AND RIGHT ANGLE HEADER #5569-*.
- PART IS FOR USE WITH MOLEX FEMALE TERMINAL #5556-*.
- PART CONFORMS TO CLASS "B" REQUIREMENTS OF COSMETIC SPECIFICATION PS-45499-002.
- PART IS NOY DESIGNATED FOR CURRENT SHARING.
- CONNECTORS ARE NOT TO BE MATED OR UNMATED WHILE CIRCUITS ARE LIVE.
- WIRES ARE TO BE DRESSED IN SUCH A MANNER TO ALLOW THE TERMINALS TO FLOAT FREELY IN THE POCKET.
- TEXT ON PART IS FOR REFERENCE ONLY.TEXT AND TEXT LOCATION MAY VARY DEPENDING ON PART NUMBER AND /OR TOOL.
- BUBBLE IS ACCEPTABLEON LATCH AREA.

CKT SIZE	DIM A
2	.378/(9.60)
4	.709/(18.00)
5	.874/(22.20)
6	1.039/(26.40)

PART NUMBER	ENG. NUMBER	CKT. SIZE	MATERIAL(SEE NOTE 1.)
39-01-4020	5557-02R2	2	94V-2
39-01-4021	5557-02R2-210	2	94V-0
39-01-4040	5557-04R2	4	94V-2
39-01-4041	5557-04R2-210	4	94V-0
46999-0503	5557-04R2-400	4	94V-0
39-01-4050	5557-05R2	5	94V-2
39-01-4051	5557-05R2-210	5	94V-0
50-30-4447	5557-05R2-400	5	94V-0
39-01-4060	5557-06R2	6	94V-2
39-01-4061	5557-06R2-210	6	94V-0



OPTIONAL ENGINEERING NUMBER LOCATION

LEGEND:

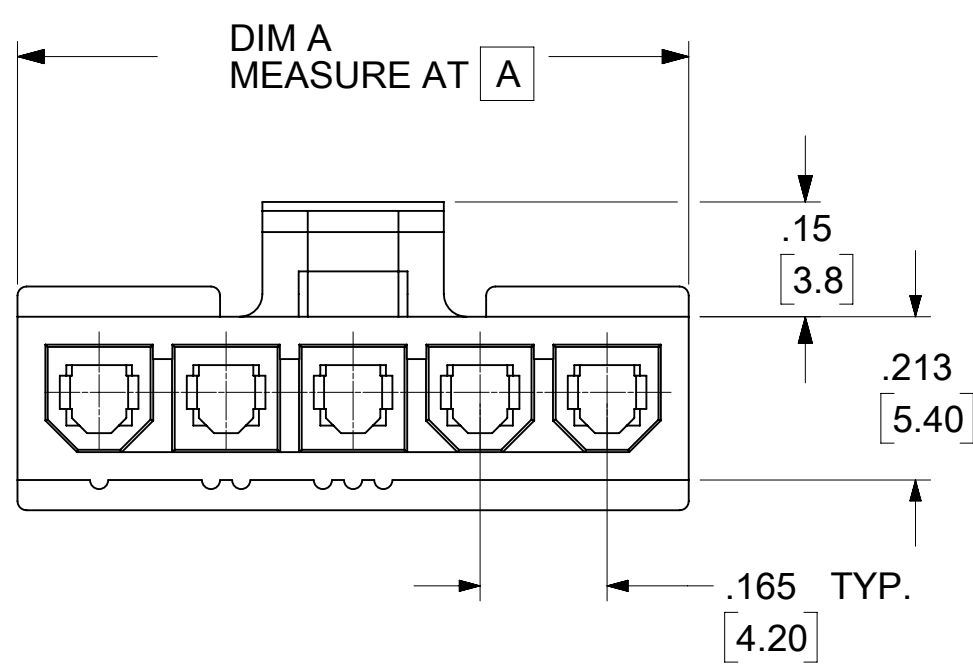
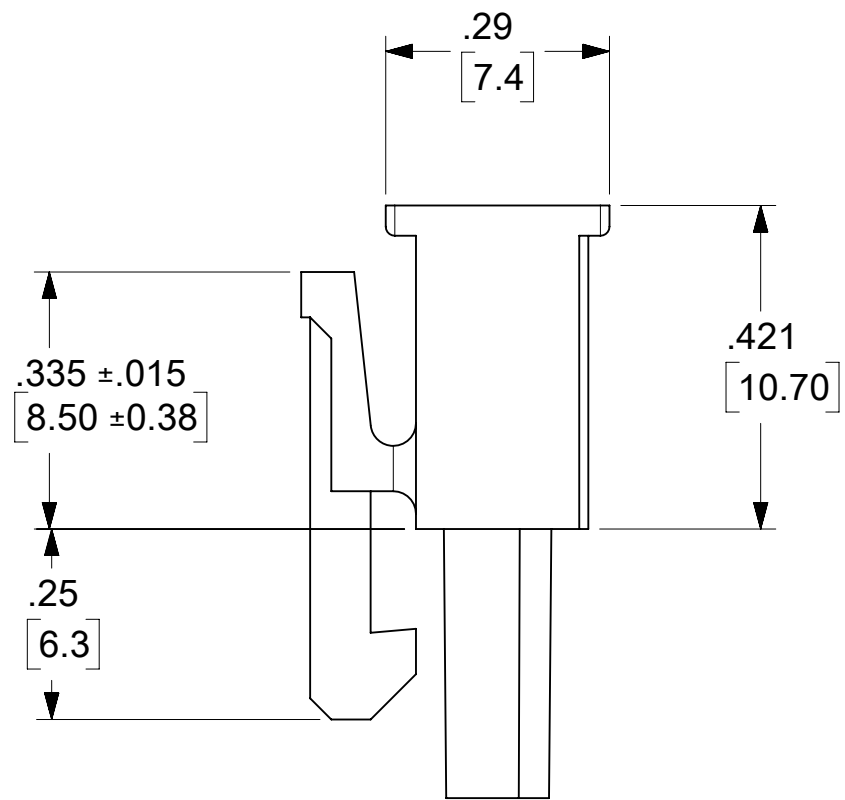
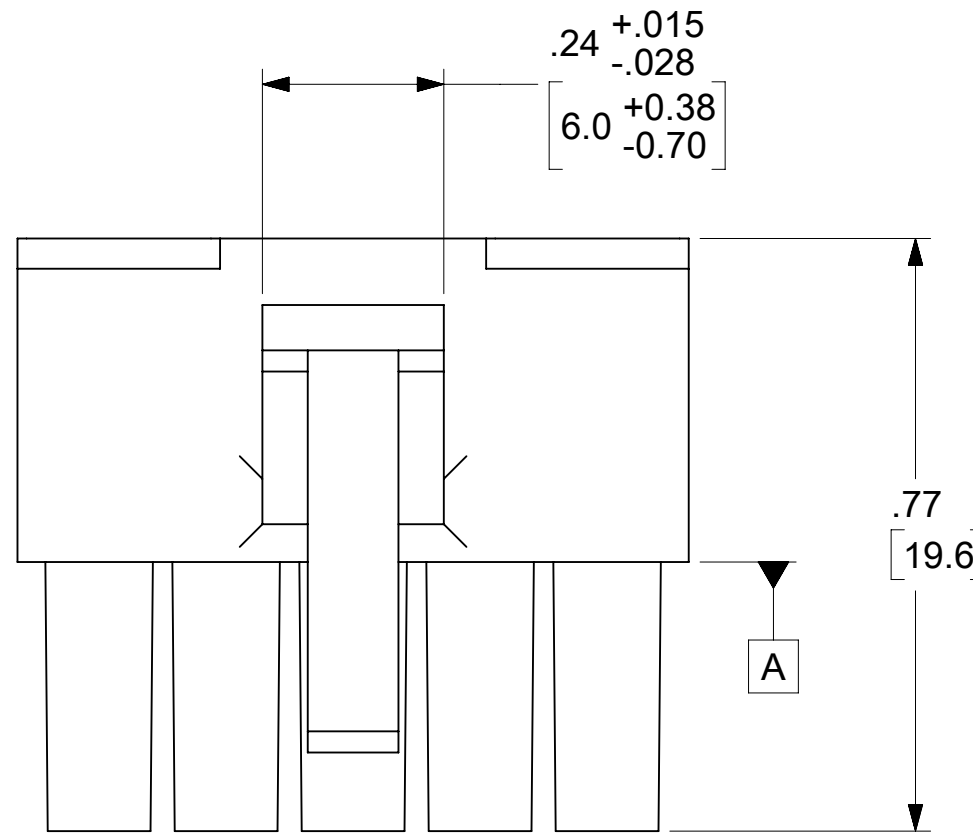
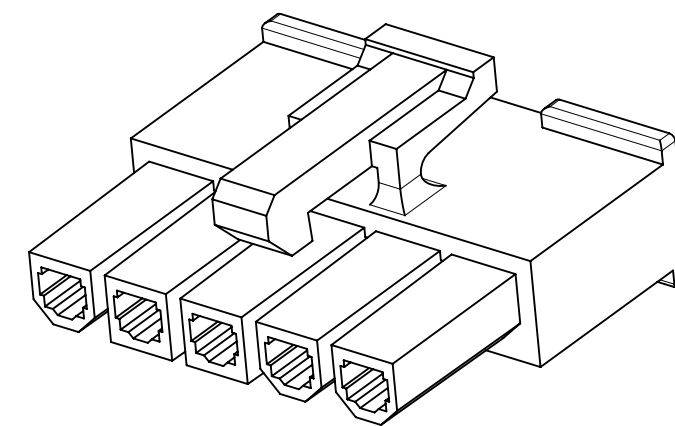
5557 - ** R2 - *** - **

CKT SIZE:
(02,04-06)

RECEPTACLE:
(SINGLE ROW)

MATERIAL OPTION:
(SEE NOTE1)

COLOR:
"BLANK"=NATURAL
"BL"=BLACK



THIS DRAWING CONTAINS INFORMATION THAT IS PROPRIETARY TO MOLEX ELECTRONIC TECHNOLOGIES, LLC AND SHOULD NOT BE USED WITHOUT WRITTEN PERMISSION

DIMENSION UNITS INCH/MM		SCALE NTS		CURRENT REV DESC: RE- MASTERED THE DRAWING USING 55570520 MODEL,					
GENERAL TOLERANCES (UNLESS SPECIFIED)				EC NO: 778837					
4 PLACES	±		±	DRWN: LIKITV	2024/02/01	DOCUMENT NUMBER: 55570002-SD DOC TYPE: PSD DOC PART: 000 REVISION: A2			
3 PLACES	±		± 0.01	CHK'D: XQZHANG	2024/03/04				
2 PLACES	±	0.25	± 0.015	APPR: XQZHANG	2024/03/04	INITIAL REVISION: DRWN: KSS 2/15/89 APPR: FSMITH 2012/05/04			
1 PLACE	±	0.38	±						
0 PLACES	±		±			THIRD ANGLE PROJECTION			
ANGULAR TOL		± 0.5 °							

THIS DRAWING REPLACES DRAWING SD-5557-NR2*