



产品编号 : 39014031

系列号 : 5557

Product Category : Connector Housings

Product Description : Mini-Fit Jr. Receptacle Housing, Single Row, 3 Circuits, UL 94V-0, Natural

状态 : Active

工程编号 : 5557-03R2-210

---

## 文件和资源

### 图纸

图纸 039014031\_sd.pdf

包装设计图 PK-5557-002-000.pdf

### 3D 模型和设计文件

3D模型 039014031\_stp.zip

### 规格

应用规格 55560001-AS-000.pdf

应用规格 AS-5557-001-001.pdf

产品规格 PS-45750-001-001.pdf

产品规格 55560002-PS-CH-000.pdf

产品规格 55560002-PS-ES-000.pdf

产品规格 55560002-PS-SK-000.pdf

产品规格 PS-5556-001-001.pdf

产品规格 PS-5556-002-001.pdf

测试摘要 55560010-TS-000.pdf


测试摘要 TS-5556-002-001.pdf

测试摘要 55570000-TS-000.pdf

---

## 产物环境合规

### 合规

GADSL/IMDS	Not Relevant
China RoHS	
EU ELV	Compliant per 2000/53/EC
Low-Halogen Status	Low-Halogen per IEC 61249-2-21
REACH SVHC	Not Contained per D(2023)8585-DC (23 Jan 2024)
EU RoHS	Compliant per EU 2015/863

多部分产品合规性声明

- Eu RoHS
- REACH SVHC
- Low-Halogen
- IPC 1752A Class C
- IPC 1752A Class D
- Molex Product Compliance Declaration
- IEC-62474
- chemSHERPA (xml)

欧盟 RoHS 合格证书

## 产品详情

### 常规

状态	活动
类别	Connector Housings
系列	5557
说明	Mini-Fit Jr. Receptacle Housing, Single Row, 3 Circuits, UL 94V-0, Natural
应用	Power, Wire-to-Board, Wire-to-Wire
个评论	Current = 13A max. per circuit when header is mated to a receptacle loaded with 45750 series terminals crimped to 16 AWG wire. See Molex product specification PS-45750-001 for additional current derating information.
产品系列	Mini-Fit Family Power Connectors
产品名称	Mini-Fit Jr.
UPC	800753584082

### 机构

CSA	LR19980
UL	E29179

### 物理

断开	否
电路数 (最多)	3
颜色-树脂	Natural

阻燃性	94V-0
性别	Receptacle
符合灼热丝规范	否
插接极性	无
锁定插接部位	是
材料 - 树脂	Nylon
净重	0.960/g
行数	1
包装形式	Bag
面板安装式	否
间距 - 插配接口	4.20mm
间距 - 终端界面	4.20mm
有极性的插配件	是
可堆叠的	否
运行温度范围	-40° to +105° C

## 进程

无铅	不适用
----	-----

---

## 可配插/可连接使用的产品

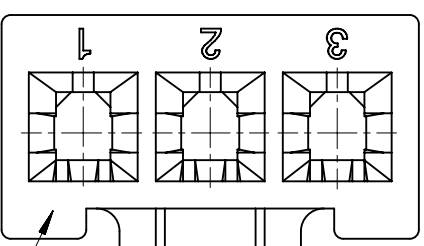
### 可配插部件

描述	产品编号
Mini-Fit Jr. Plug Housing, Single Row, 3 Circuits, UL 94V-0, with Panel Mounting Ears, Natural	<u>39014033</u>
Mini-Fit Jr. Plug Housing, Single Row, 3 Circuits, UL 94V-0, without Panel Mounting Ears, Natural	<u>39014037</u>
Mini-Fit Jr. Vertical Header, 4.20mm Pitch, Single Row, 3 Circuits, with Snap-in Plastic Peg PCB Lock, Tin, Natural	<u>39302030</u>
Mini-Fit Jr. Header, Single Row, Right-Angle, with Snap-in Plastic Peg PCB Lock, 3 Circuits, PA Polyamide Nylon 6/6, 94V-0, Tin (Sn) Plating	<u>39303036</u>

## 可连接使用部件

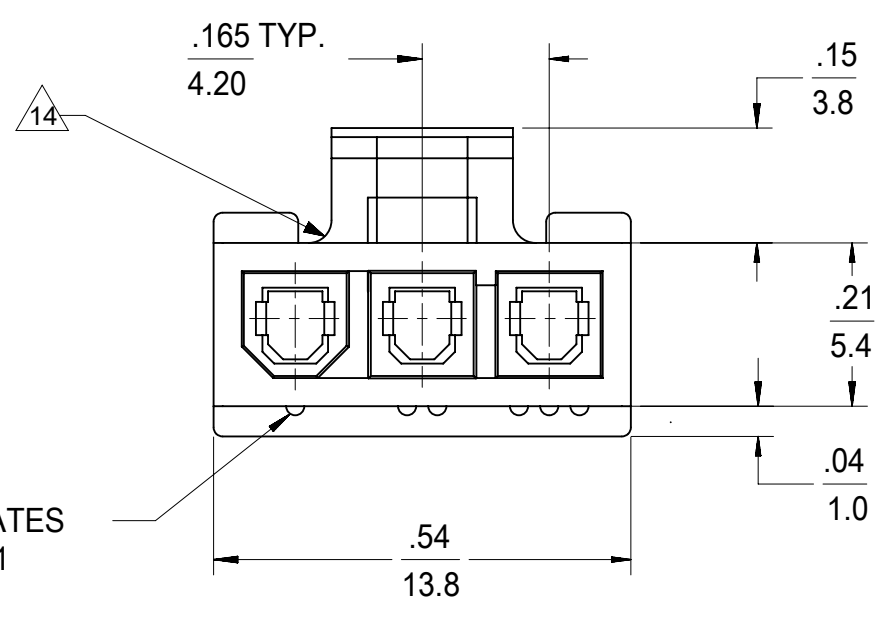
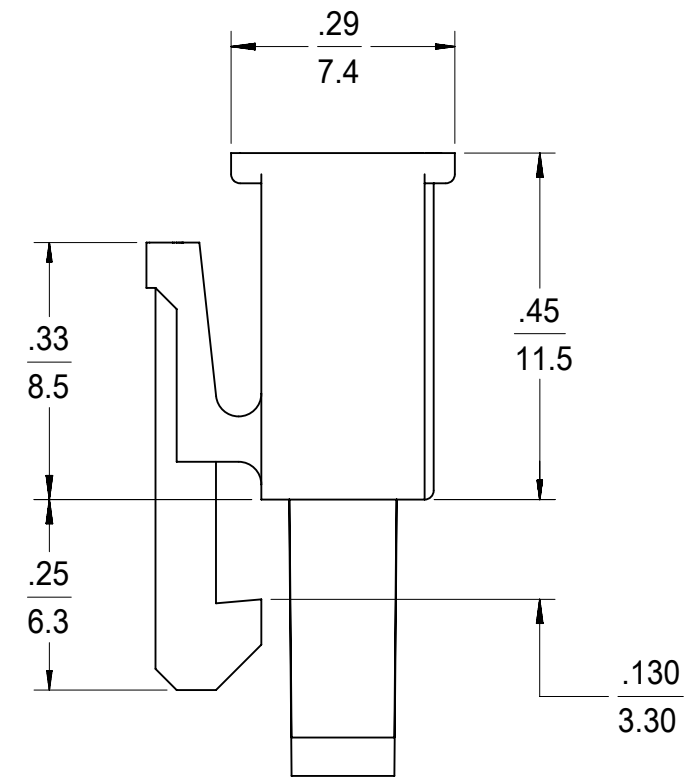
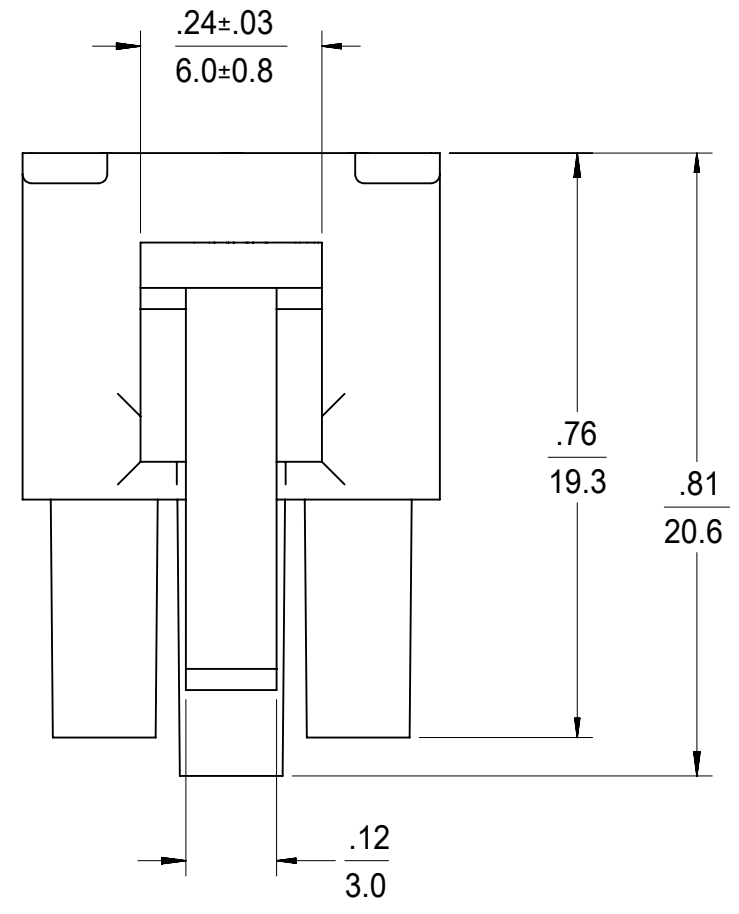
描述	产品编号
Pre-Crimped Lead Mini-Fit Female-to-Mini-Fit Female, Tin (Sn) Plating, 150.00mm Length, 18 AWG, Red	<a href="/content/molex/molex-dot-com/cn/zh/products/product-page.html/797580001.html">/content/molex/molex-dot-com/cn/zh/products/product-page.html/797580001.html</a>
Pre-Crimped Lead Mini-Fit Female-to-Mini-Fit Female, Tin (Sn) Plating, 300.00mm Length, 18 AWG, Red	<a href="/content/molex/molex-dot-com/cn/zh/products/product-page.html/797580009.html">/content/molex/molex-dot-com/cn/zh/products/product-page.html/797580009.html</a>
Mini-Fit Female Crimp Terminals	<u>5556</u>
Mini-Fit Plus Female Crimp Terminals	<u>45750</u>

PART NO.	ENG. NO.	CKT SIZE	MATERIAL (SEE NOTE 1)
39-01-4030	5557-03R2	3	UL 94V-2
39-01-4031	5557-03R2-210	3	UL 94V-0
39-01-5039	5557-03R2-BL	3	UL 94V-2, BLACK
46999-0287	5557-03R2-400	3	UL 94V-0, BLACK

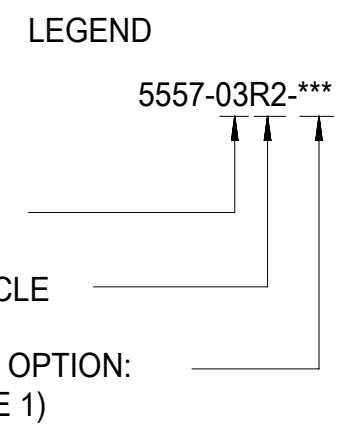


SEE NOTE 11

MOLEX I.D.,  
ENGINEERING NO.,  
CAVITY NO.

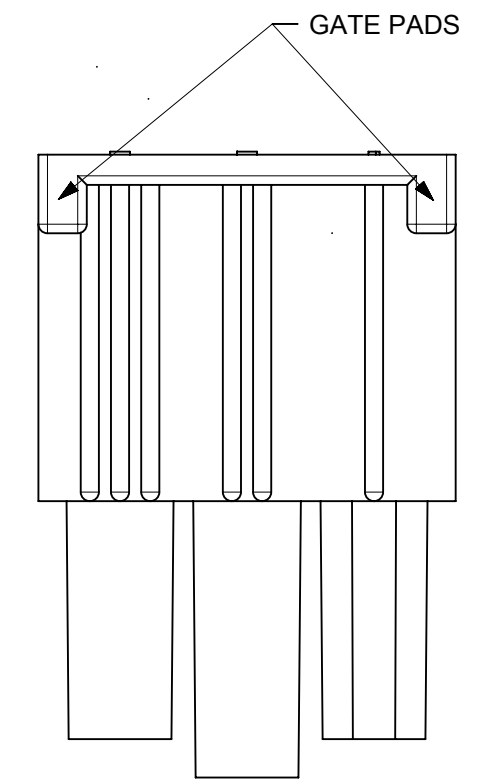
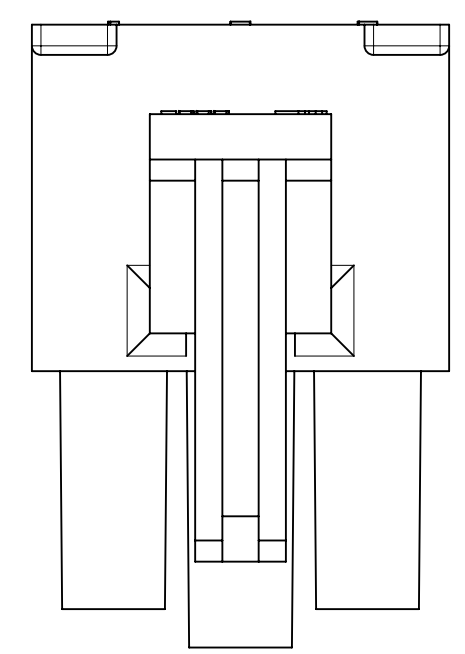


RIB INDICATES  
CIRCUIT #1

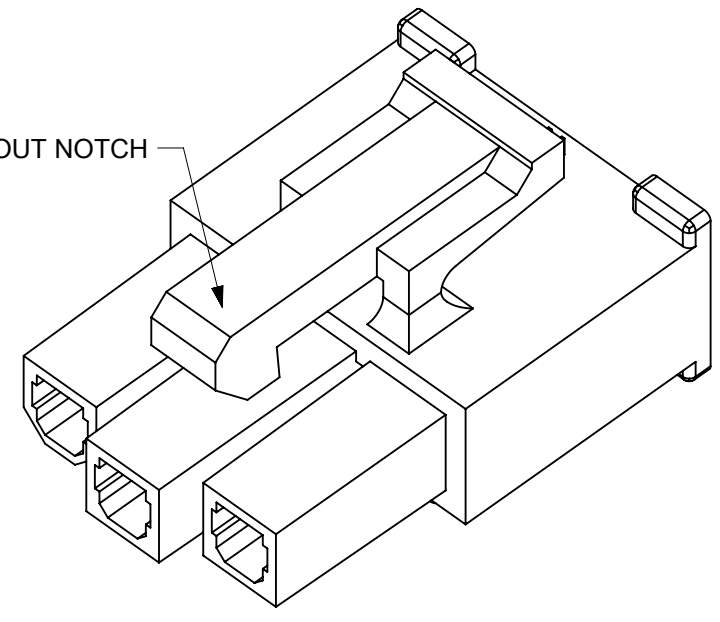


- NOTES:
- MATERIAL:  
"BLANK"=NYLON 6/6, UL94V-2, LOW HALOGEN, COLOR: NATURAL  
"210"=NYLON 6/6, UL94V-0, LOW HALOGEN, COLOR: NATURAL  
"BL"=NYLON 6/6, UL94V-2, LOW HALOGEN, COLOR: BLACK  
"400"=NYLON 6/6, UL94V-0, LOW HALOGEN, COLOR: BLACK
  - FINISH: NOT APPLICABLE
  - PRODUCT SPECIFICATION: PS-5556-001
  - PACKAGING: PK-5557-002
  - PART MATES WITH MOLEX RIGHT ANGLE HEADER #5569-03A\*, VERTICAL HEADER #5566-03A3\* AND PLUG #5559-03P\*.
  - PART TO BE USED WITH MOLEX FEMALE TERMINAL #5556.
  - WHEN MATING WITH ANOTHER CONNECTOR, THE CENTER CIRCUIT WILL "MAKE FIRST AND BREAK LAST".
  - PART IS NOT DESIGNED FOR CURRENT SHARING.
  - CONNECTOR ASSEMBLIES ARE NOT TO BE MATED OR UNMATED WHILE CIRCUITS ARE LIVE.
  - WIRES ARE TO BE DRESSED IN SUCH A MANNER TO ALLOW THE TERMINALS TO FLOAT FREELY IN THE POCKET.
  - "MX" TRADEMARK MAY BE LOCATED ON LATCH OR SURFACE INDICATED. CAVITY NO. MAY BE LOCATED ON EITHER SIDE OF ENGINEERING NO. ON LATCH.
  - PART CONFORMS TO CLASS "B" REQUIREMENTS OF COSMETIC SPECIFICATION PS-45499-002.
  - BUBBLE IS ACCEPTABLE ON LATCH AREA.
  - THIS RADIUS MAY OR MAY NOT APPEAR ON HOUSING.

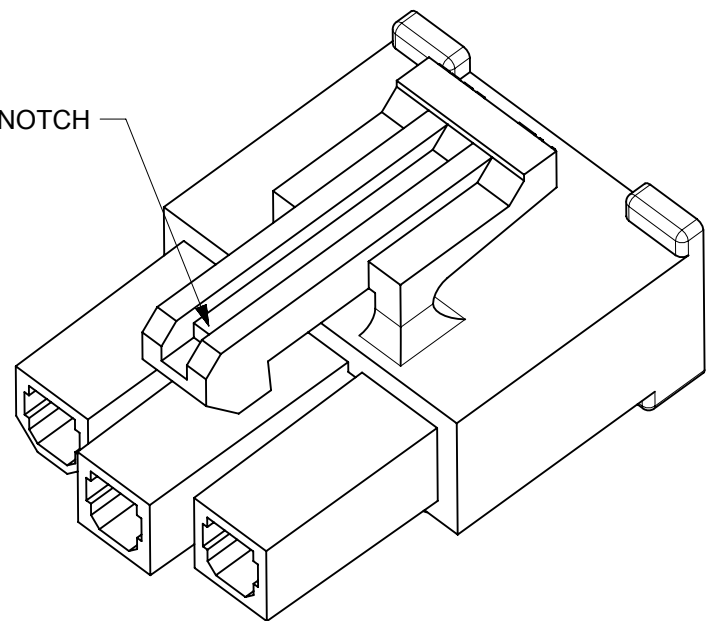
OPTION 2



OPTION 1 WITHOUT NOTCH



OPTION 2 WITH NOTCH



BOTH STRUCTURES ARE ACCEPCTABLE.

THIS DRAWING REPLACES DRAWING SD-5557-03R2\*

THIS DRAWING CONTAINS INFORMATION THAT IS PROPRIETARY TO MOLEX ELECTRONIC TECHNOLOGIES, LLC AND SHOULD NOT BE USED WITHOUT WRITTEN PERMISSION									
DIMENSION UNITS		SCALE		CURRENT REV DESC:					
IN/MM		NTS							
GENERAL TOLERANCES (UNLESS SPECIFIED)									
4 PLACES		±		MM		INCH		EC NO: 728295	
3 PLACES		±		0.01				DRWN: JERRYW8 2023/12/21	
2 PLACES		±		0.25		± 0.015		CHK'D: XQZHANG 2024/02/28	
1 PLACE		±		0.38		±		APPR: XQZHANG 2024/02/28	
0 PLACES		±						INITIAL REVISION:	
ANGULAR TOL		±		0.5°				DRWN: GEP 1990/10/02	
DRAFT WHERE APPLICABLE MUST REMAIN WITHIN DIMENSIONS		THIRD ANGLE PROJECTION		DRAWING		SERIES		MATERIAL NUMBER	
				C-SIZE		5557		SEE CHART	
DOCUMENT STATUS		P1		RELEASE DATE		2024/02/28 06:24:28		CUSTOMER	
								GENERAL MARKET	
								SHEET NUMBER	
								1 OF 1	