



产品编号 : 39014036

系列号 : 5559

Product Category : Connector Housings

Product Description : Mini-Fit Jr. Plug Housing, Single Row, 3 Circuits, UL 94V-2, without Panel Mounting Ears, Natural

状态 : Active

工程编号 : 5559-03P3

文件和资源

图纸

图纸 039014036_sd.pdf

3D 模型和设计文件

3D模型 039014036_stp.zip

规格

应用规格 55560001-AS-000.pdf

应用规格 AS-5557-001-001.pdf

包装规格 PK-5559-003-001.pdf

产品规格 PS-45750-001-001.pdf


产品规格 PS-5556-001-001.pdf

测试摘要 55560010-TS-000.pdf

测试摘要 TS-5556-002-001.pdf

产物环境合规

合规

GADSL/IMDS	Not Relevant
China RoHS	
EU ELV	Not Relevant
Low-Halogen Status	Low-Halogen per IEC 61249-2-21
REACH SVHC	Not Contained per D(2023)8585-DC (23 Jan 2024)
EU RoHS	Compliant per EU 2015/863

多部分产品合规性声明

- Eu RoHS
- REACH SVHC
- Low-Halogen
- IPC 1752A Class C

- IPC 1752A Class D
- Molex Product Compliance Declaration
- IEC-62474
- chemSHERPA (xml)

欧盟 RoHS 合格证书

产品详情

常规

状态	活动
类别	Connector Housings
系列	5559
说明	Mini-Fit Jr. Plug Housing, Single Row, 3 Circuits, UL 94V-2, without Panel Mounting Ears, Natural
应用	Power, Wire-to-Board, Wire-to-Wire
个评论	Current = 13A max. per circuit when header is mated to a receptacle loaded with 45750 series terminals crimped to 16 AWG wire. See Molex product specification PS-45750-001 for additional current derating information.
产品系列	Mini-Fit Family Power Connectors
产品名称	Mini-Fit Jr.
UPC	800754381109

机构

CSA	LR19980
UL	E29179

物理

断开	否
电路数 (最多)	3
颜色-树脂	Natural
阻燃性	94V-2
性别	Plug
符合灼热丝规范	否

插接极性	无
锁定插接部位	是
材料 - 树脂	Nylon
净重	1.160/g
行数	1
包装形式	Bag
面板安装式	否
间距 - 插配接口	4.20mm
间距 - 终端界面	4.20mm
有极性的插配件	是
可堆叠的	否
运行温度范围	-40° to +105° C

进程

无铅	不适用
----	-----

可配插/可连接使用的产品

可配插部件

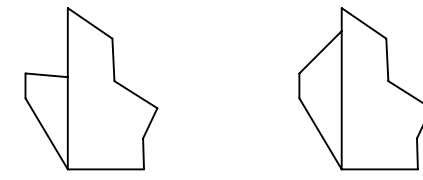
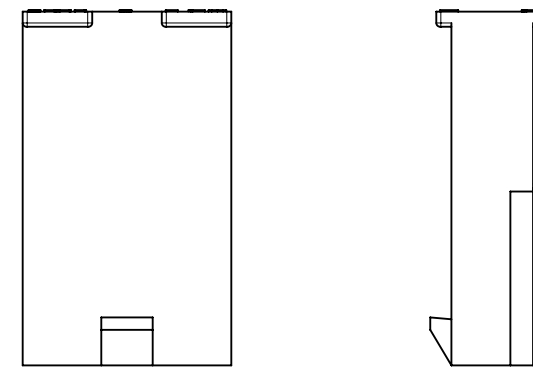
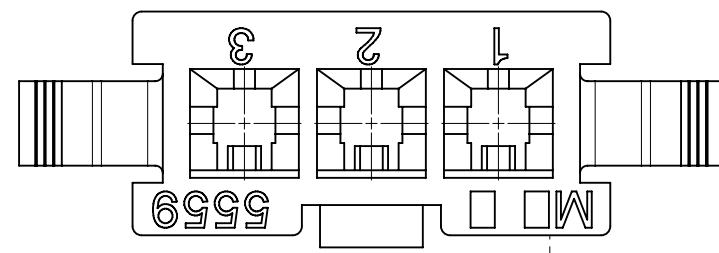
描述	产品编号
Mini-Fit Jr. Receptacle Housing, Single Row, 3 Circuits, UL 94V-2, Natural	<u>39014030</u>
Mini-Fit TPA2-to-Mini-Fit TPA2 Off-the-Shelf (OTS) Cable Assemblies	<u>145135</u>

可连接使用部件

描述	产品编号
Pre-Crimped Lead Mini-Fit Male-to-Mini-Fit Male, Tin (Sn) Plating, 150.00mm Length, 18 AWG, Red	<u>/content/molex/molex-dot-com/cn/zh/products/product-page.html/797580005.html</u>
Pre-Crimped Lead Mini-Fit Male-to-Mini-Fit Male, Tin (Sn) Plating, 300.00mm Length, 18 AWG, Red	<u>/content/molex/molex-dot-com/cn/zh/products/product-page.html/797580013.html</u>
Mini-Fit Male Crimp Terminals	<u>5558</u>
Mini-Fit Plus Male Crimp Terminals	<u>46012</u>

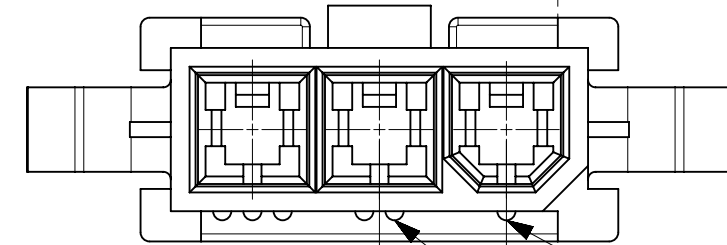
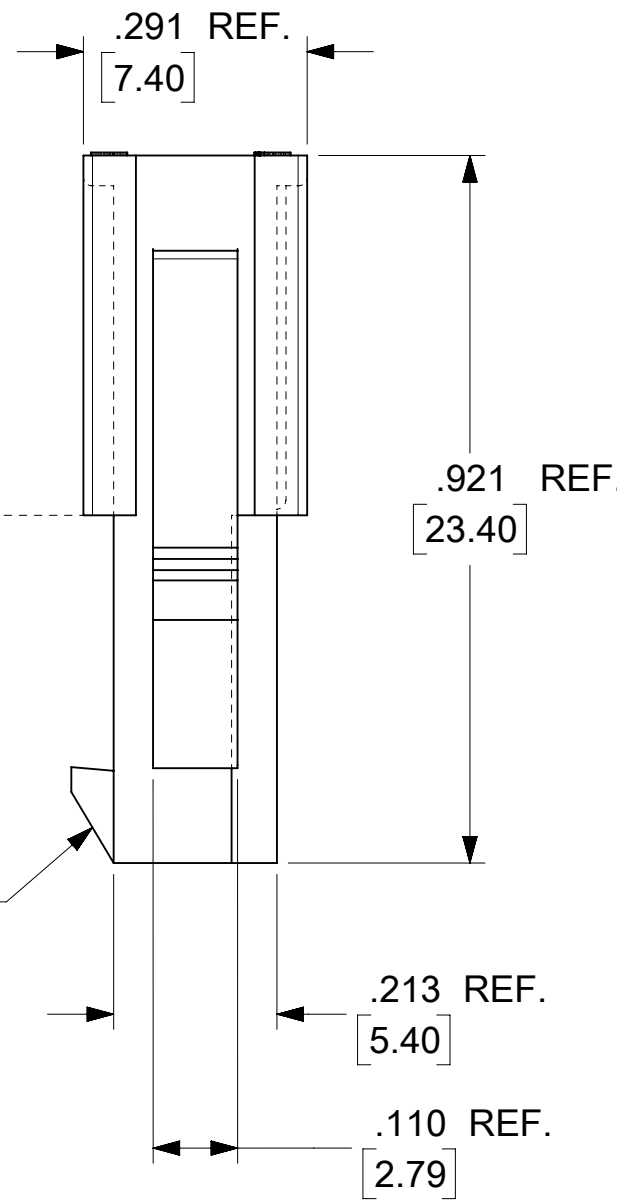
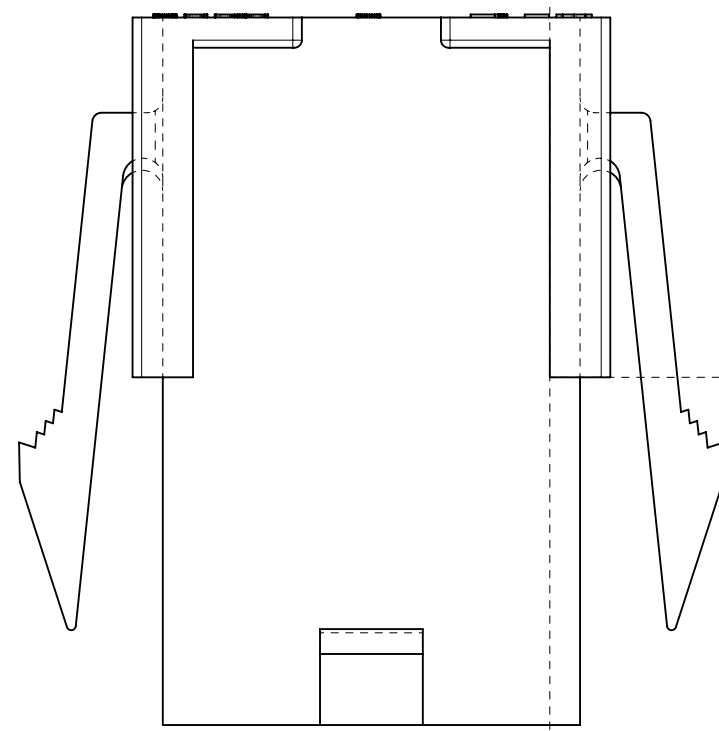
Mini-Fit Jr. Crimp Grounding Terminals	<u>30490</u>
---	--------------

This document was generated on Jun 30, 2024



5559-03P3-***
WITHOUT MOUNTING EARS

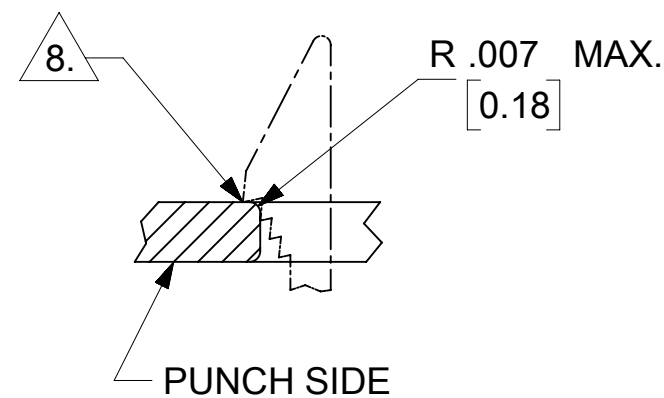
POSITIVE RAMP PASSIVE RAMP
RAMP OPTIONS



.165
[4.20]
TYP.

RIB INDICATES
CIRCUIT #1
RIBS INDICATE
CIRCUIT #2

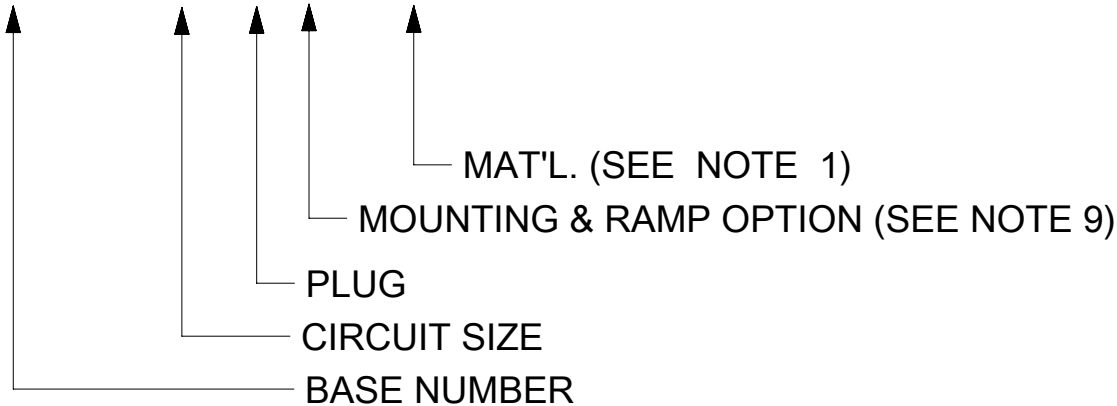
SEE RAMP
OPTIONS



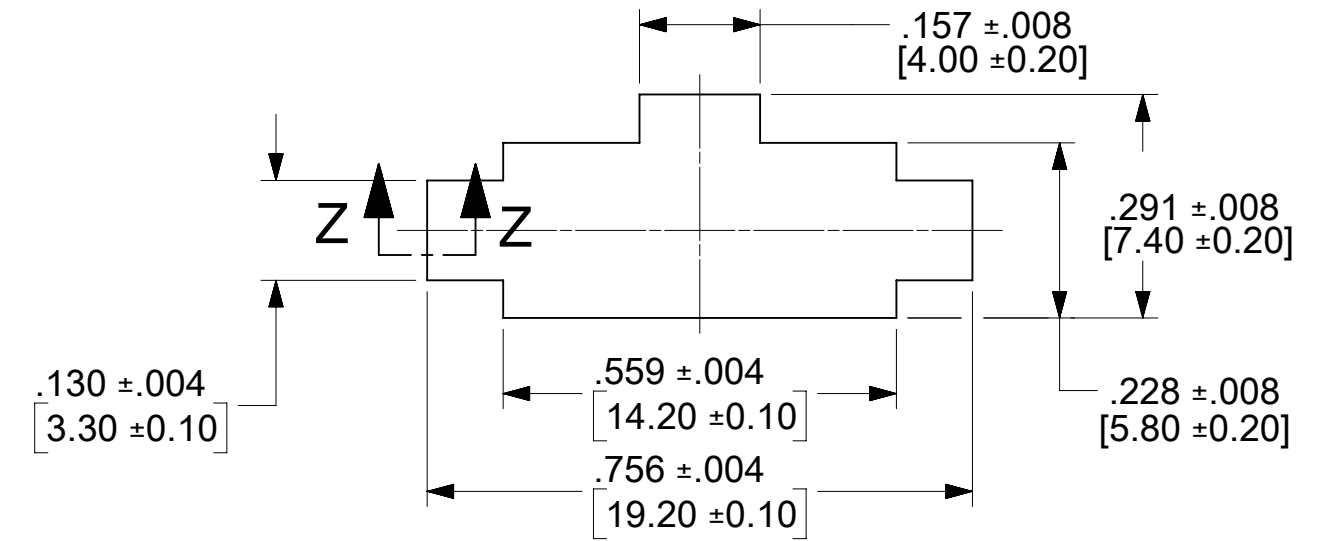
SECTION Z-Z
NO SCALE

LEGEND

5559 - 03 P * - ***



PART NO.	ENG. NO.	CKT. NO.	MOUNT OPTION	MAT'L	RAMP OPTION
39-01-4032	5559-03P2	3	2	BLANK	POSITIVE
39-01-4033	5559-03P2-210	3	2	210	POSITIVE
46999-0291	5559-03P2-400	3	2	400	POSITIVE
39-01-4036	5559-03P3	3	3	BLANK	POSITIVE
39-01-4037	5559-03P3-210	3	3	210	POSITIVE
46999-0290	5559-03P3-400	3	3	400	POSITIVE
39-01-6030	5559-03P2-BL	3	2	BL	POSITIVE
39-01-6031	5559-03P3-BL	3	3	BL	POSITIVE
50-29-0088	5559-03P4	3	4	BLANK	PASSIVE
50-29-0089	5559-03P5	3	5	BLANK	PASSIVE
50-29-0091	5559-03P4-210	3	4	210	PASSIVE
50-29-0093	5559-03P4-BL	3	4	BL	PASSIVE
50-29-0094	5559-03P5-BL	3	5	BL	PASSIVE



RECOMMENDED PANEL CUT-OUT
(SEE NOTES 7 & 8)

NOTES:

- MATERIAL;
BLANK = NYLON 6/6, UL 94V-2, COLOR: NATURAL.
210 = NYLON 6/6, UL 94V-0, COLOR: NATURAL.
BL = NYLON 6/6, UL 94V-2, COLOR: BLACK.
400 = NYLON 6/6, UL 94V-0, COLOR: BLACK
- FINISH = NOT APPLICABLE
- PRODUCT SPECIFICATION: PS-5556-001
- PACKAGING SPECIFICATION: PK-5559-003
- THIS PART MATES WITH RECEPTACLE NO 5557.
- THIS PART IS FOR USE WITH MOLEX MALE TERMINAL NO. 5558-*
- PANEL MOUNT VERSION IS FOR USE WITH .031/0.79/(0.80/2.00)THICK PANELS.
- PANEL SHOULD BE PUNCHED IN THE DIRECTION OF CONNECTOR INSERTION.
- MOUNTING & RAMP OPTION
2 = WITH EARS, WITH POSITIVE RAMP
3 = WITHOUT EARS, WITH POSITIVE RAMP
4 = WITH EARS, WITH PASSIVE RAMP
5 = WITHOUT EARS, WITH PASSIVE RAMP
- PART IS NOT DESIGNED FOR CURRENT SHARING.
- CONNECTORS ARE NOT TO BE MATED OR UNMATED WHILE CIRCUITS ARE LIVE.
- WIRES ARE TO BE DRESSED IN SUCH A MANNER TO ALLOW THE TERMINALS TO FLOAT FREELY IN THE POCKET.
- PART CONFORMS TO CLASS "B" REQUIREMENTS OF COSMETIC SPECIFICATION PS-45499-002.

THIS DRAWING CONTAINS INFORMATION THAT IS PROPRIETARY TO MOLEX ELECTRONIC TECHNOLOGIES, LLC AND SHOULD NOT BE USED WITHOUT WRITTEN PERMISSION											
DIMENSION UNITS		SCALE		CURRENT REV DESC: REMASTERED USING MODELS							
IN/MM		NTS									
GENERAL TOLERANCES (UNLESS SPECIFIED)				EC NO: 782462		2024/03/04		MINI-FIT JR. SERIES, 3 CKT. PLUG.			
4 PLACES		±		DRWN: SASWAP		2024/04/18					
3 PLACES		± 0.01		CHK'D: XQZHANG		2024/04/18		PRODUCT CUSTOMER DRAWING			
2 PLACES		± 0.25 ± 0.015		APPR: XQZHANG		2024/04/18					
1 PLACE		± 0.38 ±		INITIAL REVISION:				DOCUMENT NUMBER		DOC TYPE DOC PART REVISION	
0 PLACES		±		DRWN: GEP		1990/07/11		55590300-SD		PSD 000 A1	
ANGULAR TOL		± 0.5 °		APPR: RAS		1990/07/11		MATERIAL NUMBER		CUSTOMER	
DRAFT WHERE APPLICABLE MUST REMAIN WITHIN DIMENSIONS				THIRD ANGLE PROJECTION		DRAWING		SERIES		SHEET NUMBER	
						C-SIZE		5559		SEE TABLE GENERAL MARKET 1 OF 1	

THIS DRAWING REPLACES DRAWING SD-5559-03P*