



产品编号 : [39036014](#)

Product Description : 2.36mm Diameter Standard .093" Pin and Socket Receptacle Housing with Positive Latch, UL 94V-2, without Panel Mount, 1 Circuit

系列号 : 3191

状态 : Active

Product Category : Connector Housings

工程编号 : 3191-01R1



---

## 文件和资源

### 图纸

[图纸 039036014\\_sd.pdf](#)

### 3D 模型和设计文件

[3D模型 039036014\\_stp.zip](#)

### 规格

[包装规格 SPK-3191-001-001.pdf](#)


[产品规格 PS-3191-001-001.pdf](#)

[产品规格 PS-3191-003-001.pdf](#)

---

## 产物环境合规

### 合规

GADSL/IMDS	Not Relevant
China RoHS	
EU ELV	Not Relevant
Low-Halogen Status	Low-Halogen per IEC 61249-2-21
REACH SVHC	Not Contained per D(2023)3788-DC (14 Jun 2023)
EU RoHS	Compliant per EU 2015/863

### 多部分产品合规性声明

- Eu RoHS

- REACH SVHC

- Low-Halogen

多部分行业合规性文件

- IPC 1752A Class C

- IPC 1752A Class D

- Molex Product Compliance Declaration

- IEC-62474

- chemSHERPA (xml)

欧盟 RoHS 合格证书

---

## 产品详情

### 常规

状态	活动
类别	Connector Housings
系列	3191
说明	2.36mm Diameter Standard .093" Pin and Socket Receptacle Housing with Positive Latch, UL 94V-2, without Panel Mount, 1 Circuit
应用	Power, Wire-to-Board, Wire-to-Wire
个评论	Polarized to Mating Part
产品系列	Standard .093" Pin and Socket Connectors
产品名称	Standard .093"
UPC	800753756533

### 机构

CSA	LR19980
UL	E29179

### 电气

每触点最大电流	12.0A
---------	-------

### 物理

断开	否
电路数（最多）	1
颜色-树脂	Natural

阻燃性	94V-2
性别	Receptacle
符合灼热丝规范	否
插接极性	无
锁定插接部位	是
材料 - 树脂	Nylon
净重	1.290/g
行数	1
包装形式	Bag
面板安装式	否
间距 - 插配接口	不适用
有极性的插配件	是
可堆叠的	否
运行温度范围	-40° to +105° C

## 可配插/可连接使用的产品

### 可配插部件

描述	产品编号
2.36mm Diameter Standard .093" Pin and Socket Plug Housing with Positive Latch, UL 94V-2, with Panel Mount, 1 Circuit	<u>0039036010</u>
2.36mm Diameter Standard .093" Pin and Socket Plug Housing with Positive Latch, UL 94V-2, without Panel Mount, 1 Circuit	<u>0039036012</u>

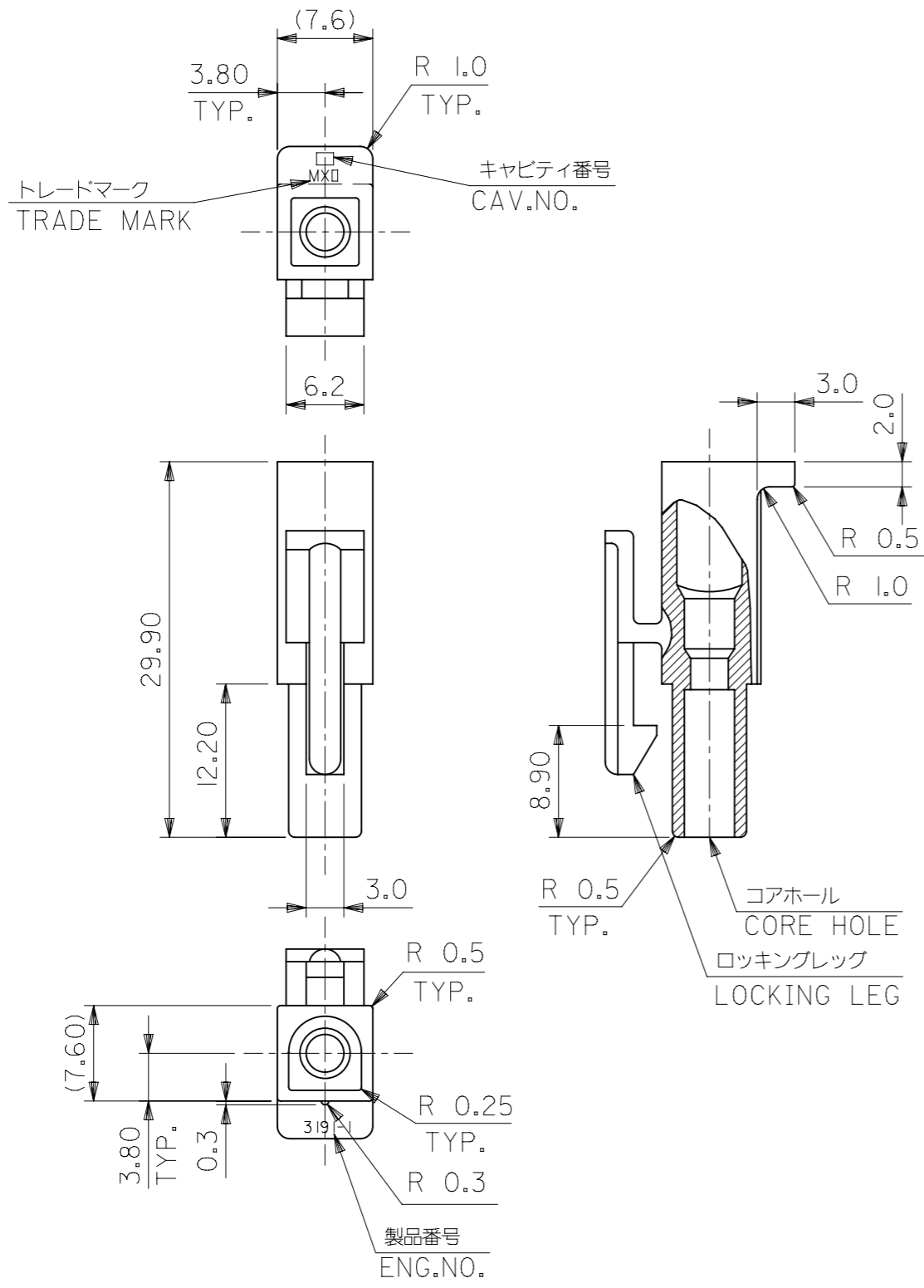
### 可连接使用部件

描述	产品编号
Standard .093" Pin and Socket Female Crimp Terminals	<u>1189</u>
Standard .093" Pin and Socket Female Crimp Terminals	<u>1381</u>
Standard .093" Pin and Socket Female Crimp Terminal	<u>4550</u>
Standard .093" Pin and Socket Male Crimp Terminals	<u>1190</u>
Standard .093" Pin and Socket Male Crimp Terminals	<u>1380</u>

Standard .093" Pin and Socket Male Crimp Terminal	<u>1434</u>
Standard .093" Pin and Socket Male Crimp Grounding Terminals	<u>1973</u>
2.36mm Diameter, Standard .093" Pin and Socket Male Crimp Terminals	<u>42138</u>

---

This document was generated on Jan 30, 2024



注)  
NOTE.

- ( ) 内寸法は参考  
(DIMENSIONS IN ( ) ARE REFERENCE)
- 材料 : ナイロン66  
MATERIAL : NYLON66

RED	3191-01R1-RE	39-01-9018	94V-2
BLUE	3191-01R1-BU	39-01-9017	94V-2
NATURAL	3191-01R1-201	39-03-6015	94V-0
NATURAL	3191-01R1	39-03-6014	94V-2
色 COLOR	モデル番号 MODEL NO.	POLYBAG PACKAGE	
		オーダー番号 ORDER NO.	UL

GENERAL TOLERANCES (UNLESS SPECIFIED)	
10 UNDER	± 0.25
10 OVER 30 UNDER	± 0.3
30 OVER	± 0.35
ANGULAR	± 3 °
DRAFT WHERE APPLICABLE MUST REMAIN WITHIN DIMENSIONS	

THIS DRAWING CONTAINS INFORMATION THAT IS PROPRIETARY TO MOLEX ELECTRONIC TECHNOLOGIES, LLC AND SHOULD NOT BE USED WITHOUT WRITTEN PERMISSION

CURRENT REV DESC: OBSOLETE PART NUMBERS

DIMENSION UNITS		SCALE	
mm		2:1	
GENERAL TOLERANCES (UNLESS SPECIFIED)			
	MM	INCH	
4 PLACES	±	±	
3 PLACES	±	±	
2 PLACES	±	±	
1 PLACE	±	±	
0 PLACES	±	±	
ANGULAR TOL	± °		
DRAFT WHERE APPLICABLE MUST REMAIN WITHIN DIMENSIONS		THIRD ANGLE PROJECTION	

EC NO: 650267  
DRWN: SKANDB 2020/10/19  
CHK'D: GGA 2020/12/10  
APPR: GGA 2020/12/10

INITIAL REVISION:  
DRWN: K.KOHAMA 2000/03/28  
APPR: M.FUKUSHIMA 2000/03/31

DOCUMENT NUMBER	DOC TYPE	DOC PART	REVISION
SD-3191-003	PSD	001	M
MATERIAL NUMBER	CUSTOMER	SHEET NUMBER	
SEE TABLE	GENERAL MARKET	1 OF 1	