

产品编号 : 39036034

Product Description : 2.36mm Diameter Standard .093" Pin and Socket Receptacle Housing with Positive Latch, UL 94V-2, without Panel Mount, 3 Circuits

系列号 : 3191

状态 : Active

Product Category : Connector Housings

工程编号 : 3191-03R1



文件和资源

图纸

图纸 039036034_sd.pdf

3D 模型和设计文件

3D模型 039036034_stp.zip

规格


包装规格 SPK-3191-001-001.pdf

产品规格 PS-3191-001-001.pdf

产品规格 PS-3191-003-001.pdf

产物环境合规

合规

GADSL/IMDS	Not Relevant
China RoHS	
EU ELV	Not Relevant
Low-Halogen Status	Low-Halogen per IEC 61249-2-21
REACH SVHC	Not Contained per D(2023)3788-DC (14 Jun 2023)
EU RoHS	Compliant per EU 2015/863

多部分产品合规性声明

- Eu RoHS

- REACH SVHC

- Low-Halogen

多部分行业合规性文件

- IPC 1752A Class C

- IPC 1752A Class D

- Molex Product Compliance Declaration

- IEC-62474

- chemSHERPA (xml)

欧盟 RoHS 合格证书

产品详情

常规

状态	活动
类别	Connector Housings
系列	3191
说明	2.36mm Diameter Standard .093" Pin and Socket Receptacle Housing with Positive Latch, UL 94V-2, without Panel Mount, 3 Circuits
应用	Power, Wire-to-Board, Wire-to-Wire
个评论	Polarized to Mating Part
产品系列	Standard .093" Pin and Socket Connectors
产品名称	Standard .093"
UPC	800753756809

机构

CSA	LR19980
UL	E29179

电气

每触点最大电流	11.0A
---------	-------

物理

断开	否
电路详图	1x3
电路数 (最多)	3

颜色-树脂	Natural
阻燃性	94V-2
性别	Receptacle
符合灼热丝规范	否
插接极性	无
锁定插接部位	是
材料 - 树脂	Nylon
净重	3064.900/mg
行数	1
包装形式	Bag
面板安装式	否
间距 - 插配接口	6.70mm
有极性的插配件	是
可堆叠的	否
运行温度范围	-40° to +105° C

可配插/可连接使用的产品

可配插部件

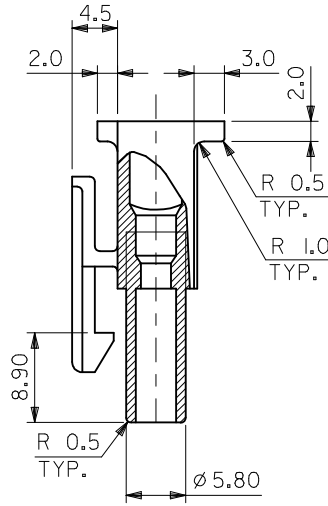
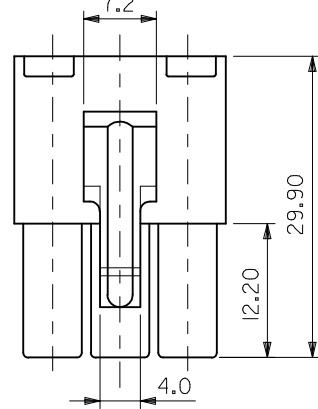
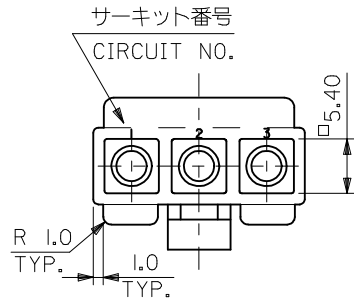
描述	产品编号
2.36mm Diameter Standard .093" Pin and Socket Plug Housing with Positive Latch, UL 94V-2, with Panel Mount, 3 Circuits	<u>0039036030</u>
2.36mm Diameter Standard .093" Pin and Socket Plug Housing with Positive Latch, UL 94V-2, without Panel Mount, 3 Circuits	<u>0039036032</u>
Standard .093" Pin and Socket Vertical Headers	<u>5219</u>

可连接使用部件

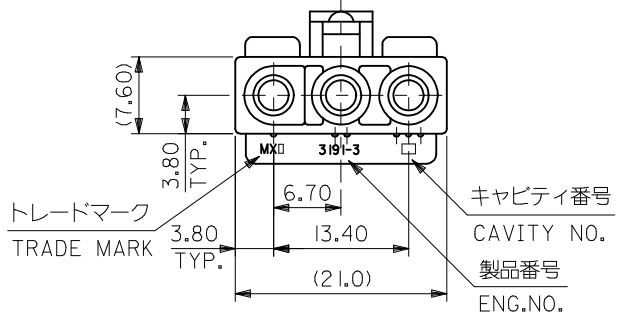
描述	产品编号
Standard .093" Pin and Socket Female Crimp Terminals	<u>1189</u>
Standard .093" Pin and Socket Female Crimp Terminals	<u>1381</u>
Standard .093" Pin and Socket Female Crimp Terminal	<u>4550</u>

Standard .093" Pin and Socket Male Crimp Terminals	<u>1190</u>
Standard .093" Pin and Socket Male Crimp Terminals	<u>1380</u>
Standard .093" Pin and Socket Male Crimp Terminal	<u>1434</u>
Standard .093" Pin and Socket Male Crimp Grounding Terminals	<u>1973</u>
2.36mm Diameter, Standard .093" Pin and Socket Male Crimp Terminals	<u>42138</u>

This document was generated on Dec 29, 2023



注)
NOTE.
1. () 内寸法は参考
(DIMENSIONS IN () ARE REFERENCE)



39-03-6035	3191-03R1-201	NYLON66	94V-0
39-03-6034	3191-03R1	NYLON66	94V-2
POLYBAG PACKAGE	モデル番号 MODEL No.	材質 MATERIAL	UL
オーダー番号 ORDER NO.			

REDRAWN EC NO.: J2013-0829 DRWN:SSATO02 2013/01/31 CHKD:KASAKAWA 2013/01/31 APPR:YOITO 2013/04/16	GENERAL TOLERANCES (UNLESS SPECIFIED)		DIMENSION STYLE MM ONLY		SCALE 2:1		DESIGN UNITS METRIC		THIRD ANGLE PROJECTION	
	10 UNDER ± ---		DRAWN BY DATE SSAT002 2013/01/31		TITLE 3 CKT.REC HSG (.093 DIA TERM)					
	10 OVER 30 UNDER ± ---		CHECKED BY DATE KASAKAWA 2013/01/31		MATERIAL NO. DOCUMENT NO. SHEET NO. SEE CHART SD-3191-012 1 OF 1					
	30 OVER ± ---		APPROVED BY DATE YOITO 2013/04/16							
ANGULAR ±3 °		DRAFT WHERE APPLICABLE MUST REMAIN WITHIN DIMENSIONS		SIZE A3		THIS DRAWING CONTAINS INFORMATION THAT IS PROPRIETARY TO MOLEX INCORPORATED AND SHOULD NOT BE USED WITHOUT WRITTEN PERMISSION				