



产品编号 : [39036064](#)

Product Description : 2.36mm Diameter Standard .093" Pin and Socket Receptacle Housing with Positive Latch, UL 94V-2, without Panel Mount, 6 Circuits

系列号 : 3191

状态 : Active

Product Category : Connector Housings

工程编号 : 3191-06R1



文件和资源

图纸

[图纸 039036064_sd.pdf](#)

3D 模型和设计文件

[3D模型 039036064_stp.zip](#)

规格


[包装规格 SPK-3191-001-001.pdf](#)

[产品规格 PS-3191-001-001.pdf](#)

[产品规格 PS-3191-003-001.pdf](#)

产物环境合规

合规

| | |
|--------------------|---|
| GADSL/IMDS | Not Relevant |
| China RoHS |  |
| EU ELV | Not Relevant |
| Low-Halogen Status | Low-Halogen per IEC 61249-2-21 |
| REACH SVHC | Not Contained per D(2023)3788-DC (14 Jun 2023) |
| EU RoHS | Compliant per EU 2015/863 |

多部分产品合规性声明

- Eu RoHS

- REACH SVHC

- Low-Halogen

多部分行业合规性文件

- IPC 1752A Class C

- IPC 1752A Class D

- Molex Product Compliance Declaration

- IEC-62474

- chemSHERPA (xml)

欧盟 RoHS 合格证书

产品详情

常规

| | |
|------|---|
| 状态 | 活动 |
| 类别 | Connector Housings |
| 系列 | 3191 |
| 说明 | 2.36mm Diameter Standard .093" Pin and Socket Receptacle Housing with Positive Latch, UL 94V-2, without Panel Mount, 6 Circuits |
| 应用 | Power, Wire-to-Board, Wire-to-Wire |
| 个评论 | Polarized to Mating Part |
| 产品系列 | Standard .093" Pin and Socket Connectors |
| 产品名称 | Standard .093" |
| UPC | 800753756823 |

机构

| | |
|-----|---------|
| CSA | LR19980 |
| UL | E29179 |

电气

| | |
|---------|------|
| 每触点最大电流 | 9.0A |
|---------|------|

物理

| | |
|---------|-----|
| 断开 | 否 |
| 电路详图 | 2x3 |
| 电路数（最多） | 6 |

| | |
|-----------|-----------------|
| 颜色-树脂 | Natural |
| 阻燃性 | 94V-2 |
| 性别 | Receptacle |
| 符合灼热丝规范 | 否 |
| 插接极性 | 无 |
| 锁定插接部位 | 是 |
| 材料 - 树脂 | Nylon |
| 净重 | 5001.000/mg |
| 行数 | 2 |
| 包装形式 | Bag |
| 面板安装式 | 否 |
| 间距 - 插配接口 | 6.70mm |
| 有极性的插配件 | 是 |
| 可堆叠的 | 否 |
| 运行温度范围 | -40° to +105° C |

可配插/可连接使用的产品

可配插部件

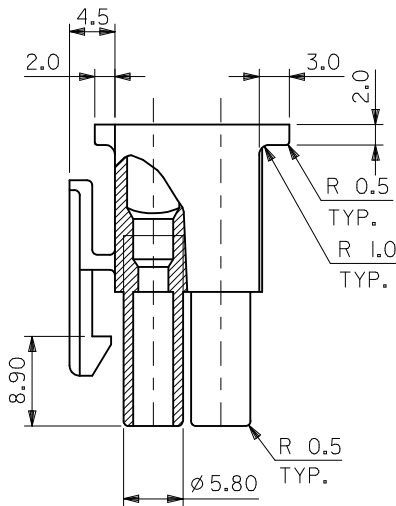
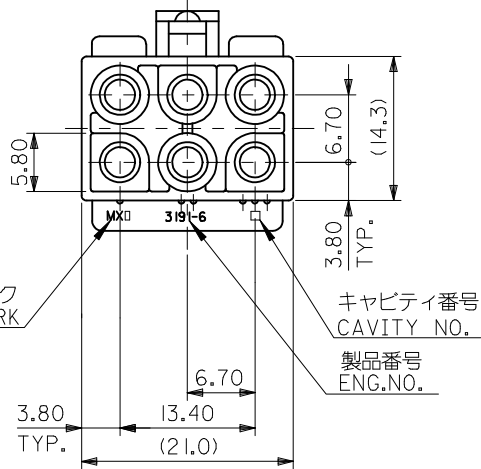
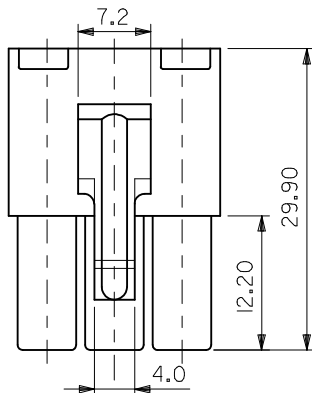
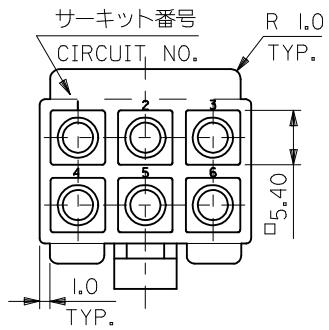
| 描述 | 产品编号 |
|---|-------------------|
| 2.36mm Diameter Standard .093" Pin and Socket Plug Housing with Positive Latch, UL 94V-2, with Panel Mount, 6 Circuits | <u>0039036060</u> |
| 2.36mm Diameter Standard .093" Pin and Socket Plug Housing with Positive Latch, UL 94V-2, without Panel Mount, 6 Circuits | <u>0039036062</u> |
| Standard .093" Pin and Socket Vertical Headers | <u>5219</u> |

可连接使用部件

| 描述 | 产品编号 |
|--|-------------|
| Standard .093" Pin and Socket Female Crimp Terminals | <u>1189</u> |
| Standard .093" Pin and Socket Female Crimp Terminals | <u>1381</u> |
| Standard .093" Pin and Socket Female Crimp Terminal | <u>4550</u> |

| | |
|---|--------------|
| Standard .093" Pin and Socket Male Crimp Terminals | <u>1190</u> |
| Standard .093" Pin and Socket Male Crimp Terminals | <u>1380</u> |
| Standard .093" Pin and Socket Male Crimp Terminal | <u>1434</u> |
| Standard .093" Pin and Socket Male Crimp Grounding Terminals | <u>1973</u> |
| 2.36mm Diameter, Standard .093" Pin and Socket Male Crimp Terminals | <u>42138</u> |

This document was generated on Jan 30, 2024



注)
NOTE.

1. () 内寸法は参考
(DIMENSIONS IN () ARE REFERENCE)

| | | | |
|---------------------|--------------------|----------------|-------|
| 39-03-6065 | 3191-06R1-201 | NYLON66 | 94V-0 |
| 39-03-6064 | 3191-06R1 | NYLON66 | 94V-2 |
| POLYBAG PACKAGE | モデル番号 MODEL No. | 材質 MATERIAL | UL |
| オーダー番号 ORDER NO. | | | |

| | | | | | | | | |
|--|--|-----------------------|-----------------------------------|--------------------|---|------------------------------------|----------------------------|--|
| REDRAWN EC NO.: J2013-0829 DRWN:SSATO02 2013/01/31 CHKD:KASAKAWA 2013/01/31 APPR:YOITO 2013/04/16 REV: 0 | GENERAL TOLERANCES (UNLESS SPECIFIED) | | DIMENSION STYLE MM ONLY | | SCALE 2:1 | DESIGN UNITS METRIC | THIRD ANGLE PROJECTION | |
| | 10 UNDER ±0.25 | 10 OVER 30 UNDER ±0.3 | DRAWN BY SSAT002 | DATE 2013/01/31 | TITLE 6 CKT.REC HSG (.093 DIA TERM) | | | |
| | 30 OVER ±0.35 | ANGULAR ±3 ° | CHECKED BY KASAKAWA | DATE 2013/01/31 | molex | | | |
| | DRAFT WHERE APPLICABLE MUST REMAIN WITHIN DIMENSIONS | | APPROVED BY YOITO | DATE 2013/04/16 | MATERIAL NO. SEE CHART | DOCUMENT NO. SD-3191-017 | SHEET NO. 1 OF 1 | |