



产品编号 : [39036090](#)

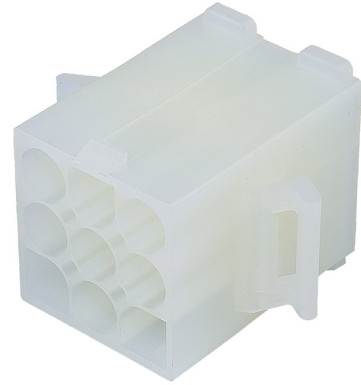
Product Description : 2.36mm Diameter Standard .093" Pin and Socket Plug Housing with Positive Latch, UL 94V-2, with Panel Mount, 9 Circuits

系列号 : 3191

状态 : Active

Product Category : Connector Housings

工程编号 : 3191-09P



文件和资源

图纸

[图纸 039036090_sd.pdf](#)

3D 模型和设计文件

[3D模型 039036090_stp.zip](#)


规格

[包装规格 SPK-3191-001-001.pdf](#)

[产品规格 PS-3191-001-001.pdf](#)

产物环境合规

合规

GADSL/IMDS	Not Relevant
China RoHS	
EU ELV	Not Relevant
Low-Halogen Status	Low-Halogen per IEC 61249-2-21
REACH SVHC	Not Contained per D(2023)3788-DC (14 Jun 2023)
EU RoHS	Compliant per EU 2015/863

多部分产品合规性声明

- Eu RoHS
- REACH SVHC
- Low-Halogen

多部分行业合规性文件

- IPC 1752A Class C
- IPC 1752A Class D
- Molex Product Compliance Declaration
- IEC-62474
- chemSHERPA (xml)

欧盟 RoHS 合格证书

产品详情

常规

状态	活动
类别	Connector Housings
系列	3191
说明	2.36mm Diameter Standard .093" Pin and Socket Plug Housing with Positive Latch, UL 94V-2, with Panel Mount, 9 Circuits
应用	Power, Wire-to-Board, Wire-to-Wire
个评论	Polarized to Mating Part
产品系列	Standard .093" Pin and Socket Connectors
产品名称	Standard .093"
UPC	800753756625

机构

CSA	LR19980
UL	E29179

电气

每触点最大电流	8.0A
---------	------

物理

断开	否
电路详图	3x3
电路数 (最多)	9
颜色-树脂	Natural
阻燃性	94V-2

性别	Plug
符合灼热丝规范	否
插接极性	无
锁定插接部位	是
材料 - 树脂	Nylon
净重	10862.000/mg
行数	3
包装形式	Bag
面板安装式	是
间距 - 插配接口	6.70mm
有极性的插配件	是
可堆叠的	否
运行温度范围	-40° to +105° C

可配插/可连接使用的产品

可配插部件

描述	产品编号
2.36mm Diameter Standard .093" Pin and Socket Receptacle Housing with Positive Latch, UL 94V-2, without Panel Mount, 9 Circuits	<u>0039036094</u>
Standard .093" Pin and Socket Vertical Headers	<u>5219</u>

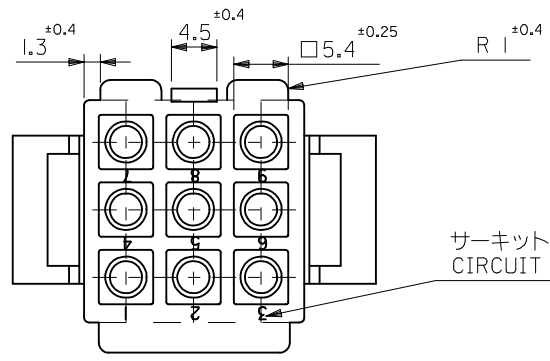
可连接使用部件

描述	产品编号
Standard .093" Pin and Socket Female Crimp Terminals	<u>1189</u>
Standard .093" Pin and Socket Female Crimp Terminals	<u>1381</u>
Standard .093" Pin and Socket Female Crimp Terminal	<u>4550</u>
Standard .093" Pin and Socket Male Crimp Terminals	<u>1190</u>
Standard .093" Pin and Socket Male Crimp Terminals	<u>1380</u>
Standard .093" Pin and Socket Male Crimp Terminal	<u>1434</u>

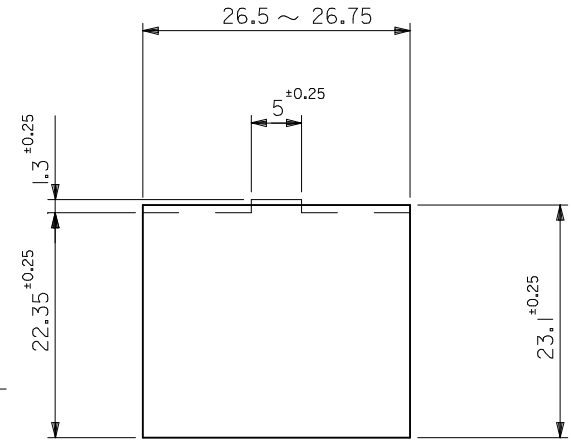
Standard .093" Pin and Socket Male Crimp Grounding Terminals	<u>1973</u>
2.36mm Diameter, Standard .093" Pin and Socket Male Crimp Terminals	<u>42138</u>

This document was generated on Jan 30, 2024

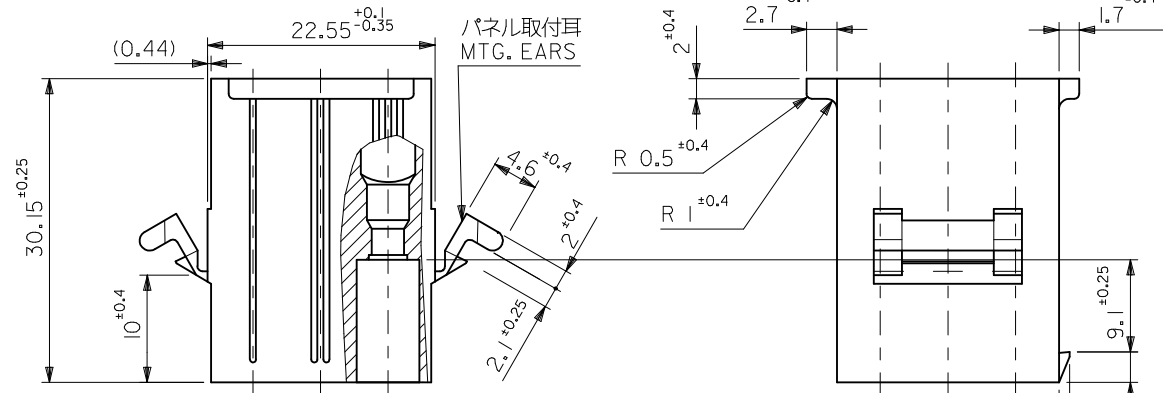
10 9 8 7 6 5 4 3 2 1



サーキット番号
CIRCUIT NO.

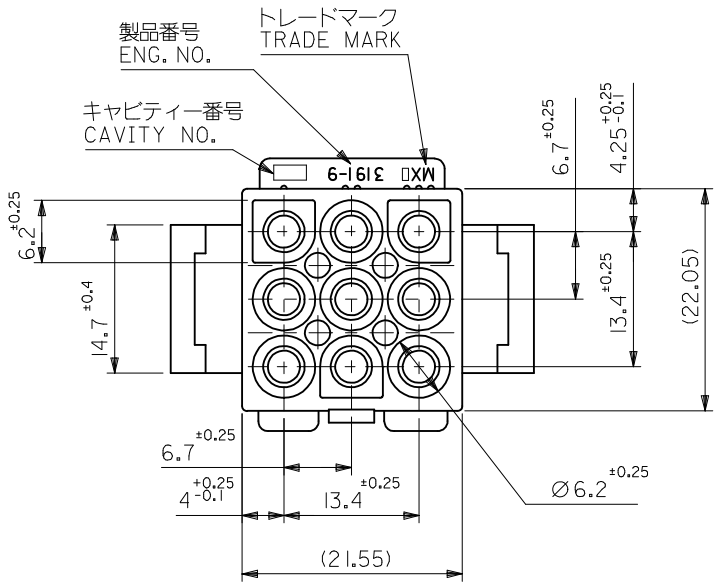


パネル取付穴推奨寸法 (厚さ 2.0 最大)
ハウジングの装着はパネル穴打抜き方向より行うこと
RECOMMENDED PANEL HOLE DIMENSION (THK. 2.0 MAX.)
ATTACH THE HOUSING FROM THE DIRECTION OF
PANEL HOLE PUNCHED OUT



パネル取付耳
MTG. EARS

注記
NOTE
() 内寸法は参考値
DIMENSIONS IN () ARE REFERENCE



製品番号
ENG. NO.

トレードマーク
TRADE MARK

キャビティー番号
CAVITY NO.

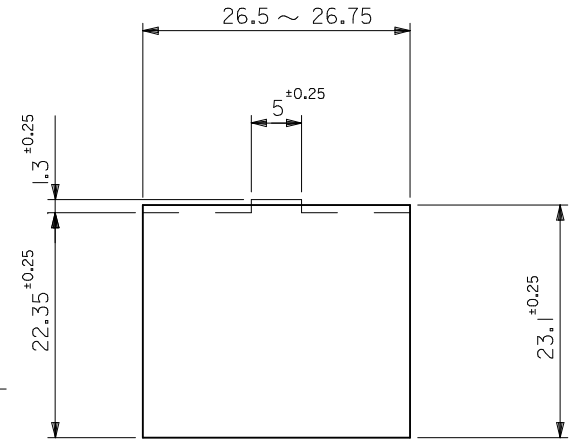
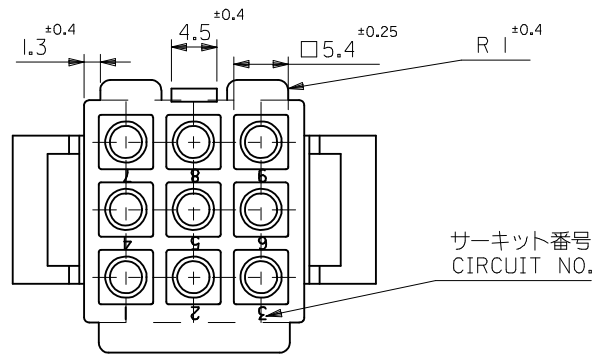
6-1619 MXW

REDRAWN EC NO.: J2013-0829 DRWN:SSAT002 CHKD:KASAKAWA APPR:YOITO 2013/01/25 2013/01/31 2013/04/16	GENERAL TOLERANCES (UNLESS SPECIFIED)	
	10 UNDER	± ---
	10 OVER 30 UNDER	± ---
	30 OVER	± ---
	ANGULAR ± --- °	
DRAFT WHERE APPLICABLE MUST REMAIN WITHIN DIMENSIONS		

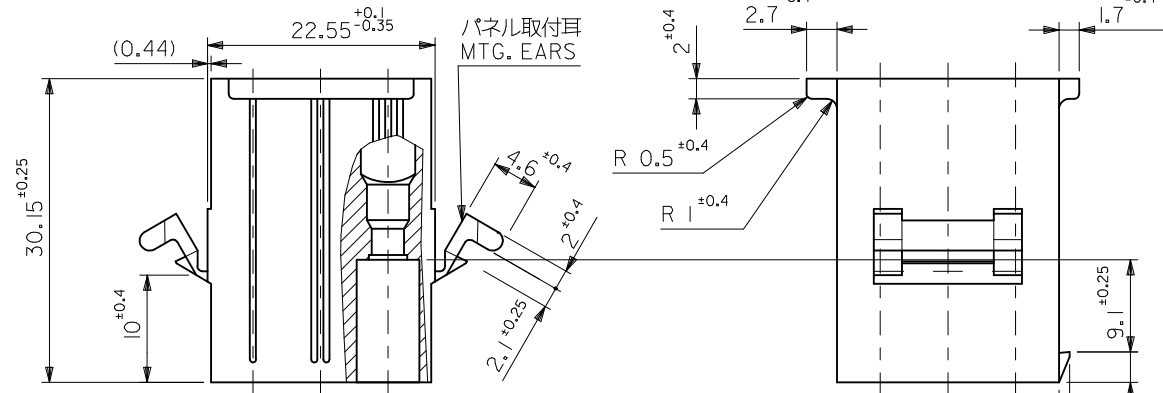
DIMENSION STYLE MM ONLY		SCALE 2:1	DESIGN UNITS METRIC	THIRD ANGLE PROJECTION
DRAWN BY SSAT002	DATE 2013/01/25	TITLE 9 CKT. PLUG HS (.093 DIA. TERMINAL)		
CHECKED BY KASAKAWA	DATE 2013/01/31			
APPROVED BY YOITO	DATE 2013/04/16			
MATERIAL NO. SEE CHART	DOCUMENT NO. SD-3191-018	SHEET NO. 1 OF 1		
SIZE A3 THIS DRAWING CONTAINS INFORMATION THAT IS PROPRIETARY TO MOLEX INCORPORATED AND SHOULD NOT BE USED WITHOUT WRITTEN PERMISSION				

9 8 7 6 5 4 3 2

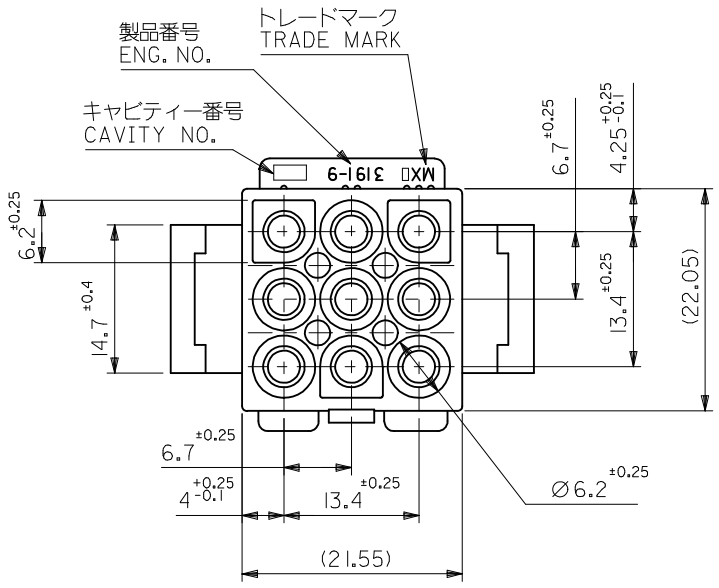
10 9 8 7 6 5 4 3 2 1



パネル取付穴推奨寸法 (厚さ 2.0 最大)
ハウジングの装着はパネル穴打抜き方向より行うこと
RECOMMENDED PANEL HOLE DIMENSION (THK. 2.0 MAX.)
ATTACH THE HOUSING FROM THE DIRECTION OF
PANEL HOLE PUNCHED OUT



注記
NOTE
() 内寸法は参考値
DIMENSIONS IN () ARE REFERENCE



39-03-6091	3191-09P-201	NYLON66	94V-0
39-03-6090	3191-09P	NYLON66	94V-2
POLYBAG PACKAGE	モデル番号 MODEL No.	材質 MATERIAL	UL
オーダー番号 ORDER NO.			

REDRAWN EC NO.: J2013-0829 DRWN:SSAT002 2013/01/25 CHKD:KASAKAWA 2013/01/31 APPR:YOITO 2013/04/16 REV: O	DESCRIPTION GENERAL TOLERANCES (UNLESS SPECIFIED) 10 UNDER ± --- 10 OVER 30 UNDER ± --- 30 OVER ± --- ANGULAR ± --- ° DRAFT WHERE APPLICABLE MUST REMAIN WITHIN DIMENSIONS	DIMENSION STYLE MM ONLY	SCALE 2:1	DESIGN UNITS METRIC	THIRD ANGLE PROJECTION	
		DRAWN BY SSAT002	DATE 2013/01/25	TITLE 9 CKT. PLUG HS (.093 DIA. TERMINAL)		
		CHECKED BY KASAKAWA	DATE 2013/01/31	MATERIAL NO. SEE CHART		
		APPROVED BY YOITO	DATE 2013/04/16	DOCUMENT NO. SD-3191-018	SHEET NO. 1 OF 1	

9 8 7 6 5 4 3 2