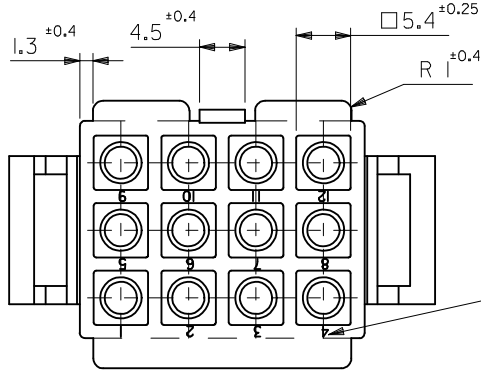
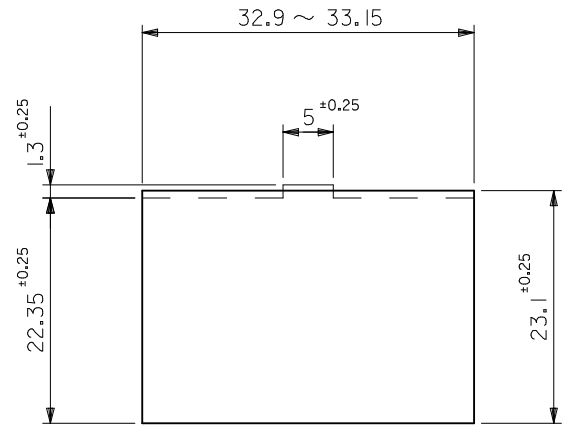


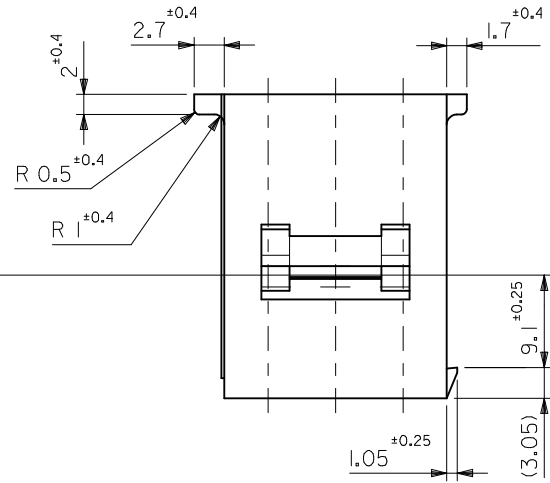
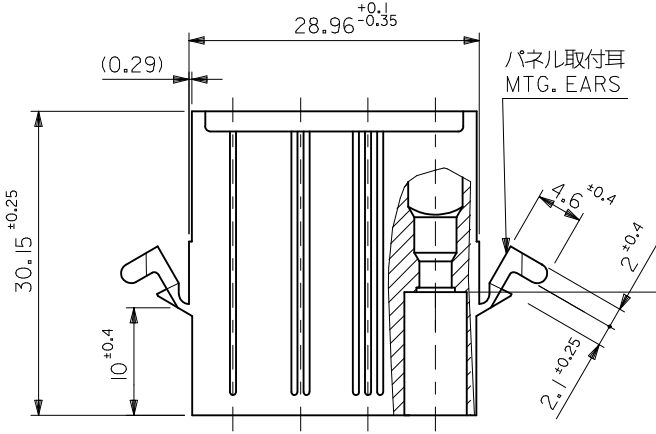
勝特力電材超市-龍山店 886-3-5773766
 勝特力電材超市-光復店 886-3-5729570
 勝特力電子(上海) 86-21-34970699
 勝特力電子(深圳) 86-755-83298787
<http://www.100y.com.tw>



サーキット番号
CUIRCUIT NO.

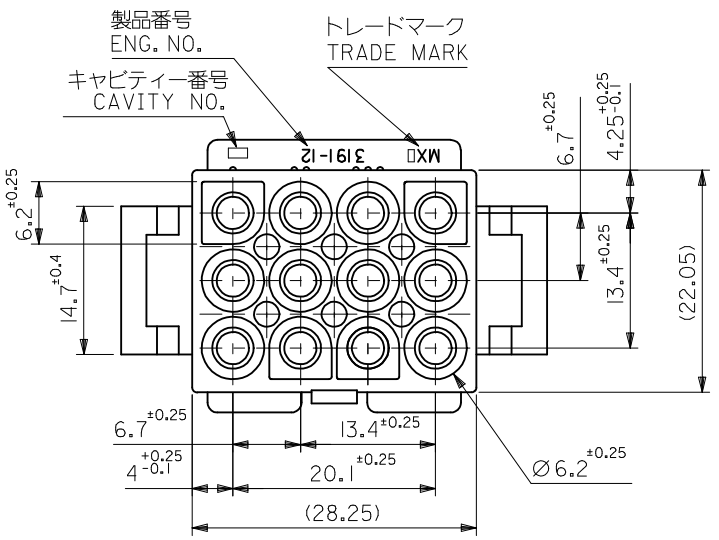


パネル取付穴推奨寸法 (厚さ2.0最大)
 ハウジングの装着はパネル穴打抜き方向より行うこと
 RECOMMENDED PANEL HOLE DIMENSION (THK. 2.0 MAX.)
 ATTACH THE HOUSING FROM THE DIRECTION OF
 PANEL HOLE PUNCHED OUT



パネル取付耳
MTG. EARS

注記
NOTE
() 内寸法は参考値
DIMENSIONS IN () ARE REFERENCE



39-03-6121	3191-12P-201	NYLON66	94V-0
39-03-6120	3191-12P	NYLON66	94V-2
POLYBAG PACKAGE	モデル番号 MODEL No.	材質 MATERIAL	UL
オーダー番号 ORDER NO.			

REDRAWN EC NO: J2013-0829 DRWN:SSATO02 CHKD:KASAKAWA APPR:YOITO 2013/01/28 2013/01/31 2013/04/16	GENERAL TOLERANCES (UNLESS SPECIFIED)		DIMENSION STYLE	SCALE	DESIGN UNITS	THIRD ANGLE PROJECTION	
	10 UNDER ±---		MM ONLY	2:1	METRIC		
	10 OVER 30 UNDER ±---		DRAWN BY	DATE	TITLE		
	30 OVER ±---		SSATO02	2013/01/28	12 CKT. PLUG HSG (.093 DIA. TERMINAL)		
REV O	ANGULAR ±---°		CHECKED BY	DATE	DOCUMENT NO.		
	DRAFT WHERE APPLICABLE MUST REMAIN WITHIN DIMENSIONS		KASAKAWA	2013/01/31	SD-3191-021		
			APPROVED BY	DATE	SHEET NO.		
			YOITO	2013/04/16	1 OF 1		
		MATERIAL NO.		SEE CHART			
		SIZE A3		THIS DRAWING CONTAINS INFORMATION THAT IS PROPRIETARY TO MOLEX INCORPORATED AND SHOULD NOT BE USED WITHOUT WRITTEN PERMISSION			



产品编号：[39036120](#)

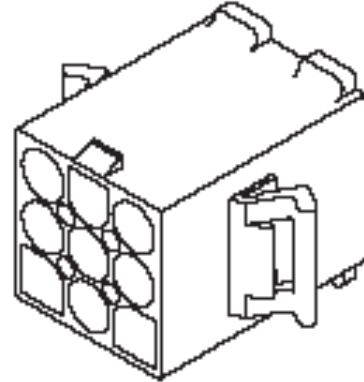
Product Description：2.36mm Diameter Standard .093" Pin and Socket Plug Housing with Positive Latch, UL 94V-2, Panel Mount, without Panel Mount, 12 Circuits

系列号：3191

状态：Active

Product Category：Connector Housings

工程编号：3191-12P



文件和资源

图纸

[图纸 039036120_sd.pdf](#)

3D 模型和设计文件

[3D模型 039036120_stp.zip](#)

规格

[包装规格 SPK-3191-001-001.pdf](#)

[产品规格 PS-3191-001-001.pdf](#)

产物环境合规

合规

GADSL/IMDS	Not Relevant
China RoHS	
EU ELV	Not Relevant
Low-Halogen Status	Low-Halogen per IEC 61249-2-21
REACH SVHC	Not Contained per D(2023)3788-DC (14 Jun 2023)
EU RoHS	Compliant per EU 2015/863

[多部分产品合规性声明](#)

- Eu RoHS
- REACH SVHC
- Low-Halogen

[多部分行业合规性文件](#)

- IPC 1752A Class C
- IPC 1752A Class D
- Molex Product Compliance Declaration
- IEC-62474
- chemSHERPA (xml)

欧盟 RoHS 合格证书

产品详情

常规

状态	活动
类别	Connector Housings
系列	3191
说明	2.36mm Diameter Standard .093" Pin and Socket Plug Housing with Positive Latch, UL 94V-2, Panel Mount, without Panel Mount, 12 Circuits
应用	Power, Wire-to-Board, Wire-to-Wire
个评论	Polarized to Mating Part
产品系列	Standard .093" Pin and Socket Connectors
产品名称	Standard .093"
UPC	800753756649

机构

CSA	LR19980
UL	E29179

电气

每触点最大电流	7.0A
---------	------

物理

断开	否
电路详图	3x4
电路数 (最多)	12
颜色-树脂	Natural
阻燃性	94V-2

性别	Plug
符合灼热丝规范	否
插接极性	无
锁定插接部位	是
材料 - 树脂	Nylon
净重	14342.000/mg
行数	3
包装形式	Bag
面板安装式	是
间距 - 插配接口	6.70mm
有极性的插配件	是
可堆叠的	否
运行温度范围	-40° to +105° C

可配插/可连接使用的产品

可配插部件

描述	产品编号
2.36mm Diameter Standard .093" Pin and Socket Receptacle Housing with Positive Latch, UL 94V-2, without Panel Mount, 12 Circuits	<u>0039036124</u>
Standard .093" Pin and Socket Vertical Headers	<u>5219</u>

可连接使用部件

描述	产品编号
Standard .093" Pin and Socket Female Crimp Terminals	<u>1189</u>
Standard .093" Pin and Socket Female Crimp Terminals	<u>1381</u>
Standard .093" Pin and Socket Female Crimp Terminal	<u>4550</u>
Standard .093" Pin and Socket Male Crimp Terminals	<u>1190</u>
Standard .093" Pin and Socket Male Crimp Terminals	<u>1380</u>
Standard .093" Pin and Socket Male Crimp Terminal	<u>1434</u>

Standard .093" Pin and Socket Male Crimp Grounding Terminals	<u>1973</u>
2.36mm Diameter, Standard .093" Pin and Socket Male Crimp Terminals	<u>42138</u>

This document was generated on Dec 11, 2023