



产品编号 : 39281063

系列号 : 5566

Product Category : PCB Headers and Receptacles

Product Description : Mini-Fit Jr. Vertical Header, 4.20mm Pitch, Dual Row, 6 Circuits, without Snap-in Plastic Peg PCB Lock, Tin, Natural

状态 : Active

工程编号 : 5566-06A

文件和资源

图纸

图纸 039281063_sd.pdf

包装设计图 PK-5566-000.pdf

3D 模型和设计文件

3D模型 039281063_stp.zip

规格

应用规格 AS-5557-001-001.pdf


包装规格 PK-5566-003-001.pdf

产品规格 PS-5556-001-001.pdf

测试摘要 TS-5556-002-001.pdf

产物环境合规

合规

GADSL/IMDS	Not Relevant
China RoHS	
EU ELV	Not Relevant
Low-Halogen Status	Low-Halogen per IEC 61249-2-21
REACH SVHC	Not Contained per D(2023)8585-DC (23 Jan 2024)
EU RoHS	Compliant per EU 2015/863

多部分产品合规性声明

- Eu RoHS
- REACH SVHC
- Low-Halogen
- IPC 1752A Class C

- IPC 1752A Class D
- Molex Product Compliance Declaration
- IEC-62474
- chemSHERPA (xml)

欧盟 RoHS 合格证书

产品详情

常规

状态	活动
类别	PCB Headers and Receptacles
系列	5566
说明	Mini-Fit Jr. Vertical Header, 4.20mm Pitch, Dual Row, 6 Circuits, without Snap-in Plastic Peg PCB Lock, Tin, Natural
应用	Power, Wire-to-Board
个评论	The 5566 header should be used with standard Mini-Fit female terminals. If increased amperage of up to 13A per circuit is needed, please consider using the Mini-Fit Plus HCS family 45750 terminals with 46015 headers; See Molex Product specification PS-5666-001 for current de-rating information.
元件类型	PCB Header
产品系列	Mini-Fit Family Power Connectors
产品名称	Mini-Fit Jr.
UPC	800753628700

机构

CSA	LR19980
UL	E29179

电气

每触点最大电流	9.0A
电压 - 最大	600V

物理

断开	否
----	---

回路数 (已载入)	6
电路数 (最多)	6
颜色-树脂	Natural
耐用性(插拔次数) - 最多次数	30
先接后断	否
阻燃性	94V-2
符合灼热丝规范	否
可配插产品指南	否
插接极性	无
锁定插接部位	是
材料 - 金属	Brass
材料 - 接合部位电镀	Tin
材料 - 终端电镀	Tin
材料 - 树脂	Nylon
净重	1.410/g
行数	2
方向	垂直
包装形式	Bag
PC 焊脚长度	3.50mm
PCB 定位器	是
PCB 保持力	无
推荐的 PCB 厚度	1.60mm
间距 - 插配接口	4.20mm
间距 - 终端界面	4.20mm
最薄镀层 - 接合部位	0.889µm
最薄镀层 - 端接	0.889µm
有极性的插配件	是
PCB 极性	是
有护墙的	Fully
可堆叠的	否
运行温度范围	-40° to +105° C
终端界面类型	Through Hole

进程

最长持续时间	5
--------	---

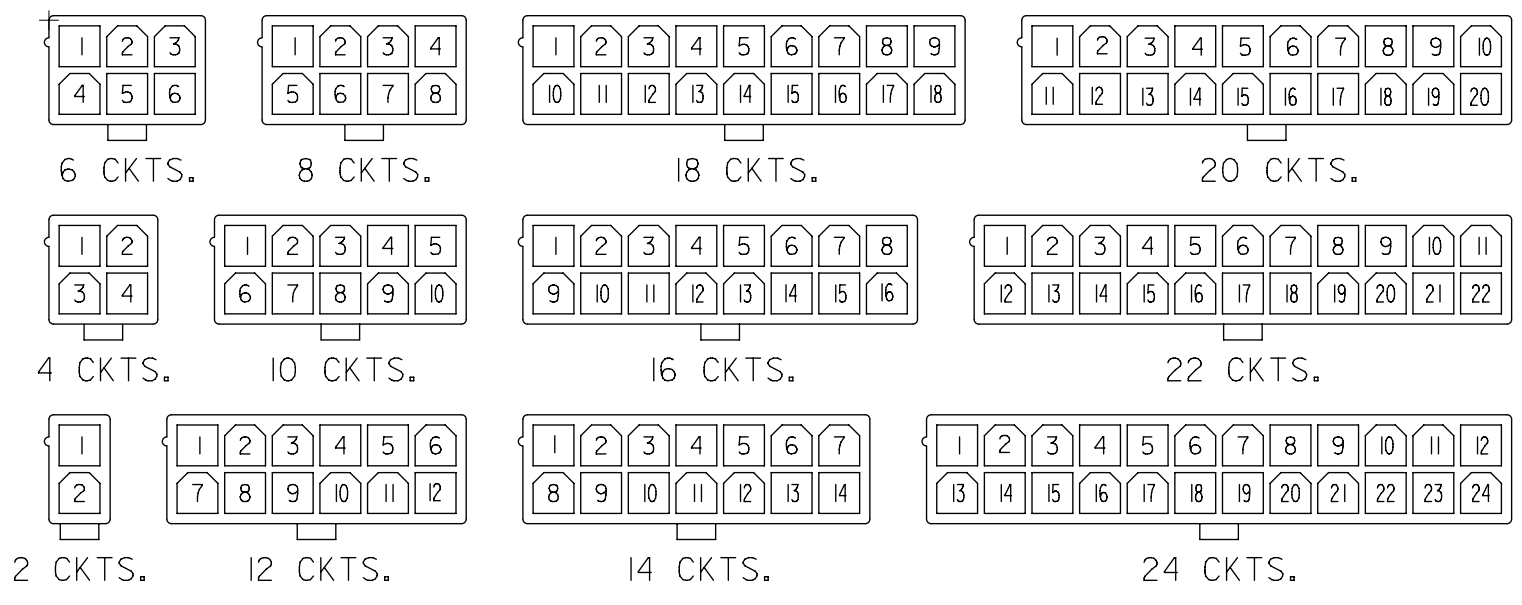
无铅	WAVE
最大周期	1
最高温度	240

可配插/可连接使用的产品

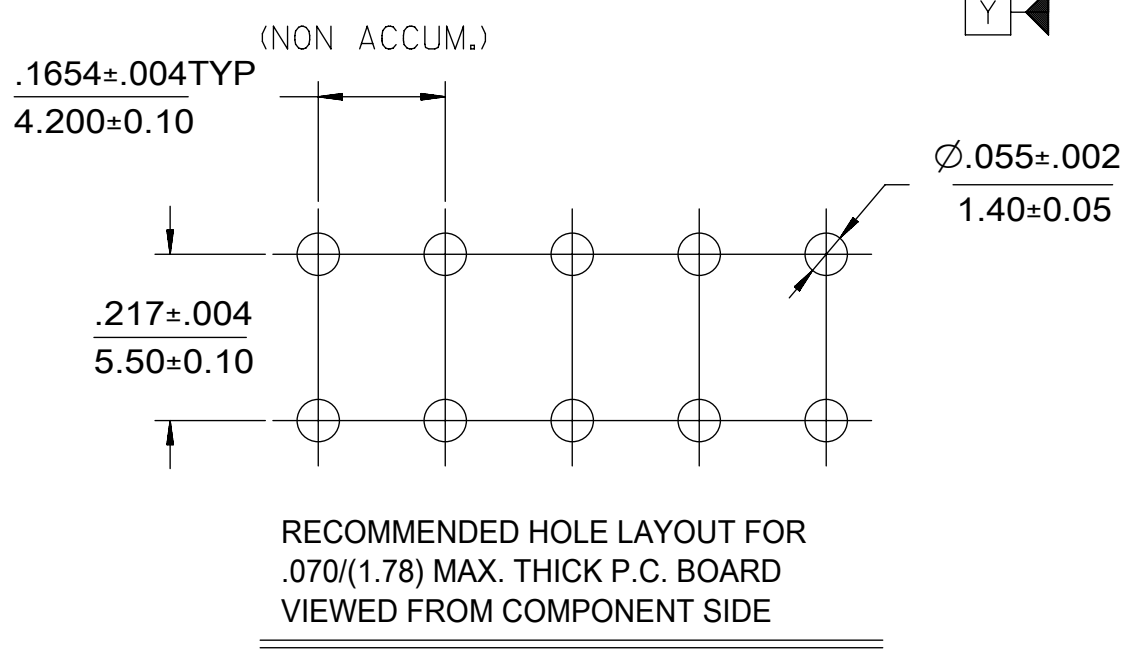
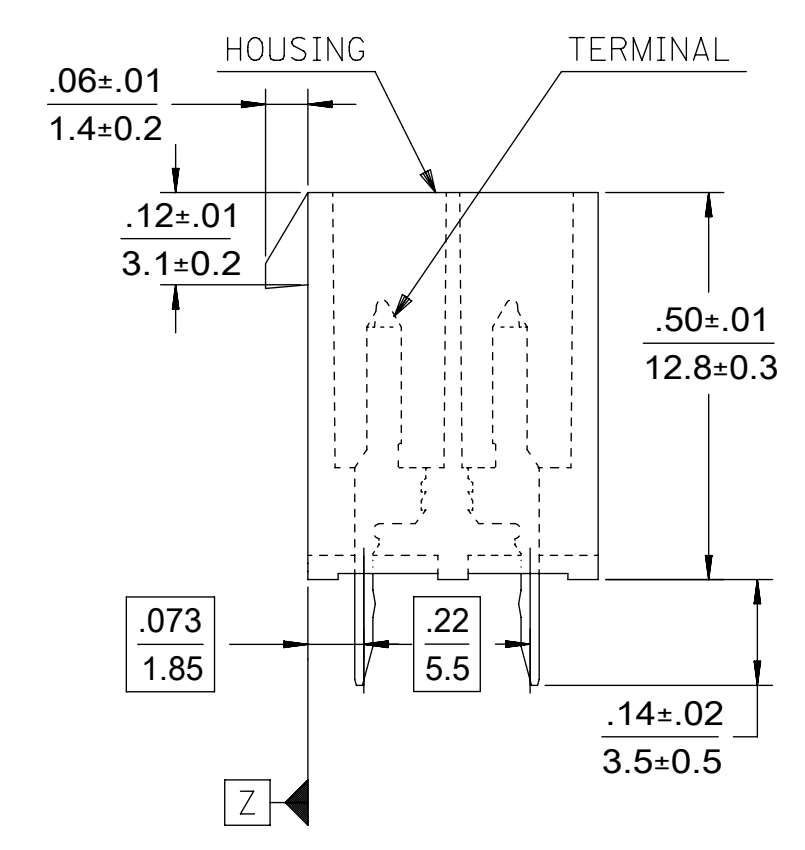
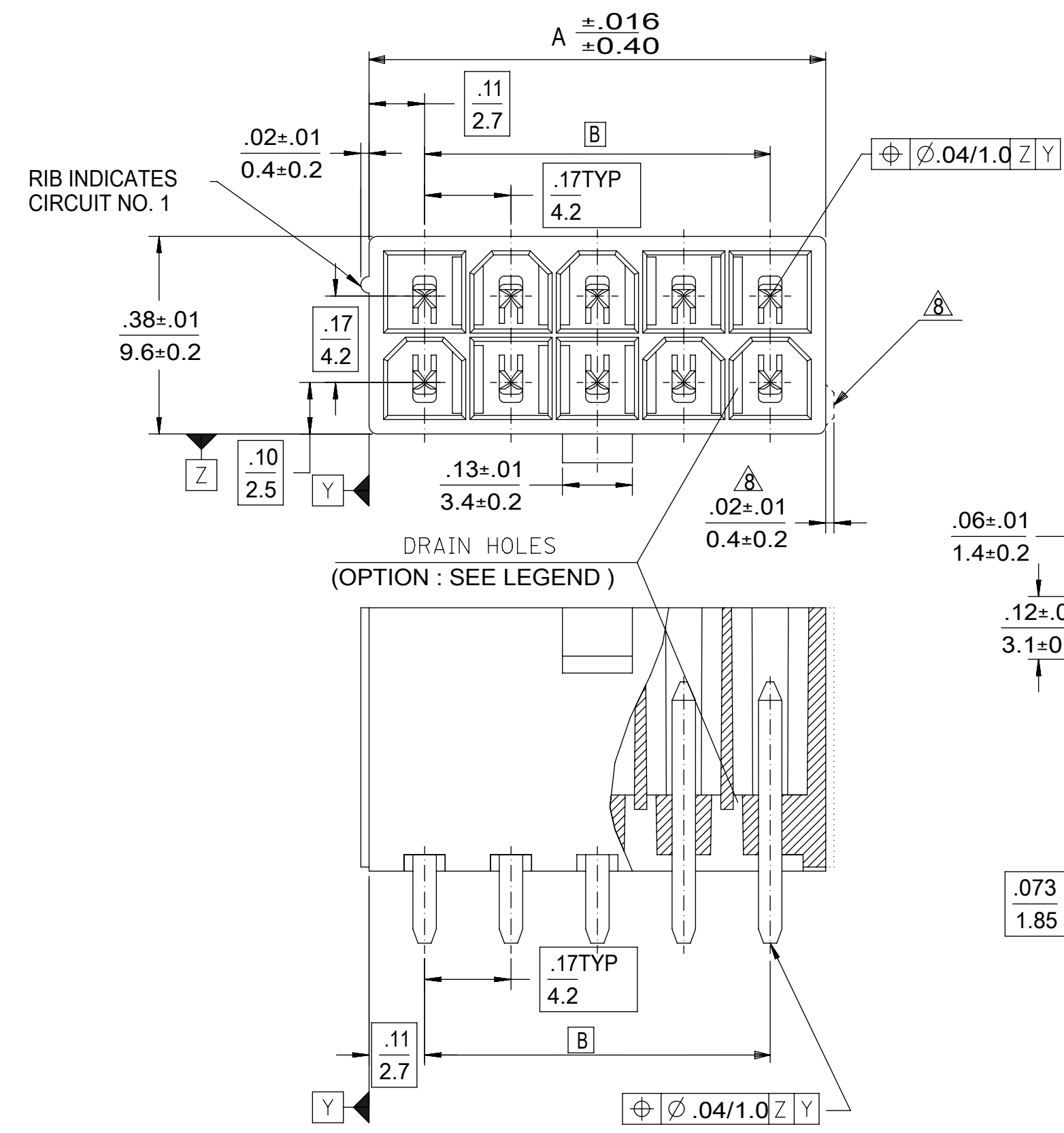
可配插部件

描述	产品编号
Mini-Fit Jr. Receptacle Housings	<u>5557</u>
Mini-Fit TPA2-to-Mini-Fit TPA2 Off-the-Shelf (OTS) Cable Assemblies	<u>45135</u>
Mini-Fit TPA2 and Mini-Fit Sigma Dual Row Receptacle Housings	<u>172708</u>
Mini-Fit Jr.-to-Mini-Fit Jr. Off- the-Shelf (OTS) Overmolded Cable Assemblies	<u>245135</u>

CIRCUIT SIZE	DIM. "A"	DIM. "B"
2	.21 (5.4)	—
4	.38 (9.6)	.17 (4.2)
6	.54 (13.8)	.33 (8.4)
8	.71 (18.0)	.50 (12.6)
10	.87 (22.2)	.66 (16.8)
12	1.04 (26.4)	.83 (21.0)
14	1.20 (30.6)	.99 (25.2)
16	1.37 (34.8)	1.16 (29.4)
18	1.54 (39.0)	1.32 (33.6)
20	1.70 (43.2)	1.49 (37.8)
22	1.87 (47.4)	1.65 (42.0)
24	2.03 (51.6)	1.82 (46.2)

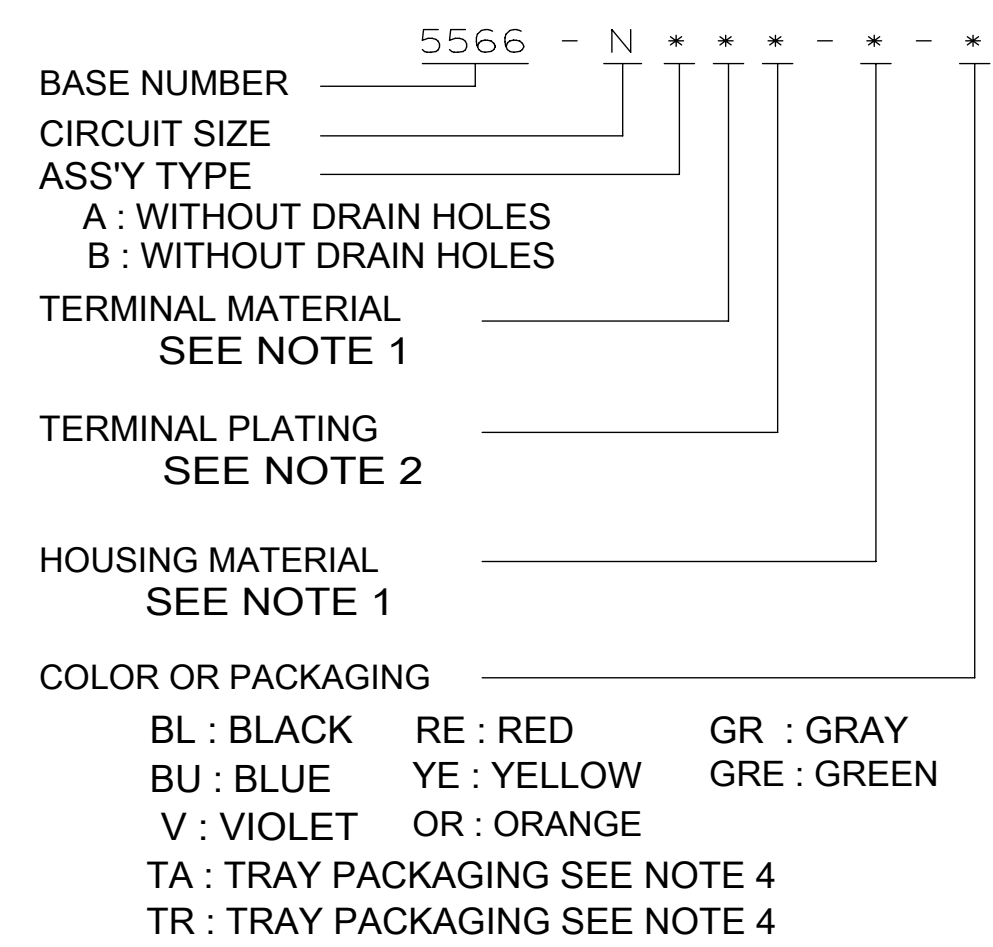


CIRCUIT SIZE LAYOUT



- NOTES:
- MATERIALS:
HOUSING:
"BLANK"=NYLON 6/6, UL94V-2, COLOR: NATURAL
"210" =NYLON 6/6, UL94V-0, COLOR: NATURAL
"400"=NYLON 6/6, UL94V-0, COLOR: BLACK
TERMINALS:
"BLANK" = BRASS
"PB" = PHOSPHOR BRONZE
 - TERMINAL PLATING:
"BLANK" = REFLOWED MATTE TIN .000035/(0.00090) MIN.
OVER COPPER .000020/(0.00050) MIN. (BRASS) (PREPLATE)
OR REFLOWED MATTE TIN .000035/(0.00090) MIN. (PHOSPHOR BRONZE) (PREPLATE)
(FINISH IS BRIGHT IN APPEARANCE, THICKNESS AS APPLIED PRIOR TO REFLOW)
"S"=.000100/(0.00254) MIN. BRIGHT TIN OVER
.000050/(0.00127) MIN NICKEL
"MS"=.000100/(0.00254) MIN. MATTE TIN OVER
.000050/(0.00127) MIN NICKEL
"GS2"=.000015/(0.00038) MIN. SELECT GOLD AND
.000100/(0.00254) MIN. SELECT MATTE TIN
OVER .000050/(0.00127) MIN. NICKEL OVERALL
"GS"=.000030/(0.00076) MIN. SELECT GOLD AND
.000100/(0.00254) MIN. SELECT MATTE TIN
OVER .000050/(0.00127) MIN. NICKEL OVERALL
 - PRODUCT SPECIFICATION: PS-5556-001
 - PACKAGING: "BLANK"= BULK PACKED.
"TA"=TRAY PACK PER PK-5566-001, "TR"=TRAY PACK PER PK-5566
 - PART MATES WITH MINI-FIT JR. RECEPTACLE NO. 5557.
 - PART IS NOT DESIGNED FOR CURRENT SHARING.
 - PARTS ARE NOT DESIGNED TO BE MATED OR UN-MATED WHILE CIRCUITS ARE LIVE.
 - ANTI-SHINGLING RIB MAY OR MAY NOT APPEAR ON HOUSINGS.
 - PART CONFORMS TO CLASS "B" REQUIREMENTS OF COSMETIC SPECIFICATION PS-45499-002.
 - TEXT ON PART IS FOR REFERENCE ONLY. TEXT AND TEXT LOCATION MAY VARY DEPENDING ON PART NUMBER AND/OR TOOL.

LEGEND



THIS DRAWING CONTAINS INFORMATION THAT IS PROPRIETARY TO MOLEX ELECTRONIC TECHNOLOGIES, LLC AND SHOULD NOT BE USED WITHOUT WRITTEN PERMISSION											
DIMENSION UNITS IN/MM		SCALE 4:1		CURRENT REV DESC: OBSOLETE PART NUMBER AS PER PCN#511877				molex		MINI FIT JR VERTICAL HEADER ASSEMBLIES WITHOUT PEGS	
GENERAL TOLERANCES (UNLESS SPECIFIED)				EC NO: 693980 DRWN: ABHISP1 2022/05/13 CHK'D: GGA 2022/05/18 APPR: GGA 2022/05/18							
4 PLACES ±		±		INITIAL REVISION:				DOCUMENT NUMBER		DOC TYPE DOC PART REVISION	
3 PLACES ±		± 0.005		DRWN: H.HIRAMOTO 1989/04/03				SD-5566-002		PSD 000 M5	
2 PLACES ±		± 0.13 ± 0.01		APPR: FSMITH 2012/05/04				MATERIAL NUMBER		CUSTOMER	
1 PLACE ±		±		DRAWING				SEE TABLE		GENERAL MARKET	
0 PLACES ±		±		SERIES				C-SIZE		5566	
ANGULAR TOL ± 0.5 °				THIRD ANGLE PROJECTION				SHEET NUMBER		1 OF 5	
DRAFT WHERE APPLICABLE MUST REMAIN WITHIN DIMENSIONS				DRAWING				C-SIZE		5566	

DOCUMENT STATUS	P1	RELEASE DATE	2022/05/18 11:56:17
-----------------	----	--------------	---------------------

	12	11	10	9	8	7	6	5	4	3	2	1		
H				39-30-9245	5566-24AGS2-210	39-29-6248	5566-24AGS-210				39-28-8240	5566-24A-210	24	
				39-30-9225	5566-22AGS2-210	39-29-6228	5566-22AGS-210				39-28-8220	-22A-210	22	
				39-30-9205	5566-20AGS2-210	39-29-6208	5566-20AGS-210				39-28-8200	-20A-210	20	
				39-30-9185	5566-18AGS2-210	39-29-6188	5566-18AGS-210				39-28-8180	-18A-210	18	
				39-30-9165	5566-16AGS2-210	39-29-6168	5566-16AGS-210	39-30-6162	5566-16AS-210		39-28-8160	-16A-210	16	
				39-30-9145	5566-14AGS2-210	39-29-6148	5566-14AGS-210				39-28-8140	-14A-210	14	
				39-30-9125	5566-12AGS2-210	39-29-6128	5566-12AGS-210				39-28-8120	-12A-210	12	
				39-30-9105	5566-10AGS2-210	39-29-6108	5566-10AGS-210				39-28-8100	-10A-210	10	
				39-30-9085	5566-08AGS2-210	39-29-6088	5566-08AGS-210	39-30-6082	5566-08AS-210		39-28-8080	-08A-210	8	
				39-30-9065	5566-06AGS2-210	39-29-6068	5566-06AGS-210	39-30-6062	5566-06AS-210		39-28-8060	-06A-210	6	
G				39-30-9045	5566-04AGS2-210	39-29-6048	5566-04AGS-210	39-30-6042	5566-04AS-210		39-28-8040	-04A-210	4	
				39-30-9025	5566-02AGS2-210	39-29-6028	5566-02AGS-210				39-28-8020	5566-02A-210	2	
	EDP NO.	ENG. NO.	EDP NO.	ENG. NO.	EDP NO.	ENG. NO.	EDP NO.	ENG. NO.	EDP NO.	ENG. NO.	EDP NO.	ENG. NO.	CKT. SIZE	
	5566-NAPB-210			5566-NAGS2-210			5566-NAGS-210			5566-NAS-210			5566-NA-210	
				39-30-9244	5566-24AGS2	39-29-0243	5566-24AGS				39-28-1243	5566-24A	24	
F				39-30-9224	5566-22AGS2						39-28-1223	5566-22A	22	
				39-30-9204	5566-20AGS2	39-29-0203	5566-20AGS				39-28-1203	5566-20A	20	
				39-30-9184	5566-18AGS2	39-29-0183	5566-18AGS				39-28-1183	5566-18A	18	
				39-30-9164	5566-16AGS2						39-28-1163	5566-16A	16	
				39-30-9144	5566-14AGS2						39-28-1143	5566-14A	14	
				39-30-9124	5566-12AGS2	39-29-0123	5566-12AGS				39-28-1123	5566-12A	12	
				39-30-9104	5566-10AGS2	39-29-0103	5566-10AGS	39-30-6101	5566-10AS		39-28-1103	5566-10A	10	
				39-30-9084	5566-08AGS2	39-29-0083	5566-08AGS	39-30-6081	5566-08AS		39-28-1083	5566-08A	8	
				39-30-9064	5566-06AGS2	39-29-0063	5566-06AGS				39-28-1063	5566-06A	6	
				39-30-9044	5566-04AGS2	39-29-0043	5566-04AGS				39-28-1043	5566-04A	4	
E				39-30-9024	5566-02AGS2	39-29-0023	5566-02AGS				39-28-1023	5566-02A	2	
	EDP NO.	ENG. NO.	EDP NO.	ENG. NO.	EDP NO.	ENG. NO.	EDP NO.	ENG. NO.	EDP NO.	ENG. NO.	EDP NO.	ENG. NO.	CKT. SIZE	
	5566-NAPB			5566-NAGS2			5566-NAGS			5566-NAS			5566-NA	

PARTS WITHOUT DRAIN HOLES

THIS DRAWING CONTAINS INFORMATION THAT IS PROPRIETARY TO MOLEX ELECTRONIC TECHNOLOGIES, LLC AND SHOULD NOT BE USED WITHOUT WRITTEN PERMISSION											
DIMENSION UNITS IN/MM		SCALE 1:1		CURRENT REV DESC: OBSOLETE PART NUMBER AS PER PCN#511877				molex			
GENERAL TOLERANCES (UNLESS SPECIFIED)				EC NO: 693980							
		MM		INCH		DRWN: ABHISP1		2022/05/18		MINI FIT JR VERTICAL HEADER ASSEMBLIES WITHOUT PEGS	
4 PLACES		±		±		CHK'D: GGA		2022/05/18			
3 PLACES		±		± 0.005		APPR: GGA		2022/05/18			
2 PLACES		± 0.13		± 0.01		INITIAL REVISION:		1989/04/03		PRODUCT CUSTOMER DRAWING	
1 PLACE		± 0.25		±		DRWN: H.HIRAMOTO		2012/05/04			
0 PLACES		±		±		APPR: FSMITH		2012/05/04		DOCUMENT NUMBER SD-5566-002	
ANGULAR TOL		± 0.5 °		±		THIRD ANGLE PROJECTION		DRAWING			
DRAFT WHERE APPLICABLE MUST REMAIN WITHIN DIMENSIONS						C-SIZE		SERIES 5566		DOC PART 000	
DOCUMENT STATUS		P1		RELEASE DATE		2022/05/18 11:56:17		MATERIAL NUMBER SEE TABLE		CUSTOMER GENERAL MARKET	
								SHEET NUMBER 2 OF 5			

H

G

F

E

D

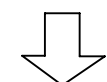
C

B

A

						24	
						22	
						20	
						18	
		39-31-0168	5566-16BGS-210	39-31-0160	5566-16B-210	16	
		39-31-0148	5566-14BGS-210	39-31-0140	5566-14B-210	14	
		39-31-0128	5566-12BGS-210	39-31-0120	5566-12B-210	12	
		39-31-0108	5566-10BGS-210	39-31-0100	5566-10B-210	10	
		39-31-0088	5566-08BGS-210	39-31-0080	5566-08B-210	8	
		39-31-0068	5566-06BGS-210	39-31-0060	5566-06B-210	6	
		39-31-0048	5566-04BGS-210	39-31-0040	5566-04B-210	4	
		39-31-0028	5566-02BGS-210	39-31-0020	5566-02B-210	2	
		EDP NO.	ENG. NO.	EDP NO.	ENG. NO.	CKT. SIZE	
		5566-NBGS-210		5566-NB-210			
						24	
						22	
		39-31-0207	5566-20BGS	39-29-3206	5566-20B	20	
						18	
		39-31-0167	5566-16BGS	39-29-3166	5566-16B	16	
		39-31-0147	5566-14BGS	39-29-3146	5566-14B	14	
				39-29-3126	5566-12B	12	
		39-31-0107	5566-10BGS	39-29-3106	5566-10B	10	
		39-31-0087	5566-08BGS	39-29-3086	5566-08B	8	
		39-31-0067	5566-06BGS	39-29-3066	5566-06B	6	
	39-30-9046	5566-04BGS2	39-31-0047	5566-04BGS	39-29-3046	5566-04B	4
			39-31-0027	5566-02BGS	39-29-3026	5566-02B	2
		EDP NO.	ENG. NO.	EDP NO.	ENG. NO.	CKT. SIZE	
		5566-NBGS2		5566-NBGS		5566-NB	

PARTS WITH DRAIN HOLES



PARTS WITH/OUT DRAIN HOLES

PENDING OBSOLETE

-NOT RECOMENDED FOR NEW APPLICATIONS
-NO WITH DRAIN HOLE VERSION PRODUCT

THIS DRAWING CONTAINS INFORMATION THAT IS PROPRIETARY TO MOLEX ELECTRONIC TECHNOLOGIES, LLC AND SHOULD NOT BE USED WITHOUT WRITTEN PERMISSION										
DIMENSION UNITS IN/MM		SCALE 1:1		CURRENT REV DESC: OBSOLETE PART NUMBER AS PER PCN#511877			molex			
GENERAL TOLERANCES (UNLESS SPECIFIED)				EC NO: 693980						
		MM	INCH	DRWN: ABHISP1 2022/05/13			MINI FIT JR VERTICAL HEADER ASSEMBLIES WITHOUT PEGS			
4 PLACES ±		±	±	CHK'D: GGA 2022/05/18						
3 PLACES ±		± 0.005	±	APPR: GGA 2022/05/18			PRODUCT CUSTOMER DRAWING			
2 PLACES ±		0.13	± 0.01	INITIAL REVISION:						
1 PLACE ±		0.25	±	DRWN: H.HIRAMOTO 1989/04/03			DOCUMENT NUMBER SD-5566-002			
0 PLACES ±		±	±	APPR: FSMITH 2012/05/04						DOC TYPE PSD
ANGULAR TOL ±		0.5 °		THIRD ANGLE PROJECTION			MATERIAL NUMBER SEE TABLE	CUSTOMER GENERAL MARKET		SHEET NUMBER 3 OF 5
DRAFT WHERE APPLICABLE MUST REMAIN WITHIN DIMENSIONS				DRAWING C-SIZE		SERIES 5566				

COLORED PART NUMBERS

						24
						22
						20
46999-0085	5566-18AS-RE					18
						16
						14
						12
				46999-0087	5566-10AS-V	10
						8
		46999-0089	5566-08AS-OR			6
						4
						2
EDP. NO.	ENG. NO.	EDP. NO.	ENG. NO.	EDP. NO.	ENG. NO.	CKT. SIZE
5566-NAS-RE		5566-NAS-OR		5566-NAS-V		

TRAY PACKED PER TA Δ 4	46999-0575	5566-24AMS-400	TRAY PACKED PER TA Δ 4							24	
	46999-0574	5566-22AMS-400									22
	46999-0573	5566-20AMS-400									20
	46999-0572	5566-18AMS-400									18
	46999-0571	5566-16AMS-400									16
	46999-0570	5566-14AMS-400									14
	46999-0569	5566-12AMS-400									12
	46999-0568	5566-10AMS-400		46999-0876	5566-10AMS-RE						10
	46999-0567	5566-08AMS-400				46999-0091	5566-08AS-GRE				8
	46999-0566	5566-06AMS-400									6
	46999-0565	5566-04AMS-400									4
	46999-0564	5566-02AMS-400				50-36-2485	5566-02AS-GRE	39-34-5023	5566-02A-210-YE		
EDP. NO.	ENG. NO.	EDP. NO.	ENG. NO.	EDP. NO.	ENG. NO.	EDP. NO.	ENG. NO.	EDP. NO.	ENG. NO.	CKT. SIZE	
5566-NAMS-400		5566-NAMS-RE		5566-NAS-GRE		5566-NA-210-YE		5566-NA-400			
										24	
										22	
										20	
										18	
										16	
										14	
										12	
										10	
										8	
										6	
								39-33-3043	5566-04A-BL	4	
								39-33-3023	5566-02A-BL	2	
EDP. NO.	ENG. NO.	EDP. NO.	ENG. NO.	EDP. NO.	ENG. NO.	EDP. NO.	ENG. NO.	EDP. NO.	ENG. NO.	CKT. SIZE	
5566-NA-GR		5566-NA-YE		5566-NA-RE		5566-NA-BU		5566-NA-BL			

PARTS WITHOUT DRAIN HOLES

THIS DRAWING CONTAINS INFORMATION THAT IS PROPRIETARY TO MOLEX ELECTRONIC TECHNOLOGIES, LLC AND SHOULD NOT BE USED WITHOUT WRITTEN PERMISSION

DIMENSION UNITS	SCALE	CURRENT REV DESC: OBSOLETE PART NUMBER AS PER PCN#511877	molex		
IN/MM	1:1				
GENERAL TOLERANCES (UNLESS SPECIFIED)			MINI FIT JR VERTICAL HEADER ASSEMBLIES WITHOUT PEGS		
	MM	INCH	PRODUCT CUSTOMER DRAWING		
4 PLACES	±	±	EC NO: 693980	2022/05/13	DOCUMENT NUMBER
3 PLACES	±	± 0.005	DRWN: ABHISP1	2022/05/18	SD-5566-002
2 PLACES	± 0.13	± 0.01	CHK'D: GGA	2022/05/18	DOC TYPE
1 PLACE	± 0.25	±	APPR: GGA		PSD
0 PLACES	±	±	INITIAL REVISION:	1989/04/03	DOC PART
			DRWN: H.HIRAMOTO	2012/05/04	000
			APPR: FSMITH		M5
ANGULAR TOL	± 0.5 °		THIRD ANGLE PROJECTION	DRAWING	SHEET NUMBER
DRAFT WHERE APPLICABLE MUST REMAIN WITHIN DIMENSIONS				C-SIZE	4 OF 5
				SERIES	
				5566	
				MATERIAL NUMBER	
				SEE TABLE	
				CUSTOMER	
				GENERAL MARKET	

TRAY PACKED PART NUMBERS
PARTS WITHOUT DRAIN HOLES

TRAY PACKED PER TA \triangle 4	46999-0137	5566-24AMS	TRAY PACKED PER TA \triangle 4	46999-0149	5566-24AMS-210	24
	46999-0136	5566-22AMS		46999-0148	5566-22AMS-210	22
	46999-0135	5566-20AMS		46999-0147	5566-20AMS-210	20
	46999-0134	5566-18AMS		46999-0146	5566-18AMS-210	18
	46999-0133	5566-16AMS		46999-0145	5566-16AMS-210	16
	46999-0132	5566-14AMS		46999-0144	5566-14AMS-210	14
	46999-0131	5566-12AMS		46999-0143	5566-12AMS-210	12
	46999-0130	5566-10AMS		46999-0142	5566-10AMS-210	10
	46999-0129	5566-08AMS		46999-0141	5566-08AMS-210	8
	46999-0128	5566-06AMS		46999-0140	5566-06AMS-210	6
	46999-0127	5566-04AMS		46999-0139	5566-04AMS-210	4
	46999-0126	5566-02AMS		46999-0138	5566-02AMS-210	2
	EDP. NO.			ENG. NO.	EDP. NO.	
5566-NAMS			5566-NAMS-210			
						24
						22
						20
			39-53-9188	5566-18A-TA		18
						16
						14
						12
						10
						8
	46999-0630	5566-06AGS2-BL-TA				6
	46999-0629	5566-04AGS2-BL-TA				4
						2
	EDP. NO.	ENG. NO.	EDP. NO.	ENG. NO.		CKT. SIZE
	5566-NAGS2-BL-TA		5566-NA-TA			

THIS DRAWING CONTAINS INFORMATION THAT IS PROPRIETARY TO MOLEX ELECTRONIC TECHNOLOGIES, LLC AND SHOULD NOT BE USED WITHOUT WRITTEN PERMISSION

DIMENSION UNITS IN/MM	SCALE 1:1	CURRENT REV DESC: OBSOLETE PART NUMBER AS PER PCN#511877	molex		
GENERAL TOLERANCES (UNLESS SPECIFIED)					
4 PLACES \pm	MM	INCH	MINI FIT JR VERTICAL HEADER ASSEMBLIES WITHOUT PEGS		
3 PLACES \pm	\pm 0.005		PRODUCT CUSTOMER DRAWING		
2 PLACES \pm	0.13	\pm 0.01	DOCUMENT NUMBER		
1 PLACE \pm	0.25	\pm	SD-5566-002		
0 PLACES \pm			DOC TYPE	DOC PART	REVISION
ANGULAR TOL \pm	0.5 °		PSD	000	M5
DRAFT WHERE APPLICABLE MUST REMAIN WITHIN DIMENSIONS	THIRD ANGLE PROJECTION	DRAWING	SERIES	MATERIAL NUMBER	CUSTOMER
		C-SIZE	5566	SEE TABLE	GENERAL MARKET
					SHEET NUMBER
					5 OF 5