

产品编号 : 39291127

系列号 : 5569

Product Category : PCB Headers and Receptacles

Product Description : Mini-Fit Jr. Header, Dual Row, Right-Angle, with PCB Mounting Flange, 12 Circuits, PA Polyamide Nylon 6/6 94V-0, Tin (Sn) Plating

状态 : Active

工程编号 : 5569-12A1-210

文件和资源

图纸

图纸 039291127_sd.pdf

包装设计图 55690001-PK-000.pdf

3D 模型和设计文件

3D模型 039291127_stp.zip

规格

应用规格 AS-5557-001-001.pdf


包装规格 PK-5569-002-001.pdf

产品规格 PS-45750-001-001.pdf

产品规格 PS-5556-001-001.pdf

产物环境合规

合规

GADSL/IMDS	Not Relevant
China RoHS	
EU ELV	Not Relevant
Low-Halogen Status	Low-Halogen per IEC 61249-2-21
REACH SVHC	Not Contained per D(2023)8585-DC (23 Jan 2024)
EU RoHS	Compliant per EU 2015/863

多部分产品合规性声明

- Eu RoHS
- REACH SVHC
- Low-Halogen
- IPC 1752A Class C

- IPC 1752A Class D
- Molex Product Compliance Declaration
- IEC-62474
- chemSHERPA (xml)

欧盟 RoHS 合格证书

产品详情

常规

状态	活动
类别	PCB Headers and Receptacles
系列	5569
说明	Mini-Fit Jr. Header, Dual Row, Right-Angle, with PCB Mounting Flange, 12 Circuits, PA Polyamide Nylon 6/6 94V-0, Tin (Sn) Plating
应用	Power, Wire-to-Board
评论	Current = 13A max. per circuit when header is mated to a receptacle loaded with 45750 Mini-Fit Plus HCS Crimp Terminal Crimped to 16 AWG wire. See Molex Product specification PS-5556-001 for additional current de-rating information.
元件类型	PCB Header
产品系列	Mini-Fit Family Power Connectors
产品名称	Mini-Fit Jr.
UPC	800754206952

机构

CSA	LR19980
UL	E29179

电气

每触点最大电流	13.0A
电压 - 最大	600V

物理

断开	否
----	---

回路数 (已载入)	12
电路数 (最多)	12
颜色-树脂	Natural
耐用性(插拔次数) - 最多次数	30
先接后断	否
阻燃性	94V-0
符合灼热丝规范	否
可配插产品指南	否
插接极性	无
锁定插接部位	是
材料 - 金属	Brass
材料 - 接合部位电镀	Matte Tin
材料 - 终端电镀	Matte Tin
材料 - 树脂	Nylon
净重	4.565/g
行数	2
方向	Right Angle
包装形式	Bag
PCB 定位器	是
PCB 保持力	是
推荐的 PCB 厚度	1.78mm
间距 - 插配接口	4.20mm
间距 - 终端界面	4.20mm
最薄镀层 - 接合部位	2.540µm
最薄镀层 - 端接	2.540µm
有极性的插配件	是
PCB 极性	是
有护墙的	Fully
可堆叠的	否
运行温度范围	-40° to +105° C
终端界面类型	Through Hole

进程

最长持续时间	5
无铅	WAVE

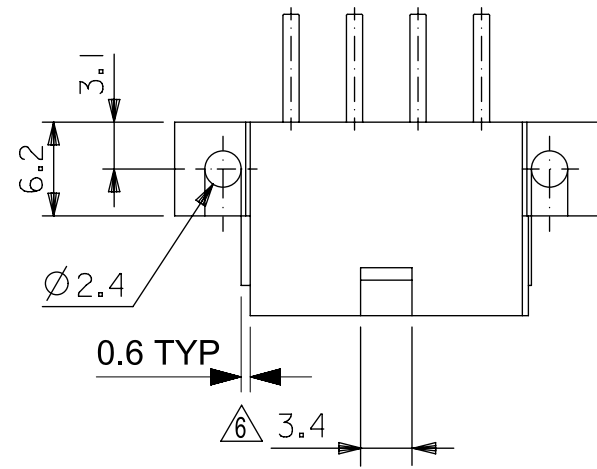
最大周期	1
最高温度	260

可配插/可连接使用的产品

可配插部件

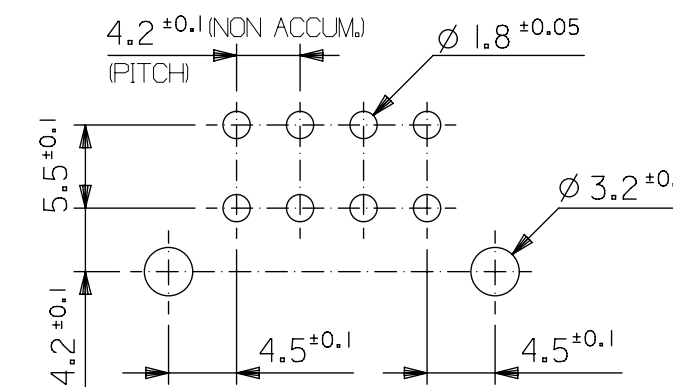
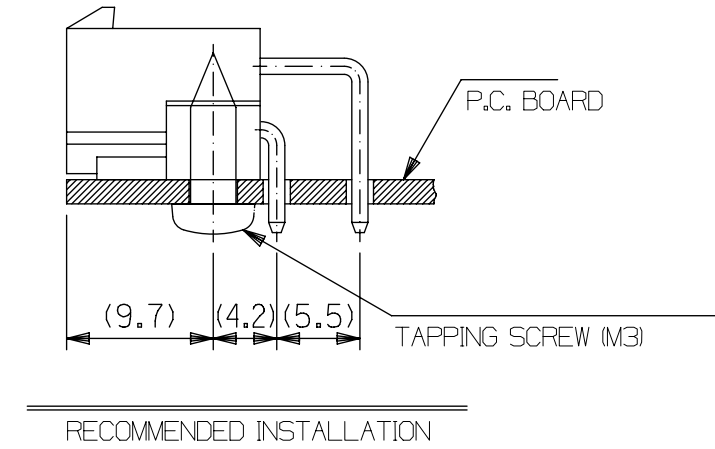
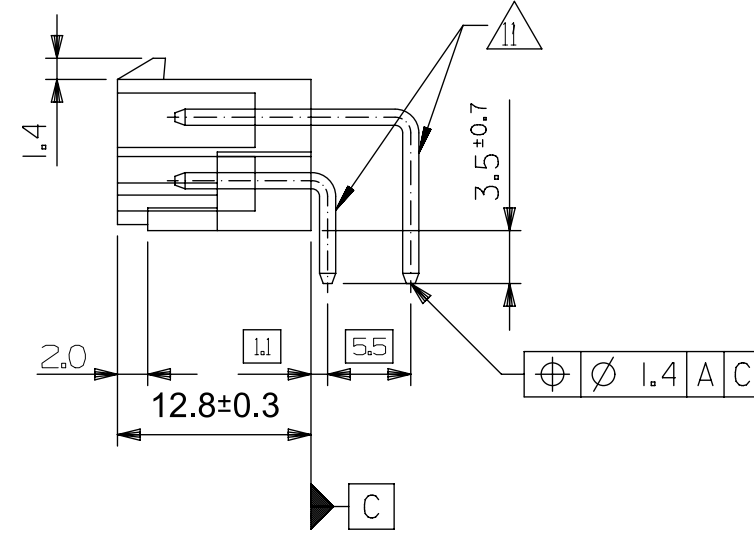
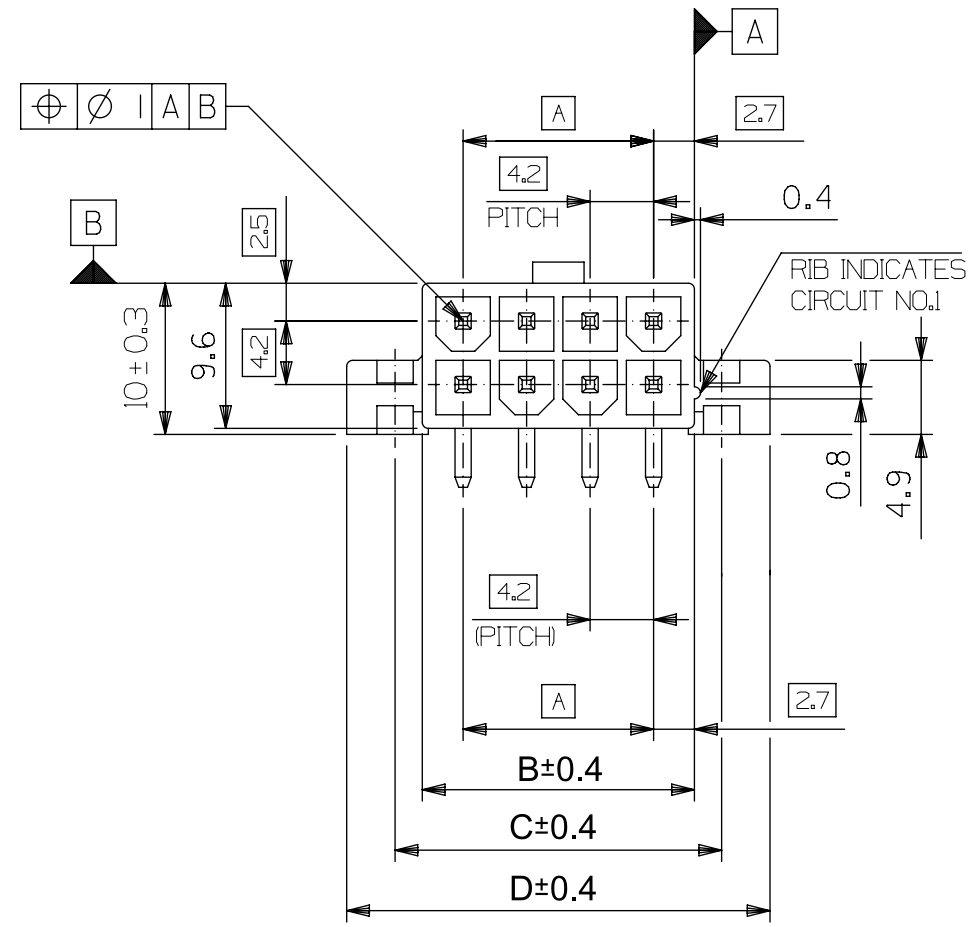
描述	产品编号
Mini-Fit TPA2 and Mini-Fit Sigma Dual Row Receptacle Housings	<u>172708</u>
Mini-Fit Jr. Receptacle Housings	<u>5557</u>

ENG. NO.	HEADER MATERIAL	FINISH OF PIN
5569-NA1	NYLON 66, UL94V-2, COLOR: NATURAL	MATTE TIN 2.54µm MIN. OVER NICKEL 1.27µm MIN.
▲ -NA1-T	NYLON 66, UL94V-2, COLOR: NATURAL	
-NA1-210	NYLON 66, UL94V-0, COLOR: NATURAL	
-NA1-210-T	NYLON 66, UL94V-0, COLOR: NATURAL	
-NA1-400	NYLON 66, UL94V-0, COLOR: BLACK	
-NAG1	NYLON 66, UL94V-2, COLOR: NATURAL	GOLD 0.76µm MIN. AND TIN OVER 2.54µm MIN. OVER NICKEL 1.27µm MIN.
-NA1G-T	NYLON 66, UL94V-2, COLOR: NATURAL	
-NAG1-210	NYLON 66, UL94V-0, COLOR: NATURAL	
-NA1G-210-T	NYLON 66, UL94V-0, COLOR: NATURAL	
-NA1G-400	NYLON 66, UL94V-0, COLOR: BLACK	GOLD 0.38µm MIN. AND TIN OVER 2.54µm MIN. OVER NICKEL 1.27µm MIN.
-NAIGS2	NYLON 66, UL94V-2, COLOR: NATURAL	
-NAIGS2-210	NYLON 66, UL94V-0, COLOR: NATURAL	
-NAIGS3	NYLON 66, UL94V-2, COLOR: NATURAL	GOLD 1.27µm MIN. AND TIN OVER 2.54µm MIN. OVER NICKEL 1.27µm MIN.
5569-NAIGS3-210	NYLON 66, UL94V-0, COLOR: NATURAL	

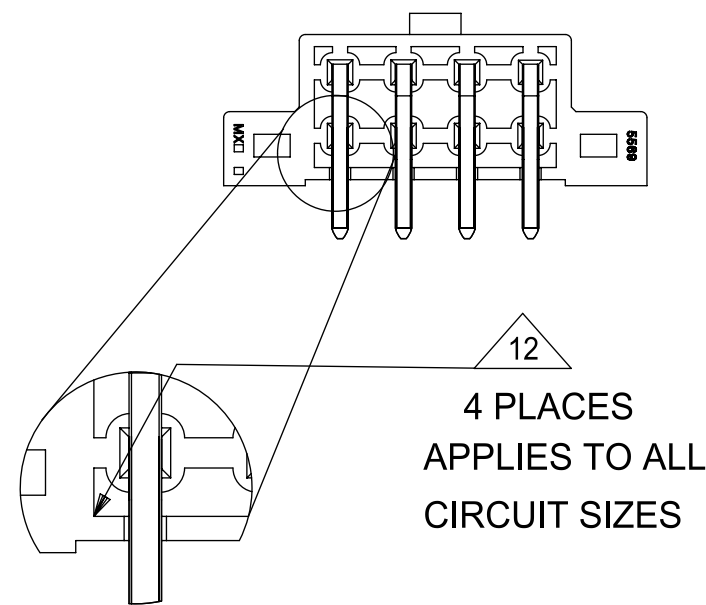


NOTES:

- MATERIAL:
HOUSING MATERIAL: SEE CHART
TERMINAL MATERIAL: BRASS ALLOY
- FINISH: SEE CHART
- PRODUCT SPECIFICATION: PS-5556-001
- PACKAGING SPECIFICATION: SEE CHART
BULK PACKED PER 55690001-PK OR PK-5569-002
TRAY PACKED PER PK-5569-004, 39295083 IS TRAY PACKED
- MATES WITH 5557 SERIES MINIFIT JR RECEPTACLE
- FOR THE 2 CIRCUITS HEADER, THIS DIMENSION IS 4.2 MM
- DISCOLORATION IN THE BANDOLIER CARRIER AREA OF THE PIN IS INHERENT TO THE PLATING PROCESS AND IS DUE TO THE MASKING EFFECT OF THE CARRIER. THIS DISCOLORATION IS IN A NON-FUNCTIONAL AREA OF THE PIN AND WILL NOT AFFECT THE PERFORMANCE OF THE HEADER ASSEMBLY.
- PARTS ARE NOT DESIGNED FOR CURRENT SHARING.
- CONNECTORS ARE NOT TO BE MATED OR UNMATED WHILE CIRCUITS ARE LIVE.
- CONFORMS TO CLASS "B" REQUIREMENTS OF COSMETIC SPECIFICATION PS-45499-002.
- FORMING MARKS ON PINS ARE ACCEPTABLE.
- CORNER CORE-OUTS ARE OPTIONAL AND MAY OR MAY NOT BE PRESENT.
- TEXT ON PART IS FOR REFERENCE ONLY. TEXT AND TEXT LOCATION MAY VARY DEPENDING ON PART NUMBER AND/OR TOOL.

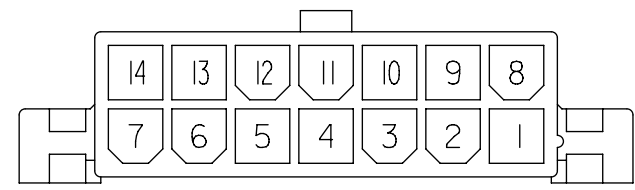


RECOMMENDED PCB HOLE LAYOUT
VIEWED FROM COMPONENT SIDE
1.78 MAX. THICK P.C. BOARD

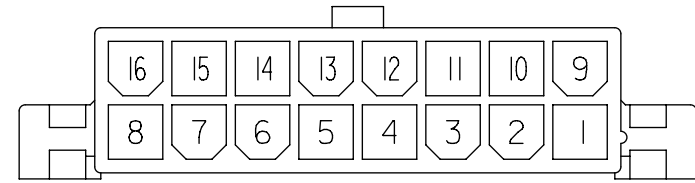


61.6	55.2	51.6	46.2	24
57.4	51	47.4	42	22
53.2	46.8	43.2	37.8	20
49	42.6	39	33.6	18
44.8	38.4	34.8	29.4	16
40.6	34.2	30.6	25.2	14
36.4	30	26.4	21	12
32.2	25.8	22.2	16.8	10
28	21.6	18	12.6	8
23.8	17.4	13.8	8.4	6
19.6	13.2	9.6	4.2	4
15.4	9	5.4	—	2
D	C	B	A	NO. OF CIRCUITS

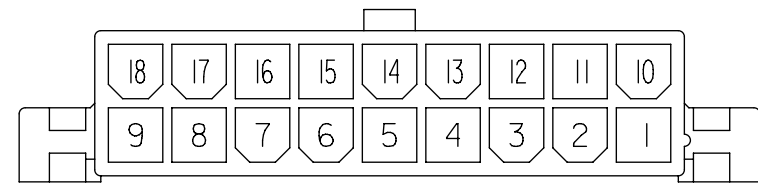
THIS DRAWING CONTAINS INFORMATION THAT IS PROPRIETARY TO MOLEX ELECTRONIC TECHNOLOGIES, LLC AND SHOULD NOT BE USED WITHOUT WRITTEN PERMISSION									
SYMBOLS		DIMENSION UNITS		SCALE		CURRENT REV DESC: MIGRATE TO ECTR			
▲ = 0	▼ = 0	MM ONLY		2:1		molex MINI FIT JR RIGHT ANGLE HEADER ASSY WITH FLANGES PRODUCT CUSTOMER DRAWING			
▽ = 0	▽ = 0	GENERAL TOLERANCES (UNLESS SPECIFIED)							
▽ = 0	▽ = 0	4 PLACES	±	MM	±	INCH	±	EC NO: 172489	
▽ = 0	▽ = 0	3 PLACES	±	MM	±	INCH	±	DRWN: ANESSER	2018/02/16
▽ = 0	▽ = 0	2 PLACES	±	0.2	±		±	CHK'D: JBELL	2018/02/20
▽ = 0	▽ = 0	1 PLACE	±	0.38	±		±	APPR: FSMITH	2018/02/22
▽ = 0	▽ = 0	0 PLACES	±		±			INITIAL REVISION:	
▽ = 0	▽ = 0	ANGULAR TOL	±	3.0°				DRWN: H. HIRAMOTO	1990/04/23
▽ = 0	▽ = 0	DRAFT WHERE APPLICABLE MUST REMAIN WITHIN DIMENSIONS						APPR: M. ENOMOTO	1991/07/04
		THIRD ANGLE PROJECTION						DRAWING	SERIES
								C-SIZE	5569
								MATERIAL NUMBER	CUSTOMER
								SEE CHART	GENERAL MARKET
								DOCUMENT NUMBER	DOC TYPE DOC PART REVISION
								SD-5569-002	PSD 000 N1
									SHEET NUMBER
									1 OF 2



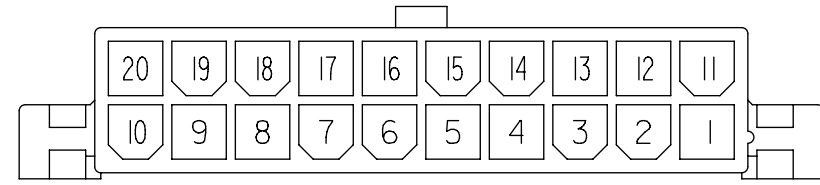
14 CKTS.



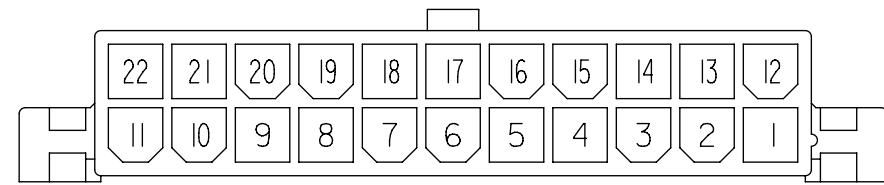
16 CKTS.



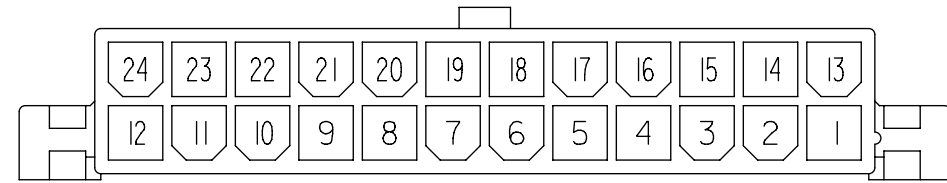
18 CKTS.



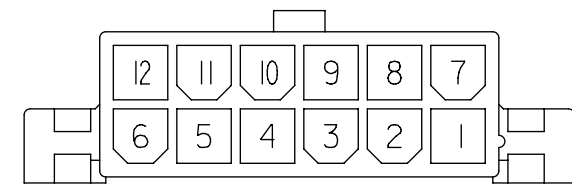
20 CKTS.



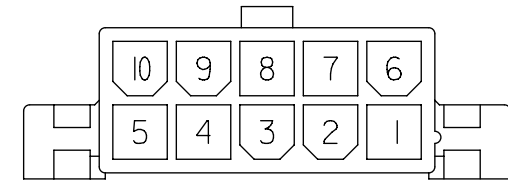
22 CKTS.



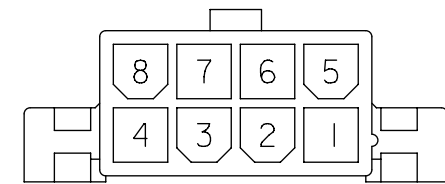
24 CKTS.



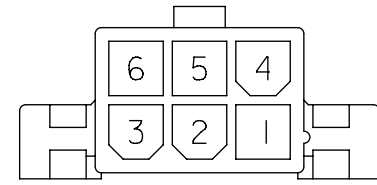
12 CKTS.



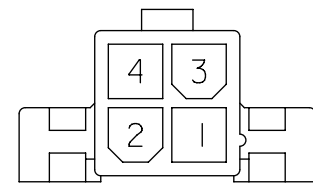
10 CKTS.



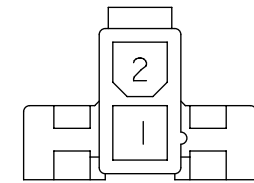
8 CKTS.



6 CKTS.



4 CKTS.



2 CKTS.

CIRCUIT SIZE LAYOUT (SCALE 2:1)

Table with 10 columns and multiple rows, detailing circuit specifications for 'TRAY PACKED' and 'BULK PACKED' configurations. Columns include EDP NO., ENG. NO., and CIRCUIT SIZE.

Technical drawing information block including MoLEX logo, dimensions (2:1 scale), tolerances, current revision, and document number SD-5569-002.