



产品编号 : [39301020](#)

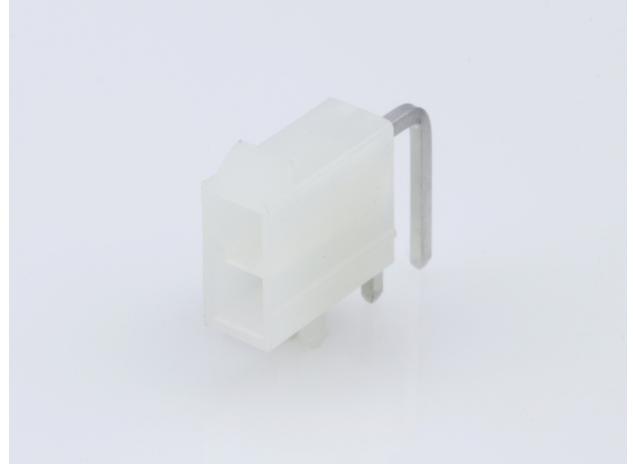
Product Description : Mini-Fit Jr. Header, Dual Row, Right-Angle, with Snap-in Plastic Peg PCB Lock, 2 Circuits, Nylon 6/6 94V-2, 2.54µm Matte Tin (Sn) Plating, Natural, Bag

系列号 : 5569

状态 : Active

Product Category : PCB Headers and Receptacles

工程编号 : 5569-02A2



文件和资源

图纸

[图纸 039301020_sd.pdf](#)

[包装设计图 SPK-5569-NA2-001.pdf](#)

3D 模型和设计文件

[3D模型 039301020_stp.zip](#)

[符号足迹数据 SYM-39-30-1020-001.zip](#)

规格

[应用规格 AS-5557-001-001.pdf](#)

[包装规格 PK-5569-002-001.pdf](#)

[产品规格 PS-45750-001-001.pdf](#)

[产品规格 PS-5556-001-001.pdf](#)

[测试摘要 TS-5556-002-001.pdf](#)

产物环境合规

合规

| | |
|--------------------|--|
| GADSL/IMDS | Compliant with Exemption 44; 33 |
| China RoHS | |
| EU ELV | Not Relevant |
| Low-Halogen Status | Low-Halogen per IEC 61249-2-21 |
| REACH SVHC | Not Contained per D(2023)8585-DC (23 Jan 2024) |
| EU RoHS | Compliant per EU 2015/863 |

多部分产品合规性声明

- Eu RoHS
- REACH SVHC
- Low-Halogen

多部分行业合规性文件

- IPC 1752A Class C
- IPC 1752A Class D
- Molex Product Compliance Declaration
- IEC-62474
- chemSHERPA (xml)

欧盟 RoHS 合格证书

产品详情

常规

| | |
|------|--|
| 状态 | 活动 |
| 类别 | PCB Headers and Receptacles |
| 系列 | 5569 |
| 说明 | Mini-Fit Jr. Header, Dual Row, Right-Angle, with Snap-in Plastic Peg PCB Lock, 2 Circuits, Nylon 6/6 94V-2, 2.54µm Matte Tin (Sn) Plating, Natural, Bag |
| 应用 | Power, Wire-to-Board |
| 个评论 | Current = 13A max. per circuit when header is mated to a receptacle loaded with 45750 Mini-Fit Plus HCS Crimp Terminal Crimped to 16 AWG wire. See Molex Product specification PS-5556-001 for additional current de-rating information. |
| 元件类型 | PCB Header |
| 产品系列 | Mini-Fit Family Power Connectors |
| 产品名称 | Mini-Fit Jr. |
| UPC | 800753616417 |

机构

| | |
|-----|---------|
| CSA | LR19980 |
| UL | E29179 |

电气

| | |
|---------|------------------|
| 每触点最大电流 | 13.0A |
| 电压 - 最大 | 600V AC (RMS)/DC |

物理

| | |
|------------------|-------------|
| 断开 | 否 |
| 回路数 (已载入) | 2 |
| 电路数 (最多) | 2 |
| 颜色-树脂 | Natural |
| 耐用性(插拔次数) - 最多次数 | 30 |
| 先接后断 | 否 |
| 阻燃性 | 94V-2 |
| 符合灼热丝规范 | 否 |
| 可配插产品指南 | 否 |
| 插接极性 | 无 |
| 锁定插接部位 | 是 |
| 材料 - 金属 | Brass |
| 材料 - 接合部位电镀 | Matte Tin |
| 材料 - 终端电镀 | Matte Tin |
| 材料 - 树脂 | Nylon |
| 净重 | 0.890/g |
| 行数 | 2 |
| 方向 | Right Angle |
| 包装形式 | Bag |
| PC 焊脚长度 | 3.60mm |
| PCB 定位器 | 是 |
| PCB 保持力 | 是 |
| 推荐的 PCB 厚度 | 1.78mm |
| 间距 - 插配接口 | 4.20mm |
| 间距 - 终端界面 | 4.20mm |
| 最薄镀层 - 接合部位 | 2.540µm |
| 最薄镀层 - 端接 | 2.540µm |
| 有极性的插配件 | 是 |
| PCB 极性 | 是 |

| | |
|--------|-----------------|
| 有护墙的 | Fully |
| 可堆叠的 | 否 |
| 运行温度范围 | -40° to +105° C |
| 终端界面类型 | Through Hole |

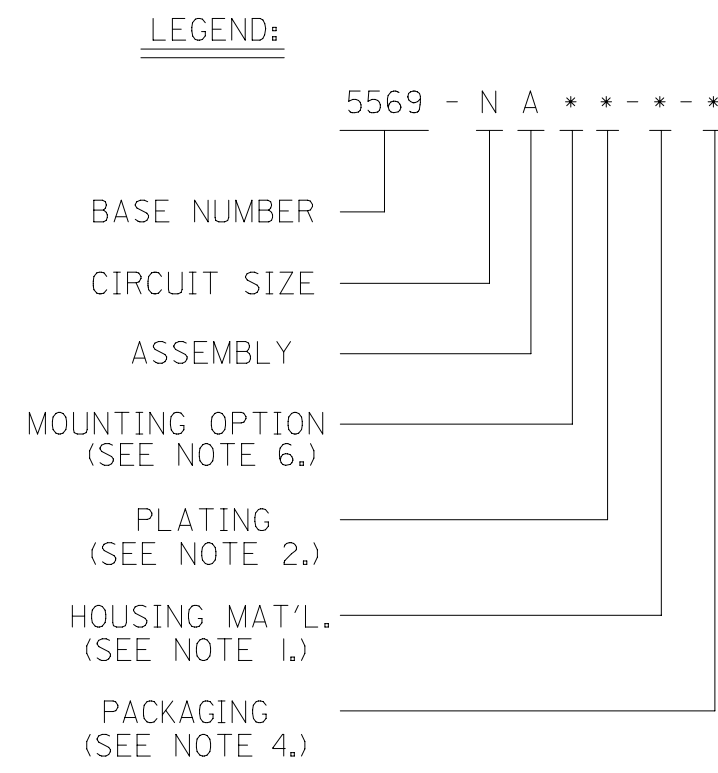
进程

| | |
|--------|------|
| 最长持续时间 | 5 |
| 无铅 | WAVE |
| 最大周期 | 1 |
| 最高温度 | 240 |

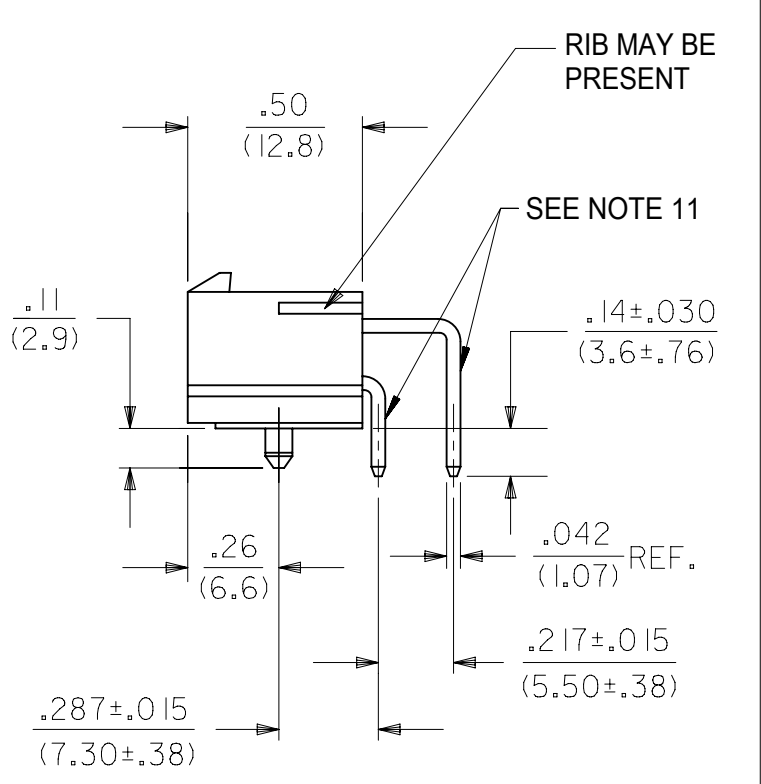
可配插/可连接使用的产品

可配插部件

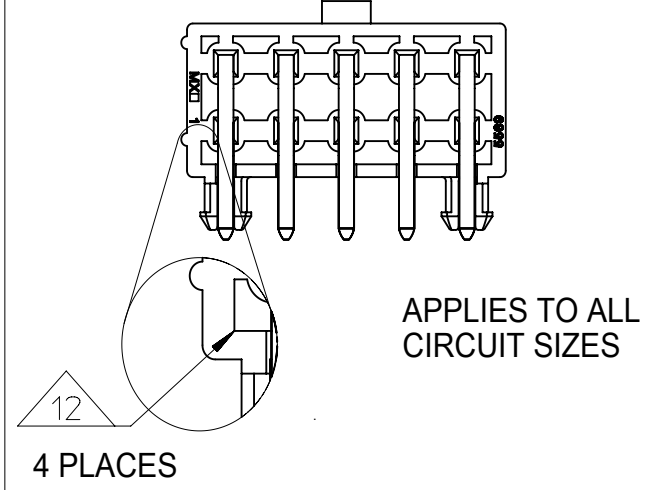
| 描述 | 产品编号 |
|--|---------------|
| Mini-Fit Jr. Receptacle Housings | <u>5557</u> |
| Mini-Fit TPA2-to-Mini-Fit TPA2 Off-the-Shelf (OTS) Cable Assemblies | <u>45135</u> |
| Mini-Fit TPA2 and Mini-Fit Sigma Dual Row Receptacle Housings | <u>172708</u> |
| Mini-Fit Jr.-to-Mini-Fit Jr. Off-the-Shelf (OTS) Overmolded Cable Assemblies | <u>245135</u> |



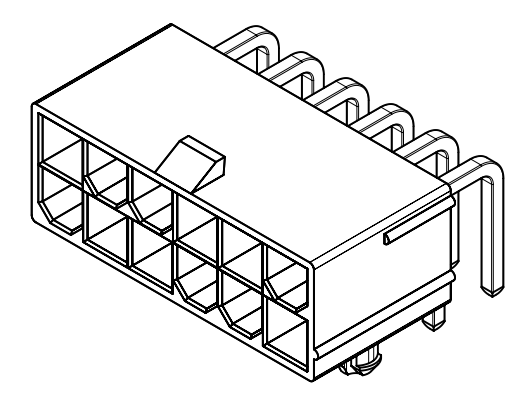
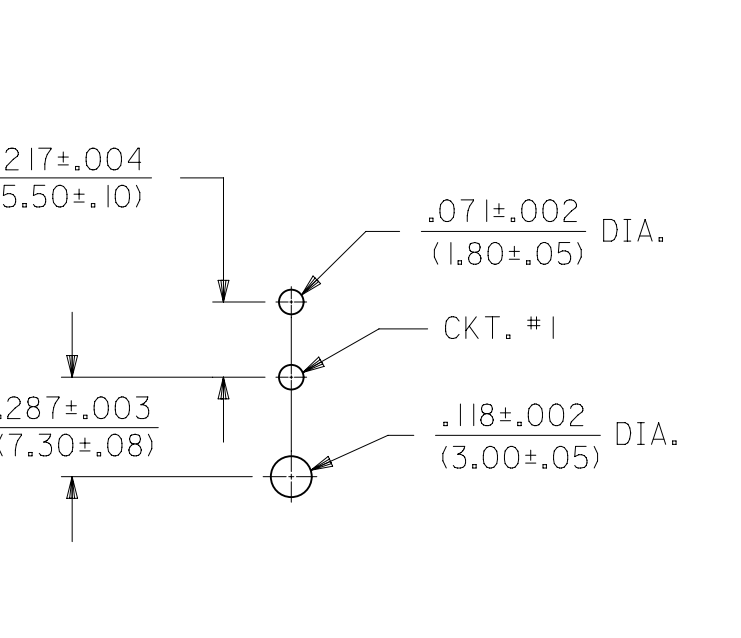
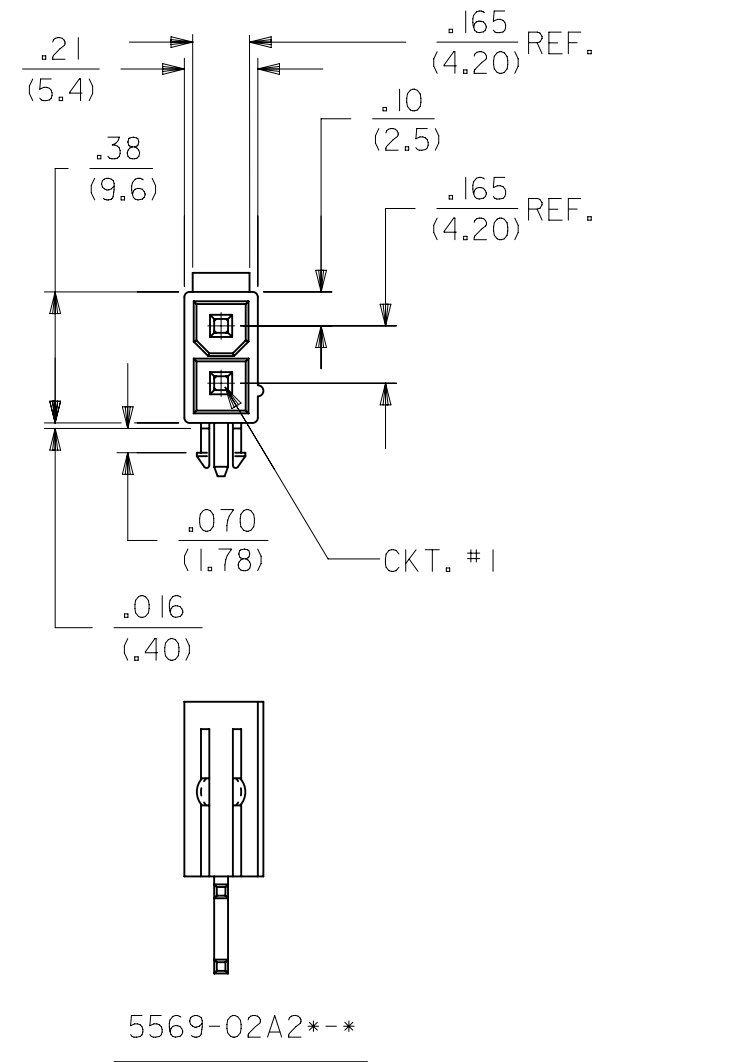
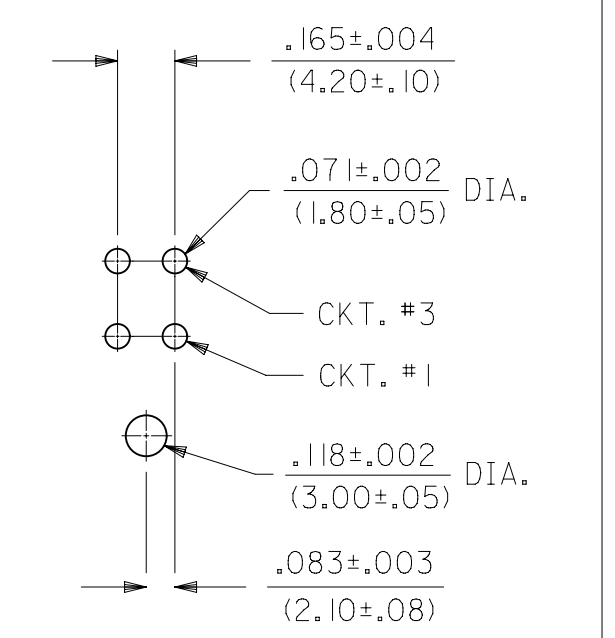
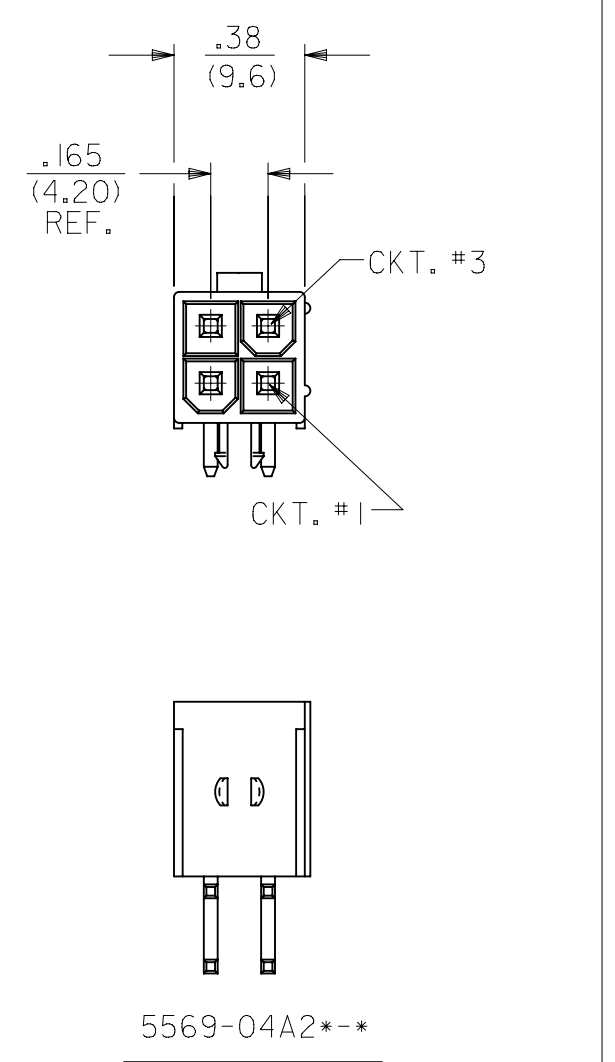
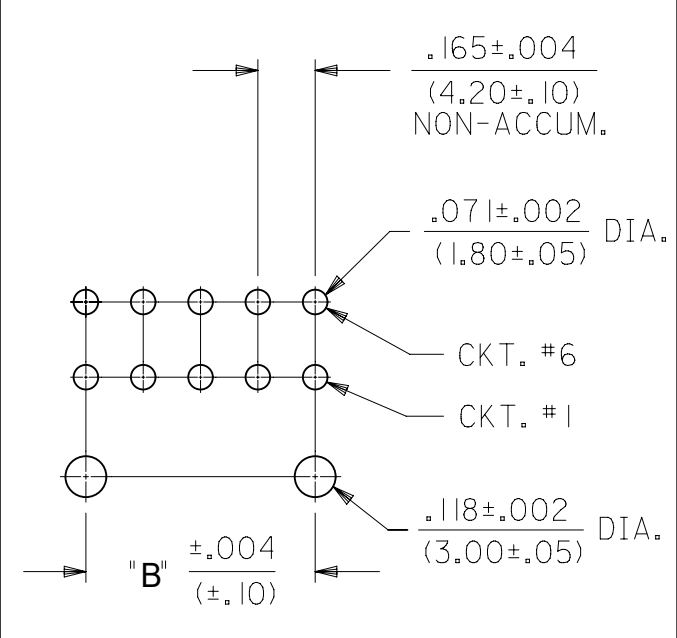
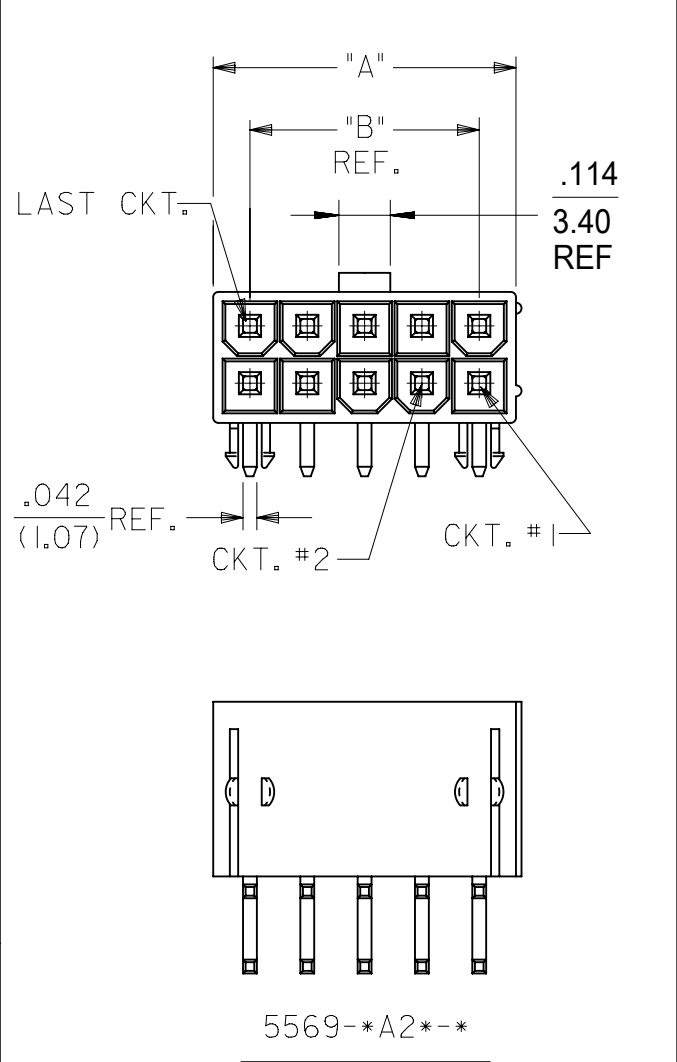
| CIRCUIT SIZE | DIM. "A" | DIM. "B" |
|--------------|----------------|----------------|
| 6 | .54 (13.8) | .33 (8.4) |
| 8 | .71 (18.0) | .50 (12.6) |
| 10 | .87 (22.2) | .66 (16.8) |
| 12 | 1.04 (26.4) | .83 (21.0) |
| 14 | 1.20 (30.6) | .99 (25.2) |
| 16 | 1.37 (34.8) | 1.16 (29.4) |
| 18 | 1.54 (39.0) | 1.32 (33.6) |
| 20 | 1.70 (43.2) | 1.49 (37.8) |
| 22 | 1.87 (47.4) | 1.65 (42.0) |
| 24 | 2.03 (51.6) | 1.82 (46.2) |



DIMENSIONS TYPICAL FOR ALL CIRCUIT SIZES



- NOTES:**
- 1) MATERIAL:
HOUSING:
"BLANK" = NYLON (PA66), LOW HALOGEN, UNFILLED, UL94V-2, COLOR: NATURAL
"BL" = NYLON (PA66), LOW HALOGEN, UNFILLED, UL94V-2, COLOR: BLACK
"210" = NYLON (PA66), LOW HALOGEN, UNFILLED, UL94V-0, COLOR: NATURAL
"400" = NYLON (PA66), LOW HALOGEN, UNFILLED, UL94V-0, COLOR: BLACK
TERMINAL:
BRASS ALLOY
- 2) FINISH (PLATING):
G, GS = .000030/(0.00076) MIN. SELECT GOLD OVER .000100/(0.00254) MIN. SELECT MATTE TIN OVER .000050/(0.00127) MIN. NICKEL OVERALL
GS2 = .000015/(0.00038) MIN. SELECT GOLD OVER .000100/(0.00254) MIN. SELECT MATTE TIN OVER .000050/(0.00127) MIN. NICKEL OVERALL
GS3 = .000050/(0.00127) MIN. SELECT GOLD OVER .000100/(0.00254) MIN. SELECT MATTE TIN OVER .000050/(0.00127) MIN. NICKEL OVERALL
BLANK, S, MS = .000100/(0.00254) MIN. MATTE TIN OVER .000050/(0.00127) MIN. NICKEL OVERALL
RM = .000060/(0.00152) MIN. REFLOWED MATTE TIN OVER .000050/(0.00127) MIN. NICKEL OVERALL
- 3) PRODUCT SPECIFICATION: PS-5556-001
- 4) PACKAGING:
"BLANK" = BULK PACKED PER PK-5569-002 (NOT RECOMMENDED DUE TO SHIPPING AND HANDLING DAMAGE).
"T" = TRAY PACKED PER PK-5569-003 (RECOMMENDED FOR NEW APPLICATIONS)
- 5) PART MATES WITH MINI-FIT JR. RECEPTACLE SERIES 5557.
- 6) MOUNTING OPTIONS:
1 = SCREW MOUNT (SEE SD-5569-NA* SERIES DRAWING)
2 = PEG MOUNT
- 7) DISCOLORATION IN THE BANDOLIER CARRIER AREA OF THE PIN IS INHERENT TO THE PLATING PROCESS AND IS DUE TO THE MASKING EFFECT OF THE CARRIER. THIS DISCOLORATION IS IN A NON-FUNCTIONAL AREA OF THE PIN AND WILL NOT AFFECT THE PERFORMANCE OF THE HEADER ASSEMBLY.
- 8) PART CONFORMS TO CLASS "B" REQUIREMENTS OF COSMETIC SPECIFICATION PS-45499-002.
- 9) CONNECTORS ARE NOT TO BE MATED AND UNMATED WHILE CIRCUITS ARE LIVE.
- 10) PARTS ARE NOT DESIGNED FOR CURRENT SHARING.
- 11) FORMING MARKS ON PINS ARE ACCEPTABLE.
- 12) CORNER CORE-OUTS ARE OPTIONAL AND MAY OR MAY NOT BE PRESENT.



| SYMBOLS | | THIS DRAWING CONTAINS INFORMATION THAT IS PROPRIETARY TO MOLEX ELECTRONIC TECHNOLOGIES, LLC AND SHOULD NOT BE USED WITHOUT WRITTEN PERMISSION | | CURRENT REV DESC: MIGRATE TO ECTR | |
|-----------------|--|---|---------|-----------------------------------|--|
| ∇ = 0 | IN/MM | SCALE | 4:1 | | |
| ∇ = 0 | GENERAL TOLERANCES (UNLESS SPECIFIED) | | | | |
| ∇ = 0 | | MM | INCH | | |
| S = 0 | 4 PLACES | ± | ± | | |
| ∇ = 0 | 3 PLACES | ± | ± 0.01 | | |
| ∇ = 0 | 2 PLACES | ± 0.25 | ± 0.015 | | |
| ∇ = 0 | 1 PLACE | ± 0.38 | ± | | |
| ∇ = 0 | 0 PLACES | ± | ± | | |
| ∇ = 0 | ANGULAR TOL | ± 0.5 ° | | | |
| ∇ = 0 | DRAFT WHERE APPLICABLE MUST REMAIN WITHIN DIMENSIONS | | | | |
| ∇ = 0 | THIRD ANGLE PROJECTION | | | | |
| | | DRAWING | SERIES | | |
| | | C-SIZE | 5569 | | |
| | | EC NO: 172489 | | 2018/01/26 | |
| | | DRWN: ANESSER | | 2018/02/20 | |
| | | CHK'D: JBELL | | 2018/02/22 | |
| | | APPR: FSMITH | | 2018/02/22 | |
| | | INITIAL REVISION: | | | |
| | | DRWN: RJF | | 1988/02/16 | |
| | | APPR: FSMITH | | 2016/12/20 | |
| DOCUMENT NUMBER | | DOC TYPE | | DOC PART | |
| 55690002-SD | | PSD | | 000 | |
| MATERIAL NUMBER | | CUSTOMER | | SHEET NUMBER | |
| SEE CHART | | GENERAL MARKET | | 1 OF 4 | |

| BULK PACKAGED PER PK-5569-002 | | | | | | | | | | | | | |
|---|-------------|-----------|---|----------------|---|---------------|------------|---|-----------|----------------|---|---|-------|
| THESE PART NUMBERS ARE NOT RECOMMENDED, FOR NEW APPLICATIONS USE THE TRAY PACKED PART NUMBERS | | | | | | | | | | | | | |
| PART NUMBER | ENG. NUMBER | CKT. SIZE | PLATING (NOTE 2) | HSG MAT'L | PART NUMBER | ENG. NUMBER | CKT. SIZE | PLATING (NOTE 2) | HSG MAT'L | | | | |
| 39-30-1020 | 5569-02A2 | 2 | MATTE TIN OVER NICKEL SEE NOTE 2 OPTION "BLANK" | 94V-2 | 39-30-0020 | 5569-02A2-210 | 2 | MATTE TIN OVER NICKEL SEE NOTE 2 OPTION "BLANK" | 94V-0 | | | | |
| 39-30-1040 | 5569-04A2 | 4 | | | 39-30-0040 | 5569-04A2-210 | 4 | | | | | | |
| 39-30-1060 | 5569-06A2 | 6 | | | 39-30-0060 | 5569-06A2-210 | 6 | | | | | | |
| 39-30-1080 | 5569-08A2 | 8 | | | 39-30-0080 | 5569-08A2-210 | 8 | | | | | | |
| 39-30-1100 | 5569-10A2 | 10 | | | 39-30-0100 | 5569-10A2-210 | 10 | | | | | | |
| 39-30-1120 | 5569-12A2 | 12 | | | 39-30-0120 | 5569-12A2-210 | 12 | | | | | | |
| 39-30-1140 | 5569-14A2 | 14 | | | 39-30-0140 | 5569-14A2-210 | 14 | | | | | | |
| 39-30-1160 | 5569-16A2 | 16 | | | 39-30-0160 | 5569-16A2-210 | 16 | | | | | | |
| 39-30-1180 | 5569-18A2 | 18 | | | 39-30-0180 | 5569-18A2-210 | 18 | | | | | | |
| 39-30-1200 | 5569-20A2 | 20 | | | 39-30-0200 | 5569-20A2-210 | 20 | | | | | | |
| 39-30-1220 | 5569-22A2 | 22 | | | 39-30-0220 | 5569-22A2-210 | 22 | | | | | | |
| 39-30-1240 | 5569-24A2 | 24 | | | 39-30-0240 | 5569-24A2-210 | 24 | | | | | | |
| 39-30-1021 | 5569-02A2G | 2 | | | 30 μ" SELECT GOLD SEE NOTE 2 OPTION "G" | 94V-2 | 39-30-1022 | | | 5569-02A2G-210 | 2 | 30 μ" SELECT GOLD SEE NOTE 2 OPTION "G" | 94V-0 |
| 39-30-1041 | 5569-04A2G | 4 | | | | | 39-30-1042 | | | 5569-04A2G-210 | 4 | | |
| 39-30-1061 | 5569-06A2G | 6 | 39-30-1062 | 5569-06A2G-210 | | | 6 | | | | | | |
| 39-30-1081 | 5569-08A2G | 8 | 39-30-1082 | 5569-08A2G-210 | | | 8 | | | | | | |
| 39-30-1101 | 5569-10A2G | 10 | 39-30-1102 | 5569-10A2G-210 | | | 10 | | | | | | |
| 39-30-1121 | 5569-12A2G | 12 | 39-30-1122 | 5569-12A2G-210 | | | 12 | | | | | | |
| 39-30-1141 | 5569-14A2G | 14 | 39-30-1142 | 5569-14A2G-210 | | | 14 | | | | | | |
| 39-30-1161 | 5569-16A2G | 16 | 39-30-1162 | 5569-16A2G-210 | | | 16 | | | | | | |
| 39-30-1181 | 5569-18A2G | 18 | 39-30-1182 | 5569-18A2G-210 | | | 18 | | | | | | |
| 39-30-1201 | 5569-20A2G | 20 | 39-30-1202 | 5569-20A2G-210 | | | 20 | | | | | | |
| NOT ASSIGNED | 5569-22A2G | 22 | 39-30-1222 | 5569-22A2G-210 | | | 22 | | | | | | |
| 39-30-1241 | 5569-24A2G | 24 | 39-30-1242 | 5569-24A2G-210 | | | 24 | | | | | | |


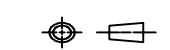
| | | | | | | | | | | | | | |
|--|---|--------|------------------------|------|---|-----------|--------------------------|----------------|-----------------|--------|----------|--|--------------|
| SYMBOLS | THIS DRAWING CONTAINS INFORMATION THAT IS PROPRIETARY TO MOLEX ELECTRONIC TECHNOLOGIES, LLC AND SHOULD NOT BE USED WITHOUT WRITTEN PERMISSION | | | | | | | | | | | | |
| | DIMENSION UNITS | | SCALE | | CURRENT REV DESC: MIGRATE TO ECTR | | | | | | | | |
| | IN/MM | | 1:1 | | molex MINI-FIT JR RIGHT ANGLE HEADER ASSEMBLIES WITH MOUNTING PEGS | | | | | | | | |
| | GENERAL TOLERANCES (UNLESS SPECIFIED) | | | | | | | | | | | | |
| | 4 PLACES ± | | MM | | INCH | | EC NO: 172489 | | | | | | |
| | 3 PLACES ± | | ± 0.25 | | ± 0.015 | | DRWN: ANESSER 2018/01/26 | | | | | | |
| | 2 PLACES ± | | ± 0.38 | | ± | | CHK'D: JBELL 2018/02/20 | | | | | | |
| | 1 PLACE ± | | ± | | ± | | APPR: FSMITH 2018/02/22 | | | | | | |
| | 0 PLACES ± | | ± | | ± | | INITIAL REVISION: | | | | | | |
| | ANGULAR TOL ± 0.5 ° | | THIRD ANGLE PROJECTION | | DRAWING | | SERIES | | MATERIAL NUMBER | | CUSTOMER | | SHEET NUMBER |
| DRAFT WHERE APPLICABLE MUST REMAIN WITHIN DIMENSIONS | | C-SIZE | | 5569 | | SEE CHART | | GENERAL MARKET | | 2 OF 4 | | | |

| | | | | |
|-----------------|----|--------------|------------|----------|
| DOCUMENT STATUS | P1 | RELEASE DATE | 2018/02/22 | 21:31:14 |
|-----------------|----|--------------|------------|----------|

THIS DRAWING REPLACES DRAWING SDA-5569-NA2*~*

TRAY PACKAGED PER PK-5569-003

| PART NUMBER | ENG. NUMBER | CKT. SIZE | PLATING (NOTE 2) | HSG MAT'L | PART NUMBER | ENG. NUMBER | CKT. SIZE | PLATING (NOTE 2) | HSG MAT'L |
|-------------|--------------------|-----------|---|-------------|-------------|--------------------|-----------|---|----------------|
| 26-01-3127 | 5569-02A2GS2-210-T | 2 | 15 μ" SELECT GOLD SEE NOTE 2 OPTION "GS2" | 94V-0 | 46999-0013 | 5569-02A2S-400-T | 2 | MATTE TIN OVER NICKEL SEE NOTE 2 OPTION "S" | BLACK 94V-0 |
| 26-01-3128 | 5569-04A2GS2-210-T | 4 | | | 46999-0014 | 5569-04A2S-400-T | 4 | | |
| NOT TOOLED | 5569-06A2GS2-210-T | 6 | | | 46999-0015 | 5569-06A2S-400-T | 6 | | |
| NOT TOOLED | 5569-08A2GS2-210-T | 8 | | | 46999-0016 | 5569-08A2S-400-T | 8 | | |
| NOT TOOLED | 5569-10A2GS2-210-T | 10 | | | 46999-0017 | 5569-10A2S-400-T | 10 | | |
| NOT TOOLED | 5569-12A2GS2-210-T | 12 | | | 46999-0018 | 5569-12A2S-400-T | 12 | | |
| NOT TOOLED | 5569-14A2GS2-210-T | 14 | | | 46999-0019 | 5569-14A2S-400-T | 14 | | |
| NOT TOOLED | 5569-16A2GS2-210-T | 16 | | | 46999-0020 | 5569-16A2S-400-T | 16 | | |
| NOT TOOLED | 5569-18A2GS2-210-T | 18 | | | 46999-0021 | 5569-18A2S-400-T | 18 | | |
| NOT TOOLED | 5569-20A2GS2-210-T | 20 | | | 46999-0022 | 5569-20A2S-400-T | 20 | | |
| NOT TOOLED | 5569-22A2GS2-210-T | 22 | | | 46999-0023 | 5569-22A2S-400-T | 22 | | |
| NOT TOOLED | 5569-24A2GS2-210-T | 24 | | | 46999-0024 | 5569-24A2S-400-T | 24 | | |
| 26-01-3141 | 5569-02A2GS3-T | 2 | 50 μ" SELECT GOLD SEE NOTE 2 OPTION "GS3" | 94V-2 | 46999-0538 | 5569-02A2GS2-400-T | 2 | 15 μ" SELECT GOLD SEE NOTE 2 OPTION "GS2" | BLACK 94V-0 |
| 26-01-3142 | 5569-04A2GS3-T | 4 | | | 46999-0539 | 5569-04A2GS2-400-T | 4 | | |
| 26-01-3143 | 5569-06A2GS3-T | 6 | | | 46999-0540 | 5569-06A2GS2-400-T | 6 | | |
| 26-01-3144 | 5569-08A2GS3-T | 8 | | | 46999-0541 | 5569-08A2GS2-400-T | 8 | | |
| NOT TOOLED | 5569-10A2GS3-T | 10 | | | 46999-0542 | 5569-10A2GS2-400-T | 10 | | |
| NOT TOOLED | 5569-12A2GS3-T | 12 | | | 46999-0543 | 5569-12A2GS2-400-T | 12 | | |
| NOT TOOLED | 5569-14A2GS3-T | 14 | | | 46999-0544 | 5569-14A2GS2-400-T | 14 | | |
| 26-01-3148 | 5569-16A2GS3-T | 16 | | | 46999-0545 | 5569-16A2GS2-400-T | 16 | | |
| NOT TOOLED | 5569-18A2GS3-T | 18 | | | 46999-0546 | 5569-18A2GS2-400-T | 18 | | |
| NOT TOOLED | 5569-20A2GS3-T | 20 | | | 46999-0547 | 5569-20A2GS2-400-T | 20 | | |
| NOT TOOLED | 5569-22A2GS3-T | 22 | | | 46999-0548 | 5569-22A2GS2-400-T | 22 | | |
| NOT TOOLED | 5569-24A2GS3-T | 24 | | | 46999-0549 | 5569-24A2GS2-400-T | 24 | | |
| 46999-0001 | 5569-02A2S-BL-T | 2 | MATTE TIN OVER NICKEL SEE NOTE 2 OPTION "S" | BLACK 94V-2 | 46999-0515 | 5569-02A2G-400-T | 2 | 30 μ" SELECT GOLD SEE NOTE 2 OPTION "G" | BLACK 94V-0 |
| 46999-0002 | 5569-04A2S-BL-T | 4 | | | 46999-0516 | 5569-04A2G-400-T | 4 | | |
| 46999-0003 | 5569-06A2S-BL-T | 6 | | | 46999-0517 | 5569-06A2G-400-T | 6 | | |
| 46999-0004 | 5569-08A2S-BL-T | 8 | | | 46999-0518 | 5569-08A2G-400-T | 8 | | |
| 46999-0005 | 5569-10A2S-BL-T | 10 | | | 46999-0519 | 5569-10A2G-400-T | 10 | | |
| 46999-0006 | 5569-12A2S-BL-T | 12 | | | 46999-0520 | 5569-12A2G-400-T | 12 | | |
| 46999-0007 | 5569-14A2S-BL-T | 14 | | | 46999-0521 | 5569-14A2G-400-T | 14 | | |
| 46999-0008 | 5569-16A2S-BL-T | 16 | | | 46999-0522 | 5569-16A2G-400-T | 16 | | |
| 46999-0009 | 5569-18A2S-BL-T | 18 | | | 46999-0523 | 5569-18A2G-400-T | 18 | | |
| 46999-0010 | 5569-20A2S-BL-T | 20 | | | 46999-0524 | 5569-20A2G-400-T | 20 | | |
| 46999-0011 | 5569-22A2S-BL-T | 22 | | | 46999-0525 | 5569-22A2G-400-T | 22 | | |
| 46999-0012 | 5569-24A2S-BL-T | 24 | | | 46999-0526 | 5569-24A2G-400-T | 24 | | |

| | | | | | | | | | | | | | | | |
|--|---|--|----------------|--------|---|------|---------|--|--------|---|--|--|--|--|--|
| SYMBOLS ▽ = 0 ▽ = 0 ▽ = 0 ▽ = 0 ▽ = 0 ▽ = 0 ▽ = 0 ▽ = 0 ▽ = 0 ▽ = 0 | THIS DRAWING CONTAINS INFORMATION THAT IS PROPRIETARY TO MOLEX ELECTRONIC TECHNOLOGIES, LLC AND SHOULD NOT BE USED WITHOUT WRITTEN PERMISSION | | | | | | | | | | | | | | |
| | DIMENSION UNITS | | SCALE | | CURRENT REV DESC: MIGRATE TO ECTR | | | | | |  MINI-FIT JR RIGHT ANGLE HEADER ASSEMBLIES WITH MOUNTING PEGS | | | | |
| | IN/MM | | 1:1 | | | | | | | | | | | | |
| | GENERAL TOLERANCES (UNLESS SPECIFIED) | | | | | | | | | | EC NO: 172489 DRWN: ANESSER 2018/01/26 CHK'D: JBELL 2018/02/20 APPR: FSMITH 2018/02/22 | | | | |
| | | | MM | INCH | | | | | | | | | | | |
| | 4 PLACES ± | | | | INITIAL REVISION: | | | | | | DOCUMENT NUMBER: 55690002-SD DOC TYPE: PSD DOC PART: 000 REVISION: A | | | | |
| | 3 PLACES ± | | ± 0.01 | | | | | | | | | | | | |
| | 2 PLACES ± | | ± 0.25 ± 0.015 | | DRWN: RJF 1988/02/16 APPR: FSMITH 2016/12/20 | | | | | | MATERIAL NUMBER: SEE CHART CUSTOMER: GENERAL MARKET SHEET NUMBER: 3 OF 4 | | | | |
| | 1 PLACE ± | | ± 0.38 ± | | | | | | | | | | | | |
| | 0 PLACES ± | | ± | | THIRD ANGLE PROJECTION | | DRAWING | | SERIES | | | | | | |
| ANGULAR TOL ± 0.5 ° | | | | C-SIZE | | 5569 | | | | | | | | | |
| DRAFT WHERE APPLICABLE MUST REMAIN WITHIN DIMENSIONS | | | | | | | | | |  | | | | | |

TRAY PACKAGED PER PK-5569-003

| PART NUMBER | ENG. NUMBER | CKT. SIZE | PLATING (NOTE 2) | HSG MAT'L | PART NUMBER | ENG. NUMBER | CKT. SIZE | PLATING (NOTE 2) | HSG MAT'L | PART NUMBER | ENG. NUMBER | CKT. SIZE | PLATING (NOTE 2) | HSG MAT'L | | | | | | |
|-------------|-------------------|-----------|---|-------------------|--|------------------|------------|---|-----------|--|----------------|--|---|-----------|-------|--|--|--|--|--|
| 50-36-1757 | 5569-02A2S-T | 2 | MATTE TIN OVER NICKEL SEE NOTE 2 OPTION "S" | 94V-2 | 50-36-1758 | 5569-02A2S-210-T | 2 | MATTE TIN OVER NICKEL SEE NOTE 2 OPTION "S" | 94V-0 | 26-01-3114 | 5569-02A2GS2-T | 2 | 15 μ" SELECT GOLD SEE NOTE 2 OPTION "GS2" | 94V-2 | | | | | | |
| 50-36-1767 | 5569-04A2S-T | 4 | | | 50-36-1768 | 5569-04A2S-210-T | 4 | | | 26-01-3115 | 5569-04A2GS2-T | 4 | | | | | | | | |
| 50-36-1777 | 5569-06A2S-T | 6 | | | 50-36-1778 | 5569-06A2S-210-T | 6 | | | 26-01-3116 | 5569-06A2GS2-T | 6 | | | | | | | | |
| 50-36-1787 | 5569-08A2S-T | 8 | | | 50-36-1788 | 5569-08A2S-210-T | 8 | | | NOT TOOLED | 5569-08A2GS2-T | 8 | | | | | | | | |
| 50-36-1797 | 5569-10A2S-T | 10 | | | 50-36-1798 | 5569-10A2S-210-T | 10 | | | NOT TOOLED | 5569-10A2GS2-T | 10 | | | | | | | | |
| 50-36-1807 | 5569-12A2S-T | 12 | | | 50-36-1808 | 5569-12A2S-210-T | 12 | | | 26-01-3119 | 5569-12A2GS2-T | 12 | | | | | | | | |
| 50-36-1817 | 5569-14A2S-T | 14 | | | 50-36-1818 | 5569-14A2S-210-T | 14 | | | NOT TOOLED | 5569-14A2GS2-T | 14 | | | | | | | | |
| 50-36-1827 | 5569-16A2S-T | 16 | | | 50-36-1828 | 5569-16A2S-210-T | 16 | | | NOT TOOLED | 5569-16A2GS2-T | 16 | | | | | | | | |
| 50-36-1837 | 5569-18A2S-T | 18 | | | 50-36-1838 | 5569-18A2S-210-T | 18 | | | NOT TOOLED | 5569-18A2GS2-T | 18 | | | | | | | | |
| 50-36-1847 | 5569-20A2S-T | 20 | | | 50-36-1848 | 5569-20A2S-210-T | 20 | | | NOT TOOLED | 5569-20A2GS2-T | 20 | | | | | | | | |
| 50-36-1857 | 5569-22A2S-T | 22 | | | 50-36-1858 | 5569-22A2S-210-T | 22 | | | NOT TOOLED | 5569-22A2GS2-T | 22 | | | | | | | | |
| 50-36-1867 | 5569-24A2S-T | 24 | | | 50-36-1868 | 5569-24A2S-210-T | 24 | | | 26-01-3126 | 5569-24A2GS2-T | 24 | | | | | | | | |
| 50-36-1755 | 5569-02A2GS-T | 2 | | | 30 μ" SELECT GOLD SEE NOTE 2 OPTION "GS" | 94V-2 | 50-36-1756 | | | 5569-02A2GS-210-T | 2 | 30 μ" SELECT GOLD SEE NOTE 2 OPTION "GS" | | | 94V-0 | | | | | |
| 50-36-1765 | 5569-04A2GS-T | 4 | | | | | 50-36-1766 | | | 5569-04A2GS-210-T | 4 | | | | | | | | | |
| 50-36-1775 | 5569-06A2GS-T | 6 | 50-36-1776 | 5569-06A2GS-210-T | | | 6 | | | | | | | | | | | | | |
| 50-36-1785 | 5569-08A2GS-T | 8 | 50-36-1786 | 5569-08A2GS-210-T | | | 8 | | | | | | | | | | | | | |
| 50-36-1795 | 5569-10A2GS-T | 10 | 50-36-1796 | 5569-10A2GS-210-T | | | 10 | | | | | | | | | | | | | |
| 50-36-1805 | 5569-12A2GS-T | 12 | 50-36-1806 | 5569-12A2GS-210-T | | | 12 | | | | | | | | | | | | | |
| 50-36-1815 | 5569-14A2GS-T | 14 | 50-36-1816 | 5569-14A2GS-210-T | | | 14 | | | | | | | | | | | | | |
| 50-36-1825 | 5569-16A2GS-T | 16 | 50-36-1826 | 5569-16A2GS-210-T | | | 16 | | | | | | | | | | | | | |
| 50-36-1835 | 5569-18A2GS-T | 18 | 50-36-1836 | 5569-18A2GS-210-T | | | 18 | | | | | | | | | | | | | |
| 50-36-1845 | 5569-20A2GS-T | 20 | 50-36-1846 | 5569-20A2GS-210-T | | | 20 | | | | | | | | | | | | | |
| 39-30-1221 | 5569-22A2GS-T | 22 | 50-36-1856 | 5569-22A2GS-210-T | | | 22 | | | | | | | | | | | | | |
| 50-36-1865 | 5569-24A2GS-T | 24 | 50-36-1866 | 5569-24A2GS-210-T | | | 24 | | | | | | | | | | | | | |
| 26-01-3177 | 5569-02AGS3-210-T | 2 | 50 μ" SELECT GOLD SEE NOTE 2 OPTION "GS3" | 94V-0 | | | 26-01-3101 | 5569-02A2GS-BL-T | 2 | 30 μ" SELECT GOLD SEE NOTE 2 OPTION "GS" | BLACK 94V-2 | | | | | | | | | |
| 26-01-3178 | 5569-04AGS3-210-T | 4 | | | | | NOT TOOLED | 5569-04A2GS-BL-T | 4 | | | | | | | | | | | |
| | | 6 | | | NOT TOOLED | 5569-06A2GS-BL-T | 6 | | | | | | | | | | | | | |
| | | 8 | | | NOT TOOLED | 5569-08A2GS-BL-T | 8 | | | | | | | | | | | | | |
| 26-01-3094 | 5569-10AGS3-210-T | 10 | | | NOT TOOLED | 5569-10A2GS-BL-T | 10 | | | | | | | | | | | | | |
| | | 12 | | | NOT TOOLED | 5569-12A2GS-BL-T | 12 | | | | | | | | | | | | | |
| | | 14 | | | NOT TOOLED | 5569-14A2GS-BL-T | 14 | | | | | | | | | | | | | |
| | | 16 | | | 26-01-3108 | 5569-16A2GS-BL-T | 16 | | | | | | | | | | | | | |
| | | 18 | | | NOT TOOLED | 5569-18A2GS-BL-T | 18 | | | | | | | | | | | | | |
| | | 20 | | | NOT TOOLED | 5569-20A2GS-BL-T | 20 | | | | | | | | | | | | | |
| | | 22 | | | NOT TOOLED | 5569-22A2GS-BL-T | 22 | | | | | | | | | | | | | |
| | | 24 | | | NOT TOOLED | 5569-24A2GS-BL-T | 24 | | | | | | | | | | | | | |

| | | | | | | | | | | |
|---------|---|---|---------|---------|---|---|--|--|--|--|
| SYMBOLS | THIS DRAWING CONTAINS INFORMATION THAT IS PROPRIETARY TO MOLEX ELECTRONIC TECHNOLOGIES, LLC AND SHOULD NOT BE USED WITHOUT WRITTEN PERMISSION | | | | | | | | | |
| | DIMENSION UNITS | | SCALE | | CURRENT REV DESC: MIGRATE TO ECTR | | | | | |
| | IN/MM | | 1:1 | | EC NO: 172489 DRWN: ANESSER 2018/01/26 CHK'D: JBELL 2018/02/20 APPR: FSMITH 2018/02/22 INITIAL REVISION: DRWN: RJF 1988/02/16 APPR: FSMITH 2016/12/20 | | | | | |
| | GENERAL TOLERANCES (UNLESS SPECIFIED) | | | | | | | | | |
| ▽ = 0 | 4 PLACES | ± | | MM | INCH | DOCUMENT NUMBER: 55690002-SD DOC TYPE: PSD DOC PART: 000 REVISION: A MATERIAL NUMBER: SEE CHART CUSTOMER: GENERAL MARKET SHEET NUMBER: 4 OF 4 | | | | |
| ▽ = 0 | 3 PLACES | ± | | ± 0.01 | | | | | | |
| ▽ = 0 | 2 PLACES | ± | 0.25 | ± 0.015 | | | | | | |
| ▽ = 0 | 1 PLACE | ± | 0.38 | ± | | | | | | |
| ⊠ = 0 | 0 PLACES | ± | | | | THIRD ANGLE PROJECTION DRAWING: C-SIZE SERIES: 5569 | | | | |
| ■ = 0 | ANGULAR TOL | | ± 0.5 ° | | | | | | | |
| ▽ = 0 | DRAFT WHERE APPLICABLE MUST REMAIN WITHIN DIMENSIONS | | | | | | | | | |



MINI-FIT JR RIGHT ANGLE HEADER ASSEMBLIES WITH MOUNTING PEGS

PRODUCT CUSTOMER DRAWING

THIS DRAWING REPLACES DRAWING SDA-5569-NA2**