



产品编号 : 39302030

系列号 : 5566

Product Category : PCB Headers and Receptacles

Product Description : Mini-Fit Jr. Vertical Header, 4.20mm Pitch, Single Row, 3 Circuits, with Snap-in Plastic Peg PCB Lock, Tin, Natural

状态 : Active

工程编号 : 5566-03A3-210

文件和资源

图纸

图纸 039302030_sd.pdf

包装设计图 PK-5566-002-000.pdf

3D 模型和设计文件

3D模型 039302030_stp.zip

规格


应用规格 AS-5557-001-001.pdf

产品规格 PS-5556-001-001.pdf

测试摘要 TS-5556-002-001.pdf

产物环境合规

合规

GADSL/IMDS	Not Relevant
China RoHS	
EU ELV	Not Relevant
Low-Halogen Status	Low-Halogen per IEC 61249-2-21
REACH SVHC	Not Contained per D(2023)8585-DC (23 Jan 2024)
EU RoHS	Compliant per EU 2015/863

多部分产品合规性声明

- Eu RoHS
- REACH SVHC
- Low-Halogen

- IPC 1752A Class C
- IPC 1752A Class D

- Molex Product Compliance Declaration

- IEC-62474

- chemSHERPA (xml)

欧盟 RoHS 合格证书

产品详情

常规

状态	活动
类别	PCB Headers and Receptacles
系列	5566
说明	Mini-Fit Jr. Vertical Header, 4.20mm Pitch, Single Row, 3 Circuits, with Snap-in Plastic Peg PCB Lock, Tin, Natural
应用	Power, Wire-to-Board
个评论	The 5566 header should be used with standard Mini-Fit female terminals. If increased amperage of up to 13A per circuit is needed, please consider using the Mini-Fit Plus HCS family 45750 terminals with 46014 headers; See Molex Product specification for current de-rating information.
元件类型	PCB Header
产品系列	Mini-Fit Family Power Connectors
产品名称	Mini-Fit Jr.
UPC	800754379908

机构

CSA	LR19980
UL	E29179

电气

每触点最大电流	9.0A
电压 - 最大	600V

物理

断开	否
----	---

回路数 (已载入)	3
电路数 (最多)	3
颜色-树脂	Natural
耐用性(插拔次数) - 最多次数	30
先接后断	否
阻燃性	94V-0
符合灼热丝规范	否
可配插产品指南	否
插接极性	无
锁定插接部位	是
材料 - 金属	Brass
材料 - 接合部位电镀	Tin
材料 - 终端电镀	Tin
材料 - 树脂	Nylon
净重	0.809/g
行数	1
方向	垂直
包装形式	Tray
PC 焊脚长度	3.50mm
PCB 定位器	是
PCB 保持力	是
推荐的 PCB 厚度	1.60mm
间距 - 插配接口	4.20mm
间距 - 终端界面	4.20mm
最薄镀层 - 接合部位	0.889µm
最薄镀层 - 端接	0.889µm
有极性的插配件	是
PCB 极性	是
有护墙的	Fully
可堆叠的	否
运行温度范围	-40° to +105° C
终端界面类型	Through Hole

进程

最长持续时间	5
--------	---

无铅	WAVE
最大周期	1
最高温度	240

可配插/可连接使用的产品

可配插部件

描述	产品编号
Mini-Fit Jr. Receptacle Housings	<u>5557</u>
Mini-Fit TPA2 and Mini-Fit Sigma Dual Row Receptacle Housings	<u>172708</u>
Mini-Fit TPA2-to-Mini-Fit TPA2 Off-the-Shelf (OTS) Cable Assemblies	<u>145135</u>

NOTES:

1. MATERIALS:

HOUSING:

- "BLANK"=NYLON 6/6, UNFILLED UL94 V-2, COLOR: NATURAL
- "130"=GLASS FILLED LCP, UL94 V-0, COLOR: BLACK
IEC 60335-1, 5TH EDITION GLOW WIRE CAPABLE
- "210"=NYLON 6/6, UNFILLED UL94 V-0, COLOR: NATURAL
- "400"=NYLON 6/6, UNFILLED UL94 V-0, COLOR: BLACK

TERMINALS:

BRASS

2. TERMINAL PLATING:

- "BLANK"=.000035/(0.00090) MIN. REFLOWED MATTE TIN OVER
.000020/(0.00050) MIN. COPPER (PREPLATE)
(FINISH IS BRIGHT IN APPEARANCE, THICKNESS AS APPLIED PRIOR TO REFLOW)
- GS2=.000015/(0.00038) MIN. SELECT GOLD AND
.000100/(0.00254) MIN. SELECT MATTE TIN OVER
.000050/(0.00127) MIN. NICKEL OVERALL
- GS=.000030/(0.00076) MIN. SELECT GOLD AND
.000100/(0.00254) MIN. SELECT MATTE TIN OVER
.000050/(0.00127) MIN. NICKEL OVERALL
- S=.000100/(0.00254) MIN. BRIGHT TIN OVER
.000050/(0.00127) MIN. NICKEL
- MS=.000100/(0.00254) MIN. MATTE TIN OVER
.000050/(0.00127) MIN. NICKEL

3. PRODUCT SPECIFICATION: PS-5556-001

4. PACKAGING: TRAY PACKED PER PK-5566-002

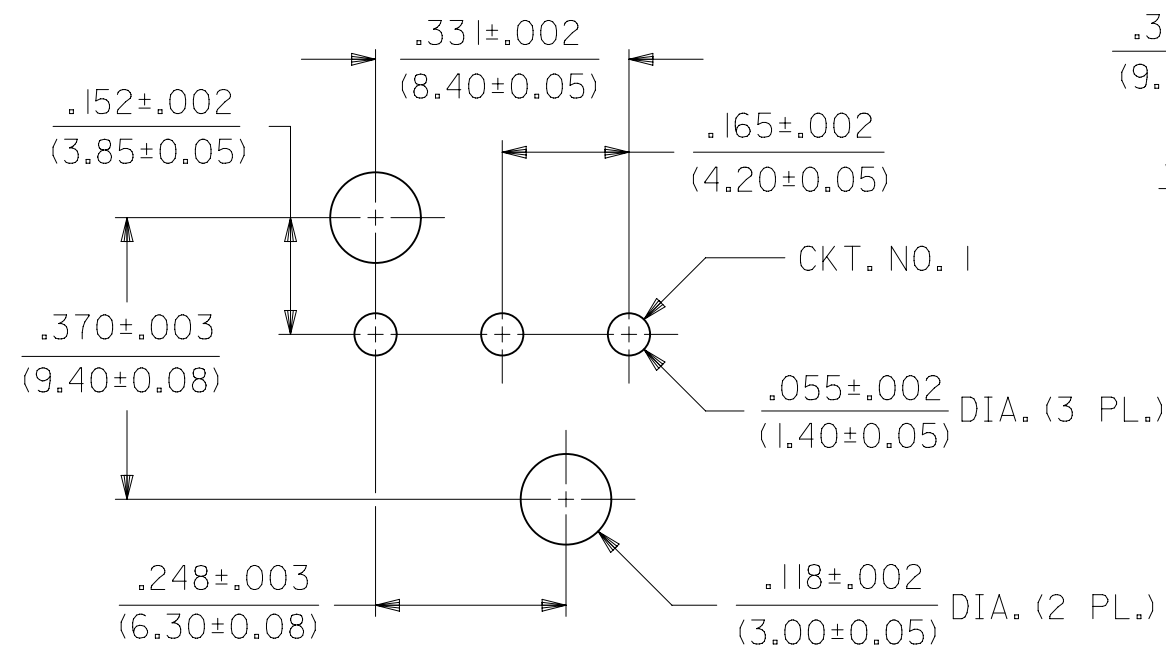
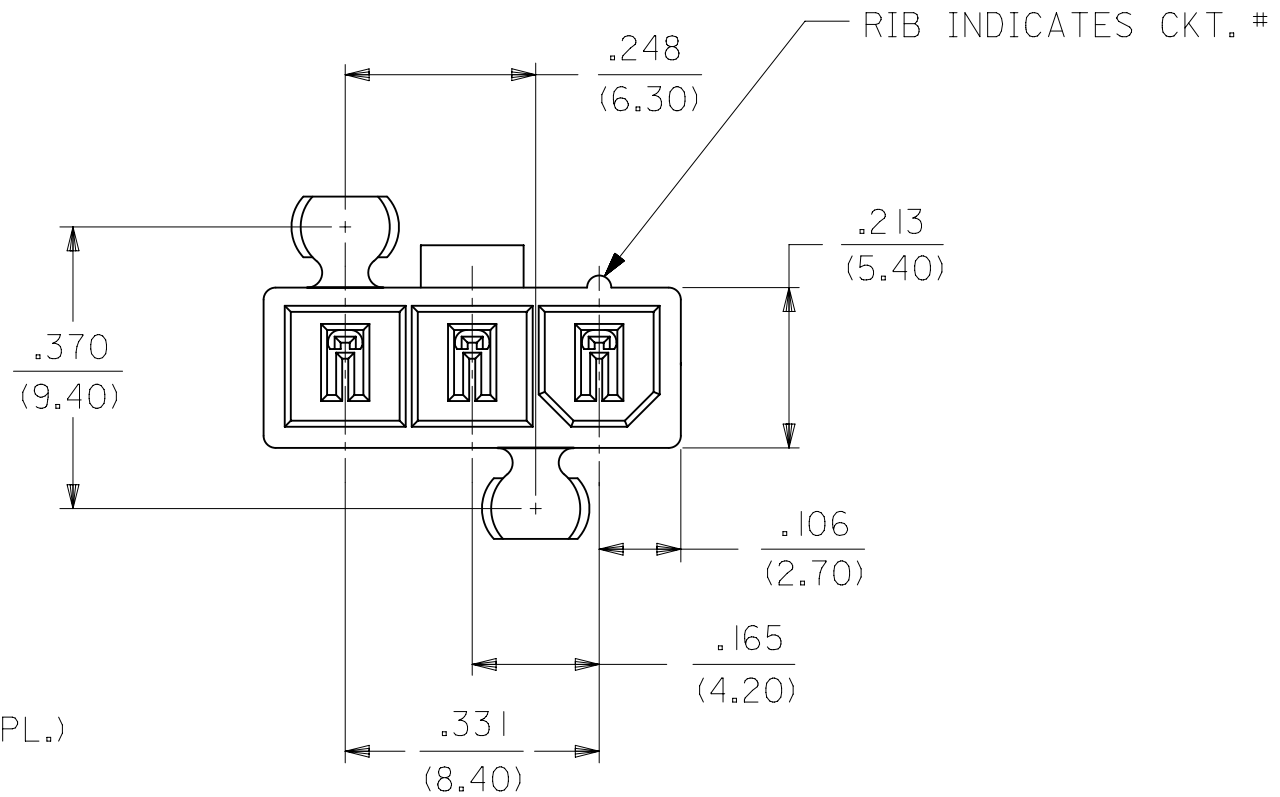
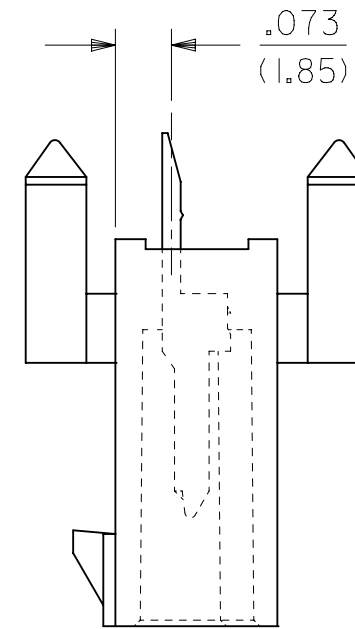
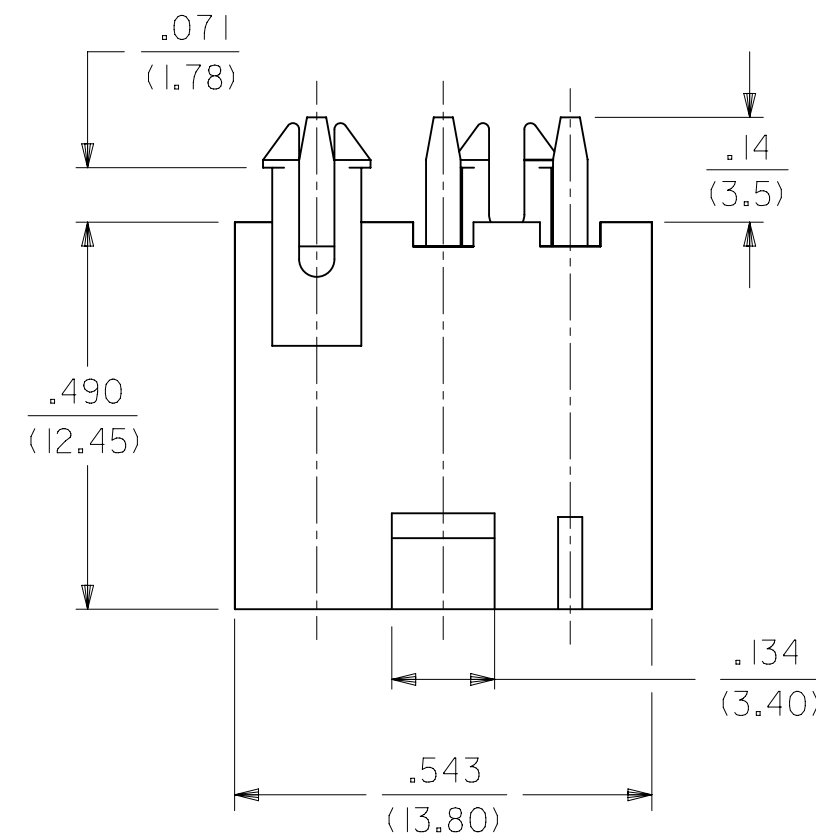
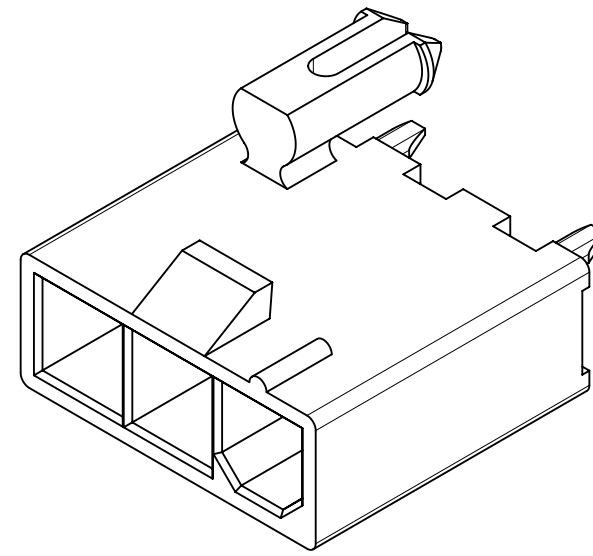
5. PART MATES WITH MINI-FIT JR. RECEPTACLE NO. 5557.

6. ALL DIMENSIONS ARE REFERENCE UNLESS OTHERWISE SPECIFIED.

7. PART IS NOT DESIGNED FOR CURRENT SHARING.

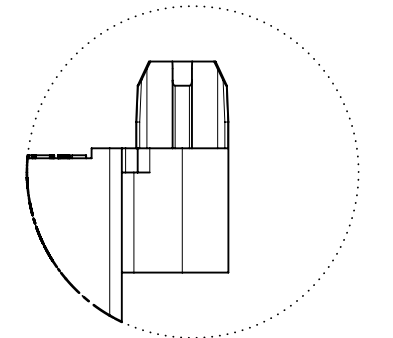
8. PARTS ARE NOT TO BE MATED OR UN-MATED WHILE CIRCUITS ARE LIVE.

9. PART CONFORMS TO CLASS "B" REQUIREMENTS OF COSMETIC SPECIFICATION PS-45499-002.



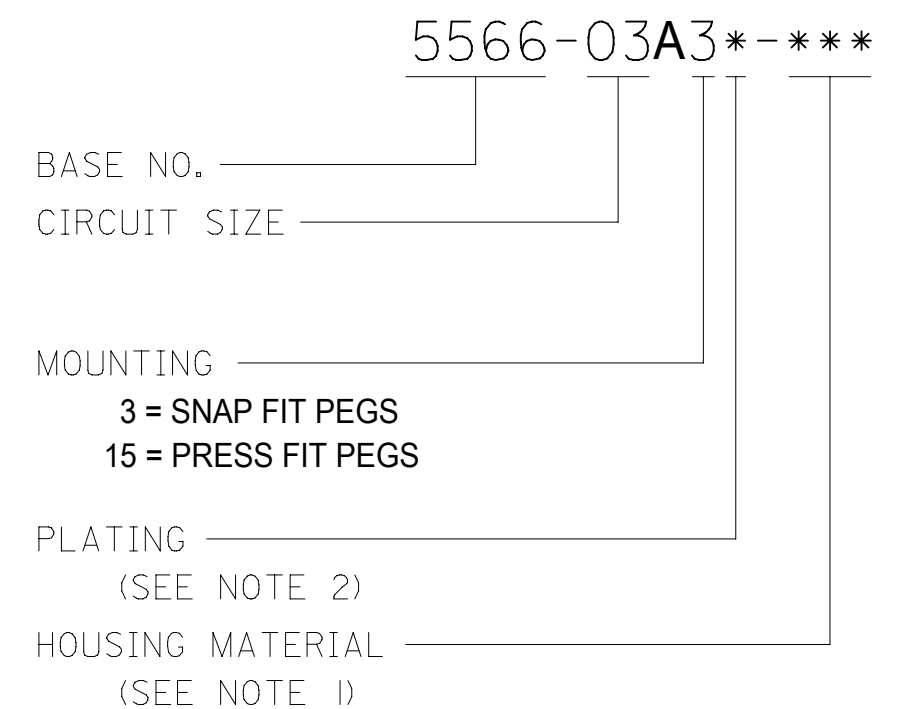
RECOMMENDED HOLE LAYOUT FOR
.070/(1.78) MAX. THICK P. C. BOARD

PART NO.	ENG. NO.	HOUSING MAT'L. (SEE NOTE 1)	PLATING (SEE NOTE 2)
39-30-1039	5566-03A3	"BLANK"	"BLANK"
39-30-2033	-03A3GS2		GS2
39-30-2031	-03A3GS		GS
39-30-5037	-03A3S		S
46999-0792	-03A3MS	"BLANK"	MS
46999-0680	-03A15GS-130	130	GS
46999-0685	-03A15MS-130	130	MS
39-30-2030	-03A3-210	210	"BLANK"
39-30-2034	-03A3GS2-210		GS2
39-30-2032	-03A3GS-210		GS
39-30-5038	-03A3S-210		S
46999-0793	-03A3MS-210	210	MS
46999-0563	5566-03A3MS-400	400	MS



PRESS FIT PEG OPTION

LEGEND



THIS DRAWING CONTAINS INFORMATION THAT IS PROPRIETARY TO MOLEX ELECTRONIC TECHNOLOGIES, LLC AND SHOULD NOT BE USED WITHOUT WRITTEN PERMISSION									
DIMENSION UNITS		SCALE		CURRENT REV DESC: MIGRATED					
IN/MM		4:1							
GENERAL TOLERANCES (UNLESS SPECIFIED)									
4 PLACES		±		EC NO: 600618		2018/07/30		MINIFIT JR VERT HDR ASSY W/ PEGS SR	
3 PLACES		± 0.01		DRWN: JBAUMERT		2018/12/07			
2 PLACES		± 0.25 ± 0.02		CHK'D: DSTEIER		2019/01/03		PRODUCT CUSTOMER DRAWING	
1 PLACE		± 0.5 ±		APPR: FSMITH		INITIAL REVISION:			
0 PLACES		±		DRWN: GEP		1990/06/07		DOCUMENT NUMBER	
ANGULAR TOL		± 0.5 °		APPR: FSMITH		2012/09/05		55660330-SD	
DRAFT WHERE APPLICABLE MUST REMAIN WITHIN DIMENSIONS				THIRD ANGLE PROJECTION		DRAWING		SERIES	
				C-SIZE		5566		MATERIAL NUMBER	
								CUSTOMER	
								SHEET NUMBER	
								1 OF 1	

THIS DRAWING REPLACES SDA-5566-03*3*