



产品编号：[39302050](#)

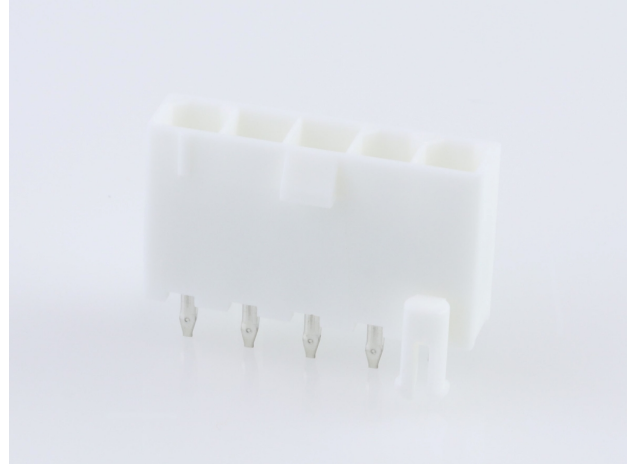
Product Description：Mini-Fit Jr.  
Vertical Header, 4.20mm Pitch, Single Row,  
5 Circuits, with Snap-in Plastic Peg PCB  
Lock, Tin, Natural

系列号：5566

状态：Active

Product Category：PCB Headers and  
Receptacles

工程编号：5566-05A3-210



---

## 文件和资源

### 图纸

[图纸 039302050\\_sd.pdf](#)

[包装设计图 PK-5566-002-000.pdf](#)

### 3D 模型和设计文件

[3D模型 039302050\\_stp.zip](#)

### 规格

[应用规格 AS-5557-001-001.pdf](#)

[产品规格 PS-5556-001-001.pdf](#)

[测试摘要 TS-5556-002-001.pdf](#)

---

## 产物环境合规

### 合规

GADSL/IMDS	Not Relevant
China RoHS	
EU ELV	Not Relevant
Low-Halogen Status	Low-Halogen per IEC 61249-2-21
REACH SVHC	Not Contained per D(2023)3788-DC (14 Jun 2023)
EU RoHS	Compliant per EU 2015/863

### 多部分产品合规性声明

- Eu RoHS

NOTES:

1. MATERIALS:

HOUSING:

- "BLANK"=NYLON 6/6, UNFILLED UL94 V-2, COLOR: NATURAL
- "130"=GLASS FILLED LCP, UL94 V-0, COLOR: BLACK  
IEC 60335-1, 5TH EDITION GLOW WIRE CAPABLE
- "210"=NYLON 6/6, UNFILLED UL94 V-0, COLOR: NATURAL
- "BL"=NYLON 6/6, UNFILLED UL94 V-2, COLOR: BLACK
- "400"=NYLON 6/6, UNFILLED UL94 V-0, COLOR: BLACK

TERMINALS:

BRASS

2. TERMINAL PLATING:

- "BLANK"=.000035/(0.00090) MIN. REFLOWED MATTE TIN OVER  
.000020/(0.00050) MIN. COPPER (PREPLATE)  
(FINISH IS BRIGHT IN APPEARANCE, THICKNESS AS APPLIED PRIOR TO REFLOW)
- GS2=.000015/(0.00038) MIN. SELECT GOLD AND  
.000100/(0.00254) MIN. SELECT MATTE TIN  
OVER .000050/(0.00127) MIN. NICKEL OVERALL
- GS=.000030/(0.00076) MIN. SELECT GOLD AND  
.000100/(0.00254) MIN. SELECT MATTE TIN  
OVER .000050/(0.00127) MIN. NICKEL OVERALL
- S=.000100/(0.00254) MIN. BRIGHT TIN OVER  
.000050/(0.00127) MIN. NICKEL
- MS=.000100/(0.00254) MIN. MATTE TIN OVER  
.000050/(0.00127) MIN. NICKEL

3. PRODUCT SPECIFICATION: PS-5556-001

4. PACKAGING: TRAY PACKED PER PK-5566-002

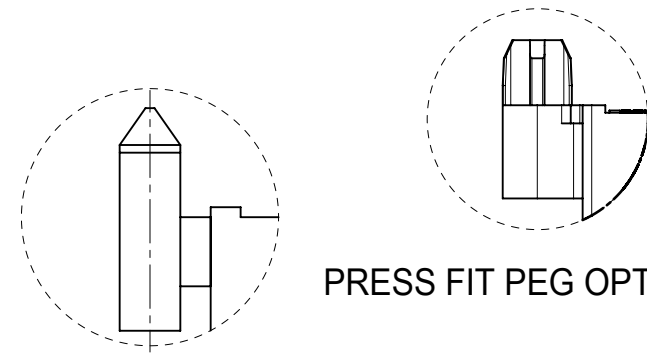
5. PART MATES WITH MINI-FIT JR. RECEPTACLE NO. 5557.

6. PART IS NOT DESIGNED FOR CURRENT SHARING.

7. PARTS ARE NOT TO BE MATED OR UN-MATED WHILE CIRCUITS ARE LIVE.

8. PART CONFORMS TO CLASS "B" REQUIREMENTS OF COSMETIC SPECIFICATION PS-45499-002.

9. 5 CIRCUIT PARTS HAVE PEG DESIGN B. ALL OTHER CIRCUIT SIZES HAVE PEG DESIGN A.



PEG DESIGN B  
SEE NOTE 9

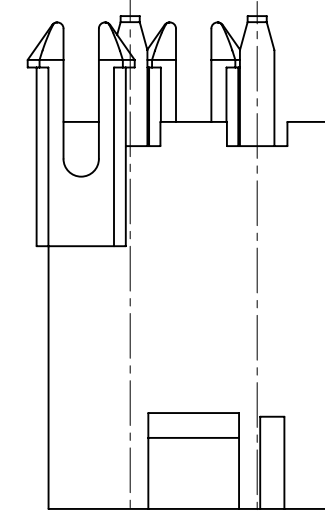
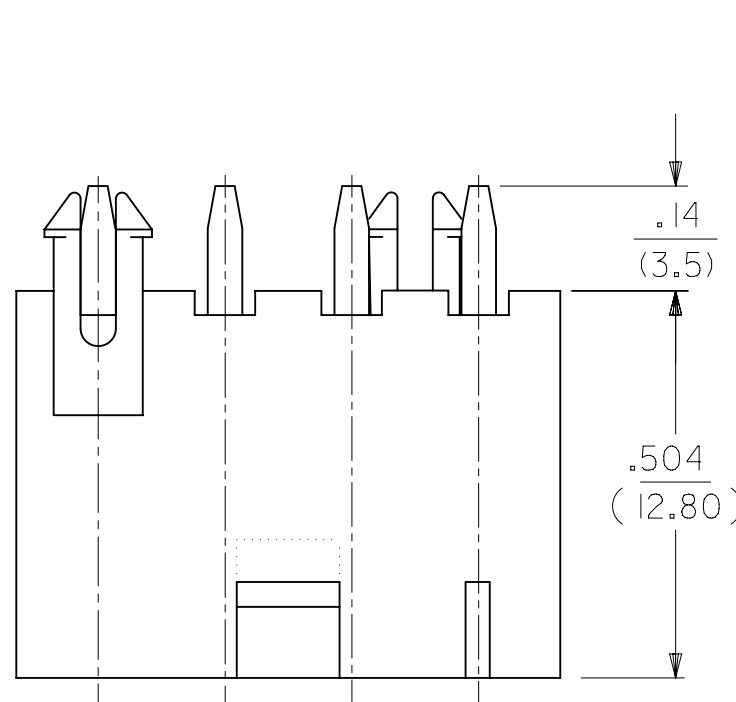
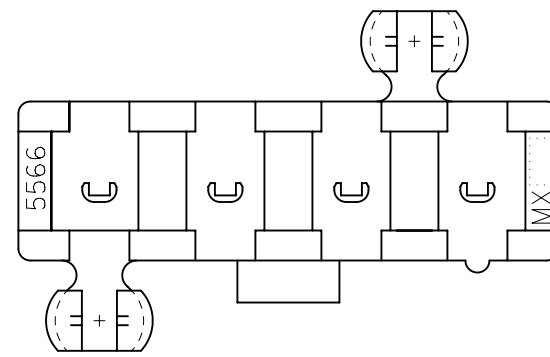
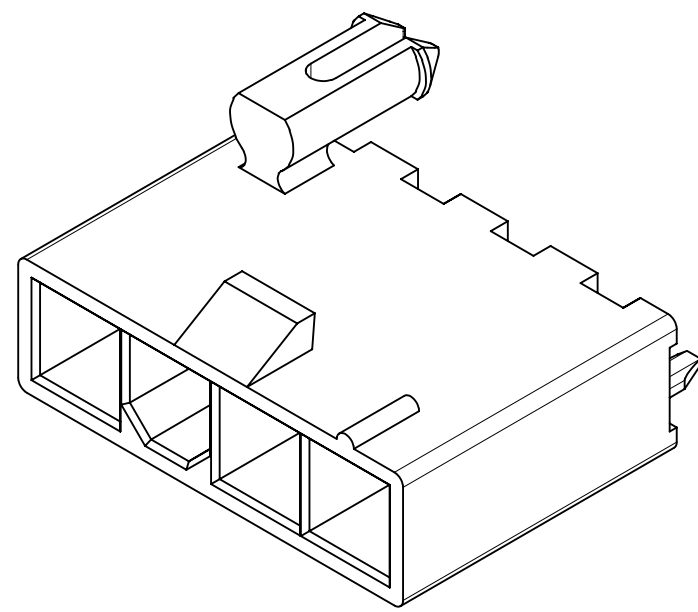
PRESS FIT PEG OPTION

PEG DESIGN A  
SEE NOTE 9

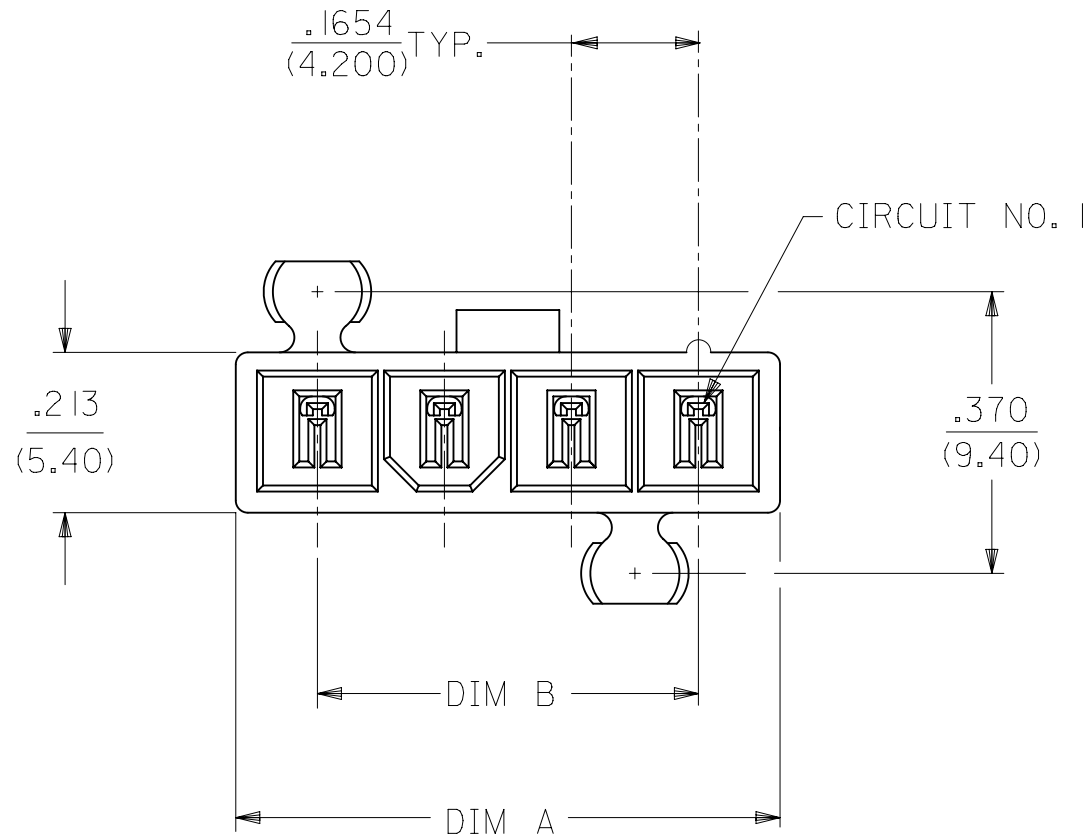
LOCK OPTION

POSITIVE LOCK

PASSIVE LOCK



2 CIRCUIT



CKT SIZE	DIM A	DIM B
2	.378 (9.60)	.165 (4.20)
4	.709 (18.00)	.496 (12.60)
5	.874 (22.20)	.661 (16.80)
6	1.039 (26.40)	.827 (21.00)
7	1.205 (30.60)	.992 (25.20)
8	1.370 (34.80)	1.157 (29.40)
9	1.535 (39.00)	1.323 (33.60)
10	1.701 (43.20)	1.488 (37.80)
11	1.866 (47.40)	1.654 (42.00)
12	2.031 (51.60)	1.819 (46.20)

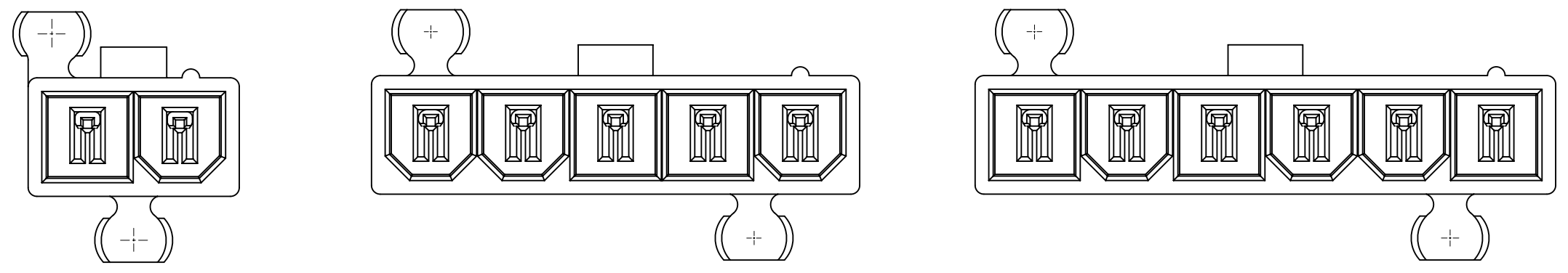
LEGEND:

- 5566 - N A \* \* - \*
- CIRCUIT SIZE (04-12)
- PEG AND LOCK OPTION  
3=MTG. PEGS, POSITIVE LOCK  
4=MTG. PEGS, PASSIVE LOCK  
15=MTG. PRESS FIT PEGS, POSITIVE LOCK
- PLATING (SEE NOTE 2)
- HOUSING MAT'L (SEE NOTE 1)

THIS DRAWING REPLACES SDA-5566-NL\*

<b>SYMBOLS</b> DIMENSION UNITS SCALE CURRENT REV DESC: MIGRATED	THIS DRAWING CONTAINS INFORMATION THAT IS PROPRIETARY TO MOLEX ELECTRONIC TECHNOLOGIES, LLC AND SHOULD NOT BE USED WITHOUT WRITTEN PERMISSION	<b>molex</b>  VERT HDR ASSY W/ PEGS MINIFIT JR SR  PRODUCT CUSTOMER DRAWING
	DIMENSION UNITS: IN/MM SCALE: 4:1 GENERAL TOLERANCES (UNLESS SPECIFIED) 4 PLACES ± 3 PLACES ± 0.015 2 PLACES ± 0.38 ± 0.02 1 PLACE ± 0.5 ± 0 PLACES ± ANGULAR TOL ± 0.5 ° DRAFT WHERE APPLICABLE MUST REMAIN WITHIN DIMENSIONS	

DOCUMENT STATUS	P1	RELEASE DATE	2019/01/03	18:50:31
-----------------	----	--------------	------------	----------

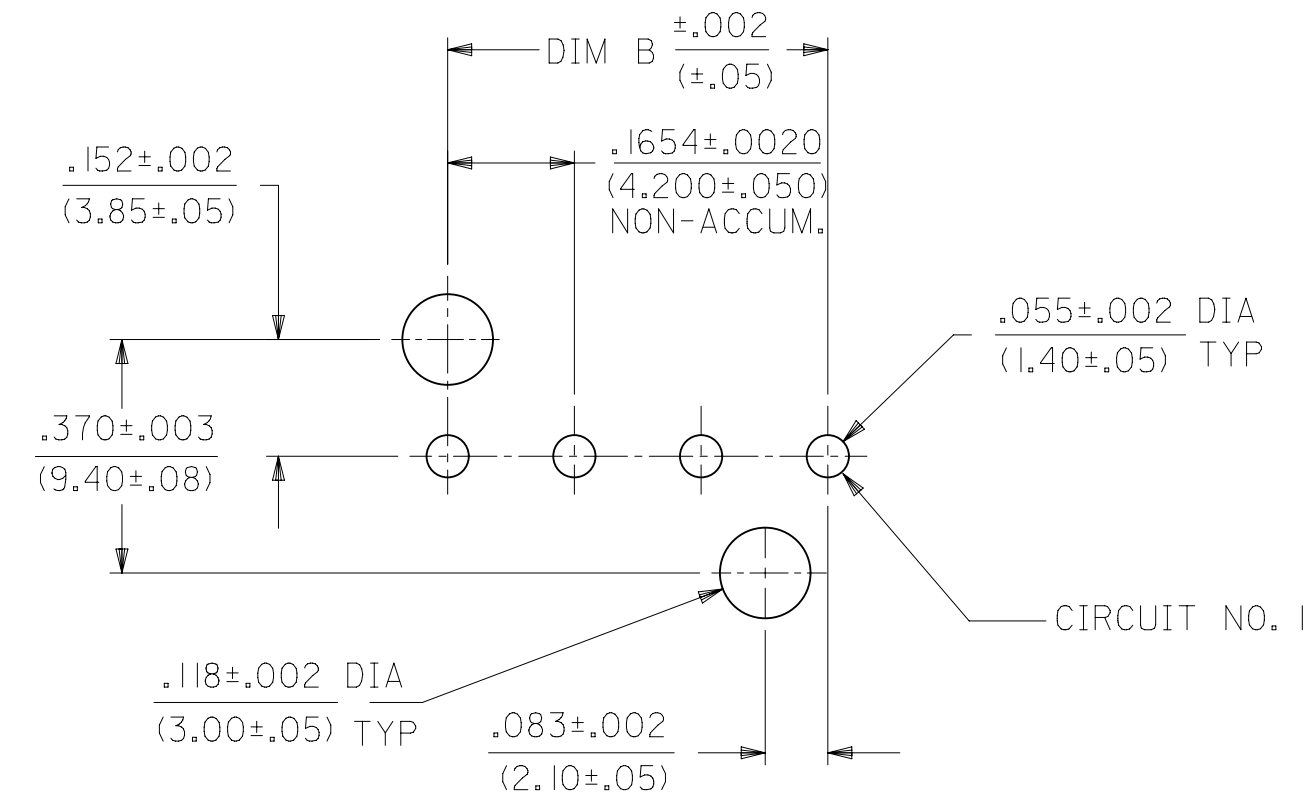


2 CIRCUIT

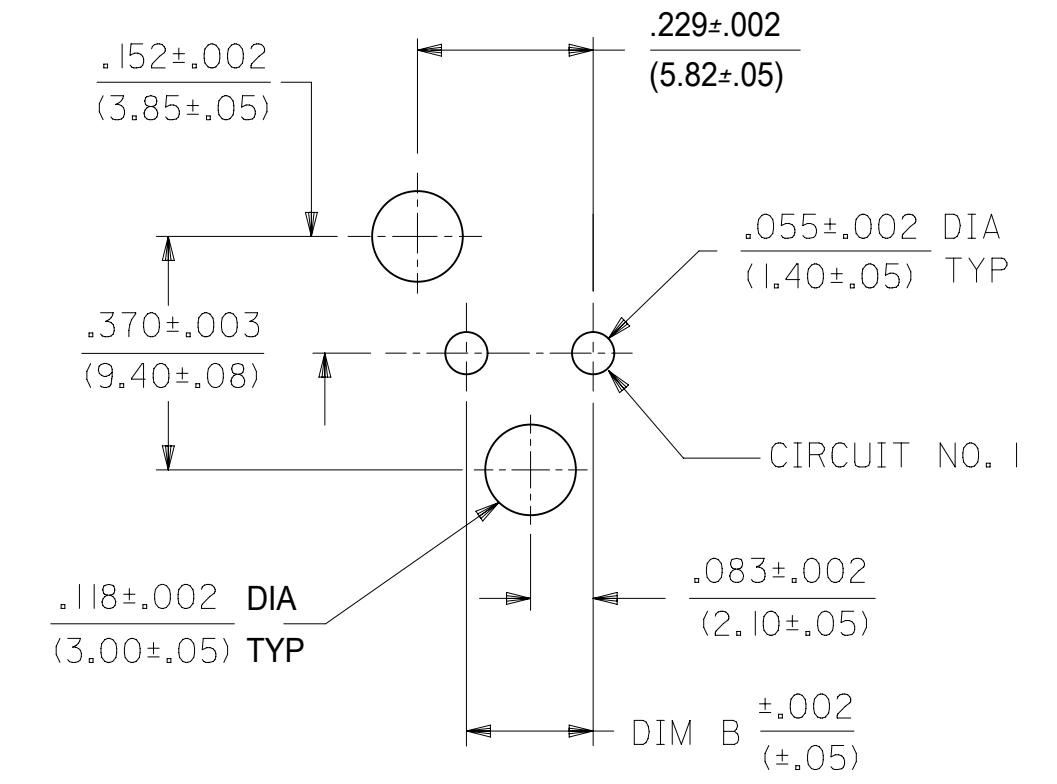
5 CIRCUIT

6 CIRCUIT

POLARIZATION



RECOMMENDED HOLE LAYOUT FOR  
.070/(1.78) MAX. THICK P. C. BOARD  
VIEWED FROM COMPONENT SIDE  
4-12 CIRCUIT PART



RECOMMENDED HOLE LAYOUT FOR  
.070/(1.78) MAX. THICK P. C. BOARD  
VIEWED FROM COMPONENT SIDE  
2 CIRCUIT PART

SYMBOLS	THIS DRAWING CONTAINS INFORMATION THAT IS PROPRIETARY TO MOLEX ELECTRONIC TECHNOLOGIES, LLC AND SHOULD NOT BE USED WITHOUT WRITTEN PERMISSION									
	DIMENSION UNITS		SCALE		CURRENT REV DESC: MIGRATED					
▽ = 0	IN/MM		4:1		<b>molex</b> VERT HDR ASSY W/ PEGS MINIFIT JR SR PRODUCT CUSTOMER DRAWING					
▽ = 0	GENERAL TOLERANCES (UNLESS SPECIFIED)									
▽ = 0			MM	INCH	EC NO: 600618		2018/07/30		DOCUMENT NUMBER	
▽ = 0	4 PLACES ±				DRWN: JBAUMERT		2018/12/07		55660001-SD	
▽ = 0	3 PLACES ±		± 0.015		CHK'D: DSTEIER		2019/01/03		DOC TYPE DOC PART REVISION	
▽ = 0	2 PLACES ±		0.38 ± 0.02		APPR: FSMITH				PSD 000 A	
▽ = 0	1 PLACE ±		0.5 ±		INITIAL REVISION:				MATERIAL NUMBER CUSTOMER SHEET NUMBER	
▽ = 0	0 PLACES ±				DRWN: KSS		1989/02/19		SEE TABLE	
▽ = 0	ANGULAR TOL ± 0.5 °				APPR: FSMITH		2012/05/06		2 OF 3	
▽ = 0	DRAFT WHERE APPLICABLE MUST REMAIN WITHIN DIMENSIONS				THIRD ANGLE PROJECTION		DRAWING SERIES		C-SIZE 5566	

H POSITIVE LOCK WITH MTG. PEGS, 94V-2 HOUSING MATERIAL			
PART NO	ENG NO	CKT SIZE	PLATING OPTION
39-30-1049	5566-04A3	4	TIN OVER COPPER
39-30-1059	5566-05A3	5	TIN OVER COPPER
46999-0669	5566-02A3GS	2	30 M.I. SELECT GOLD
39-30-2041	5566-04A3GS	4	30 M.I. SELECT GOLD
39-30-2051	5566-05A3GS	5	30 M.I. SELECT GOLD
39-30-2061	5566-06A3GS	6	30 M.I. SELECT GOLD
50-36-2453	5566-04A3S	4	BRIGHT TIN OVER NICKEL
50-36-2454	5566-05A3S	5	BRIGHT TIN OVER NICKEL
46999-0673	5566-02A3MS	2	MATTE TIN OVER NICKEL
46999-0610	5566-04A3MS	4	MATTE TIN OVER NICKEL
46999-0611	5566-05A3MS	5	MATTE TIN OVER NICKEL
46999-0674	5566-06A3MS	6	MATTE TIN OVER NICKEL

I POSITIVE LOCK WITH PRESS FIT PEGS, 94V-0 LCP			
PART NO	ENG NO	CKT SIZE	PLATING OPTION
46999-0679	5566-02A15GS-130	2	30 M.I. SELECT GOLD
46999-0681	5566-04A15GS-130	4	30 M.I. SELECT GOLD
46999-0682	5566-05A15GS-130	5	30 M.I. SELECT GOLD
46999-0683	5566-06A15GS-130	6	30 M.I. SELECT GOLD
46999-0684	5566-02A15MS-130	2	MATTE TIN OVER NICKEL
46999-0686	5566-04A15MS-130	4	MATTE TIN OVER NICKEL
46999-0687	5566-05A15MS-130	5	MATTE TIN OVER NICKEL
46999-0688	5566-06A15MS-130	6	MATTE TIN OVER NICKEL

J PASSIVE LOCK WITH MTG. PEGS, 94V-2 HOUSING MATERIAL			
PART NO	ENG NO	CKT SIZE	PLATING OPTION
NO E.D.P.	5566-04A4GS	4	30 M.I. SELECT GOLD
NO E.D.P.	5566-05A4GS	5	30 M.I. SELECT GOLD

K PASSIVE LOCK WITH MTG. PEGS, 94V-0 HOUSING MATERIAL			
PART NO	ENG NO	CKT SIZE	PLATING OPTION
NO E.D.P.	5566-04A4GS-210	4	30 M.I. SELECT GOLD
NO E.D.P.	5566-05A4GS-210	5	30 M.I. SELECT GOLD

L POSITIVE LOCK WITH MTG. PEGS, 94V-2 BLACK HOUSING			
PART NO	ENG NO	CKT SIZE	PLATING OPTION
50-29-1528	5566-04A3-BL	4	TIN OVER COPPER
50-29-1529	5566-05A3-BL	5	TIN OVER COPPER
26-01-3162	5566-04A3S-BL	4	BRIGHT TIN OVER NICKEL
26-01-3163	5566-05A3S-BL	5	BRIGHT TIN OVER NICKEL

M POSITIVE LOCK WITH MTG. PEGS, 94V-0 HOUSING MATERIAL			
PART NO	ENG NO	CKT SIZE	PLATING OPTION
39-30-2040	5566-04A3-210	4	TIN OVER COPPER
39-30-2050	5566-05A3-210	5	TIN OVER COPPER
46999-0670	5566-02A3GS-210	2	30 M.I. SELECT GOLD
39-30-2042	5566-04A3GS-210	4	30 M.I. SELECT GOLD
39-30-2052	5566-05A3GS-210	5	30 M.I. SELECT GOLD
39-30-2062	5566-06A3GS-210	6	30 M.I. SELECT GOLD
50-36-2356	5566-04A3S-210	BRIGHT TIN OVER NICKEL	
50-36-2452	5566-05A3S-210	BRIGHT TIN OVER NICKEL	
46999-0675	5566-02A3MS-210	2	MATTE TIN OVER NICKEL
46999-0627	5566-04A3MS-210	4	MATTE TIN OVER NICKEL
46999-0628	5566-05A3MS-210	5	MATTE TIN OVER NICKEL
46999-0676	5566-06A3MS-210	6	MATTE TIN OVER NICKEL

N POSITIVE LOCK WITH MTG. PEGS, 94V-0 BLACK HOUSING			
PART NO	ENG NO	CKT SIZE	PLATING OPTION
46999-0671	5566-02A3GS-400	2	30 M.I. SELECT GOLD
46999-0506	5566-04A3GS-400	4	30 M.I. SELECT GOLD
46999-0507	5566-05A3GS-400	5	30 M.I. SELECT GOLD
46999-0672	5566-06A3GS-400	6	30 M.I. SELECT GOLD
46999-0677	5566-02A3MS-400	2	MATTE TIN OVER NICKEL
46999-0577	5566-04A3MS-400	4	MATTE TIN OVER NICKEL
46999-0578	5566-05A3MS-400	5	MATTE TIN OVER NICKEL
46999-0678	5566-06A3MS-400	6	MATTE TIN OVER NICKEL

O DOCUMENT STATUS			
P1	RELEASE DATE	2019/01/03	18:50:31

<b>SYMBOLS</b> = 0 = 0 = 0 = 0 = 0 = 0 = 0 = 0 = 0	THIS DRAWING CONTAINS INFORMATION THAT IS PROPRIETARY TO MOLEX ELECTRONIC TECHNOLOGIES, LLC AND SHOULD NOT BE USED WITHOUT WRITTEN PERMISSION															
	DIMENSION UNITS		SCALE		CURRENT REV DESC: MIGRATED											
	IN/MM		1:1													
	GENERAL TOLERANCES (UNLESS SPECIFIED)				EC NO: 600618 DRWN: JBAUMERT 2018/07/30 CHK'D: DSTEIER 2018/12/07 APPR: FSMITH 2019/01/03						VERT HDR ASSY W/ PEGS MINIFIT JR SR					
	4 PLACES ±		MM												INCH	
	3 PLACES ±		0.38		0.02		INITIAL REVISION:		DOCUMENT NUMBER <b>55660001-SD</b>							
	2 PLACES ±		0.5		0		DRWN: KSS 1989/02/19									
	1 PLACE ±		0.5		0		APPR: FSMITH 2012/05/06		DOC TYPE		DOC PART		REVISION			
	0 PLACES ±		0.5 °		THIRD ANGLE PROJECTION		DRAWING		SERIES		MATERIAL NUMBER		CUSTOMER		SHEET NUMBER	
	DRAFT WHERE APPLICABLE MUST REMAIN WITHIN DIMENSIONS						C-SIZE		5566		SEE TABLE				3 OF 3	

- REACH SVHC

- Low-Halogen

多部分行业合规性文件

- IPC 1752A Class C

- IPC 1752A Class D

- Molex Product Compliance Declaration

- IEC-62474

- chemSHERPA (xml)

欧盟 RoHS 合格证书

---

## 产品详情

### 常规

状态	活动
类别	PCB Headers and Receptacles
系列	5566
说明	Mini-Fit Jr. Vertical Header, 4.20mm Pitch, Single Row, 5 Circuits, with Snap-in Plastic Peg PCB Lock, Tin, Natural
应用	Power, Wire-to-Board
个评论	The 5566 header should be used with standard Mini-Fit female terminals. If increased amperage of up to 13A per circuit is needed, please consider using the Mini-Fit Plus HCS family 45750 terminals with 46014 headers; See Molex Product specification for current de-rating information.
元件类型	PCB Header
产品系列	Mini-Fit Family Power Connectors
产品名称	Mini-Fit Jr.
UPC	800754380133

### 机构

CSA	LR19980
UL	E29179

### 电气

每触点最大电流	9.0A
---------	------

电压 - 最大	600V
---------	------

## 物理

断开	否
回路数 (已载入)	5
电路数 (最多)	5
颜色-树脂	Natural
耐用性(插拔次数) - 最多次数	30
先接后断	否
阻燃性	94V-0
符合灼热丝规范	否
可配插产品指南	否
插接极性	无
锁定插接部位	是
材料 - 金属	Brass
材料 - 接合部位电镀	Tin
材料 - 终端电镀	Tin
材料 - 树脂	Nylon
净重	1.266/g
行数	1
方向	垂直
包装形式	Tray
PC 焊脚长度	3.50mm
PCB 定位器	是
PCB 保持力	是
推荐的 PCB 厚度	1.60mm
间距 - 插配接口	4.20mm
间距 - 终端界面	4.20mm
最薄镀层 - 接合部位	0.889µm
最薄镀层 - 端接	0.889µm
有极性的插配件	是
PCB 极性	是
有护墙的	Fully
可堆叠的	否
运行温度范围	-40° to +105° C

终端界面类型	Through Hole
--------	--------------

## 进程

最长持续时间	5
无铅	WAVE
最大周期	1
最高温度	240

---

## 可配插/可连接使用的产品

### 可配插部件

描述	产品编号
Mini-Fit Jr. Receptacle Housings	<u>5557</u>
Mini-Fit TPA2 and Mini-Fit Sigma Dual Row Receptacle Housings	<u>172708</u>
Mini-Fit TPA2-to-Mini-Fit TPA2 Off-the-Shelf (OTS) Cable Assemblies	<u>145135</u>