



产品编号：[39303035](#)

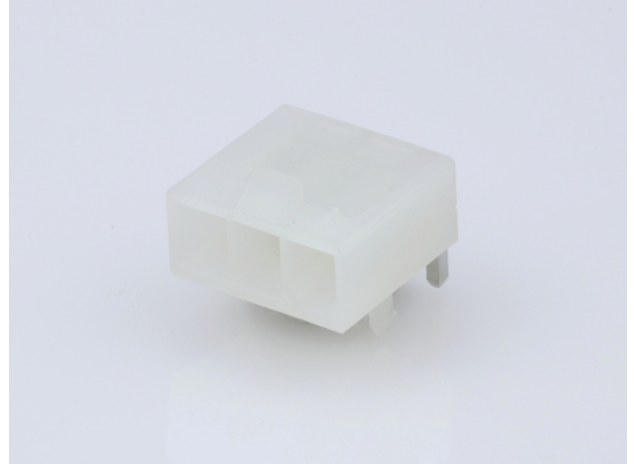
Product Description：Mini-Fit Jr. Header, Single Row, Right-Angle, with Snap-in Plastic Peg PCB Lock, 3 Circuits, PA Polyamide Nylon 6/6, 94V-2, Tin (Sn) Plating

系列号：5569

状态：Active

Product Category：PCB Headers and Receptacles

工程编号：5569-03A4



文件和资源

图纸

[图纸 039303035_sd.pdf](#)

3D 模型和设计文件

[3D模型 039303035_stp.zip](#)

规格

[应用规格 AS-5557-001-001.pdf](#)

[包装规格 PK-5569-002-001.pdf](#)

[产品规格 PS-45750-001-001.pdf](#)

[产品规格 PS-5556-001-001.pdf](#)

[测试摘要 TS-5556-002-001.pdf](#)

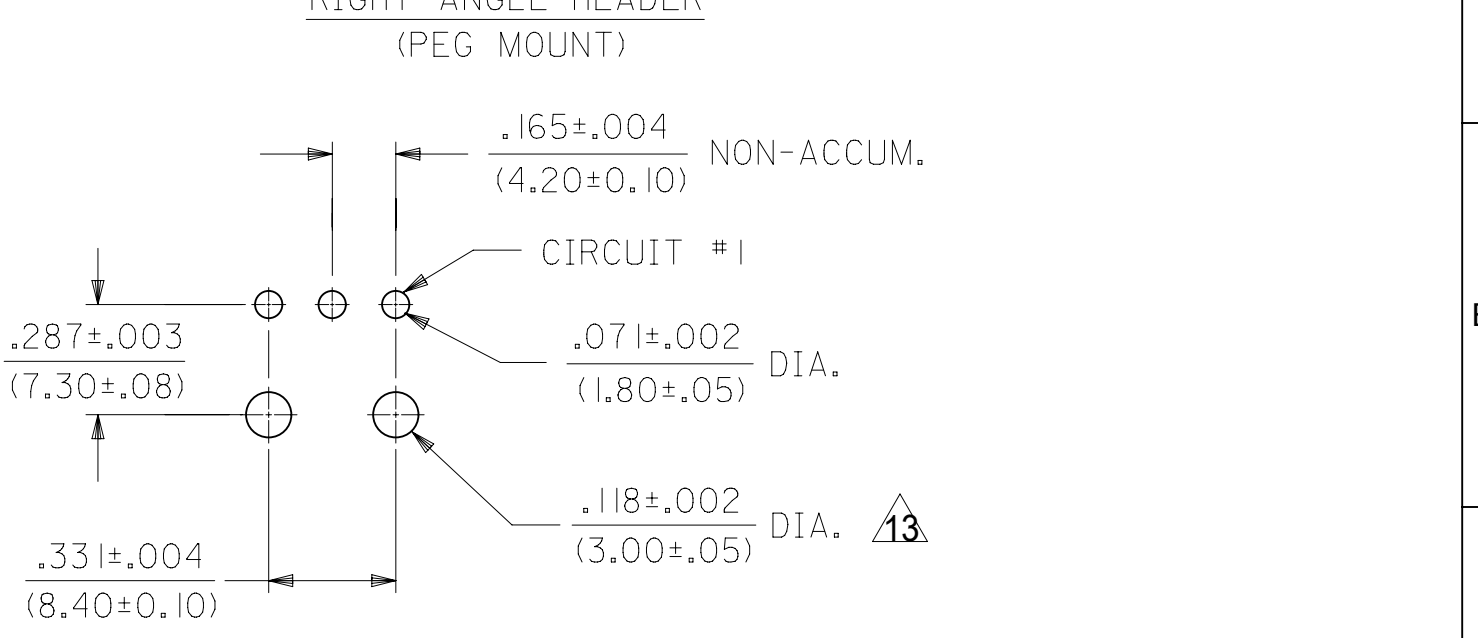
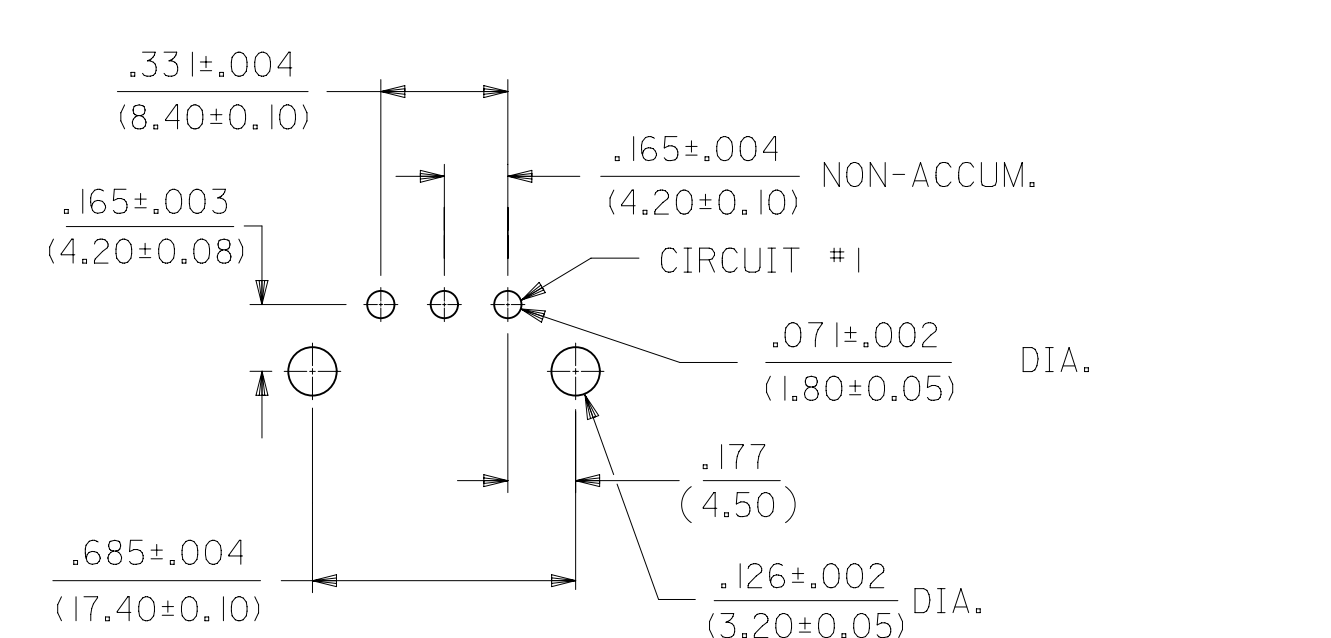
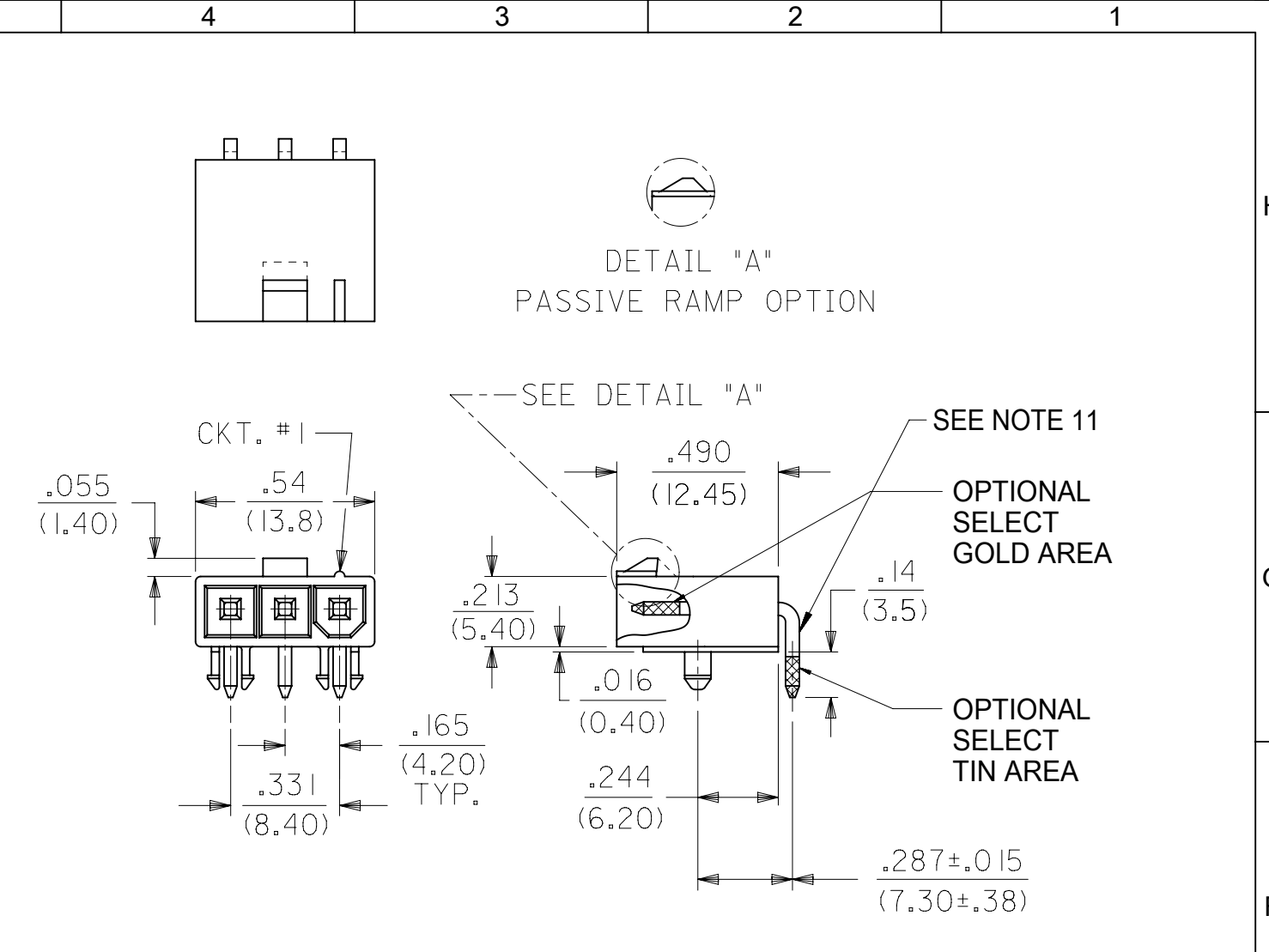
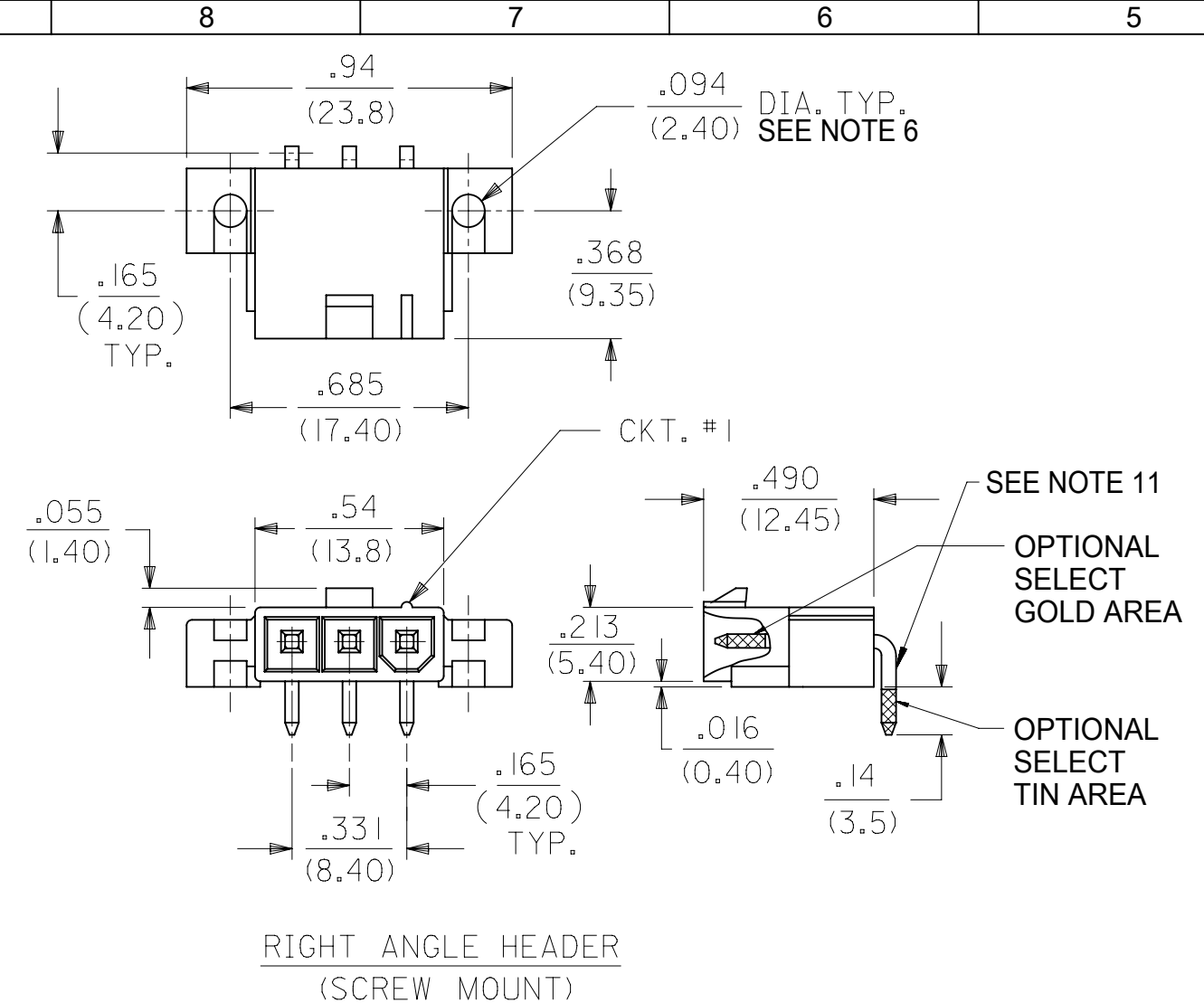
产物环境合规

合规

GADSL/IMDS	Not Relevant
China RoHS	
EU ELV	Not Relevant
Low-Halogen Status	Low-Halogen per IEC 61249-2-21
REACH SVHC	Not Contained per D(2023)3788-DC (14 Jun 2023)
EU RoHS	Compliant per EU 2015/863

[多部分产品合规性声明](#)

PART NUMBER	ENGINEERING NUMBER	MOUNT OPTION	PLATING	MAT'L.	PACKAGING
39-31-1032	5569-03A4-BL	4	BLANK	BL	BULK
39-30-3035	5569-03A4	4	BLANK	BLANK	
39-30-4033	5569-03A4GS2	4	15 GOLD	BLANK	
39-30-3037	5569-03A4G	4	30 GOLD	BLANK	
39-30-3032	5569-03A3-210	3	BLANK	210	TRAY
39-30-3034	5569-03A3G-210	3	30 GOLD		
39-30-3036	5569-03A4-210	4	BLANK		BULK
39-30-4030	5569-03A4G2-210	4	15 GOLD		
39-30-3038	5569-03A4G-210	4	30 GOLD	210	
NO E.D.P.	5569-03A5G	5	30 GOLD	BLANK	
NO E.D.P.	5569-03A5MS	5	TIN/NICKEL	BLANK	
NO E.D.P.	5569-03A5G-210	5	30 GOLD	210	
39-34-3037	5569-03A5MS-210	5	TIN/NICKEL	210	
46999-0700	5569-03A8MS-130	8	TIN/NICKEL	130	TRAY

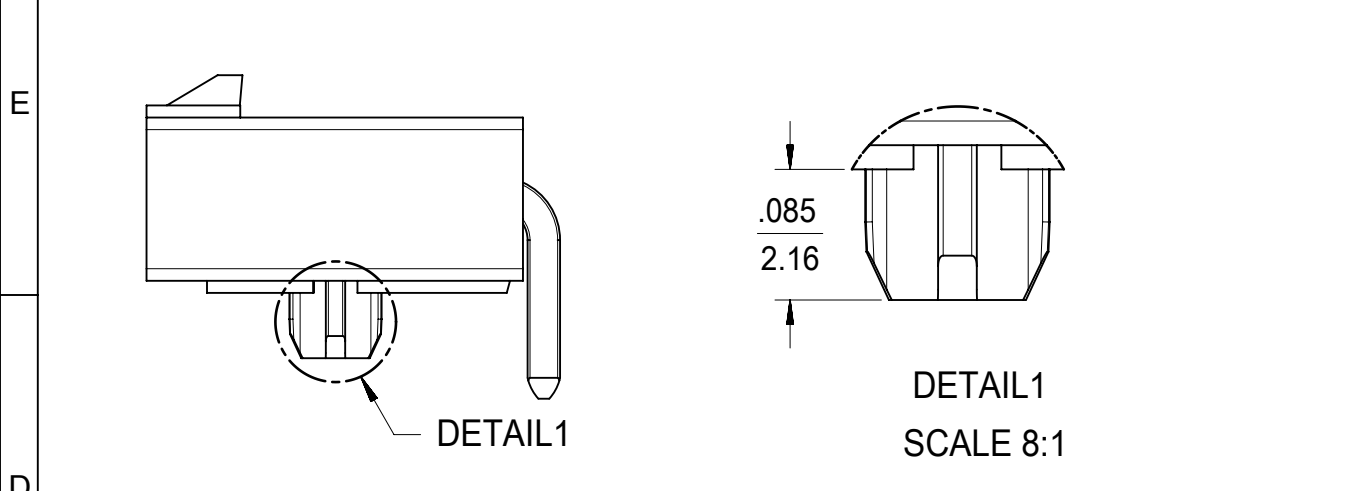
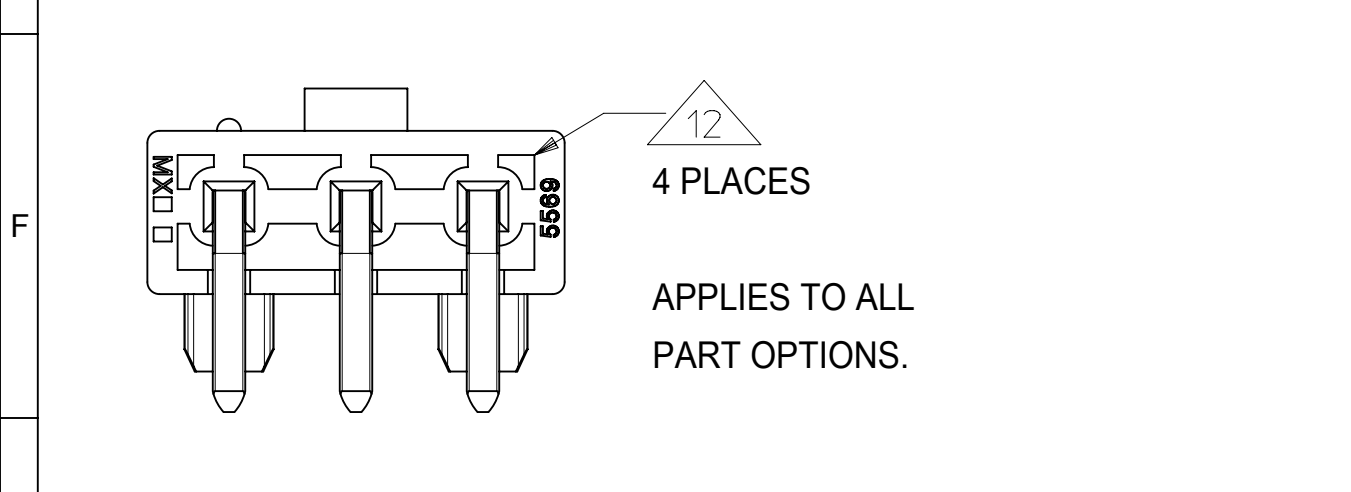


RIGHT ANGLE HEADER (SCREW MOUNT)

RECOMMENDED HOLE LAYOUT FOR .070/(1.78) MAX. THICK P.C. BOARD VIEWED FROM COMPONENT SIDE

RIGHT ANGLE HEADER (PEG MOUNT)

RECOMMENDED HOLE LAYOUT FOR .070/(1.78) MAX. THICK P.C. BOARD VIEWED FROM COMPONENT SIDE

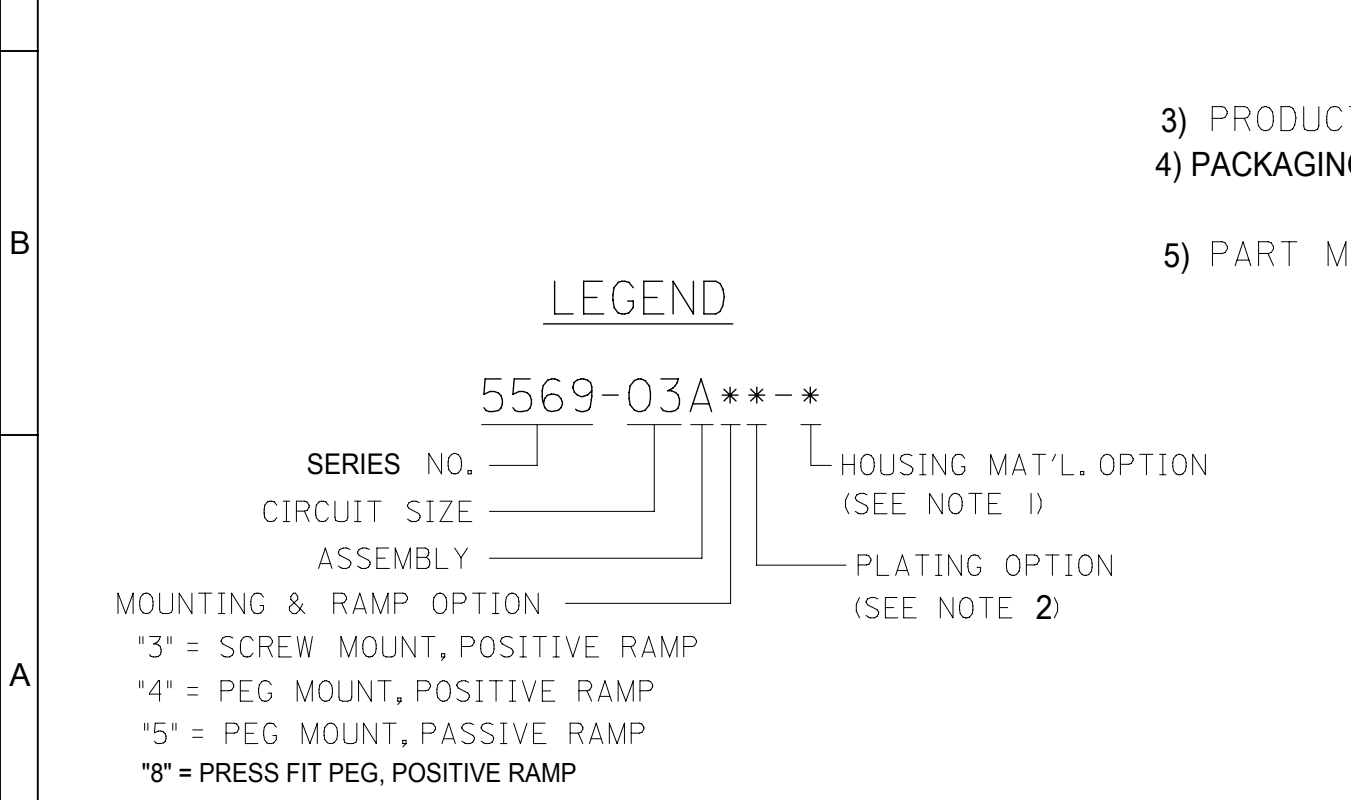


NOTES:

1) HOUSING MATERIAL:
 "BLANK" = NYLON 6/6, U.L. 94V-2, COLOR: NATURAL.
 130 = LCP, U.L. 94V-0, COLOR: BLACK
 IEC 60335-1, 5TH EDITION GLOW WIRE CAPABLE
 210 = NYLON 6/6, U.L. 94V-0, COLOR: NATURAL.
 BL = NYLON 6/6, U.L. 94V-2, COLOR: BLACK.
 TERMINAL MATERIAL: BRASS, ALLOY

2) TERMINAL PLATING:
 "BLANK," MS - .000100/(0.00254) MIN. MATTE TIN OVER .000050/(0.00127) MIN. NICKEL
 G - .000030/(.00076) MIN. SELECT GOLD, .000100/(.00254) MIN. SELECT MATTE TIN OVER .000050/(.00127) MIN. NICKEL OVERALL.
 G2,GS2 - .000015/(.00038) MIN. SELECT GOLD, .000100/(.0254) MIN. SELECT MATTE TIN OVER .000050/(.00127) MIN. NICKEL OVERALL.

6) PART IS DESIGNED FOR USE WITH #4 OR M3 SELF TAPPING SCREWS.
 7) DISCOLORATION IN THE BANDOLIER CARRIER AREA OF THE PIN IS INHERENT TO THE PLATING PROCESS AND IS DUE TO THE MASKING EFFECT OF THE CARRIER. THIS DISCOLORATION IS IN A NON-FUNCTIONAL AREA OF THE PIN AND WILL NOT AFFECT THE PERFORMANCE OF THE HEADER ASSEMBLY.
 8) CONNECTORS ARE NOT BE BE MATED OR UNMATED WHILE CIRCUITS ARE LIVE.
 9) PARTS ARE NOT DESIGNED FOR CURRENT SHARING.
 10) PART CONFORMS TO CLASS "B" REQUIREMENTS OF "COSMETIC SPECIFICATION PS-45499-002."
 11) FORMING MARKS ON PINS ARE ACCEPTABLE
 12) CORNER CORE-OUTS ARE OPTIONAL AND MAY OR MAY NOT BE PRESENT
 13) HOLE TOLERANCE FOR PART NUMBER 46999-0700 IS ±.001 / ±0.03



3) PRODUCT SPECIFICATION: PS-5556-001

4) PACKAGING SPECIFICATION: BULK PACK PER PK-5569-002
 TRAY PACK PER PK-5569-005

5) PART MATES WITH MOLEX RECEPTACLE #5557.

SYMBOLS		THIS DRAWING CONTAINS INFORMATION THAT IS PROPRIETARY TO MOLEX ELECTRONIC TECHNOLOGIES, LLC AND SHOULD NOT BE USED WITHOUT WRITTEN PERMISSION	
DIMENSION UNITS	SCALE	CURRENT REV DESC: MIGRATE TO ECTR	
IN/MM	10:1		
GENERAL TOLERANCES (UNLESS SPECIFIED)			
4 PLACES	±	MM	INCH
3 PLACES	±	0.25	0.015
2 PLACES	±	0.38	
1 PLACE	±		
0 PLACES	±		
ANGULAR TOL	± 3.0°		
DRAFT WHERE APPLICABLE MUST REMAIN WITHIN DIMENSIONS			
THIRD ANGLE PROJECTION			
DRAWING		SERIES	
C-SIZE		5569	
EC NO: 172489		DRWN: ANESSER 2018/01/26	
CHK'D: JBELL 2018/02/20		APPR: FSMITH 2018/02/22	
INITIAL REVISION:		DRWN: GEP 1990/09/20	
APPR: FSMITH 2014/05/16		SERIES	
DOCUMENT NUMBER		DOC TYPE	
55690304-SD		PSD 000 A	
MATERIAL NUMBER		CUSTOMER	
SEE CHART		GENERAL MARKET	
SHEET NUMBER		1 OF 1	

- Eu RoHS
- REACH SVHC
- Low-Halogen

多部分行业合规性文件

- IPC 1752A Class C
- IPC 1752A Class D
- Molex Product Compliance Declaration
- IEC-62474
- chemSHERPA (xml)

欧盟 RoHS 合格证书

产品详情

常规

状态	活动
类别	PCB Headers and Receptacles
系列	5569
说明	Mini-Fit Jr. Header, Single Row, Right-Angle, with Snap-in Plastic Peg PCB Lock, 3 Circuits, PA Polyamide Nylon 6/6, 94V-2, Tin (Sn) Plating
应用	Power, Wire-to-Board
个评论	Current = 13A max. per circuit when header is mated to a receptacle loaded with 45750 Mini-Fit Plus HCS Crimp Terminal Crimped to 16 AWG wire. See Molex Product specification PS-5556-001 for additional current de-rating information.
元件类型	PCB Header
产品系列	Mini-Fit Family Power Connectors
产品名称	Mini-Fit Jr.
UPC	800753579699

机构

CSA	LR19980
UL	E29179

电气

每触点最大电流	13.0A
---------	-------

电压 - 最大	600V
---------	------

物理

断开	否
回路数 (已载入)	3
电路数 (最多)	3
颜色-树脂	Natural
耐用性(插拔次数) - 最多次数	30
先接后断	否
阻燃性	94V-2
符合灼热丝规范	否
可配插产品指南	否
插接极性	无
锁定插接部位	是
材料 - 金属	Brass
材料 - 接合部位电镀	Matte Tin
材料 - 终端电镀	Matte Tin
材料 - 树脂	Nylon
净重	1.096/g
行数	1
方向	Right Angle
包装形式	Bag
PCB 定位器	是
PCB 保持力	是
推荐的 PCB 厚度	1.78mm
间距 - 插配接口	4.20mm
间距 - 终端界面	4.20mm
最薄镀层 - 接合部位	2.540µm
最薄镀层 - 端接	2.540µm
有极性的插配件	是
PCB 极性	是
有护墙的	Fully
可堆叠的	否
运行温度范围	-40° to +105° C
终端界面类型	Through Hole

进程

最长持续时间	5
无铅	WAVE
最大周期	1
最高温度	240

可配插/可连接使用的产品

可配插部件

描述	产品编号
Mini-Fit Jr. Receptacle Housing, Single Row, 3 Circuits, UL 94V-2, Natural	<u>0039014030</u>
Mini-Fit TPA2 and Mini-Fit Sigma Dual Row Receptacle Housings	<u>172708</u>
Mini-Fit TPA2-to-Mini-Fit TPA2 Off-the-Shelf (OTS) Cable Assemblies	<u>145135</u>