



产品编号 : 39532045

系列号 : 5597

Product Category : FFC / FPC Connectors

Product Description : 1.25mm Pitch Easy-On FFC/FPC Connector, Through-Hole, Vertical, ZIF, 4 Circuits

状态 : Active

工程编号 : 5597-04CPB7F

文件和资源

图纸

图纸 039532045_sd.pdf

3D 模型和设计文件

3D模型 039532045_stp.zip


规格

包装规格 SPK-5597-001-001.pdf

产品规格 PS-5597-004-001.pdf

产物环境合规

合规

GADSL/IMDS	Not Relevant
China RoHS	
EU ELV	Not Relevant
Low-Halogen Status	Not Low-Halogen per IEC 61249-2-21
REACH SVHC	Not Contained per D(2023)8585-DC (23 Jan 2024)
EU RoHS	Compliant per EU 2015/863

多部分产品合规性声明

- Eu RoHS
- REACH SVHC
- Low-Halogen

- IPC 1752A Class C
- IPC 1752A Class D
- Molex Product Compliance Declaration
- IEC-62474

产品详情

常规

状态	活动
类别	FFC / FPC Connectors
系列	5597
说明	1.25mm Pitch Easy-On FFC/FPC Connector, Through-Hole, Vertical, ZIF, 4 Circuits
产品系列	Easy-On FFC FPC Connectors
产品名称	Easy-On
UPC	822348188895

机构

UL	E29179
----	--------

电气

每触点最大电流	1.0A
电压 - 最大	200V

物理

驱动器类型	Slider
回路数 (已载入)	4
电路数 (最多)	4
颜色-树脂	Natural
接触部位	不适用
耐用性(插拔次数) - 最多次数	30
阻燃性	94V-0
插配长度	7.50mm
材料 - 金属	Phosphor Bronze
材料 - 接合部位电镀	Tin-Bismuth
材料 - 终端电镀	Tin-Bismuth
材料 - 树脂	Polyester

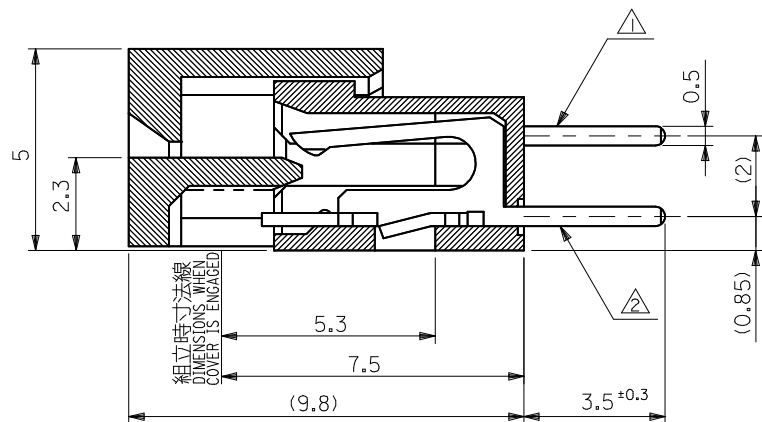
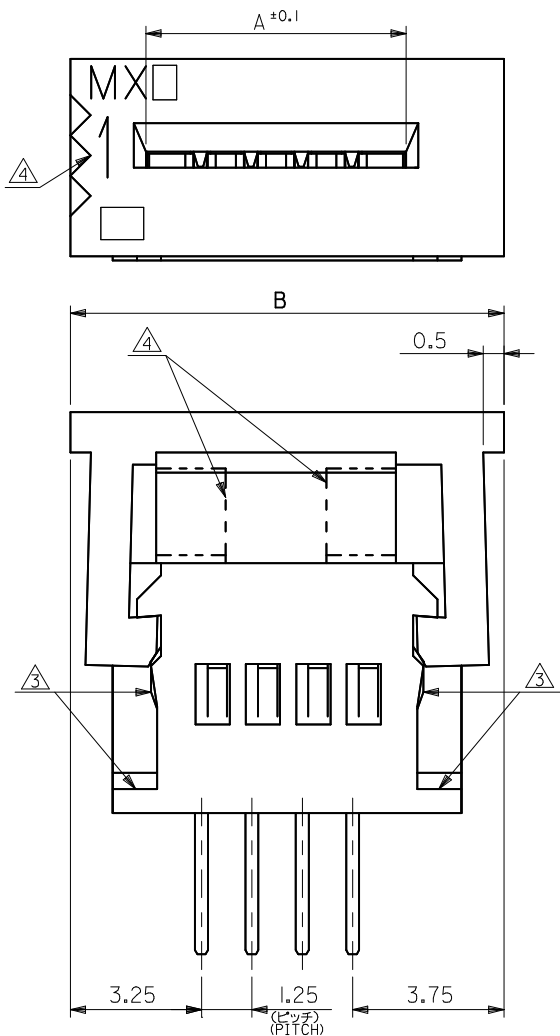
净重	521.960/mg
方向	垂直
包装形式	Tray
PC 焊脚长度	3.50mm
PCB 定位器	否
PCB安装	Through Hole
PCB 保持力	无
间距 - 插配接口	1.25mm
最薄镀层 - 接合部位	1.016µm
最薄镀层 - 端接	1.016µm
PCB 极性	否
可堆叠的	否
运行温度范围	-20° to +80° C
导线/电缆型号	FFC/FPC

可配插/可连接使用的产品

可配插部件

描述	产品编号
1.25mm Pitch Premo-Flex FFC Jumpers	<u>15168</u>
1.25mm Pitch Premo-Flex FFC Jumpers	<u>15268</u>
1.25mm Pitch Premo-Flex FFC Jumpers	<u>98268</u>

10 9 8 7 6 5 4 3 2 1

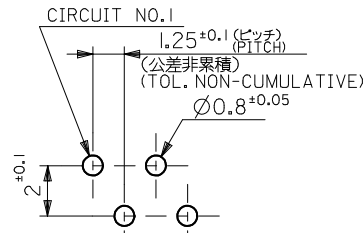


48.25	43.95	39-53-2345	5597 -34CPB7F	34
45.75	41.45	↑ -2325	↑ -32CPB7F	32
44.5	40.2	-2315	-31CPB7F	31
43.25	38.95	-2305	-30CPB7F	30
42	37.7	-2295	-29CPB7F	29
40.75	36.45	-2285	-28CPB7F	28
39.5	35.2	-2275	-27CPB7F	27
38.25	33.95	-2265	-26CPB7F	26
37	32.7	-2255	-25CPB7F	25
35.75	31.45	-2245	-24CPB7F	24
34.5	30.2	-2235	-23CPB7F	23
33.25	28.95	-2225	-22CPB7F	22
32	27.7	-2215	-21CPB7F	21
30.75	26.45	-2205	-20CPB7F	20
29.5	25.2	-2195	-19CPB7F	19
28.25	23.95	-2185	-18CPB7F	18
27	22.7	-2175	-17CPB7F	17
25.75	21.45	-2165	-16CPB7F	16
24.5	20.2	-2155	-15CPB7F	15
23.25	18.95	-2145	-14CPB7F	14
22	17.7	-2135	-13CPB7F	13
20.75	16.45	-2125	-12CPB7F	12
19.5	15.2	-2115	-11CPB7F	11
18.25	13.95	-2105	-10CPB7F	10
17	12.7	-2095	-09CPB7F	9
15.75	11.45	-2085	-08CPB7F	8
14.5	10.2	-2075	-07CPB7F	7
13.25	8.95	-2065	-06CPB7F	6
12	7.7	-2055	-05CPB7F	5
10.75	6.45	↓ -2045	↓ -04CPB7F	4
9.5	5.2	39-53-2035	5597-03CPB7F	3

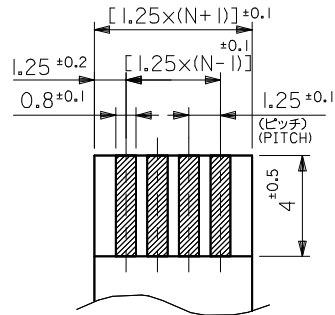
MODEL NO. 5597-NCPB7F B A EDP.NO. ENG. NO. 極数

REVISED EC NO: J2016-0714 DRWN: YIMIZUNO02 2016/01/12 CHKDK: TAKAHASHI 2016/01/12 APPR: KUSUHARA01 2016/01/20	GENERAL TOLERANCES (UNLESS SPECIFIED)			DIMENSION STYLE		SCALE	DESIGN UNITS	THIRD ANGLE PROJECTION	
				MM ONLY		---	METRIC		
	0.25 UNDER	UNDER	±0.03	DRAWN BY	DATE	TITLE			
	0.25 OVER	0.5 UNDER	±0.05	YWADA	04/02/19	1.25 FPC CONN ASSY ZIF			
	0.5 OVER	1.0 UNDER	±0.1	CHECKED BY	DATE	-LEAD FREE-			
	1.0 OVER	30 UNDER	±0.2	MSASAO	04/02/19				
10 OVER	30 UNDER	±0.25	APPROVED BY	DATE					
30 OVER		±0.3	MSASAO	04/02/19					
ANGULAR	±3 °		MATERIAL NO.		DOCUMENT NO.		SHEET NO.		
DRAFT WHERE APPLICABLE MUST REMAIN WITHIN DIMENSIONS			SEE CHART		SD-5597-007		1 OF 2		

9 8 7 6 5 4 3 2 1



CIRCUIT NO.1
1.25±0.1 (ピッチ)
(公差非累積)
(TOL. NON-CUMULATIVE)
Ø0.8±0.05
基板取付穴推奨寸法 (t=1.6)
RECOMMENDED P.C. BOARD
HOLE DIMENSION (SCALE 5:1)



適合FPC/FPC推奨寸法
RECOMMENDED FPC/FPC
厚さ THK : 0.3±0.05(SCALE 5:1)

FPCについて:

打抜き方向は導体側から補強板側を推奨いたします。
補強フィルム材質はポリイミドを推奨致します。
接着剤は熱硬化接着剤を推奨致します。

ABOUT FPC:

RECOMMENDED PUNCHER DIRECTION :
FROM CONDUCTOR SIDE TO STIFFENER BOARD SIDE.
RECOMMENDED MATERIAL:
STIFFENER FILM : POLYIMIDE
BONDING AGENT : THERMOSETTING BONDING AGENT

注記 NOTES

- ① MX J側を基準に奇数番目の極におけるソルダーテール。
SOLDER TAIL OF ODD CKTS, MXJ MARK AS BASIC.
- ② MX J側を基準に偶数番目の極におけるソルダーテール。
SOLDER TAIL OF EVEN CKTS, MXJ MARK AS BASIC.
- ③ 3極~10極に適用。APPLY FOR 3-10 CKTS.
- ④ 3極~19極に適用。APPLY FOR 3-19 CKTS.
5. () 内寸法は、参考値。
() DIMENSION IS FOR REFERENCE.
6. ソルダーテールは、先端が取付推奨穴にガイドされること。
ガイドされること。
SOLDER TAILS MAY BE CHECKED BY INSERTION
FOR RECOMMENDED PCB BOARD HOLES.

7. 使用材料
MATERIAL

ハウジング、アクチュエーター: PBTP, UL94V-0
HOUSING, ACTUATOR: PBTP, UL94V-0
ターミナル: リン青銅 (t=0.3)
PHOSPHOR BRONZE (t=0.3)
錫ビスマスメッキ 1.0µm MIN.
TIN-BISMUTH 1.0 MICROMETER MIN.
ニッケル下地 1.0µm MIN.
NICKEL 1.0 MICROMETER MIN.

8. 本製品は5597-NCPBの鉛フリー品である。
THIS PRODUCT IS LEAD FREE OF 5597-NCPB.

REVISED EC NO: J2016-0714 DRWN: YMIJUN02 2016/01/12 CHKD: K. TAKAHASHI 2016/01/12 APPR: KUSUHARA01 2016/01/20	GENERAL TOLERANCES (UNLESS SPECIFIED)			DIMENSION STYLE MM ONLY		SCALE ---	DESIGN UNITS METRIC	THIRD ANGLE PROJECTION	
	0.25 UNDER	UNDER	±0.03	DRAWN BY	DATE	TITLE			
	0.25 OVER	0.5 UNDER	±0.05	YWADA	04/02/19	1.25 FPC CONN ASSY ZIF			
	0.5 OVER	1.0 UNDER	±0.1	CHECKED BY	DATE	-LEAD FREE-			
	1.0 OVER	10 UNDER	±0.2	MSASAO	04/02/19				
	10 OVER	30 UNDER	±0.25	APPROVED BY	DATE	molex			
30 OVER		±0.3	MSASAO	04/02/19					
ANGULAR	±3 °		MATERIAL NO.	DOCUMENT NO.	SHEET NO.				
DRAFT WHERE APPLICABLE MUST REMAIN WITHIN DIMENSIONS			SIZE A3	SEE CHART SD-5597-007					
THIS DRAWING CONTAINS INFORMATION THAT IS PROPRIETARY TO MOLEX ELECTRONIC TECHNOLOGIES, LLC AND SHOULD NOT BE USED WITHOUT WRITTEN PERMISSION									