



产品编号 : 39532134

系列号 : 5597

Product Category : FFC / FPC Connectors

Product Description : 1.25mm Pitch Easy-On FFC/FPC Connector, Through-Hole, Right-Angle, ZIF, Top Contact Style, 13 Circuits

状态 : Active

工程编号 : 5597-13APB7F

---

## 文件和资源

### 图纸

图纸 039532134\_sd.pdf

### 3D 模型和设计文件

3D模型 039532134\_stp.zip

### 规格


包装规格 SPK-5597-003-001.pdf

产品规格 PS-5597-004-001.pdf

---

## 产物环境合规

### 合规

|                    |   |
|--------------------|---|
| GADSL/IMDS         | Not Relevant  |
| China RoHS         |  |
| EU ELV             | Not Relevant  |
| Low-Halogen Status | Not Low-Halogen per IEC 61249-2-21  |
| REACH SVHC         | Not Contained per D(2023)8585-DC (23 Jan 2024)  |
| EU RoHS            | Compliant per EU 2015/863   |

### 多部分产品合规性声明

- Eu RoHS
- REACH SVHC
- Low-Halogen
  
- IPC 1752A Class C
- IPC 1752A Class D
- Molex Product Compliance Declaration
- IEC-62474

## 产品详情

### 常规

|      |  |
|------|--|
| 状态   | 活动   |
| 类别   | FFC / FPC Connectors   |
| 系列   | 5597   |
| 说明   | 1.25mm Pitch Easy-On FFC/FPC Connector, Through-Hole, Right-Angle, ZIF, Top Contact Style, 13 Circuits |
| 产品系列 | Easy-On FFC FPC Connectors   |
| 产品名称 | Easy-On  |
| UPC  | 822348170203   |

### 机构

|    |        |
|----|--------|
| UL | E29179 |
|----|--------|

### 电气

|         |      |
|---------|------|
| 每触点最大电流 | 1.0A |
| 电压 - 最大 | 200V |

### 物理

|                  |                 |
|------------------|-----------------|
| 驱动器类型            | Slider          |
| 回路数 (已载入)        | 13              |
| 电路数 (最多)         | 13              |
| 颜色-树脂            | Natural         |
| 接触部位             | 顶部              |
| 耐用性(插拔次数) - 最多次数 | 30              |
| 阻燃性              | 94V-0           |
| 插配长度             | 5.00mm          |
| 材料 - 金属          | Phosphor Bronze |
| 材料 - 接合部位电镀      | Tin-Bismuth     |
| 材料 - 终端电镀        | Tin-Bismuth     |
| 材料 - 树脂          | Polyester       |

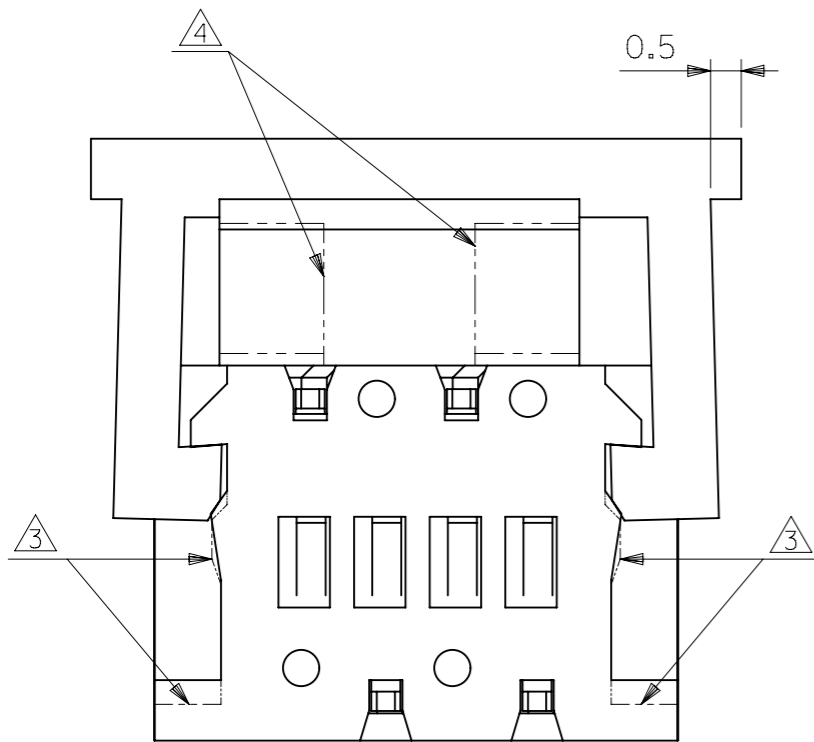
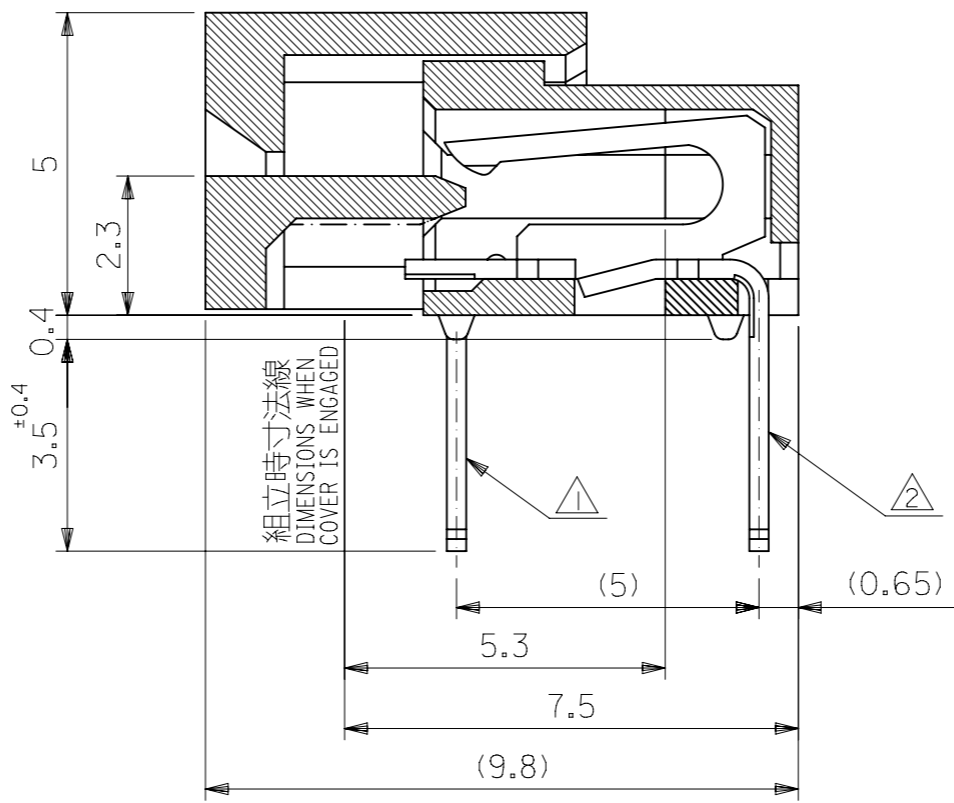
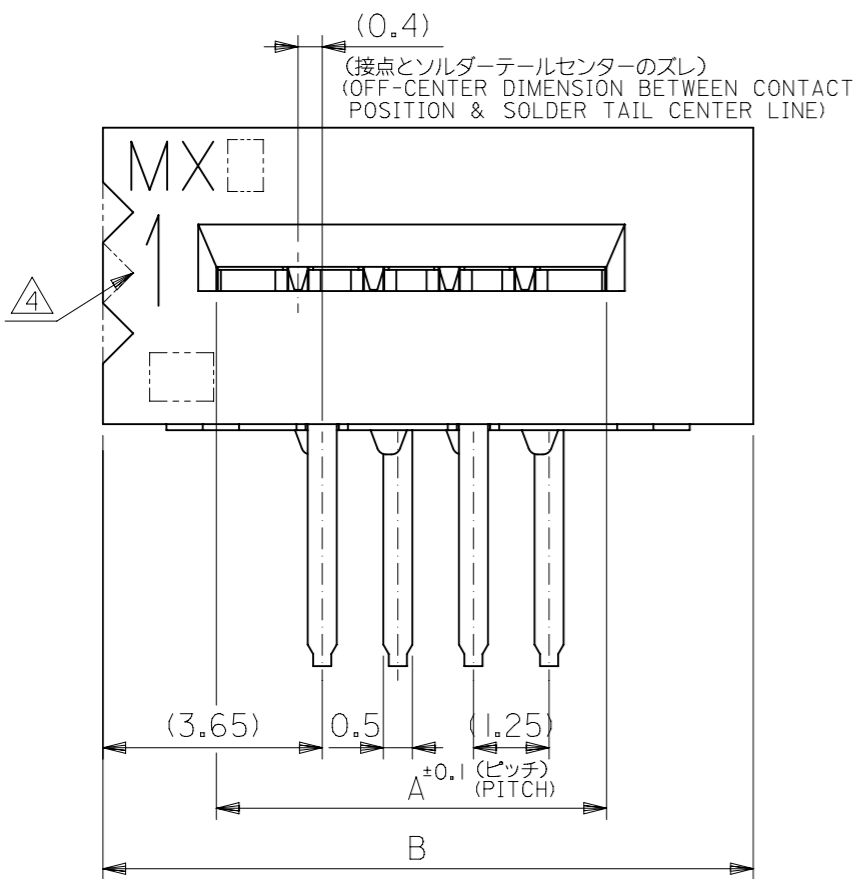
|             |                |
|-------------|----------------|
| 净重          | 1181.580/mg    |
| 方向          | Right Angle    |
| 包装形式        | Tray           |
| PC 焊脚长度     | 3.50mm         |
| PCB 定位器     | 否              |
| PCB安装       | Through Hole   |
| PCB 保持力     | 无              |
| 间距 - 插配接口   | 1.25mm         |
| 最薄镀层 - 接合部位 | 1.016µm        |
| 最薄镀层 - 端接   | 1.016µm        |
| PCB 极性      | 否              |
| 可堆叠的        | 否              |
| 运行温度范围      | -20° to +80° C |
| 导线/电缆型号     | FFC/FPC        |

---

## 可配插/可连接使用的产品

### 可配插部件

| 描述                                  | 产品编号         |
|-------------------------------------|--------------|
| 1.25mm Pitch Premo-Flex FFC Jumpers | <u>15168</u> |
| 1.25mm Pitch Premo-Flex FFC Jumpers | <u>15268</u> |
| 1.25mm Pitch Premo-Flex FFC Jumpers | <u>98268</u> |



注記 NOTES

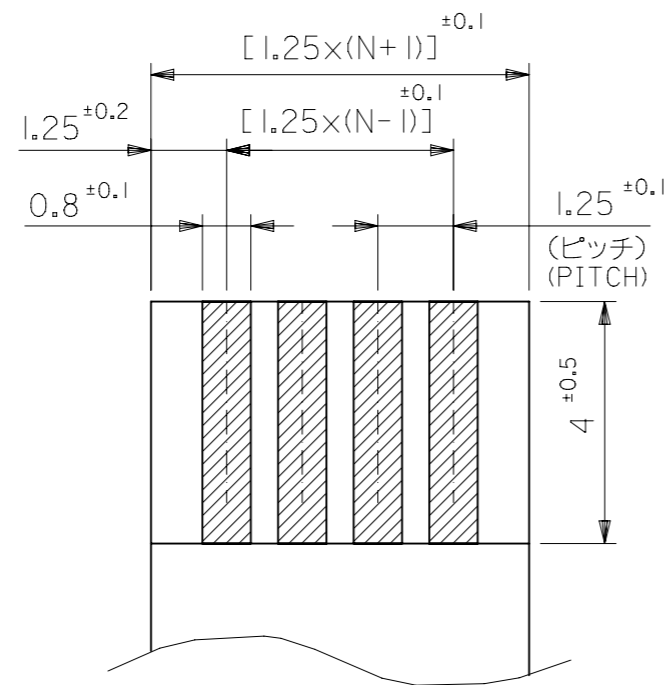
- △1 MX J側を基準に奇数番目の極におけるソルダーテール。  
SOLDER TAIL OF ODD CKTS, MXJ MARK AS BASIC.
- △2 MX J側を基準に偶数番目の極におけるソルダーテール。  
SOLDER TAIL OF EVEN CKTS, MXJ MARK AS BASIC.
- △3 3極~10極に適用。APPLY FOR 3-10 CKTS.
- △4 3極~19極に適用。APPLY FOR 3-19 CKTS.
- 5. ( ) 内寸法は、参考値。  
( ) DIMENSION IS FOR REFERENCE.
- 6. ソルダーテールは、先端が取付推奨穴にガイドされること。  
SOLDER TAILS MAY BE CHECKED BY INSERTION FOR RECOMMENDED PCB BOARD HOLES.
- 7. 本製品は5597-NAPBの鉛フリー品である。  
THIS PRODUCT IS LEAD FREE OF 5597-NAPB.

|       |       |            |              |          |
|-------|-------|------------|--------------|----------|
| 48.25 | 43.95 | 39-53-2344 | 5597-34APB7F | 34       |
| 45.75 | 41.45 | 39-53-2324 | 5597-32APB7F | 32       |
| 44.5  | 40.2  | 39-53-2314 | 5597-31APB7F | 31       |
| 43.25 | 38.95 | 39-53-2304 | 5597-30APB7F | 30       |
| 42    | 37.7  | 39-53-2294 | 5597-29APB7F | 29       |
| 40.75 | 36.45 | 39-53-2284 | 5597-28APB7F | 28       |
| 39.5  | 35.2  | 39-53-2274 | 5597-27APB7F | 27       |
| 38.25 | 33.95 | 39-53-2264 | 5597-26APB7F | 26       |
| 37    | 32.7  | 39-53-2254 | 5597-25APB7F | 25       |
| 35.75 | 31.45 | 39-53-2244 | 5597-24APB7F | 24       |
| 34.5  | 30.2  | 39-53-2234 | 5597-23APB7F | 23       |
| 33.25 | 28.95 | 39-53-2224 | 5597-22APB7F | 22       |
| 32    | 27.7  | 39-53-2214 | 5597-21APB7F | 21       |
| 30.75 | 26.45 | 39-53-2204 | 5597-20APB7F | 20       |
| 29.5  | 25.2  | 39-53-2194 | 5597-19APB7F | 19       |
| 28.25 | 23.95 | 39-53-2184 | 5597-18APB7F | 18       |
| 27    | 22.7  | 39-53-2174 | 5597-17APB7F | 17       |
| 25.75 | 21.45 | 39-53-2164 | 5597-16APB7F | 16       |
| 24.5  | 20.2  | 39-53-2154 | 5597-15APB7F | 15       |
| 23.25 | 18.95 | 39-53-2144 | 5597-14APB7F | 14       |
| 22    | 17.7  | 39-53-2134 | 5597-13APB7F | 13       |
| 20.75 | 16.45 | 39-53-2124 | 5597-12APB7F | 12       |
| 19.5  | 15.2  | 39-53-2114 | 5597-11APB7F | 11       |
| 18.25 | 13.95 | 39-53-2104 | 5597-10APB7F | 10       |
| 17    | 12.7  | 39-53-2094 | 5597-09APB7F | 9        |
| 15.75 | 11.45 | 39-53-2084 | 5597-08APB7F | 8        |
| 14.5  | 10.2  | 39-53-2074 | 5597-07APB7F | 7        |
| 13.25 | 8.95  | 39-53-2064 | 5597-06APB7F | 6        |
| 12    | 7.7   | 39-53-2054 | 5597-05APB7F | 5        |
| 10.75 | 6.45  | 39-53-2044 | 5597-04APB7F | 4        |
| 9.5   | 5.2   | 39-53-2034 | 5597-03APB7F | 3        |
| B     | A     | EDP No.    | ENG No.      | CIRCUITS |
|       |       | ORDER No.  |              |          |

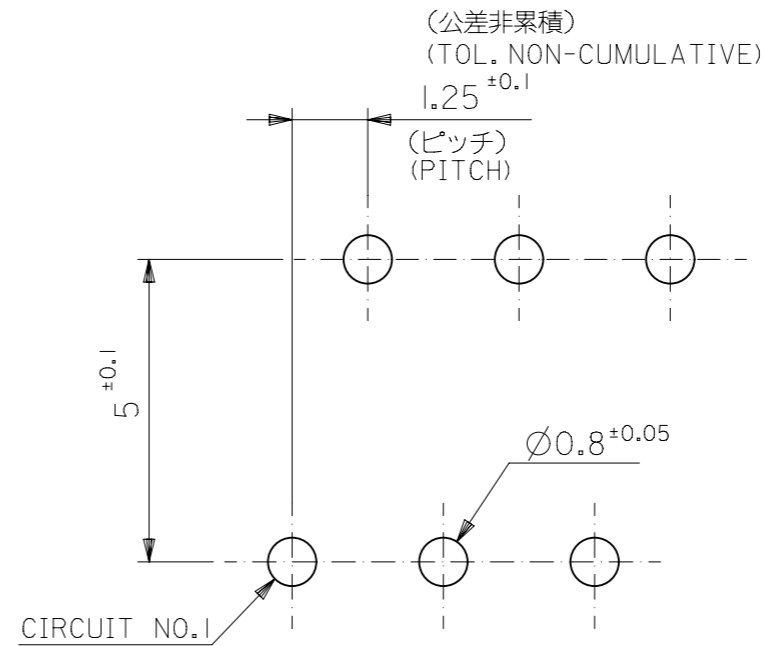
**MATERIAL**  
HOUSING, ACTUATOR : PBT, UL94V-0  
TERMINAL : PHOSPHOR-BRONZE, THK : 0.3t

**FINISH**  
TIN-BISMUTH PLATING : 1.0 MICROMETER MINIMUM  
OVER NICKEL PLATING : 1.0 MICROMETER MINIMUM

|  |       |   |  |
|--|-------|---|--|
| <b>GENERAL TOLERANCE (UNLESS SPECIFIED)</b>          |       | THIS DRAWING CONTAINS INFORMATION THAT IS PROPRIETARY TO MOLEX ELECTRONIC TECHNOLOGIES, LLC AND SHOULD NOT BE USED WITHOUT WRITTEN PERMISSION |  |
| 0.25 UNDER   | ±0.03 | DIMENSION UNITS   | SCALE  |
| 0.25 OVER 0.5 UNDER                                  | ±0.05 | mm  | NTS  |
| 0.5 OVER 1.0 UNDER                                   | ±0.1  | GENERAL TOLERANCES (UNLESS SPECIFIED)   |  |
| 1.0 OVER 10 UNDER                                    | ±0.2  | ANGULAR TOL ± 3.0°  |  |
| 10 OVER 30 UNDER                                     | ±0.25 | 4 PLACES ±  | EC NO: 733771<br>DRWN: ANIKES1 2023/01/13<br>CHK'D: GGA 2023/02/24<br>APPR: GGA 2023/02/24 |
| 30 OVER  | ±0.3  | 3 PLACES ±  |  |
| DRAFT WHERE APPLICABLE MUST REMAIN WITHIN DIMENSIONS |       | 2 PLACES ±  |  |
|  |       | 1 PLACE ±   |  |
|  |       | 0 PLACES ±  | INITIAL REVISION:  |
|  |       | DRWN: MNAGATA 2004/05/26  |  |
|  |       | APPR: MSASAO 2004/05/28   |  |
|  |       | THIRD ANGLE PROJECTION  | DRAWING  |
|  |       | SEE TABLE   | A3-SIZE  |
|  |       | SERIES  | 5597   |
|  |       | MATERIAL NUMBER   | SEE TABLE  |
|  |       | CUSTOMER  | GENERAL MARKET   |
|  |       | DOCUMENT NUMBER   | SD-5597-011  |
|  |       | DOC TYPE  | PSD  |
|  |       | DOC PART  | 001  |
|  |       | REVISION  | D1   |
|  |       | SHEET NUMBER  | 1 OF 2   |



適合FPC/FFC推奨寸法  
RECOMMENDED FPC/FFC  
厚さ THK : 0.3 ± 0.05



基板取付穴推奨寸法 (t=1.6)  
RECOMMENDED P.C. BOARD  
HOLE DIMENSION

FPC/FFCについて：  
打抜き方向は導体側から補強板側を推奨いたします。  
導体部については軟銅箔35マイクロメートルまたは50マイクロメートルを推奨いたします。  
ABOUT FPC/FFC  
RECOMMENDED PUNCHER DIRECTION : FROM CONDUCTOR SIDE TO STIFFENER FILM SIDE.  
RECOMMENDED CONDUCTOR SPEC :  
THICKNESS OF SOFT COPPER FOIL : 35 MICROMETER OR 50 MICROMETER.

FPCについて：  
補強フィルム材質はポリイミドを推奨します。  
接着剤は熱硬化接着剤を推奨します。  
ABOUT FPC  
RECOMMENDED MATERIAL :  
STIFFENER FILM : POLYIMIDE  
BONDING AGENT : THERMOSETTING BONDING AGENT

|   |       |  |            |        |  |  |  |  |  |
|---|-------|--|------------|--------|--|--|--|--|--|
| THIS DRAWING CONTAINS INFORMATION THAT IS PROPRIETARY TO MOLEX ELECTRONIC TECHNOLOGIES, LLC AND SHOULD NOT BE USED WITHOUT WRITTEN PERMISSION |       |  |            |        |  |  |  |  |  |
| DIMENSION UNITS   | SCALE | CURRENT REV DESC: OBSOLETE PART NUMBERS<br>AS PER PCN#510806 |            |        | <b>molex</b>                               |  |  |  |  |
| mm  | NTS   |  |            |        |  |  |  |  |  |
| GENERAL TOLERANCES (UNLESS SPECIFIED)   |       |  |            |        | 1.25 FPC CONNECTOR<br>ASSY ZIF -LEAD FREE- |  |  |  |  |
| ANGULAR TOL ± 3.0°  |       |  |            |        | PRODUCT CUSTOMER DRAWING                   |  |  |  |  |
| 4 PLACES  | ±     | EC NO: 733771  |            |        | DOCUMENT NUMBER                            |  |  |  |  |
| 3 PLACES  | ±     | DRWN: ANIKES1  | 2023/01/13 |        | SD-5597-011                                |  |  |  |  |
| 2 PLACES  | ±     | CHK'D: GGA   | 2023/02/24 |        | DOC TYPE DOC PART REVISION                 |  |  |  |  |
| 1 PLACE   | ±     | APPR: GGA  | 2023/02/24 |        | PSD 001 D1                                 |  |  |  |  |
| 0 PLACES  | ±     | INITIAL REVISION:  |            |        | MATERIAL NUMBER CUSTOMER SHEET NUMBER      |  |  |  |  |
|   |       | DRWN: MNAGATA  | 2004/05/26 |        | SEE TABLE GENERAL MARKET 2 OF 2            |  |  |  |  |
|   |       | APPR: MSASAO   | 2004/05/28 |        |  |  |  |  |  |
| DRAFT WHERE APPLICABLE<br>MUST REMAIN<br>WITHIN DIMENSIONS  |       | THIRD ANGLE PROJECTION                                       | DRAWING    | SERIES |  |  |  |  |  |
|   |       |  | A3-SIZE    | 5597   |  |  |  |  |  |