



产品编号 : 398800402

系列号 : 39880

Product Category : Terminal Blocks and Barrier Strip

Product Description : 5.08mm Pitch Beau Eurostyle Low Profile, Fixed Block, 35° Wire Entry, Modular, 2 Circuits

状态 : Active

工程编号 : MX-MSM02045-0N

---

## 文件和资源

### 图纸

图纸 398800402\_sd.pdf


### 3D 模型和设计文件

3D模型 398800402\_stp.zip

---

## 产物环境合规

### 合规

|                    |   |
|--------------------|---|
| GADSL/IMDS         | Not Relevant  |
| China RoHS         |  |
| EU ELV             | Not Relevant  |
| Low-Halogen Status | Low-Halogen per IEC 61249-2-21  |
| REACH SVHC         | Contains Lead per D(2023)8585-DC (23 Jan 2024)  |
| EU RoHS            | Compliant with Exemption 6(c) per EU 2015/863   |

### 多部分产品合规性声明

- Eu RoHS
- REACH SVHC
- Low-Halogen
  
- IPC 1752A Class C
- IPC 1752A Class D
- Molex Product Compliance Declaration
- IEC-62474
- chemSHERPA (xml)

### 欧盟 RoHS 合格证书

---

## 产品详情

### 常规

|      |   |
|------|---|
| 状态   | 活动  |
| 类别   | Terminal Blocks and Barrier Strip   |
| 系列   | 39880   |
| 说明   | 5.08mm Pitch Beau Eurostyle Low Profile, Fixed Block, 35° Wire Entry, Modular, 2 Circuits |
| 应用   | Wire-to-Board   |
| 元件类型 | One Piece   |
| 产品系列 | Terminal Blocks & Barrier Strips  |
| 产品名称 | Eurostyle Fixed Mount   |
| 类型   | PCB Terminal Blocks and Connectors  |
| UPC  | 800753319035  |

### 机构

|    |        |
|----|--------|
| UL | E48521 |
|----|--------|

### 电气

|         |       |
|---------|-------|
| 每触点最大电流 | 17.5A |
| 电压 - 最大 | 300V  |

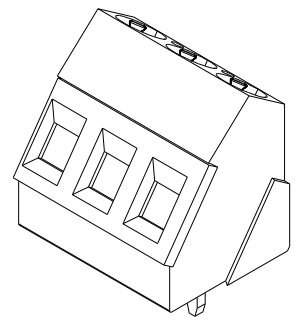
### 物理

|            |           |
|------------|-----------|
| 回路数 (已载入)  | 2         |
| 进入角度       | 35° Angle |
| 阻燃性        | 94V-0     |
| 锁定插接部位     | 无         |
| 净重         | 3.120/g   |
| 行数         | 1         |
| 方向         | 垂直        |
| 面板安装式      | 否         |
| PC 焊脚长度    | 3.80mm    |
| PCB 保持力    | 无         |
| 推荐的 PCB 厚度 | 2.60mm    |

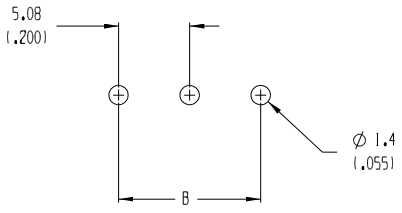
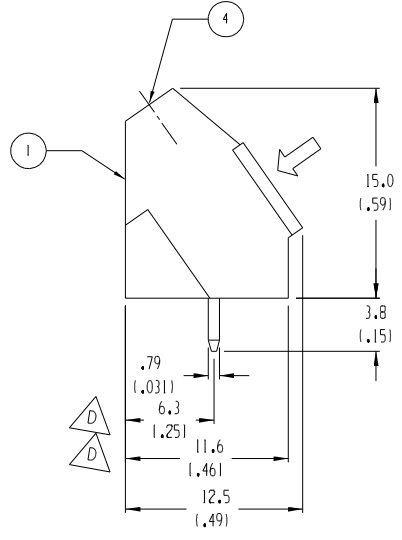
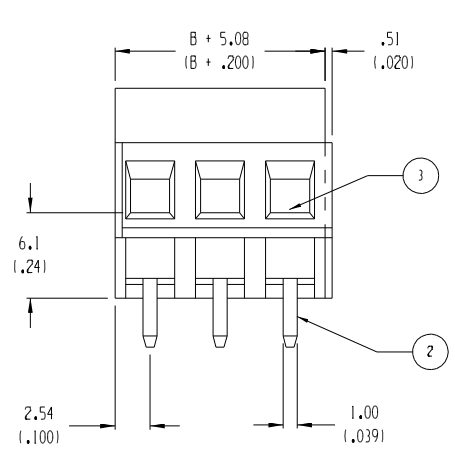
|                     |   |
|---------------------|---|
| 间距 - 插配接口           | 5.08mm                                    |
| 间距 - 终端界面           | 5.08mm                                    |
| 有极性的插配件             | 不适用                                       |
| 有护墙的                | Fully                                     |
| 可堆叠的                | 是   |
| 运行温度范围              | 105° C                                    |
| 线径规格 (AWG)          | 12, 14, 16, 18, 20, 22, 24, 26,<br>28, 30 |
| 线缆尺寸mm <sup>2</sup> | 0.05-2.50                                 |

---

This document was generated on Jun 03, 2024



| MATERIAL NO. | NO. OF CIRCUITS | ENG NO. (BEAU NO.) | DIM. "B" |       |
|--------------|-----------------|--------------------|----------|-------|
|              | "XX"            |                    | IN.      | MM    |
| 39880-04XX   | "XX"            | 8802XX             |          |       |
| 39880-0402   | 02              | 880202             | .20      | 5.1   |
| 39880-0403   | 03              | 880203             | .40      | 10.2  |
| 39880-0404   | 04              | 880204             | .60      | 15.2  |
| 39880-0405   | 05              | 880205             | .80      | 20.3  |
| 39880-0406   | 06              | 880206             | 1.00     | 25.4  |
| 39880-0407   | 07              | 880207             | 1.20     | 30.5  |
| 39880-0408   | 08              | 880208             | 1.40     | 35.6  |
| 39880-0409   | 09              | 880209             | 1.60     | 40.6  |
| 39880-0410   | 10              | 880210             | 1.80     | 45.7  |
| 39880-0411   | 11              | 880211             | 2.00     | 50.8  |
| 39880-0412   | 12              | 880212             | 2.20     | 55.9  |
| 39880-0413   | 13              | 880213             | 2.40     | 61.0  |
| 39880-0414   | 14              | 880214             | 2.60     | 66.0  |
| 39880-0415   | 15              | 880215             | 2.80     | 71.1  |
| 39880-0416   | 16              | 880216             | 3.00     | 76.2  |
| 39880-0417   | 17              | 880217             | 3.20     | 81.3  |
| 39880-0418   | 18              | 880218             | 3.40     | 86.4  |
| 39880-0419   | 19              | 880219             | 3.60     | 91.4  |
| 39880-0420   | 20              | 880220             | 3.80     | 96.5  |
| 39880-0421   | 21              | 880221             | 4.00     | 101.6 |
| 39880-0422   | 22              | 880222             | 4.20     | 106.7 |
| 39880-0423   | 23              | 880223             | 4.40     | 111.8 |
| 39880-0424   | 24              | 880224             | 4.60     | 116.8 |
| 39880-0425   | 25              | 880225             | 4.80     | 121.9 |



| ITEM | QTY. | DESCRIPTION  | MATERIAL  | FINISH      |
|------|------|--------------|-----------|-------------|
| 4    | XX   | SCREW, M3    | COPPER    | NICKEL      |
| 3    | XX   | CAGE CLAMP   | COPPER    | NICKEL      |
| 2    | XX   | TERMINAL, PC | COPPER    | HOT TIN DIP |
| 1    | 1    | INSULATOR    | POLYAMIDE | BLACK       |

EC NO. ECN# 3883  
 DRWN: RK 10-20-04  
 CH'K:  
 APPR:

DESCRIPTION

MAJOR

CRITICAL

SPC

S

REV

| QUALITY SYMBOLS |          |
|-----------------|----------|
| MAJOR           | CRITICAL |
| SPC             | S        |

| GENERAL TOLERANCES: (UNLESS SPECIFIED) |             |
|--|-------------|
| mm                                     | INCH        |
| 4 PLACES                               | ±.0015      |
| 3 PLACES                               | ±.038 ±.005 |
| 2 PLACES                               | ±.13 ±.01   |
| 1 PLACE                                | ±.3         |
| ANGULAR: ±2°                           |             |

| SCALE              |  |
|--------------------|--|
| 3:1                | DESIGN UNITS   |
|                    | <input type="checkbox"/> mm <input checked="" type="checkbox"/> INCH |
| DRAWN BY & DATE    |  |
| R. KEMP            | 6-3-02   |
| CHECKED BY & DATE  |  |
| R. STONE           | 6-3-02   |
| APPROVED BY & DATE |  |
| P. WALTZ           | 6-3-02   |
| CAD FILENAME       |  |
| 8802XX             |  |

| PROJECT NO. 04-124   |                                  |
|--|----------------------------------|
| DIMENSIONS:  |                                  |
| <input checked="" type="checkbox"/> mm <input type="checkbox"/> INCH | <input type="checkbox"/> mm ONLY |
| SHT  | REV                              |
|  | REVISE ON CAD ONLY               |

TITLE: 5.08mm EUROSTYLE MEDIUM, SINGLE ROW, 35° ANGLED ENTRY

|                    |              |           |
|--------------------|--------------|-----------|
| MOLEX INCORPORATED |              |           |
| MATERIAL NO.       | DRAWING NO.  | SHEET NO. |
| SEE CHART          | SD-39880-004 | 1 OF 1    |

THIS DRAWING CONTAINS INFORMATION THAT IS PROPRIETARY TO MOLEX INCORPORATED AND SHOULD NOT BE USED WITHOUT WRITTEN PERMISSION.

