



产品编号 : 398800404

系列号 : 39880

Product Category : Terminal Blocks and Barrier Strip

Product Description : 5.08mm Pitch Beau Eurostyle Low Profile, Fixed Block, 35° Wire Entry, Modular, 4 Circuits

状态 : Active

工程编号 : MX-MSM04045-0N

文件和资源

图纸


图纸 398800404_sd.pdf

3D 模型和设计文件

3D模型 398800404_stp.zip

产物环境合规

合规

GADSL/IMDS	Not Relevant
China RoHS	
EU ELV	Not Relevant
Low-Halogen Status	Low-Halogen per IEC 61249-2-21
REACH SVHC	Contains Lead per D(2023)8585-DC (23 Jan 2024)
EU RoHS	Compliant with Exemption 6(c) per EU 2015/863

多部分产品合规性声明

- Eu RoHS
- REACH SVHC
- Low-Halogen

- IPC 1752A Class C
- IPC 1752A Class D
- Molex Product Compliance Declaration
- IEC-62474
- chemSHERPA (xml)

欧盟 RoHS 合格证书

产品详情

常规

状态	活动
类别	Terminal Blocks and Barrier Strip
系列	39880
说明	5.08mm Pitch Beau Eurostyle Low Profile, Fixed Block, 35° Wire Entry, Modular, 4 Circuits
应用	Wire-to-Board
元件类型	One Piece
产品系列	Terminal Blocks & Barrier Strips
产品名称	Eurostyle Fixed Mount
类型	PCB Terminal Blocks and Connectors
UPC	756054526682

机构

CSA	LR25562
UL	E48521

电气

每触点最大电流	17.5A
电压 - 最大	300V

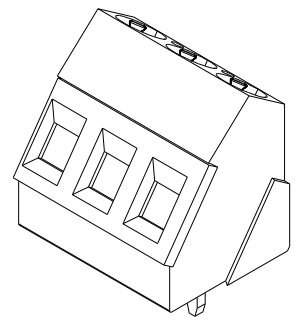
物理

回路数 (已载入)	4
进入角度	35° Angle
阻燃性	94V-0
锁定插接部位	无
行数	1
方向	垂直
面板安装式	否
PC 焊脚长度	3.80mm
PCB 保持力	无
推荐的 PCB 厚度	2.60mm

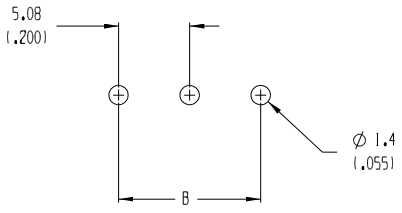
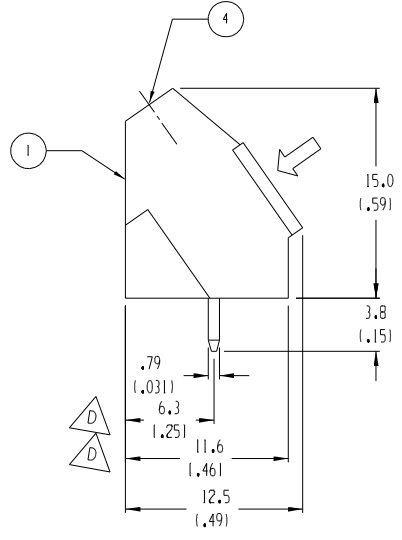
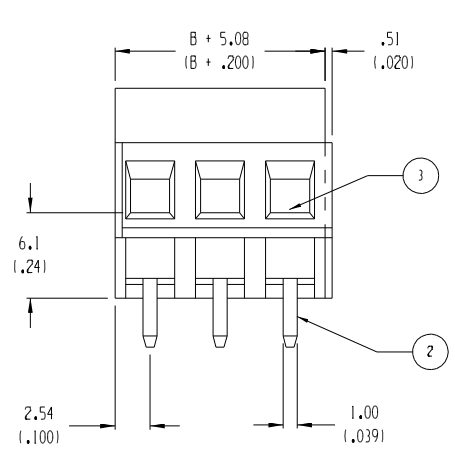
间距 - 插配接口	5.08mm
间距 - 终端界面	5.08mm
有极性的插配件	不适用
有护墙的	Fully
可堆叠的	是
运行温度范围	105° C
线径规格 (AWG)	12, 14, 16, 18, 20, 22, 24, 26, 28, 30
线缆尺寸mm ²	0.05-2.50

进程

无铅	WAVE
----	------



MATERIAL NO.	NO. OF CIRCUITS	ENG NO. (BEAU NO.)	DIM. "B"	
	"XX"		IN.	MM
39880-04XX	"XX"	8802XX		
39880-0402	02	880202	.20	5.1
39880-0403	03	880203	.40	10.2
39880-0404	04	880204	.60	15.2
39880-0405	05	880205	.80	20.3
39880-0406	06	880206	1.00	25.4
39880-0407	07	880207	1.20	30.5
39880-0408	08	880208	1.40	35.6
39880-0409	09	880209	1.60	40.6
39880-0410	10	880210	1.80	45.7
39880-0411	11	880211	2.00	50.8
39880-0412	12	880212	2.20	55.9
39880-0413	13	880213	2.40	61.0
39880-0414	14	880214	2.60	66.0
39880-0415	15	880215	2.80	71.1
39880-0416	16	880216	3.00	76.2
39880-0417	17	880217	3.20	81.3
39880-0418	18	880218	3.40	86.4
39880-0419	19	880219	3.60	91.4
39880-0420	20	880220	3.80	96.5
39880-0421	21	880221	4.00	101.6
39880-0422	22	880222	4.20	106.7
39880-0423	23	880223	4.40	111.8
39880-0424	24	880224	4.60	116.8
39880-0425	25	880225	4.80	121.9



ITEM	QTY.	DESCRIPTION	MATERIAL	FINISH
4	XX	SCREW, M3	COPPER	NICKEL
3	XX	CAGE CLAMP	COPPER	NICKEL
2	XX	TERMINAL, PC	COPPER	HOT TIN DIP
1	1	INSULATOR	POLYAMIDE	BLACK

EC NO. ECN# 3883
 DRWN: RK 10-20-04
 CH'K:
 APPR:

DESCRIPTION

MAJOR

CRITICAL

SPC

S

REV

QUALITY SYMBOLS	
MAJOR	CRITICAL
SPC	S

GENERAL TOLERANCES: (UNLESS SPECIFIED)	
mm	INCH
4 PLACES	±.0015
3 PLACES	±.038 ±.005
2 PLACES	±.13 ±.01
1 PLACE	±.3
ANGULAR: ±2°	

SCALE	
3:1	DESIGN UNITS
	<input type="checkbox"/> mm <input checked="" type="checkbox"/> INCH
DRAWN BY & DATE	
R. KEMP	6-3-02
CHECKED BY & DATE	
R. STONE	6-3-02
APPROVED BY & DATE	
P. WALTZ	6-3-02

PROJECT NO. 04-124	
DIMENSIONS:	
<input checked="" type="checkbox"/> mm <input type="checkbox"/> INCH	<input type="checkbox"/> mm ONLY
SHT	REV
	REVISE ON CAD ONLY

TITLE: 5.08mm EUROSTYLE MEDIUM, SINGLE ROW, 35° ANGLED ENTRY

MOLEX INCORPORATED		
MATERIAL NO.	DRAWING NO.	SHEET NO.
SEE CHART	SD-39880-004	1 OF 1

THIS DRAWING CONTAINS INFORMATION THAT IS PROPRIETARY TO MOLEX INCORPORATED AND SHOULD NOT BE USED WITHOUT WRITTEN PERMISSION.

F
E
D
C
B
A

10
9
8
7
6
5
4
3
2
1