



产品编号：[428150042](#)

Product Description：Mini-Fit Sr. Crimp Terminal, Female, 14-16 AWG, Gold (Au)

系列号：42815

状态：Active

Product Category：Crimp Terminals



文件和资源

图纸

[图纸 428150042_sd.pdf](#)

[包装设计图 PK-42815-001-001.pdf](#)

规格

[包装规格 PK-42815-001-002.pdf](#)


[产品规格 PS-42815-001-001.pdf](#)

模具规格

[应用模具规格 ATS-638912000-001.pdf](#)

产物环境合规

合规

GADSL/IMDS	Not Relevant
China RoHS	
EU ELV	Not Relevant
Low-Halogen Status	Low-Halogen per IEC 61249-2-21
REACH SVHC	Not Contained per D(2023)3788-DC (14 Jun 2023)
EU RoHS	Compliant per EU 2015/863

多部分产品合规性声明

- Eu RoHS
- REACH SVHC
- Low-Halogen

多部分行业合规性文件

- IPC 1752A Class C
- IPC 1752A Class D

- Molex Product Compliance Declaration

- IEC-62474

- chemSHERPA (xml)

欧盟 RoHS 合格证书

产品详情

常规

状态	活动
类别	Crimp Terminals
系列	42815
说明	Mini-Fit Sr. Crimp Terminal, Female, 14-16 AWG, Gold (Au)
应用	Power, Wire-to-Board, Wire-to-Wire
个评论	High Current/Low Force; See Product Specification for maximum current rating by circuit size and application.
产品系列	Mini-Fit Sr. Power Connectors
产品名称	Mini-Fit Sr.
UPC	756054457078

电气

每触点最大电流	50.0A
---------	-------

物理

性别	女
材料 - 金属	High Performance Alloy (HPA)
材料 - 接合部位电镀	金牌
材料 - 终端电镀	Tin
净重	1.525/g
包装形式	Reel
最薄镀层 - 接合部位	0.762µm
最薄镀层 - 端接	2.540µm
终端界面类型	Crimp or Compression
导线绝缘直径	3.33mm max.
线径规格 (AWG)	14, 16

线缆尺寸mm ²	不适用
---------------------	-----

进程

无铅	不适用
----	-----

可连接使用部件

描述	产品编号
10.00mm Pitch Mini-Fit Sr. Single Row Receptacle Housings	<u>42816</u>
Mini-Fit Sr. Dual Row Receptacle Housings	<u>43914</u>

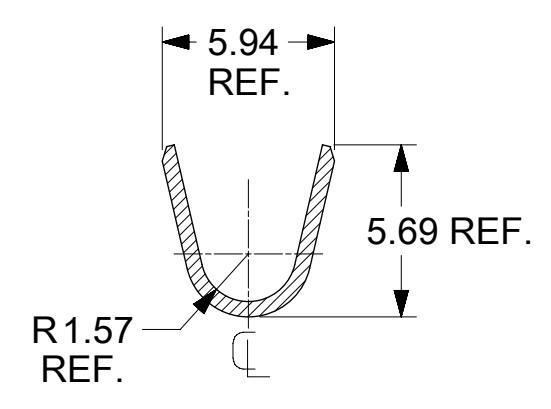
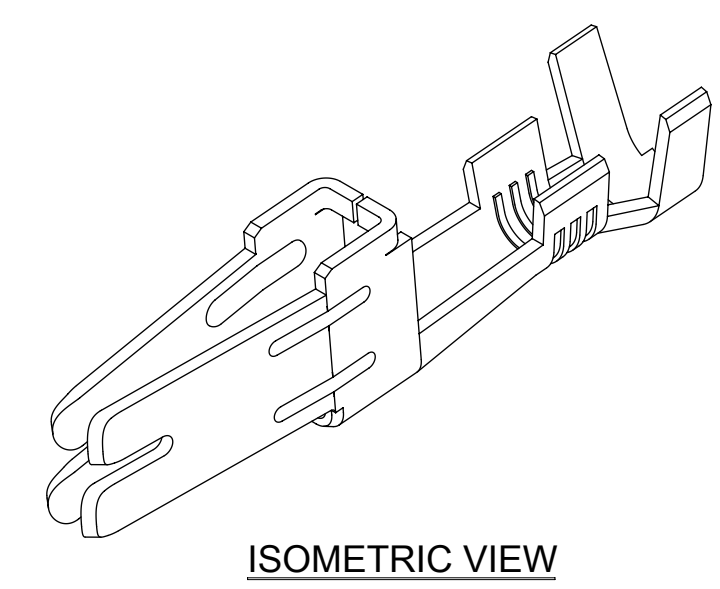
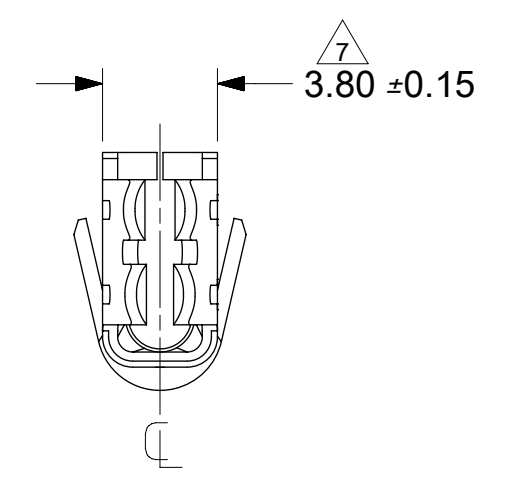
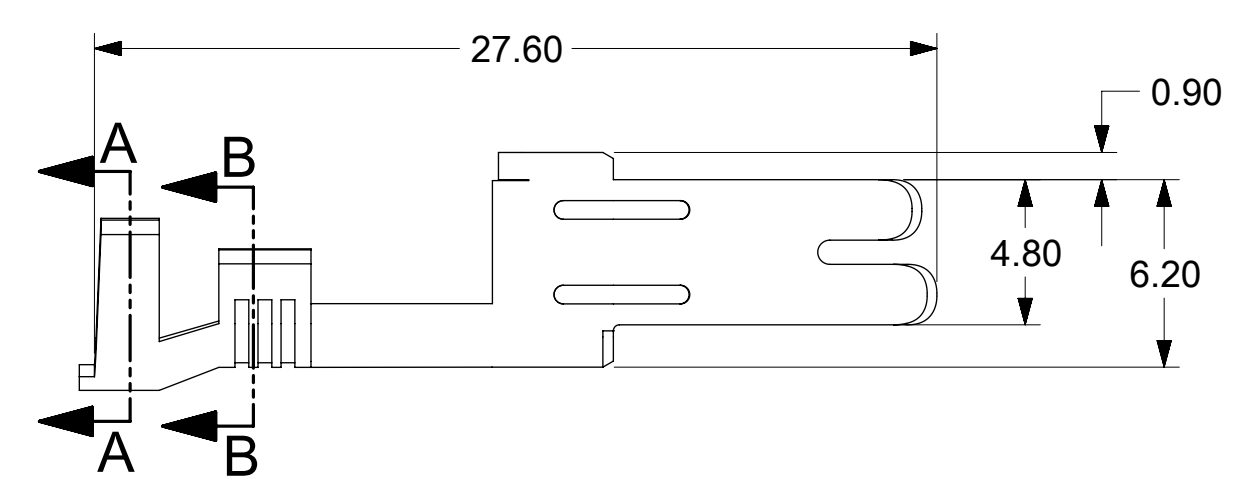
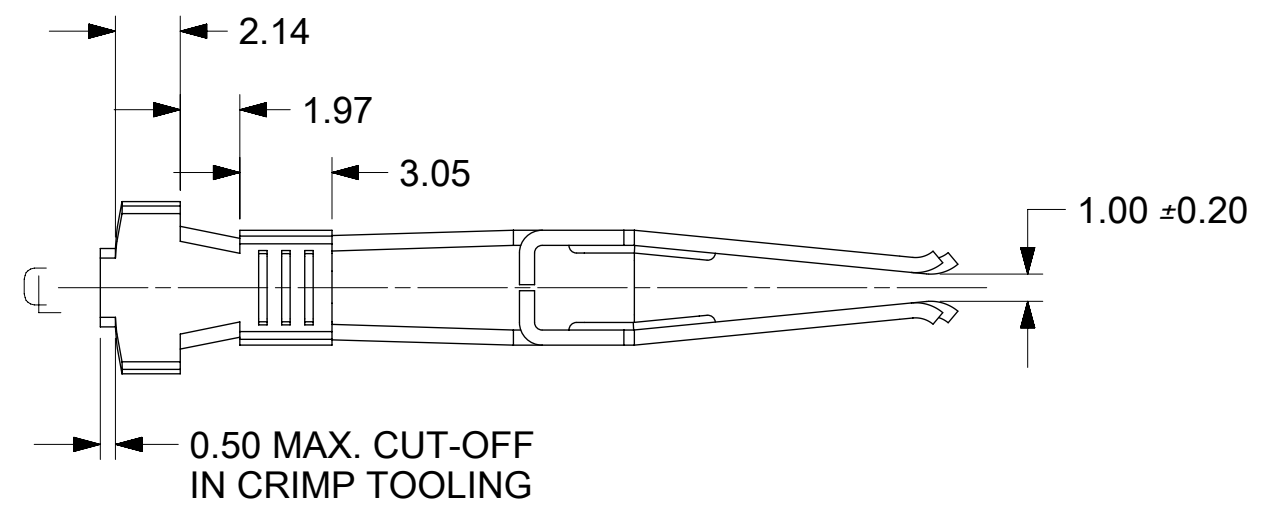
施工工具

全局

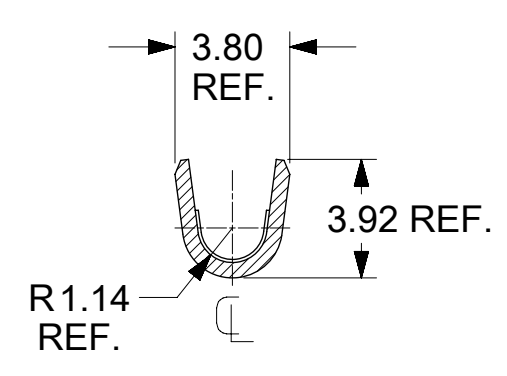
描述	产品编号
PremiumGrade Hand Crimp Tool for 10.00mm Mini-Fit Sr. Male and Female Terminals, 14-16 AWG	<u>0638113800</u>
Extraction Tool for Mini-Fit Sr. Terminals, 8-16 AWG	<u>0638130400</u>
Mini-Mac Applicator for Mini-Fit Sr. Male and Female Terminals for 14-16 AWG Wire with Insulation Diameter no greater than 3.33mm	<u>0638912000</u>

NOTES:

1. MATERIAL: COPPER ALLOY 151, 0.50mm THICK.
2. PLATING:
 OVERALL *TIN: 0.00254 MIN. BRIGHT TIN
 OVER 0.00127 MIN. NICKEL.
 SELECT GOLD: 0.00076 MIN. SELECT GOLD IN CONTACT AREA,
 0.00127 MIN. SELECT *TIN IN CRIMP AREA, OVER 0.00127 MIN. NICKEL.
 SELECT SILVER: 0.00254 MIN. SELECT SILVER IN CONTACT AREA,
 0.00254 MIN. SELECT *TIN IN CRIMP AREA, OVER 0.00127 MIN. NICKEL.
3. PRODUCT SPECIFICATION: PS-42815-001.
4. PACKAGING INFORMATION: PK-42815-001.
5. PART IS DESIGNED IN METRIC.
6. TERMINALS FOR USE WITH STRANDARED WIRE ONLY,
 STRANDED TINNED WIRE IS RECOMMENDED.
7. AFTER CRIMPING, THIS DIMENSION IS 3.55mm MINIMUM.
8. CRIMP SPECIFICATION: 638301000.
9. WHEN USING TIN-PLATED TERMINALS FOR APPLICATIONS
 INVOLVING VIBRATION AND/OR THERMAL CYCLING,
 MOLEX STRONGLY RECOMMENDS THE USE OF NYE LUBRICANT,
 NYOGEL 760G, ON THE MATING AREA OF THE TERMINAL.
 LUBRICANT SHOULD BE APPLIED AFTER THE TERMINALS ARE
 INSERTED INTO THE HOUSING.
10. PARTS CONFORM TO CLASS 'B' REQUIREMENT OF COSMETIC SPECPS-45499-002.
11. REFER AS-42815-001 FOR TIN PLATED TERMINALS RECOMMENDED LUBRICATION PROCEDURE.



SECTION A-A
INSULATION CRIMP



SECTION B-B
CONDUCTOR CRIMP

MATERIAL NO.	PLATING	STATUS
428150041	TIN	PLANNED FOR OBSOLESCENCE
428150042	SELECT GOLD	ACTIVE
428150144	SELECT SILVER	ACTIVE

THIS DRAWING CONTAINS INFORMATION THAT IS PROPRIETARY TO MOLEX ELECTRONIC TECHNOLOGIES, LLC AND SHOULD NOT BE USED WITHOUT WRITTEN PERMISSION

DIMENSION UNITS	SCALE	CURRENT REV DESC: MIGRATED TO ECTR	
MM	4:1		
GENERAL TOLERANCES (UNLESS SPECIFIED)			
4 PLACES	±	EC NO: 171562	
3 PLACES	±	DRWN: ABABU01	2017/08/16
2 PLACES	± 0.25	CHK'D: ISHWARG	2018/05/04
1 PLACE	± 0.4	APPR: ISHWARG	2018/05/04
0 PLACES	±	INITIAL REVISION:	
ANGULAR TOL	± 0.5 °	DRWN: MFIRLEJ	2002/05/15
DRAFT WHERE APPLICABLE MUST REMAIN WITHIN DIMENSIONS		APPR: JCOMERCI	2002/05/15
THIRD ANGLE PROJECTION		DRAWING	SERIES
		C-SIZE	42815
DOCUMENT NUMBER		CUSTOMER	SHEET NUMBER
SD-42815-020		GENERAL MARKET	1 OF 1
DOC TYPE	DOC PART	REVISION	
PSD	001	C	