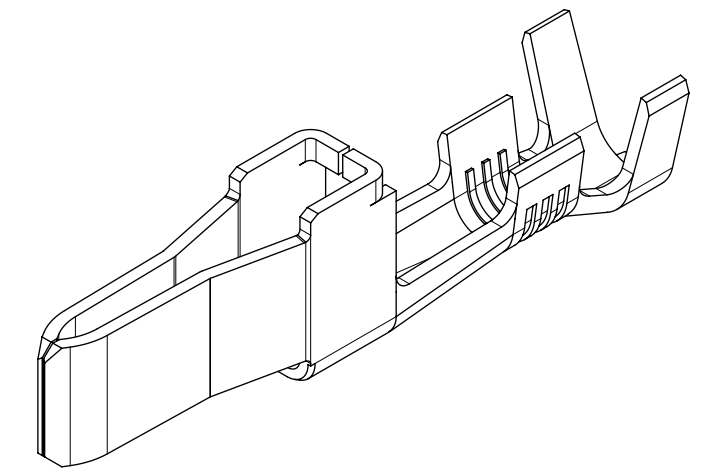
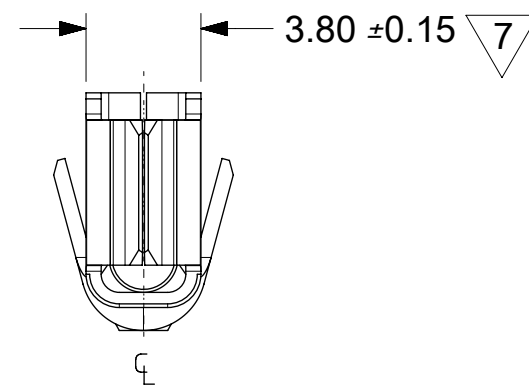
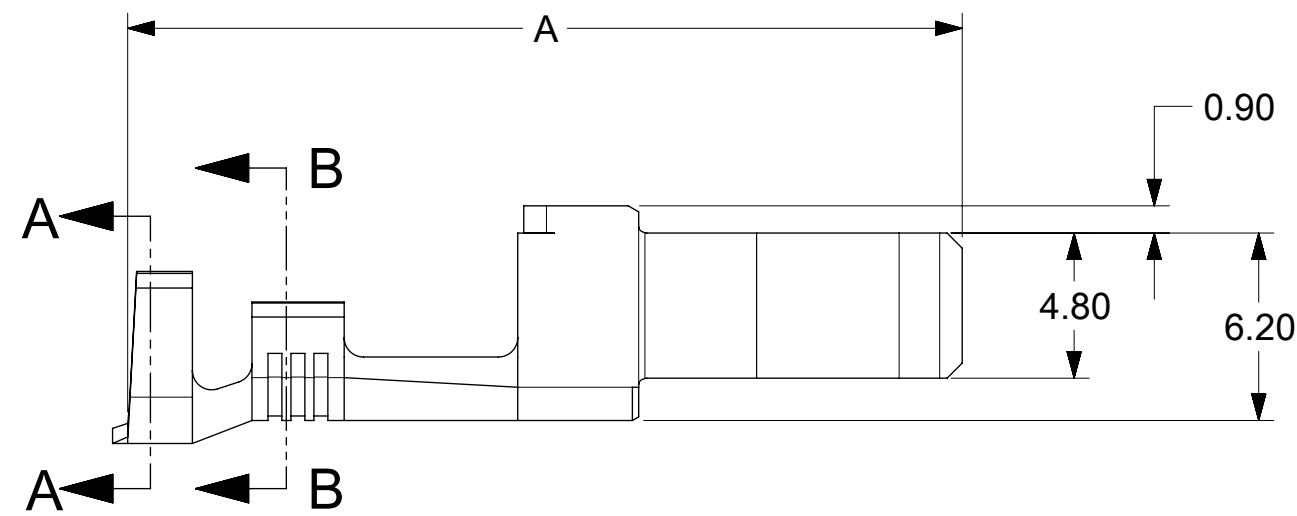
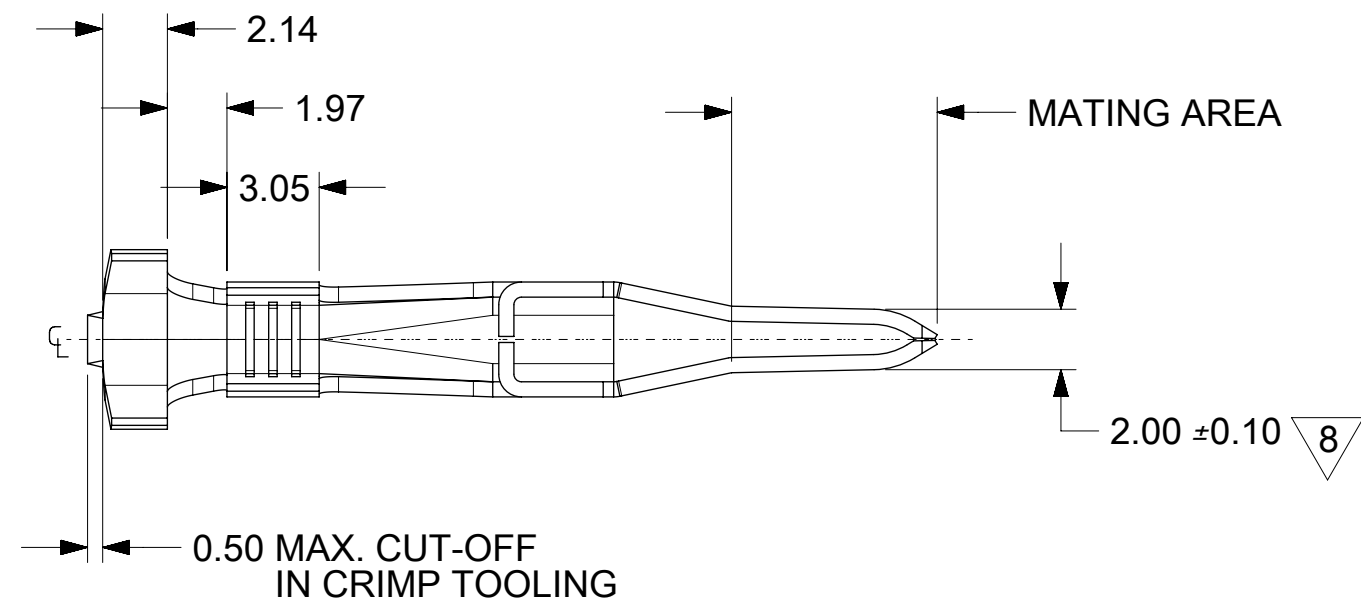


NOTES:

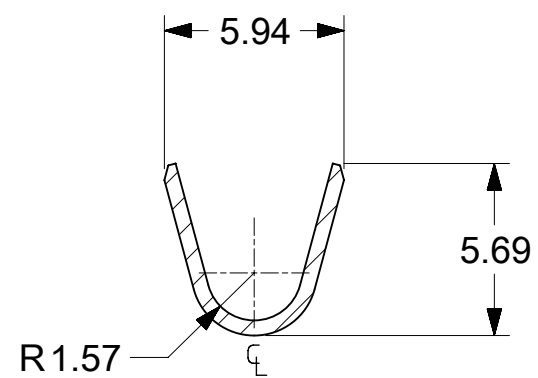
1. MATERIAL: COPPER ALLOY 151, 0.50mm THICK.
2. PLATING:
 SELECT GOLD: 0.00076 MIN. SELECT. GOLD IN CONTACT AREA, 0.00254 MIN. SELECT *TIN IN CRIMP AREA, OVER 0.00127 NICKEL.
 SELECT SILVER: 0.00254 MIN. SELECT. SILVER IN CONTACT AREA, 0.00254 MIN. SELECT *TIN IN CRIMP AREA, OVER 0.00127 NICKEL.
 OVERALL TIN: 0.00254 MIN. BRIGHT *TIN OVER 0.00127 MIN. NICKEL
3. PRODUCT SPECIFICATION: PS-42815-001.
4. PACKAGING INFORMATION: PK-42815-001.
5. PART IS DESIGN IN METRIC.
6. TERMINALS FOR USE WITH STRANDED WIRE ONLY, STRANDED TINNED WIRE IS RECOMMENDED.
7. AFTER CRIMPING, THIS DIMENSION = 3.55mm MIN.
8. AFTER CRIMPING, THIS DIMENSION = 2.25mm MAX.
9. CRIMP SPECIFICATION: 638301000.
10. WHEN USING TIN-PLATED TERMINALS FOR APPLICATIONS INVOLVING VIBRATION AND/OR THERMAL CYCLING, MOLEX STRONGLY RECOMMENDS THE USE OF NYE LUBRICANT, NYOGEL 760G, ON THE MATING AREA OF THE TERMINAL. LUBRICANT SHOULD BE APPLIED AFTER THE TERMINALS ARE INSERTED INTO THE HOUSING.
11. PARTS CONFORM TO CLASS 'B' REQUIREMENT OF COSMETIC SPEC PS-45499-002
12. REFER AS-42815-001 FOR TIN PLATED TERMINALS RECOMMENDED LUBRICATION PROCEDURE.



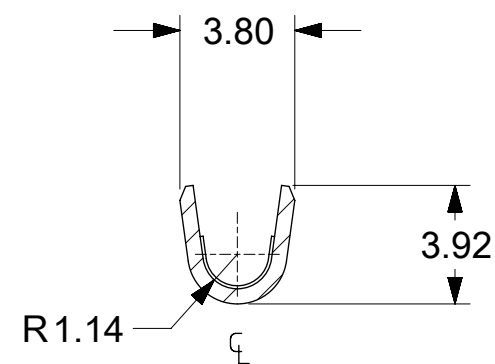
ISOMETRIC VIEW

勝特力電材超市-龍山店 886-3-5773766
 勝特力電材超市-光復店 886-3-5729570
 勝特力電子(上海) 86-21-34970699
 勝特力電子(深圳) 86-755-83298787
<http://www.100y.com.tw>

MATERIAL NO.	CONFIGURATION	DIM. "A"	PLATING	STATUS
428170041	STANDARD	27.60	TIN	PLANNED FOR OBSOLESCENCE
428170141	MAKE-FIRST/BREAK-LAST	29.60	TIN	
428170042	STANDARD	27.60	SELECT GOLD	ACTIVE
428170142	MAKE-FIRST/BREAK-LAST	29.60	SELECT GOLD	ACTIVE
428171044	STANDARD	27.60	SELECT SILVER	ACTIVE
428171144	MAKE-FIRST/BREAK-LAST	29.60	SELECT SILVER	ACTIVE



SECTION A-A
INSULATOR CRIMP



SECTION B-B
CONDUCTOR CRIMP

THIS DRAWING CONTAINS INFORMATION THAT IS PROPRIETARY TO MOLEX ELECTRONIC TECHNOLOGIES, LLC AND SHOULD NOT BE USED WITHOUT WRITTEN PERMISSION

DIMENSION UNITS	SCALE	CURRENT REV/DESC: MIGRATED TO ECTR	
MM	4:1		
GENERAL TOLERANCES (UNLESS SPECIFIED)		EC NO: 171562	
	MM	INCH	
4 PLACES	±	±	DRWN: RLALSANGI 2017/07/19
3 PLACES	±	±	CHK'D: ISHWARG 2018/05/04
2 PLACES	±	0.25	APPR: ISHWARG 2018/05/04
1 PLACE	±	0.4	INITIAL REVISION:
0 PLACES	±	±	DRWN: MFIRLEJ 2002/05/15
ANGULAR TOL	±	0.5°	APPR: JCOMERCI 2002/05/15
DRAFT WHERE APPLICABLE MUST REMAIN WITHIN DIMENSIONS	THIRD ANGLE PROJECTION	DRAWING	SERIES
		C-SIZE	42817

MINI-FIT SR. MALE CRIMP TERMINAL, 14-16 AWG

PRODUCT CUSTOMER DRAWING

DOCUMENT NUMBER	DOC TYPE	DOC PART	REVISION
SD-42817-020	PSD	001	C

MATERIAL NUMBER	CUSTOMER	SHEET NUMBER
SEE CHART	GENERAL MARKET	1 OF 1



产品编号 : [428170042](#)

Product Description : Mini-Fit Sr. Crimp Terminal, Male, 14-16 AWG, Gold (Au)

系列号 : 42817

状态 : Active

Product Category : Crimp Terminals



文件和资源

图纸

[图纸 428170042_sd.pdf](#)

[包装设计图 PK-42815-001-001.pdf](#)

规格

[应用规格 AS-42815-001-001.pdf](#)

[包装规格 PK-42815-001-002.pdf](#)

[产品规格 PS-42815-001-001.pdf](#)

模具规格

[应用模具规格 ATS-638912000-001.pdf](#)

产物环境合规

合规

GADSL/IMDS	Not Relevant
China RoHS	
EU ELV	Not Relevant
Low-Halogen Status	Low-Halogen per IEC 61249-2-21
REACH SVHC	Not Contained per D(2023)3788-DC (14 Jun 2023)
EU RoHS	Compliant per EU 2015/863

多部分产品合规性声明

- Eu RoHS
- REACH SVHC
- Low-Halogen

多部分行业合规性文件

- IPC 1752A Class C

- IPC 1752A Class D
- Molex Product Compliance Declaration
- IEC-62474
- chemSHERPA (xml)

欧盟 RoHS 合格证书

产品详情

常规

状态	活动
类别	Crimp Terminals
系列	42817
说明	Mini-Fit Sr. Crimp Terminal, Male, 14-16 AWG, Gold (Au)
应用	Power, Wire-to-Wire
个评论	High Current/Low Force; See Product Specification for maximum current rating by circuit size and application.
产品系列	Mini-Fit Sr. Power Connectors
产品名称	Mini-Fit Sr.
UPC	756054457108

电气

每触点最大电流	50.0A
---------	-------

物理

性别	男
材料 - 金属	High Performance Alloy (HPA)
材料 - 接合部位电镀	金牌
材料 - 终端电镀	Tin
净重	1.340/g
包装形式	Reel
最薄镀层 - 接合部位	0.762µm
最薄镀层 - 端接	2.540µm
终端界面类型	Crimp or Compression
导线绝缘直径	4.57mm max.
线径规格 (AWG)	14, 16

线缆尺寸mm ²	不适用
---------------------	-----

可连接使用部件

描述	产品编号
10.00mm Pitch Mini-Fit Sr. Single Row Plug Housings	<u>42818</u>
Mini-Fit Sr. Dual Row Plug Housings	<u>43938</u>

施工工具

全局

描述	产品编号
PremiumGrade Hand Crimp Tool for 10.00mm Mini-Fit Sr. Male and Female Terminals, 14-16 AWG	<u>0638113800</u>
Extraction Tool for Mini-Fit Sr. Terminals, 8-16 AWG	<u>0638130400</u>
Mini-Mac Applicator for Mini-Fit Sr. Male and Female Terminals for 14-16 AWG Wire with Insulation Diameter no greater than 3.33mm	<u>0638912000</u>