



产品编号 : 428781003

系列号 : 42878

Product Category : Modular Jacks and Plugs

Product Description : Modular Jack,
Vertical, Low Profile, 8/10

状态 : Active

文件和资源

图纸

图纸 428781003_sd.pdf

包装设计图 PK-42878-492-001.pdf

3D 模型和设计文件

3D模型 428781003_stp.zip


规格

产品规格 PS-42878-001.pdf

测试摘要 TS-42878-001-001.pdf

产物环境合规

合规

GADSL/IMDS	Not Relevant
China RoHS	
EU ELV	Not Relevant
Low-Halogen Status	Not Low-Halogen per IEC 61249-2-21
REACH SVHC	Not Contained per D(2023)3788-DC (14 Jun 2023)
EU RoHS	Compliant per EU 2015/863

多部分产品合规性声明

- Eu RoHS
- REACH SVHC
- Low-Halogen

- IPC 1752A Class C
- IPC 1752A Class D
- Molex Product Compliance Declaration
- IEC-62474

产品详情

常规

状态	活动
类别	Modular Jacks and Plugs
系列	42878
说明	Modular Jack, Vertical, Low Profile, 8/10
元件类型	PCB Jack
磁性的	否
性能分类	3
以太网电源 (PoE)	不适用
产品系列	Magnetic and Modular Jacks/Plugs
产品名称	Modular Jack 8/10
UPC	800753965409

机构

CSA	LR19980
UL	E107635

电气

每触点最大电流	1.5A
面板接地	无
PCB接地	否
屏蔽	否
电压 - 最大	150V AC (RMS)

物理

颜色-树脂	黑色
耐用性(插拔次数) - 最多次数	500
阻燃性	94V-0
向下 / 向上锁闭	不适用
插孔高度	12.70mm

插接极性	无
光管/发光二极管	无
材料 - 金属	Phosphor Bronze
材料 - 接合部位电镀	金牌
材料 - 终端电镀	Tin
材料 - 树脂	Polyester
净重	2.200/g
方向	Vertical (Top Entry)
包装形式	Tray
面板安装式	With Flange
PCB 定位器	是
PCB 保持力	是
推荐的 PCB 厚度	1.57mm
间距 - 插配接口	1.02mm
间距 - 终端界面	1.27mm
最薄镀层 - 接合部位	1.270µm
最薄镀层 - 端接	2.540µm
端口配置	1x1
位置/插入的接头	8/10
运行温度范围	-40° to +85° C
终端界面类型	Through Hole
防水/防尘	否
导线/电缆型号	不适用

进程

最长持续时间	5
无铅	WAVE
最大周期	1
最高温度	235

可配插/可连接使用的产品

可配插部件

描述	产品编号
配插使用	FCC 68 Plugs

This document was generated on Jun 03, 2024

MODULAR JACK CHARACTERISTICS LEGEND

EXTERNAL CONNECTOR BODY DIMENSIONS: (SEE NOTES 8 AND 9)
 JACKS ARE AVAILABLE IN STANDARD 4, 6, AND 8 POSITION BODY SIZES

NUMBER OF CONTACT POSITIONS:
 CONNECTOR SIZE 4 CAN ACCOMMODATE 2 OR 4 TERMINALS;
 CONNECTOR SIZE 6 CAN ACCOMMODATE 2, 4, OR 6 TERMINALS;
 CONNECTOR SIZE 8 CAN ACCOMMODATE 2, 4, 6, 8, OR 10 TERMINALS

POLARIZATION OPTION:
 "NO"= JACKS WITHOUT KEYING SLOT
 "YES"= JACKS WITH KEYING SLOT (AVAILABLE ON CONNECTOR SIZE 8 ONLY)

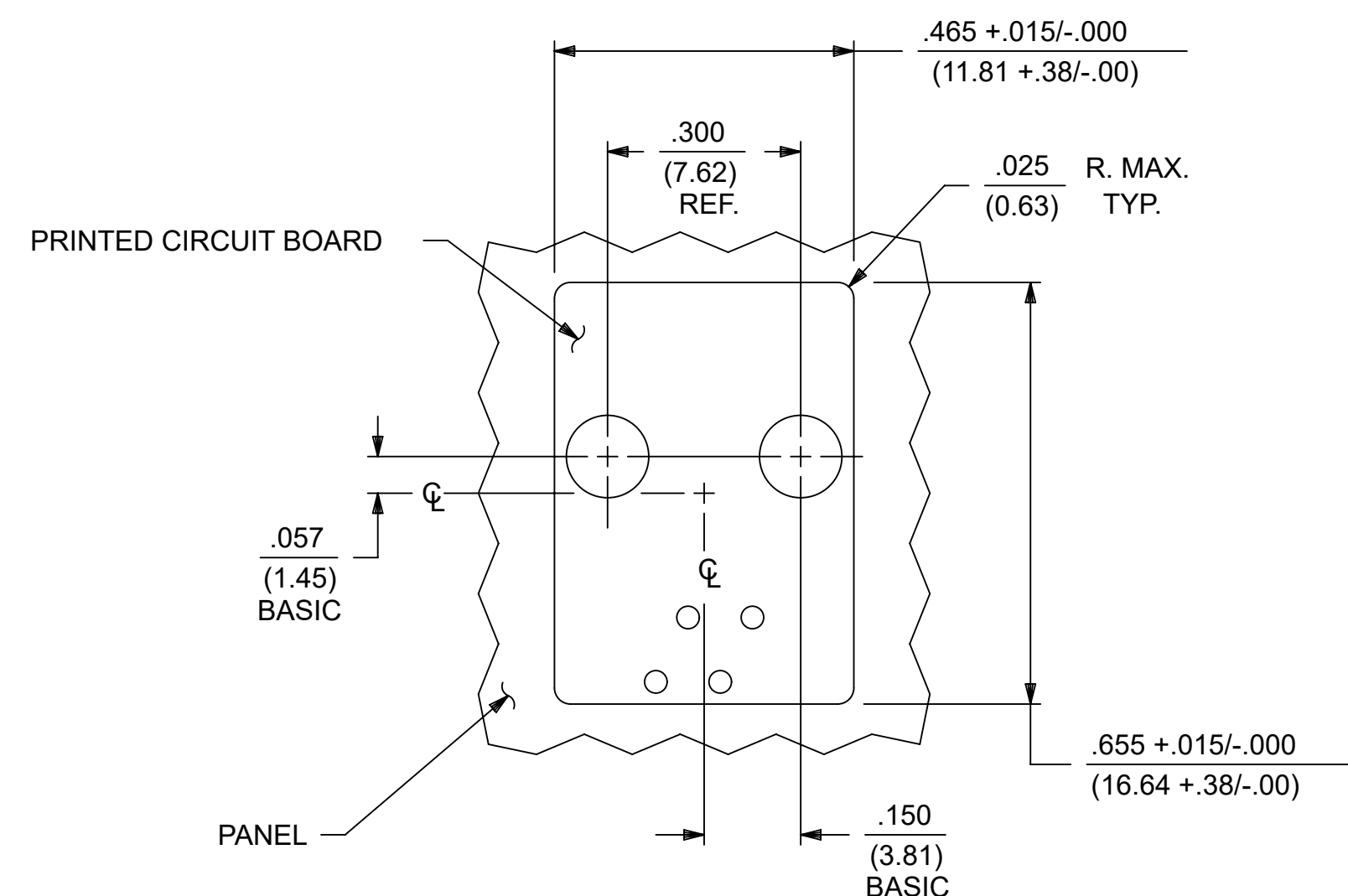
MOUNTING EARS OPTION:
 "YES"= JACKS WITH MOUNTING EARS
 "NO"= JACKS WITHOUT MOUNTING EARS

NOTES:

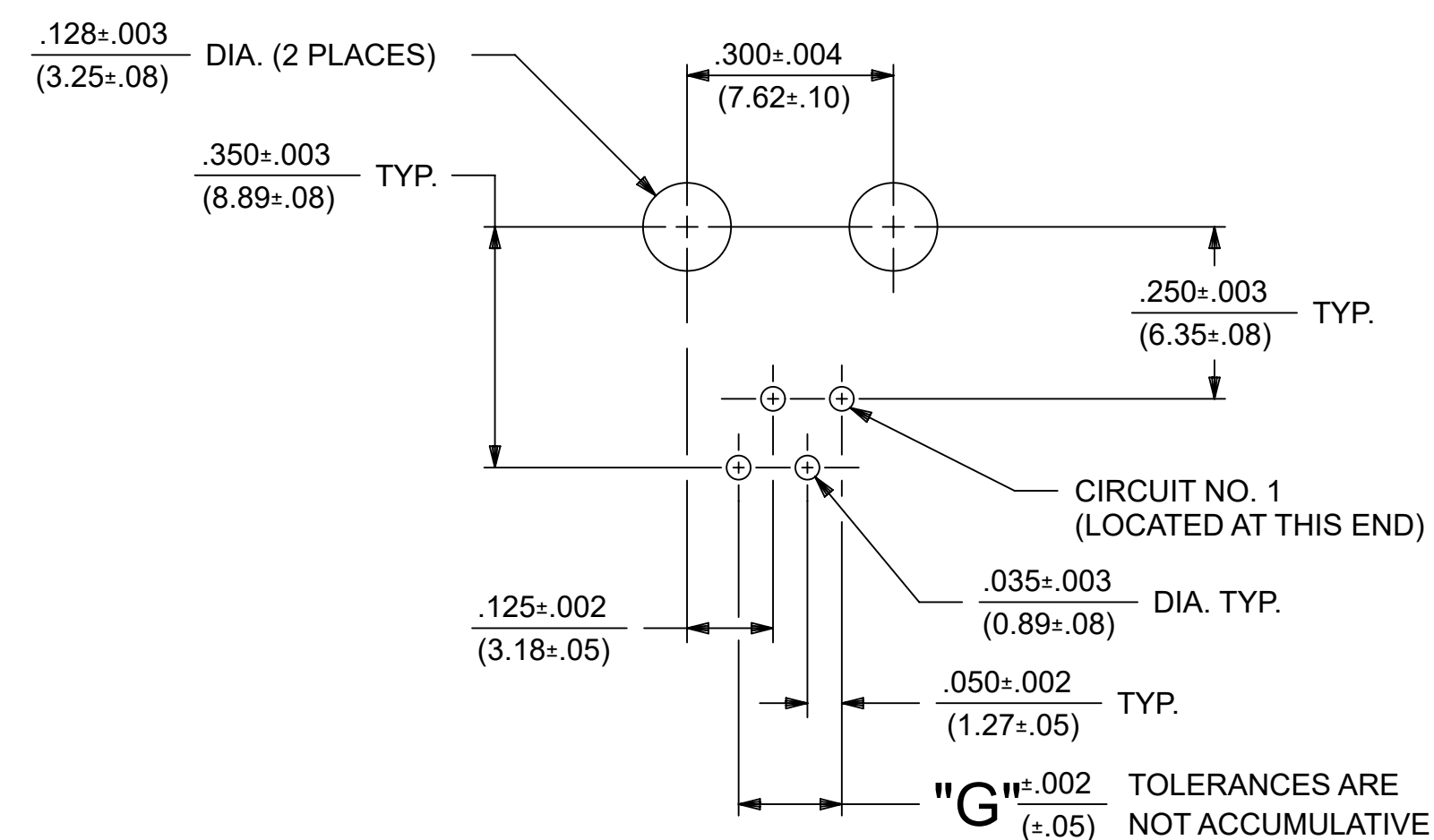
- 1) MATERIALS: HOUSING- POLYESTER, GLASS FILLED, UL94V-0, COLOR - BLACK
 TERMINALS- PHOSPHOR BRONZE ALLOY, .015/(0.38) THICK.
- 2) TERMINAL PLATING:
 SELECT GOLD IN CONTACT AREA: 50 MICROINCHES MIN.,
 *SELECT TIN IN PC TAIL AREA: 100 MICROINCHES MIN.,
 WITH OVERALL NICKEL UNDERPLATE: 50 MICROINCHES MIN.
 *THE PRIMARY SHIPPING CARTON WILL BE LABELED "COMPLIANT TO RoHS DIRECTIVE 2002/95/EC AND ELV ANNEX II OF DIRECTIVE 2000/53/EC". CARTONS WITHOUT THIS LABEL MAY CONTAIN PRODUCT WITH TIN-LEAD IN THE PC TAIL.
- 3) THESE MODULAR JACKS MEET THE PERFORMANCE REQUIREMENTS OF MOLEX PRODUCT SPECIFICATION PS-42878.
- 4) CONNECTORS ARE SHIPPED IN THERMOFORMED TRAYS, PER PACKAGING SPECIFICATION PK-42878-492.
- 5) ALL JACKS ARE DESIGNED TO BE USED WITH .062/(1.57) OR .125/(3.18) THICK P.C. BOARDS.
- 6) ALL JACKS CONFORM TO AND ACCEPT PLUGS WHICH CONFORM TO FCC RULES AND REGULATIONS PART 68, SUBPART F.
- 7) ALL JACKS MUST BE CAPABLE OF FITTING INTO MOLEX GAGE G-42410 (CONNECTOR SIZE 4).
- 8) SEE SHEETS 2 & 4 FOR CONNECTOR SIZE 6.
- 9) SEE SHEETS 3 & 5 FOR CONNECTOR SIZE 8.
- 10) ENGRAVED NUMBERS ON HOUSING BODY ARE FOR MOLDING IDENTIFICATION ONLY, THEY ARE NOT INTENDED FOR ASSEMBLY IDENTIFICATION PURPOSES.
- 11) THIS PART CONFORMS TO CLASS B REQUIREMENTS OF COSMETIC SPECIFICATION PS-45499-002 WITH THE EXCEPTION OF THE SINK WHICH MEETS CLASS C REQUIREMENTS.

P. C. BOARD THICKNESS	DIM. "D" (MTG. PEGS)	DIM. "F" (P.C. TAILS)
.062(1.57)	.128 (3.25)	.120 +.015/- .025 (3.05 +.38/- .63)
.125(3.18)	.191 (4.85)	.205 +.015/- .025 (5.21 +.38/- .63)

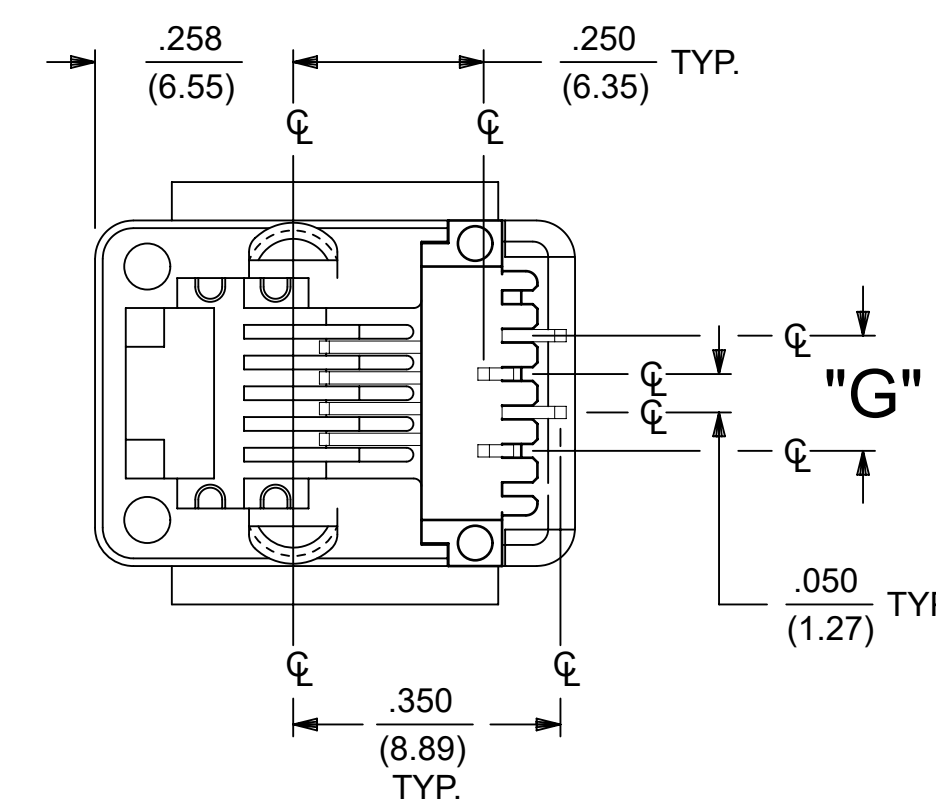
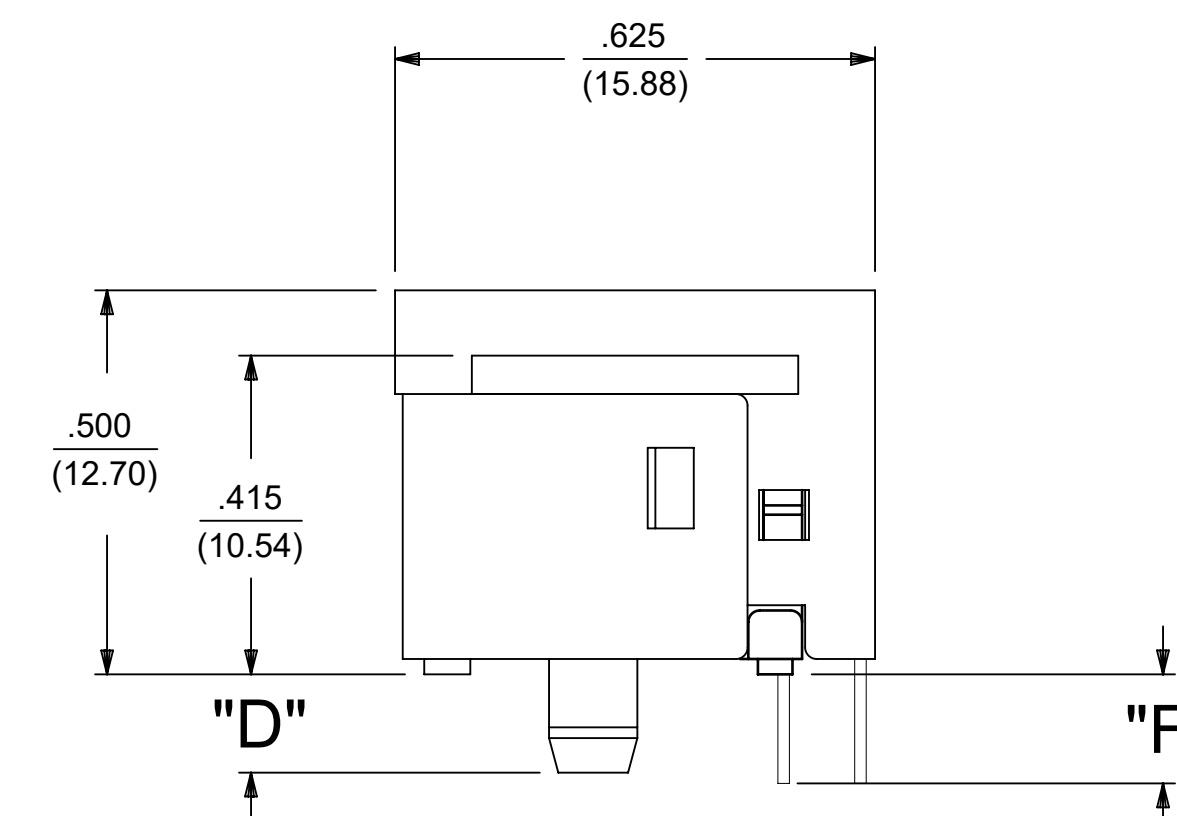
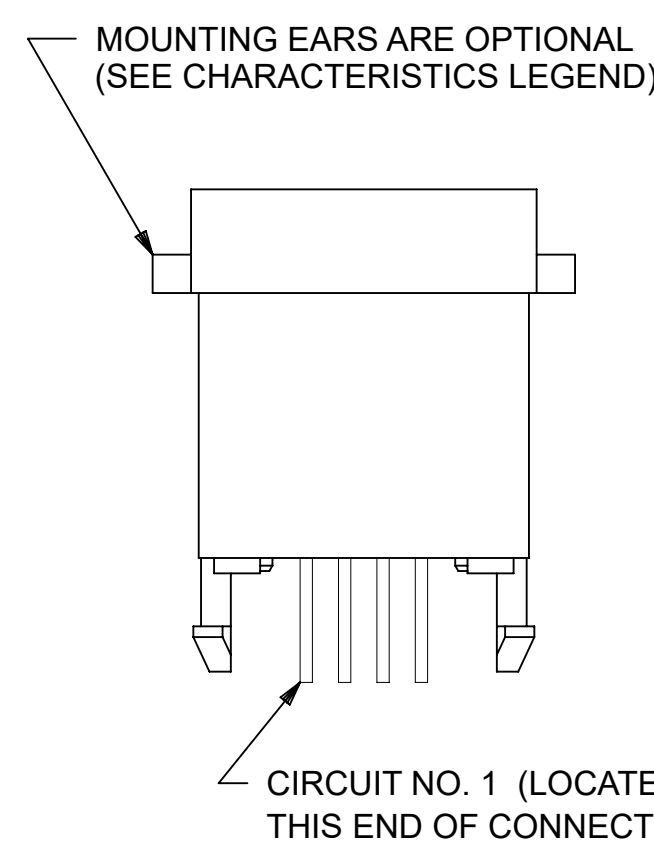
CONNECTOR SIZE	CIRCUIT SIZE	DIM. "G"
4	4	.150 (3.81)
4	2	.050 (1.27)



PANEL CUT-OUT FOR CONNECTOR SIZE 4



P.C. BOARD LAYOUT FOR CONNECTOR SIZE 4



SIZE 4 MODULAR JACK LOADED WITH 4 TERMINALS SHOWN ABOVE

(SEE SHEET 4 FOR PART NUMBER AVAILABILITY)

THIS DRAWING CONTAINS INFORMATION THAT IS PROPRIETARY TO MOLEX ELECTRONIC TECHNOLOGIES, LLC AND SHOULD NOT BE USED WITHOUT WRITTEN PERMISSION		CURRENT REV DESC: OBSOLETE PART NUMBER AS PER PCN#509457.			
DIMENSION UNITS: IN/MM		SCALE: 1:1			
GENERAL TOLERANCES (UNLESS SPECIFIED)				ASSEMBLY, VERTICAL LOW PROFILE, MODULAR JACKS (CONNECTOR SIZE 4)	
				PRODUCT CUSTOMER DRAWING	
4 PLACES ± ±				DOCUMENT NUMBER	
3 PLACES ± ± 0.01				DOC TYPE	
2 PLACES ± 0.25 ±				DOC PART	
1 PLACE ± ±				REVISION	
0 PLACES ± ±				SDA-42878-XXXX	
ANGULAR TOL ± 0.5 °				PSD 001 J	
DRAFT WHERE APPLICABLE MUST REMAIN WITHIN DIMENSIONS		THIRD ANGLE PROJECTION		MATERIAL NUMBER	
		DRAWING: D-SIZE		CUSTOMER	
		SERIES: 42878		SHEET NUMBER	
				1 OF 5	

5	H
4	H
3	H2
2	H2
1	H2
SH	REV

MODULAR JACK CHARACTERISTICS LEGEND

EXTERNAL CONNECTOR BODY DIMENSIONS: (SEE NOTES 8 AND 9)
 JACKS ARE AVAILABLE IN STANDARD 4, 6, AND 8 POSITION BODY SIZES

NUMBER OF CONTACT POSITIONS:
 CONNECTOR SIZE 4 CAN ACCOMMODATE 2 OR 4 TERMINALS;
 CONNECTOR SIZE 6 CAN ACCOMMODATE 2, 4, OR 6 TERMINALS;
 CONNECTOR SIZE 8 CAN ACCOMMODATE 2, 4, 6, 8, OR 10 TERMINALS

POLARIZATION OPTION:
 "NO"= JACKS WITHOUT KEYING SLOT
 "YES"= JACKS WITH KEYING SLOT (AVAILABLE ON CONNECTOR SIZE 8 ONLY)

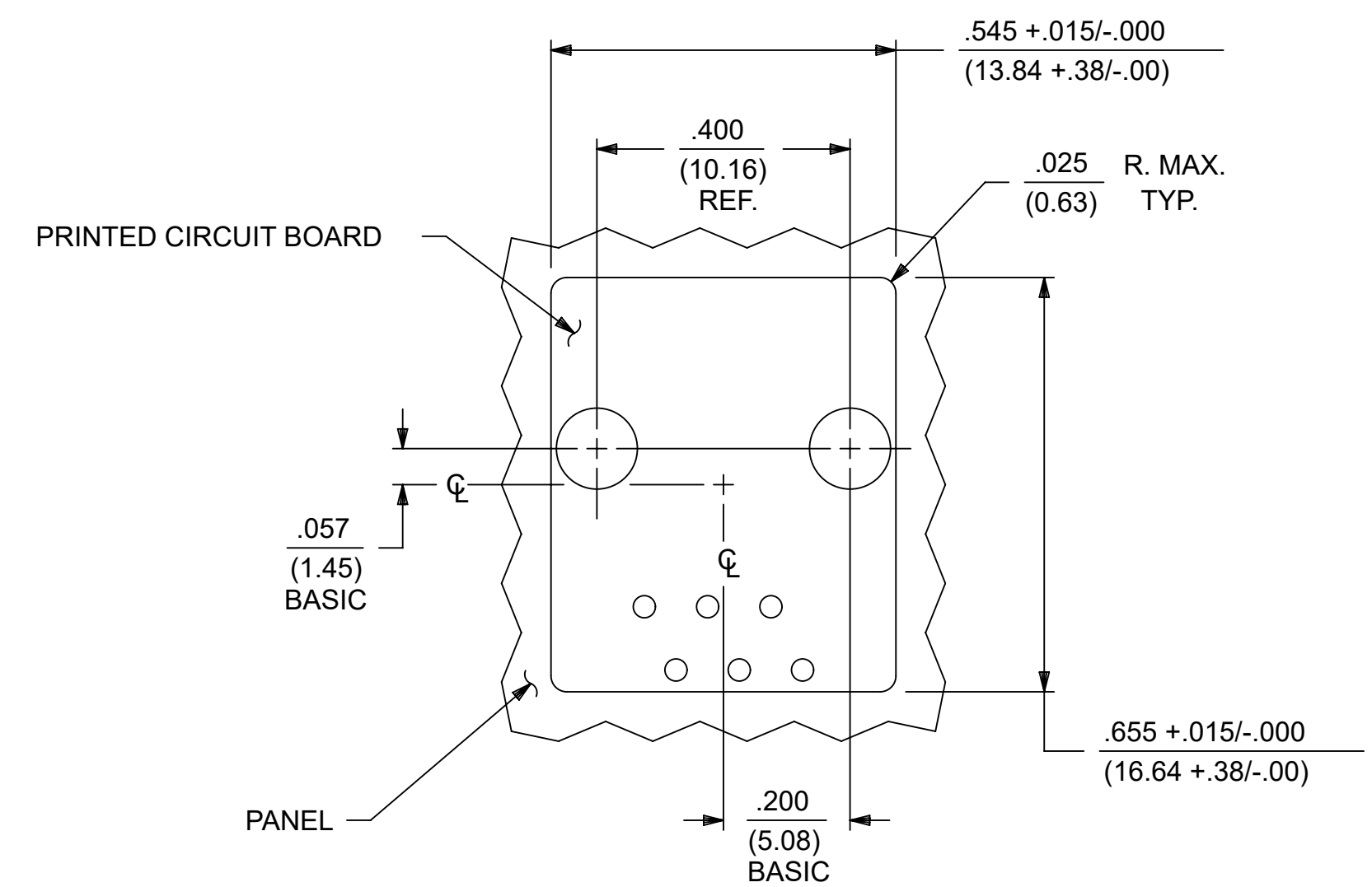
MOUNTING EARS OPTION:
 "YES"= JACKS WITH MOUNTING EARS
 "NO"= JACKS WITHOUT MOUNTING EARS

NOTES:

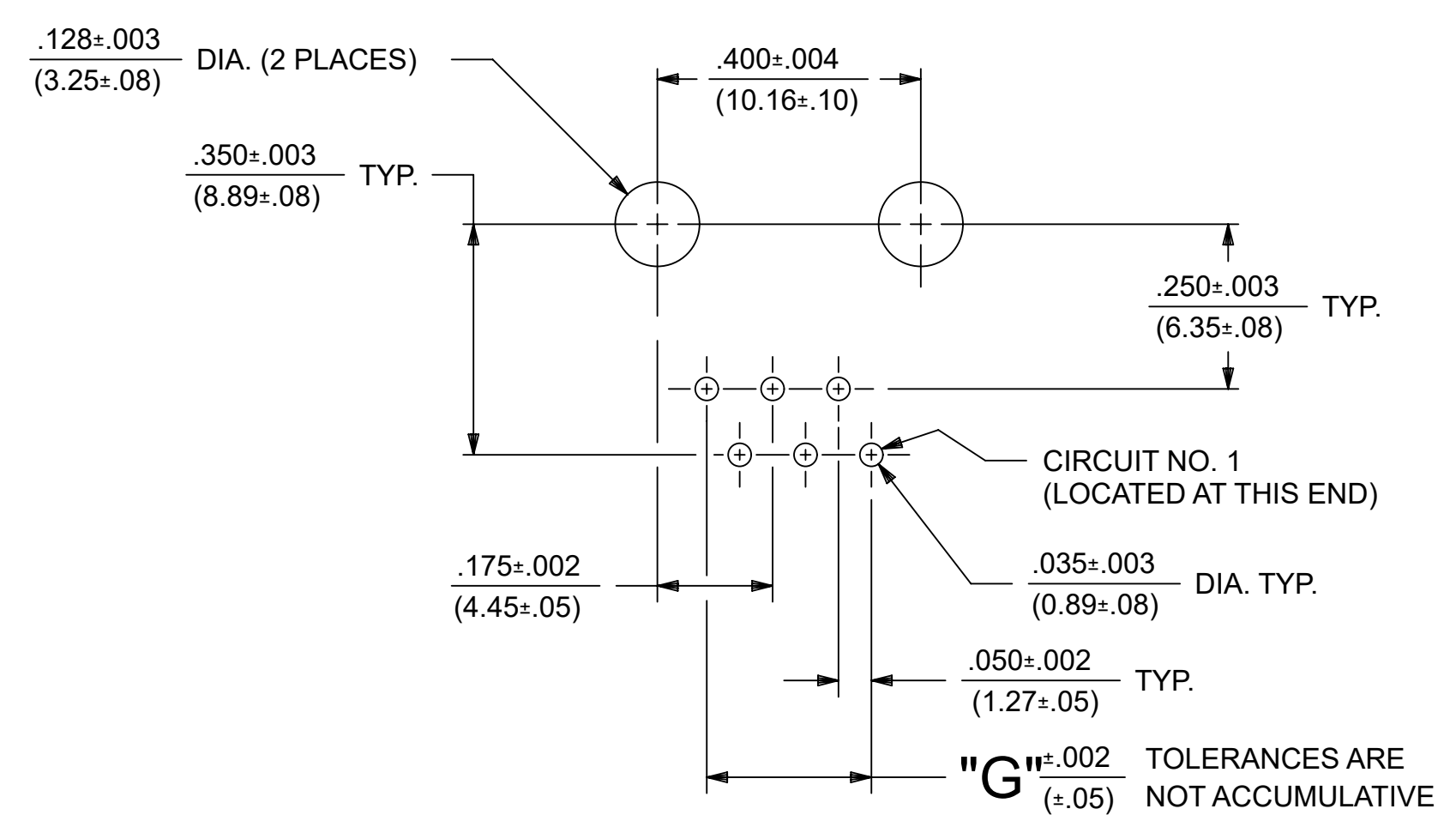
- MATERIALS: HOUSING- POLYESTER, GLASS FILLED, UL94V-0, COLOR - BLACK
 TERMINALS- PHOSPHOR BRONZE ALLOY, .015/(0.38) THICK.
- TERMINAL PLATING:
 SELECT GOLD IN CONTACT AREA: 50 MICROINCHES MIN.,
 *SELECT TIN IN PC TAIL AREA: 100 MICROINCHES MIN.,
 WITH OVERALL NICKEL UNDERPLATE: 50 MICROINCHES MIN.
 *THE PRIMARY SHIPPING CARTON WILL BE LABELED "COMPLIANT TO RoHS DIRECTIVE 2002/95/EC AND ELV ANNEX II OF DIRECTIVE 2000/53/EC". CARTONS WITHOUT THIS LABEL MAY CONTAIN PRODUCT WITH TIN-LEAD IN THE PC TAIL.
- THESE MODULAR JACKS MEET THE PERFORMANCE REQUIREMENTS OF MOLEX PRODUCT SPECIFICATION PS-42878.
- CONNECTORS ARE SHIPPED IN THERMOFORMED TRAYS, PER PACKAGING SPECIFICATION PK-42878-492.
- ALL JACKS ARE DESIGNED TO BE USED WITH .062/(1.57) OR .125/(3.18) THICK P.C. BOARDS.
- ALL JACKS CONFORM TO AND ACCEPT PLUGS WHICH CONFORM TO FCC RULES AND REGULATIONS PART 68, SUBPART F.
- ALL JACKS MUST BE CAPABLE OF FITTING INTO MOLEX GAGE G-42410 (CONNECTOR SIZE 6).
- SEE SHEETS 1 & 4 FOR CONNECTOR SIZE 4.
- SEE SHEETS 3 & 5 FOR CONNECTOR SIZE 8.
- ENGRAVED NUMBERS ON HOUSING BODY ARE FOR MOLDING IDENTIFICATION ONLY, THEY ARE NOT INTENDED FOR ASSEMBLY IDENTIFICATION PURPOSES.
- THIS PART CONFORMS TO CLASS B REQUIREMENTS OF COSMETIC SPECIFICATION PS-45499-002 WITH THE EXCEPTION OF THE SINK WHICH CONFORMS TO CLASS C REQUIREMENTS.

P. C. BOARD THICKNESS	DIM. "D" (MTG. PEGS)	DIM. "F" (P.C. TAILS)
.062/(1.57)	.128 (3.25)	.120 +.015/-.025 (3.05 +.38/- .63)
.125/(3.18)	.191 (4.85)	.205 +.015/-.025 (5.21 +.38/- .63)

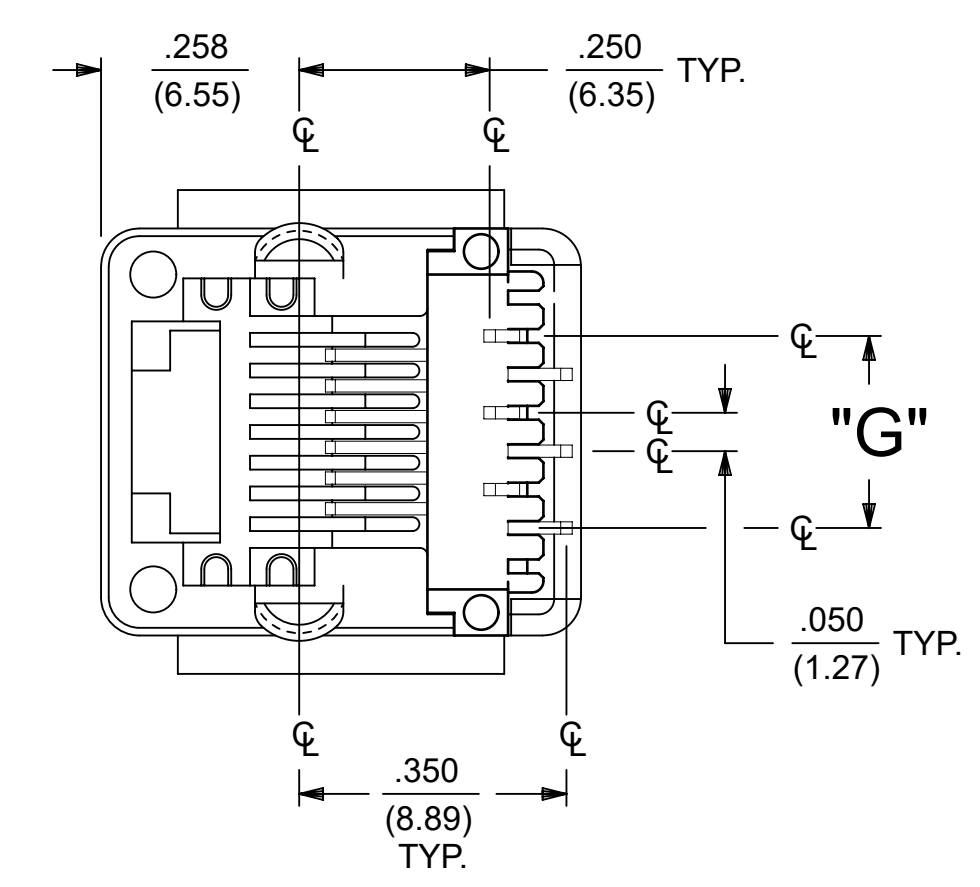
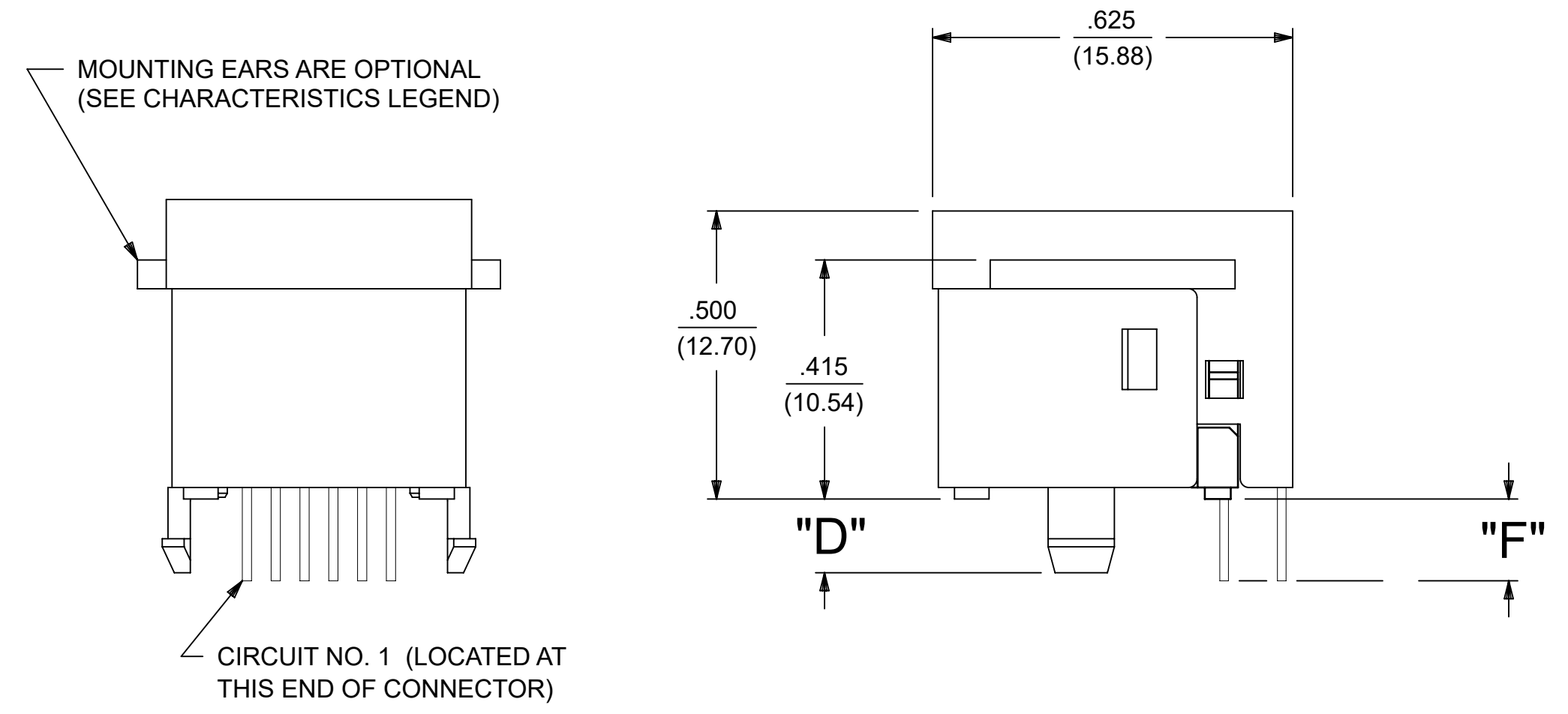
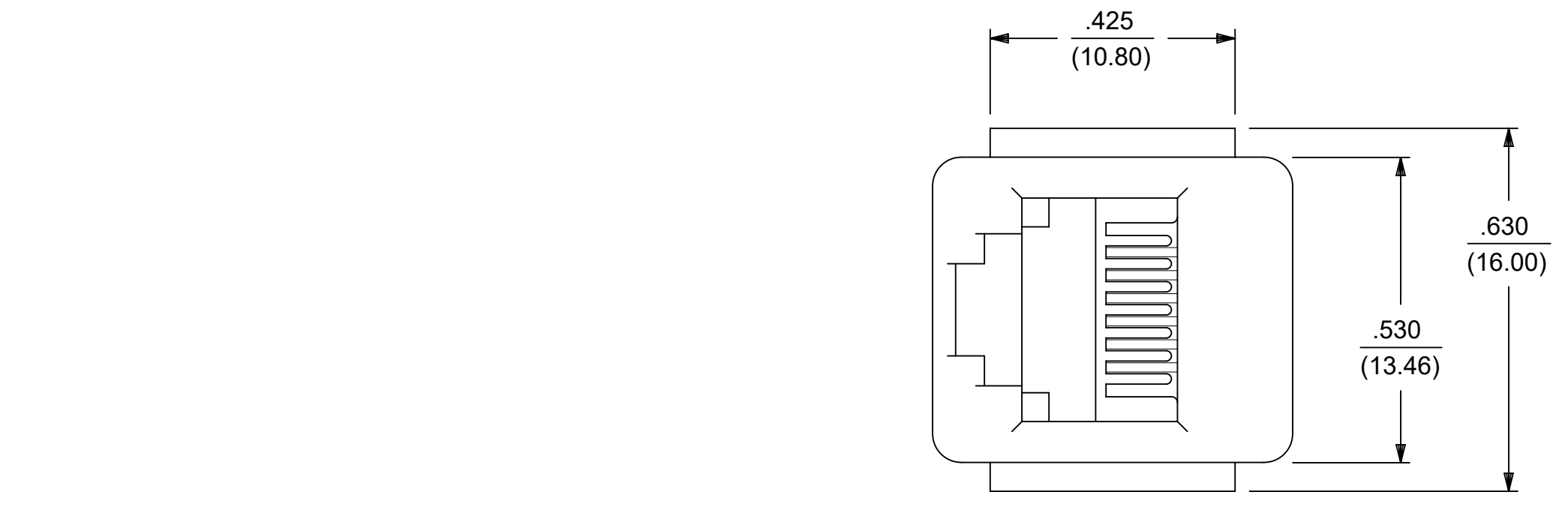
CONNECTOR SIZE	CIRCUIT SIZE	DIM. "G"
6	6	.250 (6.35)
6	4	.150 (3.81)
6	2	.050 (1.27)



PANEL CUT-OUT FOR CONNECTOR SIZE 6



P.C. BOARD LAYOUT FOR CONNECTOR SIZE 6



SIZE 6 MODULAR JACK LOADED WITH 6 TERMINALS SHOWN ABOVE

THIS DRAWING CONTAINS INFORMATION THAT IS PROPRIETARY TO MOLEX ELECTRONIC TECHNOLOGIES, LLC AND SHOULD NOT BE USED WITHOUT WRITTEN PERMISSION							
DIMENSION UNITS IN/MM		SCALE 1:1					
GENERAL TOLERANCES (UNLESS SPECIFIED)				PRODUCT CUSTOMER DRAWING			
4 PLACES ±		±		EC NO: 680890		DOCUMENT NUMBER	
3 PLACES ±		± 0.01		DRWN: SANTHN 2021/06/11		DOC TYPE	
2 PLACES ±		0.25 ±		CHK'D: GGA 2021/11/25		DOC PART	
1 PLACE ±		±		APPR: GGA 2021/11/25		REVISION	
0 PLACES ±		±		INITIAL REVISION:		SDA-42878-XXXX	
ANGULAR TOL ± 0.5 °		±		DRWN: BAP 1990/10/12		PSD 001	
DRAFT WHERE APPLICABLE MUST REMAIN WITHIN DIMENSIONS		THIRD ANGLE PROJECTION		APPR: RAS 1990/10/12		J	
		D-SIZE		SERIES		SHEET NUMBER	
		42878		MATERIAL NUMBER		2 OF 5	
				CUSTOMER			
				GENERAL MARKET			

MODULAR JACK CHARACTERISTICS LEGEND

EXTERNAL CONNECTOR BODY DIMENSIONS: (SEE NOTES 8 AND 9)
 JACKS ARE AVAILABLE IN STANDARD 4, 6, AND 8 POSITION BODY SIZES

NUMBER OF CONTACT POSITIONS:
 CONNECTOR SIZE 4 CAN ACCOMMODATE 2 OR 4 TERMINALS;
 CONNECTOR SIZE 6 CAN ACCOMMODATE 2, 4, OR 6 TERMINALS;
 CONNECTOR SIZE 8 CAN ACCOMMODATE 2, 4, 6, 8, OR 10 TERMINALS

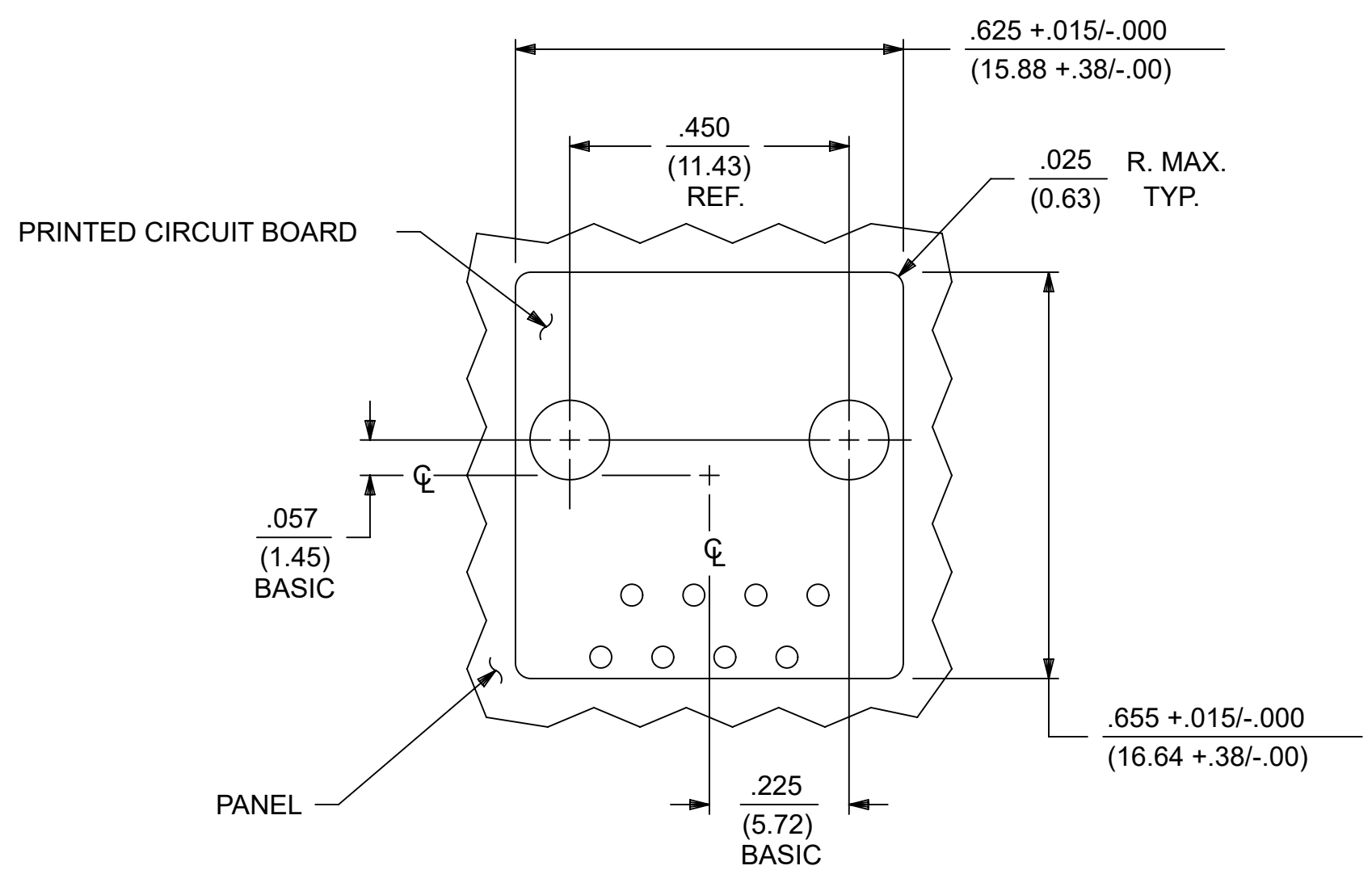
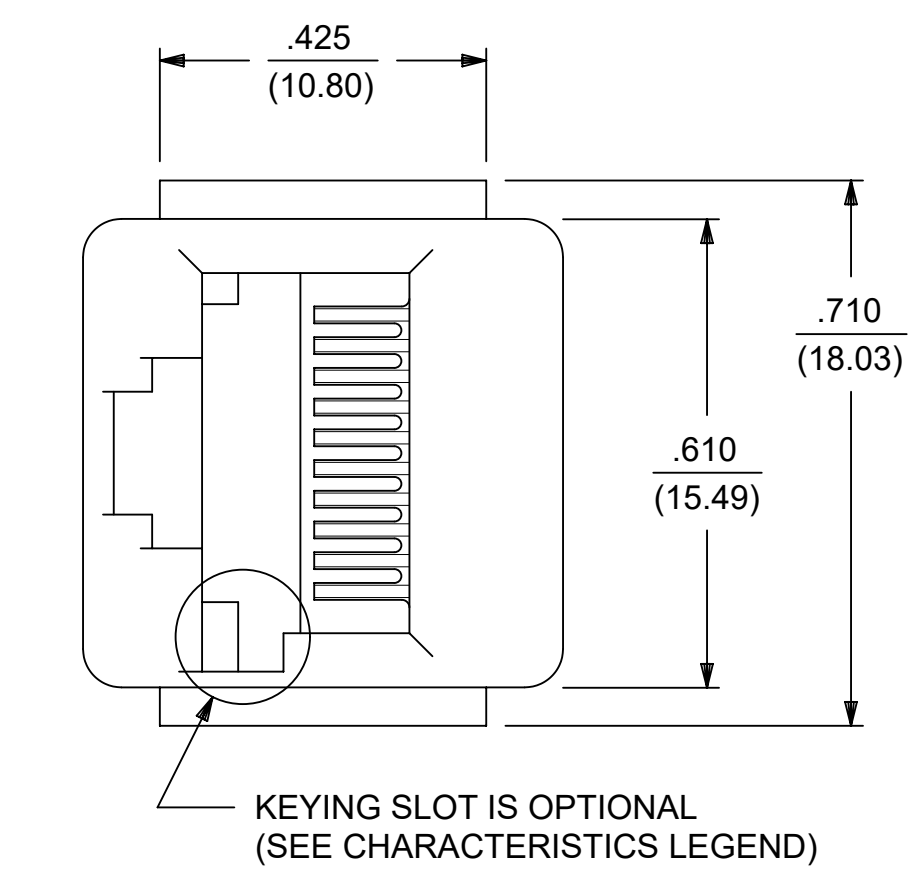
POLARIZATION OPTION:
 "NO"= JACKS WITHOUT KEYING SLOT
 "YES"= JACKS WITH KEYING SLOT (AVAILABLE ON CONNECTOR SIZE 8 ONLY)

MOUNTING EARS OPTION:
 "YES"= JACKS WITH MOUNTING EARS
 "NO"= JACKS WITHOUT MOUNTING EARS

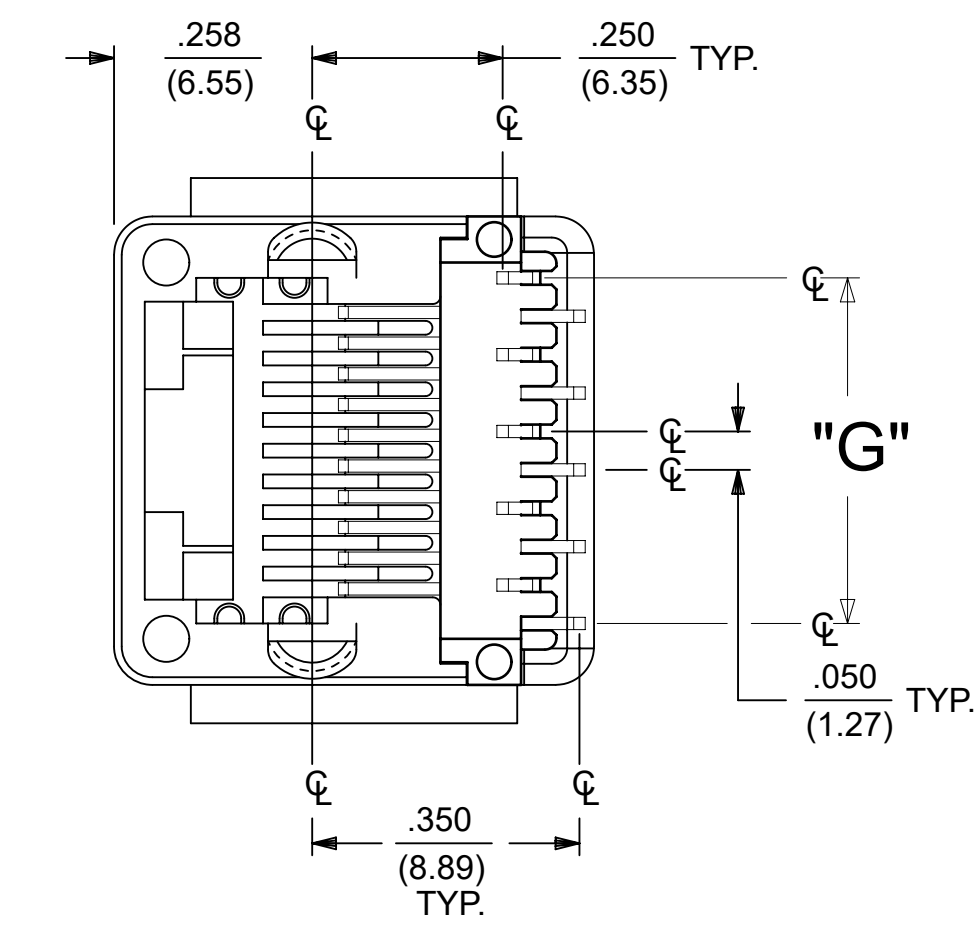
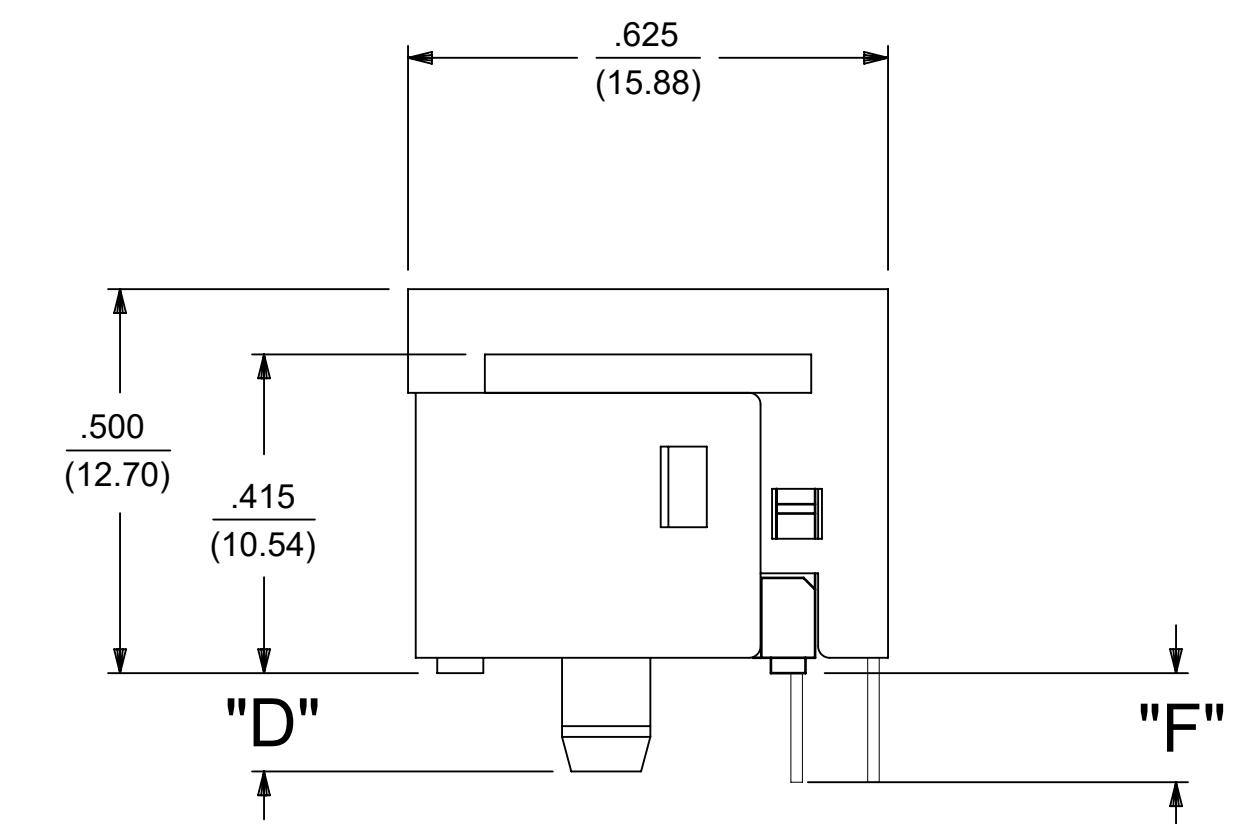
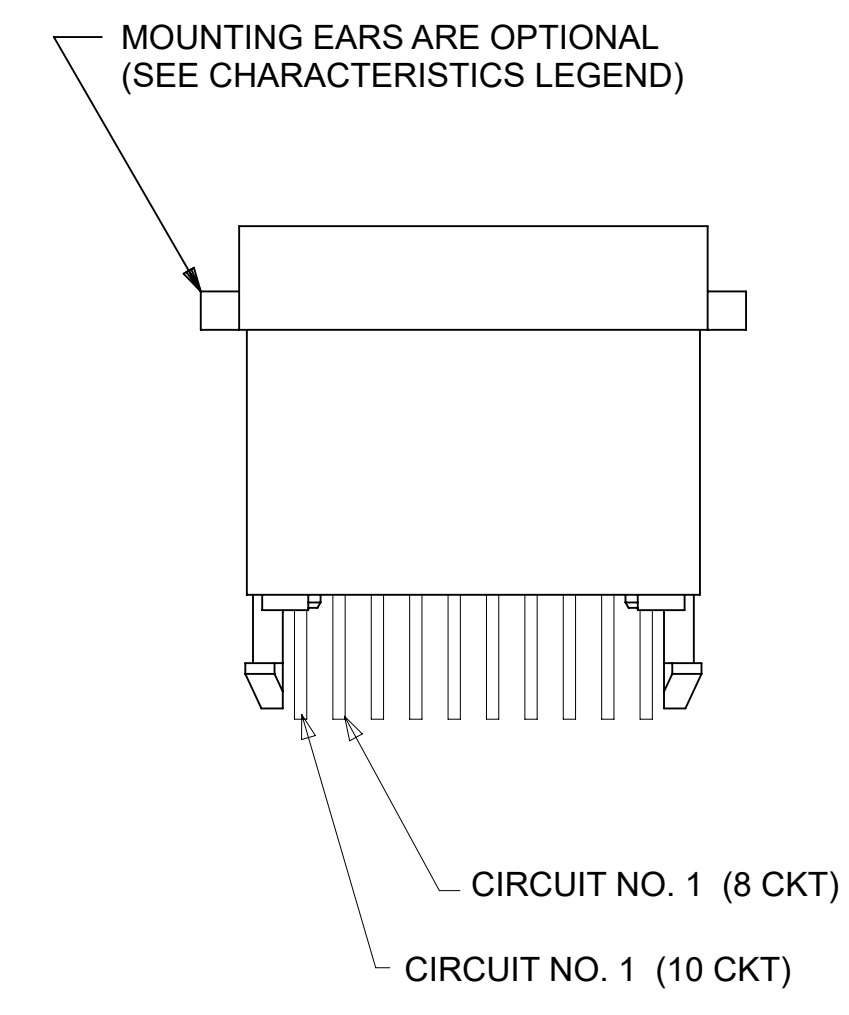
- NOTES:
- 1) MATERIALS: HOUSING- POLYESTER, GLASS FILLED, UL94V-0, COLOR - BLACK
 TERMINALS- PHOSPHOR BRONZE ALLOY, .015/(0.38) THICK.
 - 2) TERMINAL PLATING:
 SELECT GOLD IN CONTACT AREA: 50 MICROINCHES MIN.,
 *SELECT TIN IN PC TAIL AREA: 100 MICROINCHES MIN.,
 WITH OVERALL NICKEL UNDERPLATE: 50 MICROINCHES MIN.
 *THE PRIMARY SHIPPING CARTON WILL BE LABELED "COMPLIANT
 TO RoHS DIRECTIVE 2002/95/EC AND ELV ANNEX II OF DIRECTIVE
 2000/53/EC". CARTONS WITHOUT THIS LABEL MAY CONTAIN
 PRODUCT WITH TIN-LEAD IN THE PC TAIL.
 - 3) THESE MODULAR JACKS MEET THE PERFORMANCE REQUIREMENTS OF MOLEX PRODUCT SPECIFICATION PS-42878.
 - 4) CONNECTORS ARE SHIPPED IN THERMOFORMED TRAYS, PER PACKAGING SPECIFICATION PK-42878-492.
 - 5) ALL JACKS ARE DESIGNED TO BE USED WITH .062/(1.57) OR .125/(3.18) THICK P.C. BOARDS.
 - 6) ALL JACKS CONFORM TO AND ACCEPT PLUGS WHICH CONFORM TO FCC RULES AND REGULATIONS
 PART 68, SUBPART F.
 - 7) ALL JACKS MUST BE CAPABLE OF FITTING INTO MOLEX GAGE G-42410 (CONNECTOR SIZE 8).
 - 8) SEE SHEETS 1 & 4 FOR CONNECTOR SIZE 4.
 - 9) SEE SHEETS 2 & 4 FOR CONNECTOR SIZE 6.
 - 10) ENGRAVED NUMBERS ON HOUSING BODY ARE FOR MOLDING IDENTIFICATION ONLY.
 THEY ARE NOT INTENDED FOR ASSEMBLY IDENTIFICATION PURPOSES.
 - 11) THIS PART CONFORMS TO CLASS B REQUIREMENTS OF COSMETIC SPECIFICATION PS-45499-002
 WITH THE EXCEPTION OF THE SINK WHICH CONFORMS TO CLASS C REQUIREMENTS.

P.C. BOARD THICKNESS	DIM. "D" (MTG. PEGS)	DIM. "F" (P.C. TAILS)
.062/(1.57)	.128 (3.25)	.120 +.015/- .025 (3.05 +.38/- .63)
.125/(3.18)	.191 (4.85)	.205 +.015/- .025 (5.21 +.38/- .63)

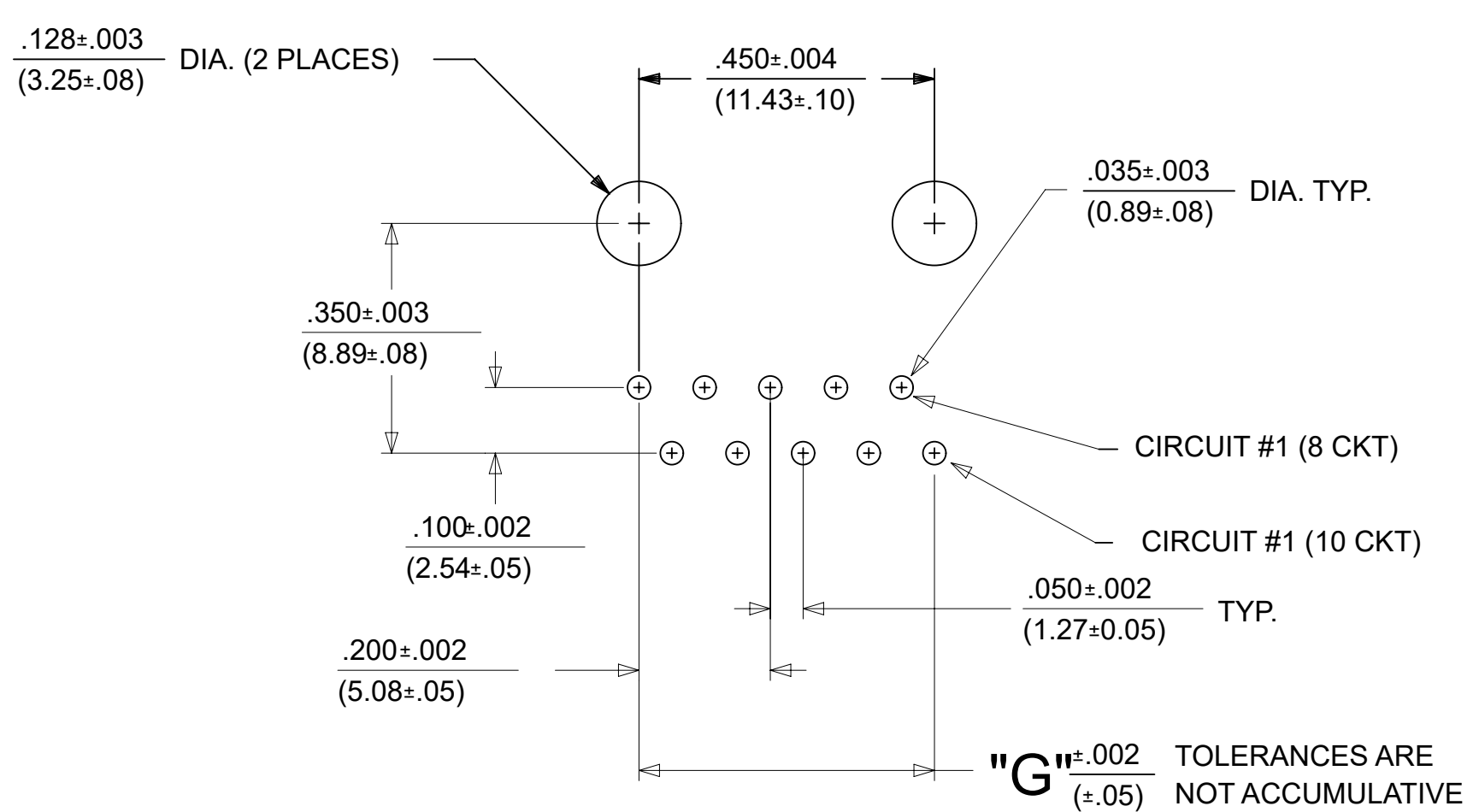
CONNECTOR SIZE	CIRCUIT SIZE	DIM. "G"
8	10	.450 (11.43)
8	8	.350 (8.89)
8	6	.250 (6.35)
8	4	.150 (3.81)
8	2	.050 (1.27)



PANEL CUT-OUT FOR CONNECTOR SIZE 8



SIZE 8 MODULAR JACK LOADED WITH 10 TERMINALS SHOWN ABOVE



P.C. BOARD LAYOUT FOR CONNECTOR SIZE 8

10 CIRCUIT SHOWN

THIS DRAWING CONTAINS INFORMATION THAT IS PROPRIETARY TO MOLEX ELECTRONIC TECHNOLOGIES, LLC AND SHOULD NOT BE USED WITHOUT WRITTEN PERMISSION		CURRENT REV DESC: OBSOLETE PART NUMBER AS PER PCN#509457.			
DIMENSION UNITS	SCALE	EC NO: 680890			
IN/MM	1:1	DRWN: SANTHN 2021/06/11		ASSEMBLY, VERTICAL LOW PROFILE, MODULAR JACKS (CONNECTOR SIZE 4)	
GENERAL TOLERANCES (UNLESS SPECIFIED)		CHK'D: GGA 2021/11/25			
4 PLACES	±	APPR: GGA 2021/11/25		PRODUCT CUSTOMER DRAWING	
3 PLACES	±	INITIAL REVISION:			
2 PLACES	± 0.25	DRWN: BAP 1990/10/12		DOCUMENT NUMBER: SDA-42878-XXXX	
1 PLACE	±	APPR: RAS 1990/10/12			
0 PLACES	±	THIRD ANGLE PROJECTION		DOC TYPE: PSD	
ANGULAR TOL	± 0.5 °	DRAWING: D-SIZE		DOC PART: 001	
DRAFT WHERE APPLICABLE MUST REMAIN WITHIN DIMENSIONS		SERIES: 42878		REVISION: J	
		MATERIAL NUMBER: SEE TABLE		SHEET NUMBER: 3 OF 5	
		CUSTOMER: GENERAL MARKET			

ASSEMBLY NUMBER	PART CHARACTERISTICS			
	EXTERNAL CONNECTOR SIZE	NUMBER OF POSITIONS	P. C. BOARD THICKNESS	MOUNTING EARS OPTION
42878-4216	4 POS. BODY	4	.062	YES
42878-4218	4 POS. BODY	4	.062	NO

ASSEMBLY ITEM NUMBER	PART CHARACTERISTICS			
	EXTERNAL CONNECTOR SIZE	NUMBER OF POSITIONS	P. C. BOARD THICKNESS	MOUNTING EARS OPTION
42878-6216	6 POS. BODY	6	.062	YES
42878-6218	6 POS. BODY	6	.062	NO
42878-6362	6 POS. BODY	4	.062	NO
42878-6506	6 POS. BODY	2	.062	NO

CHARACTERISTICS LEGEND			
EXTERNAL CONNECTOR BODY DIMENSIONS: AVAILABLE IN 4, 6, AND 8 POSITION BODY			
NUMBER OF CONTACT POSITIONS: CONNECTOR SIZE 4 ACCOMMODATES 2, 4, OR 4 TERMINALS; CONNECTOR SIZE 6 ACCOMMODATES 2, 4, OR 6 TERMINALS; CONNECTOR SIZE 8 ACCOMMODATES 2, 4, 6, 8, OR 10 TERMINALS			
POLARIZATION OPTION: (AVAILABLE ON CONNECTOR SIZE 8 ONLY) "NO"= WITHOUT KEYING SLOT "YES"= WITH KEYING SLOT			
MOUNTING EARS OPTION: "YES"= PART WITH MOUNTING EARS "NO"= PART WITHOUT MOUNTING EARS			

(SEE SHEET 1 & 2 FOR PART DESCRIPTIONS AND DIMENSIONS)

THIS DRAWING CONTAINS INFORMATION THAT IS PROPRIETARY TO MOLEX ELECTRONIC TECHNOLOGIES, LLC AND SHOULD NOT BE USED WITHOUT WRITTEN PERMISSION AS PER PCN#509457.											
DIMENSION UNITS IN/MM		SCALE 1:1		CURRENT REV DESC: OBSOLETE PART NUMBER AS PER PCN#509457.						molex	
GENERAL TOLERANCES (UNLESS SPECIFIED)				EC NO: 680890		2021/06/11		ASSEMBLY, VERTICAL LOW PROFILE, MODULAR JACKS (CONNECTOR SIZE 4)			
	MM	INCH		DRWN: SANTHN		2021/11/25				PRODUCT CUSTOMER DRAWING	
4 PLACES	±	±		CHK'D: GGA		2021/11/25		DOCUMENT NUMBER SDA-42878-XXXX			
3 PLACES	±	± 0.01		APPR: GGA		2021/11/25				DOC TYPE PSD	
2 PLACES	±	0.25	±	INITIAL REVISION:				DOC PART 001			
1 PLACE	±	±		DRWN: BAP		1990/10/12				REVISION J	
0 PLACES	±	±		APPR: RAS		1990/10/12		MATERIAL NUMBER SEE TABLE			
ANGULAR TOL			± 0.5 °	THIRD ANGLE PROJECTION						CUSTOMER GENERAL MARKET	
DRAFT WHERE APPLICABLE MUST REMAIN WITHIN DIMENSIONS				DRAWING D-SIZE		SERIES 42878		SHEET NUMBER 4 OF 5			

DOCUMENT STATUS	P1	RELEASE DATE	2021/11/25	12:18:04
-----------------	----	--------------	------------	----------


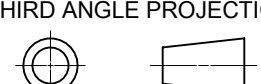
ASSEMBLY ITEM NUMBER	PART CHARACTERISTICS				
	EXTERNAL CONNECTOR SIZE	NUMBER OF POSITIONS	P. C. BOARD THICKNESS	POLARIZATION OPTION	MOUNTING EARS OPTION
42878-8408	8 POS. BODY	8	.062	NO	YES
42878-8410	8 POS. BODY	8	.062	NO	NO
42878-8456	8 POS. BODY	8	.062	YES	YES
42878-8458	8 POS. BODY	8	.062	YES	NO
42878-8506	8 POS. BODY	8	.125	NO	NO

ASSEMBLY ITEM NUMBER	PART CHARACTERISTICS				
	EXTERNAL CONNECTOR SIZE	NUMBER OF POSITIONS	BOARD THICKNESS/ P.C. TAIL OPTION	POLARIZATION OPTION	MOUNTING EARS OPTION
42878-9370	8 POS. BODY	2	.125	NO	NO

ASSEMBLY ITEM NUMBER	PART CHARACTERISTICS				
	EXTERNAL CONNECTOR SIZE	NUMBER OF POSITIONS	BOARD THICKNESS/ P.C. TAIL OPTION	POLARIZATION OPTION	MOUNTING EARS OPTION
42878-1003	8 POS. BODY	10	.062	NO	NO

CHARACTERISTICS LEGEND
EXTERNAL CONNECTOR BODY DIMENSIONS: AVAILABLE IN 4, 6, AND 8 POSITION BODY
NUMBER OF CONTACT POSITIONS: CONNECTOR SIZE 4 ACCOMMODATES 2, OR 4 TERMINALS; CONNECTOR SIZE 6 ACCOMMODATES 2, 4, OR 6 TERMINALS; CONNECTOR SIZE 8 ACCOMMODATES 2, 4, 6, 8, OR 10 TERMINALS
POLARIZATION OPTION: (AVAILABLE ON CONNECTOR SIZE 8 ONLY) "NO"= WITHOUT KEYING SLOT "YES"= WITH KEYING SLOT
MOUNTING EARS OPTION: "YES"= PART WITH MOUNTING EARS "NO"= PART WITHOUT MOUNTING EARS

(SEE SHEET 3 FOR PART DESCRIPTIONS AND DIMENSIONS)

THIS DRAWING CONTAINS INFORMATION THAT IS PROPRIETARY TO MOLEX ELECTRONIC TECHNOLOGIES, LLC AND SHOULD NOT BE USED WITHOUT WRITTEN PERMISSION													
DIMENSION UNITS	SCALE	CURRENT REV DESC: OBSOLETE PART NUMBER AS PER PCN#509457.											
IN/MM	1:1												
GENERAL TOLERANCES (UNLESS SPECIFIED)					ASSEMBLY, VERTICAL LOW PROFILE, MODULAR JACKS (CONNECTOR SIZE 4)								
	MM	INCH				PRODUCT CUSTOMER DRAWING							
4 PLACES	±	±				DOCUMENT NUMBER							
3 PLACES	±	± 0.01				DOC TYPE							
2 PLACES	±	0.25				DOC PART							
1 PLACE	±	±				REVISION							
0 PLACES	±	±				SDA-42878-XXXX							
ANGULAR TOL	±	0.5 °				PSD							
DRAFT WHERE APPLICABLE MUST REMAIN WITHIN DIMENSIONS		THIRD ANGLE PROJECTION		DRAWING		SERIES		MATERIAL NUMBER		CUSTOMER		SHEET NUMBER	
				D-SIZE		42878		SEE TABLE		GENERAL MARKET		5 OF 5	