



产品编号 : [430250208](#)

Product Description : Micro-Fit 3.0 Receptacle Housing, Dual Row, 2 Circuits, UL 94V-0, Low-Halogen Since Inception, Black

系列号 : 43025

状态 : Active

Product Category : Connector Housings



文件和资源

图纸

[图纸 430250208_sd.pdf](#)

3D 模型和设计文件

[3D模型 430250208_stp.zip](#)

规格

[应用规格 430250000-AS-000.pdf](#)

[包装规格 PK-43025-001-001.pdf](#)

[产品规格 430450001-PS-K0-000.pdf](#)

[产品规格 430450001-PS-SP-000.pdf](#)

[产品规格 PS-43045-001.pdf](#)

[测试摘要 430450005-TS-000.pdf](#)

[测试摘要 TS-43045-001-001.pdf](#)

[测试摘要 TS-43045-003-001.pdf](#)

[测试摘要 TS-46235-001-001.pdf](#)

产物环境合规

合规

GADSL/IMDS	Not Relevant
China RoHS	
EU ELV	Not Relevant
Low-Halogen Status	Low-Halogen per IEC 61249-2-21
REACH SVHC	Not Contained per D(2023)8585-DC (23 Jan 2024)
EU RoHS	Compliant per EU 2015/863

[多部分产品合规性声明](#)

- Eu RoHS
- REACH SVHC
- Low-Halogen

多部分行业合规性文件

- IPC 1752A Class C
- IPC 1752A Class D
- Molex Product Compliance Declaration
- IEC-62474
- chemSHERPA (xml)

欧盟 RoHS 合格证书

产品详情

常规

状态	活动
类别	Connector Housings
系列	43025
说明	Micro-Fit 3.0 Receptacle Housing, Dual Row, 2 Circuits, UL 94V-0, Low-Halogen Since Inception, Black
应用	Power, Wire-to-Board, Wire-to-Wire
个评论	Halogen Free/Low Halogen since inception
产品系列	Micro-Fit Connector System
产品名称	Micro-Fit 3.0
UPC	883906114343

机构

CSA	LR19980
UL	E29179

物理

电路数（最多）	2
颜色-树脂	黑色
阻燃性	94V-0
性别	Receptacle
符合灼热丝规范	否

插接极性	无
锁定插接部位	是
材料 - 树脂	Nylon
净重	0.261/g
行数	2
包装形式	Bag
面板安装式	否
间距 - 插配接口	3.00mm
有极性的插配件	是
可堆叠的	否
运行温度范围	-40° to +105° C

进程

无铅	不适用
----	-----

可配插/可连接使用的产品

可配插部件

描述	产品编号
Micro-Fit 3.0 Dual Row Plug Housings	<u>43020</u>
Micro-Fit 3.0 Dual Row Headers	<u>43045</u>
Micro-Fit 3.0 Dual Row Test Plugs	<u>44242</u>
Micro-Fit 3.0 Male-to-Micro-Fit 3.0 Male Off-the-Shelf (OTS) Cable Assemblies	<u>214757</u>
Micro-Fit 3.0 Male-to-Pigtail Off-the-Shelf (OTS) Cable Assemblies	<u>214758</u>

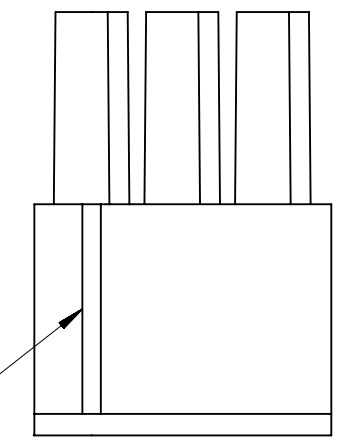
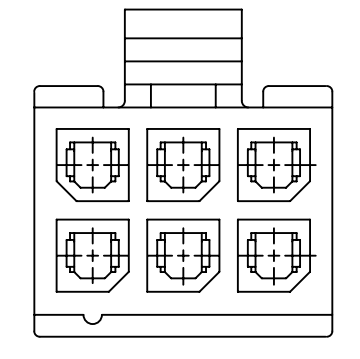
可连接使用部件

描述	产品编号
Pre-Crimped Lead Micro-Fit 3.0 Female-to-Micro-Fit 3.0 Female, Tin (Sn) Plating, 150.00mm Length, 20 AWG, Black	<u>/content/molex/molex-dot-com/cn/zh/products/product-page.html/797580002.html</u>

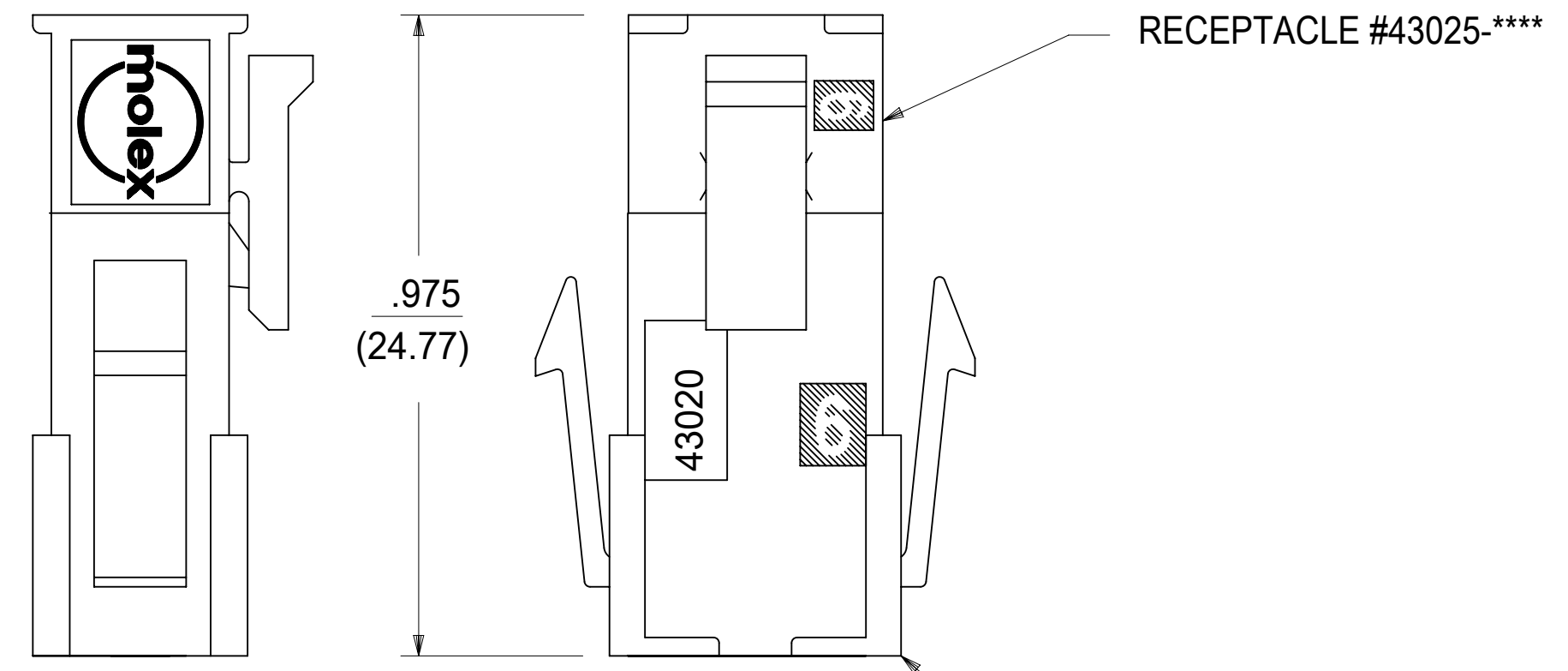
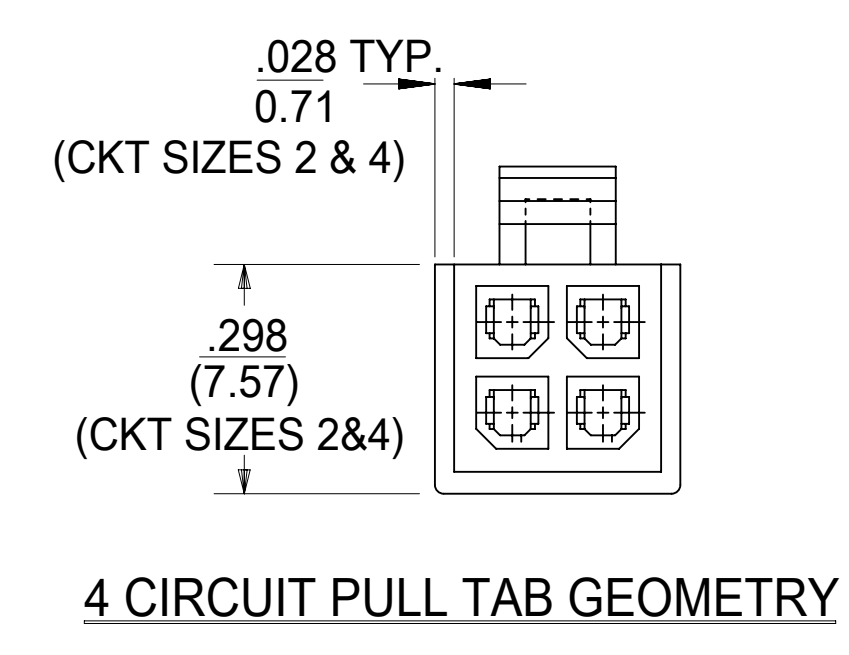
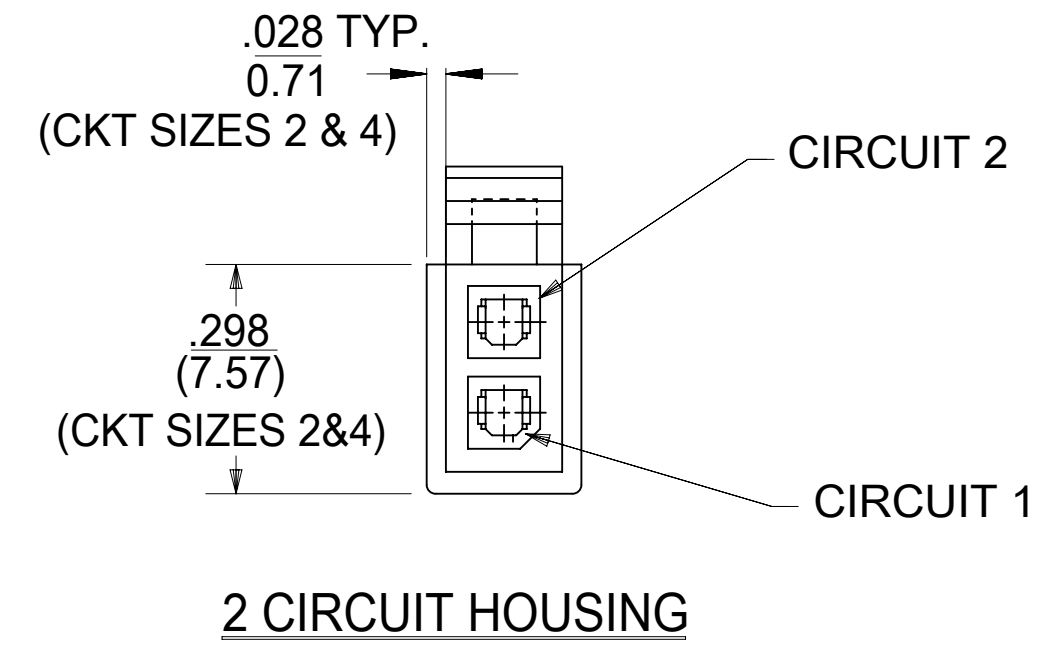
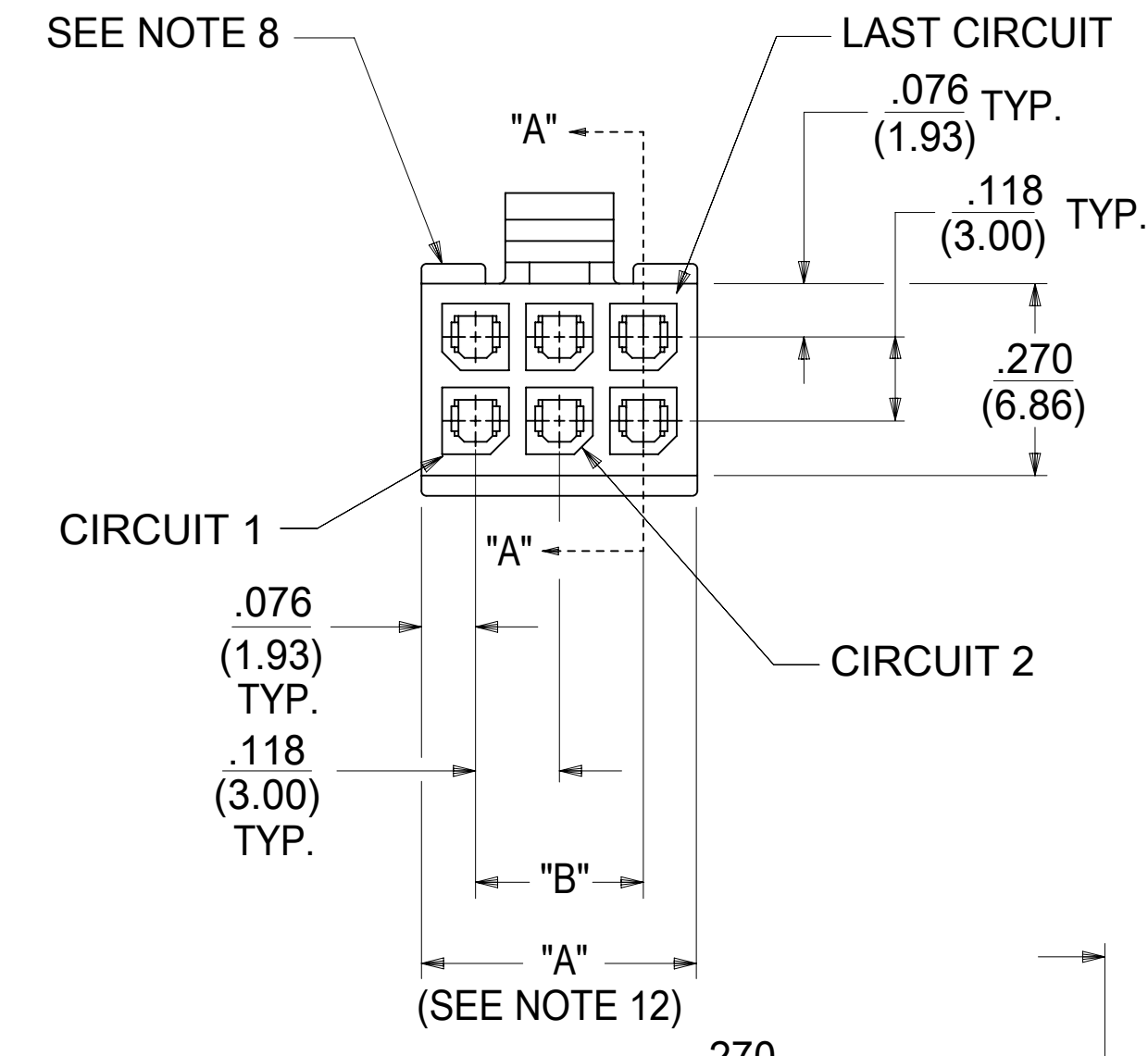
Pre-Crimped Lead Micro-Fit 3.0 Female-to-Micro-Fit 3.0 Female, Gold (Au) Plating, 150.00mm Length, 20 AWG, Black	/content/molex/molex-dot-com/cn/zh/products/product-page.html/797580004.html
Pre-Crimped Lead Micro-Fit 3.0 Female-to-Micro-Fit 3.0 Female, Tin (Sn) Plating, 300.00mm Length, 20 AWG, Black	/content/molex/molex-dot-com/cn/zh/products/product-page.html/797580010.html
Pre-Crimped Lead Micro-Fit 3.0 Female-to-Micro-Fit 3.0 Female, Gold (Au) Plating, 300.00mm Length, 20 AWG, Black	/content/molex/molex-dot-com/cn/zh/products/product-page.html/797580012.html
Micro-Fit 3.0 Female Crimp Terminals	43030
Micro-Fit 3.0 Female Crimp Terminals with Lubricant	45773
Micro-Fit Reduced Mating Force Female Crimp Terminals	46235
Pre-Crimped Lead Micro-Fit 3.0 Female-to-Micro-Fit 3.0 Female	214760
Pre-Crimped Lead Micro-Fit 3.0 Female-to-Pigtail	214761

PART CHARACTERISTICS	
NUMBER OF POSITION	ASSEMBLY ITEM NUMBER
02	43025-0208
04	43025-0408
06	43025-0608
08	43025-0808
10	43025-1008
12	43025-1208
14	43025-1408
16	43025-1608
18	43025-1808
20	43025-2008
22	43025-2208
24	43025-2408

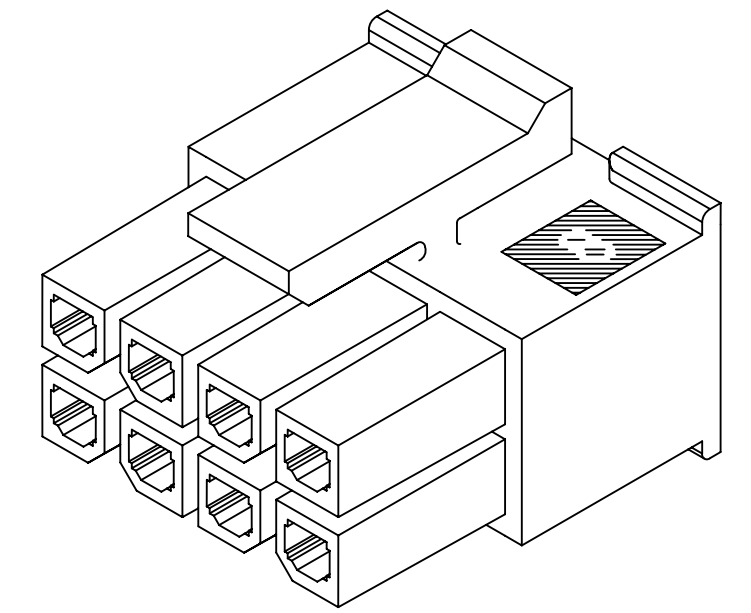
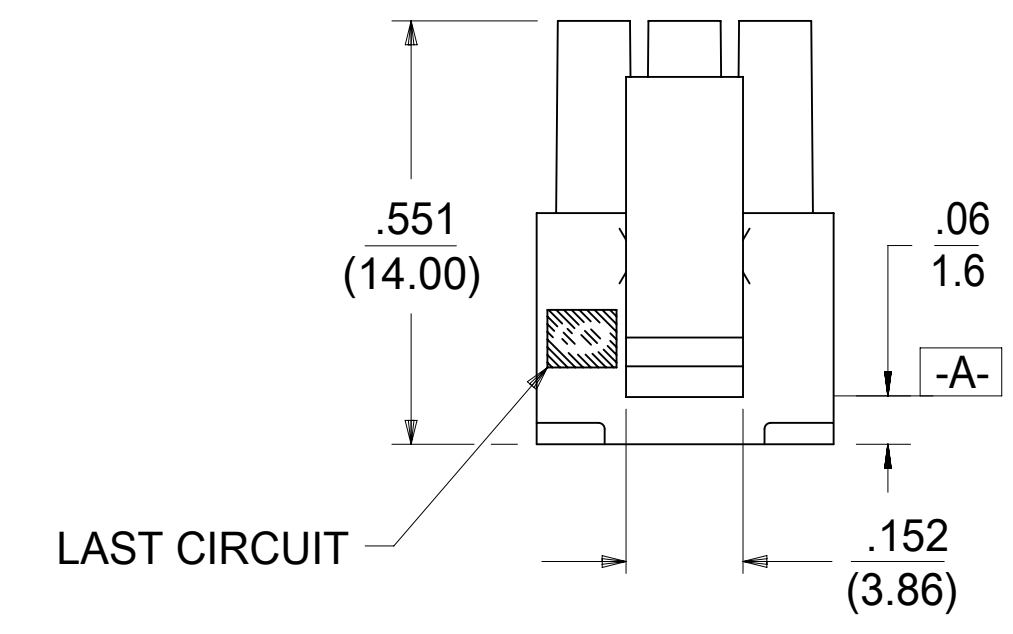
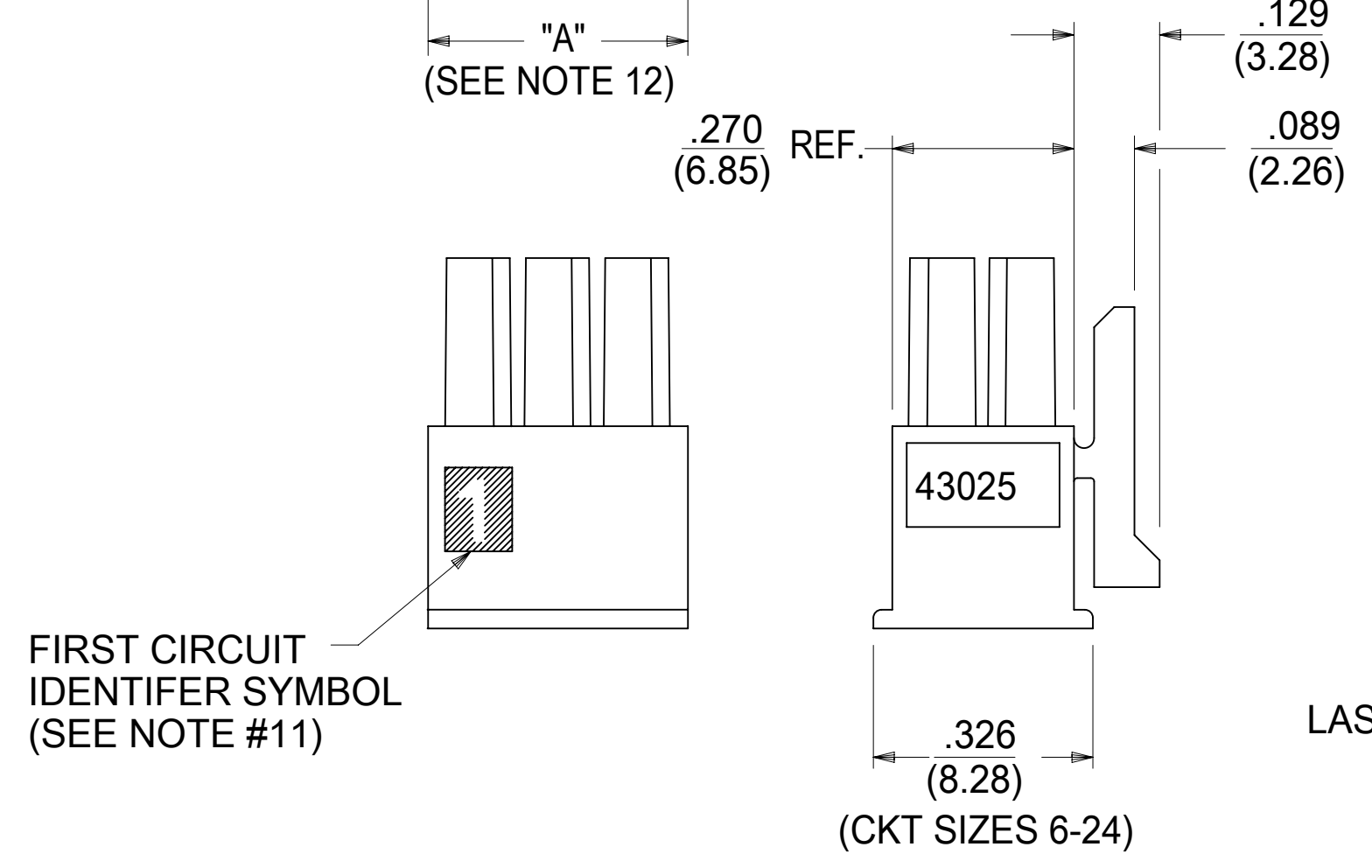
CKT. NO.	DIM. "A" +.014 -.010 +0.35 -0.25	DIM. "B"
2	.152(3.86)	N/A
4	.270(6.85)	.118(3.00)
6	.388(9.85)	.236(6.00)
8	.506(12.85)	.354(9.00)
10	.624(15.85)	.472(12.00)
12	.742(18.85)	.591(15.00)
14	.860(21.85)	.709(18.00)
16	.978(24.85)	.827(21.00)
18	1.096(27.85)	.945(24.00)
20	1.215(30.85)	1.063(27.00)
22	1.333(33.85)	1.181(30.00)
24	1.451(36.85)	1.299(33.00)



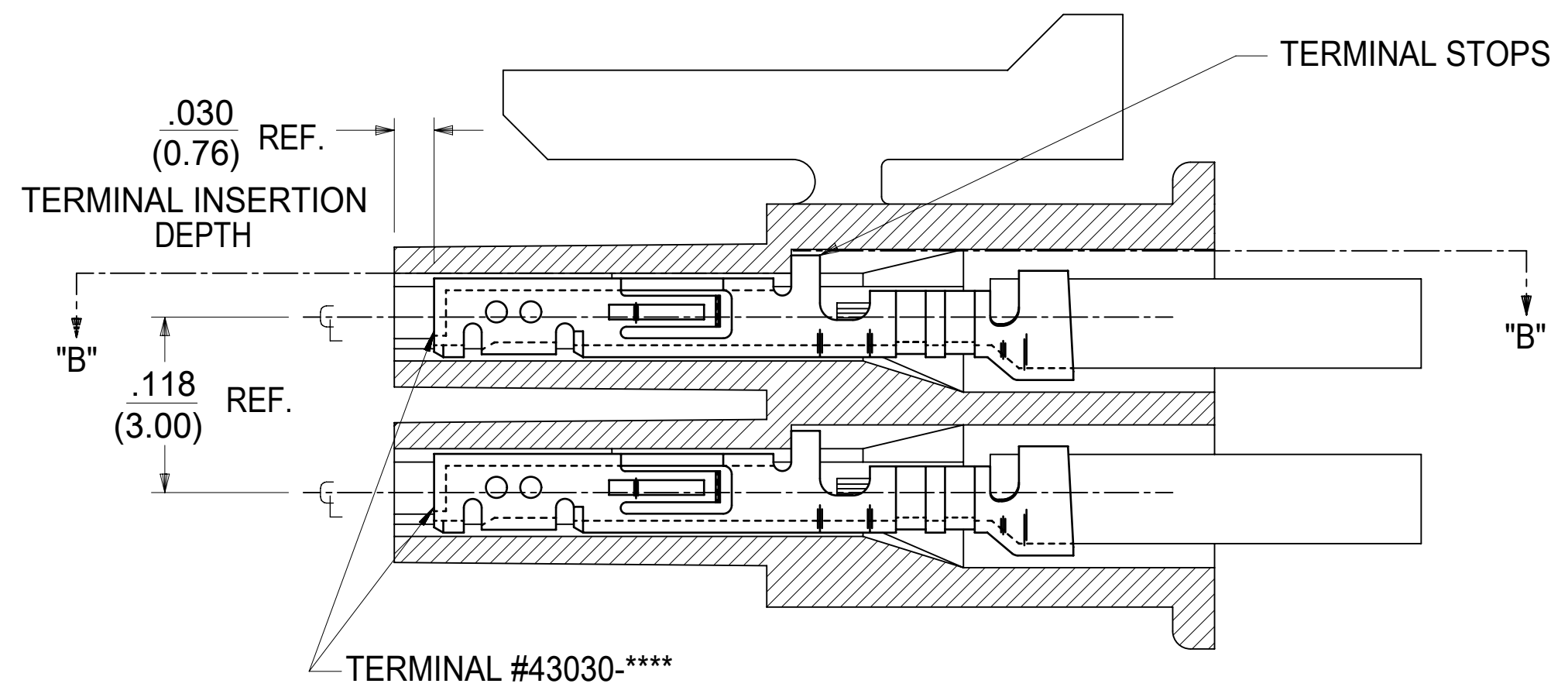
HOUSING SHOWN WITH FIRST CIRCUIT IDENTIFIER RIB (SEE NOTE #11)



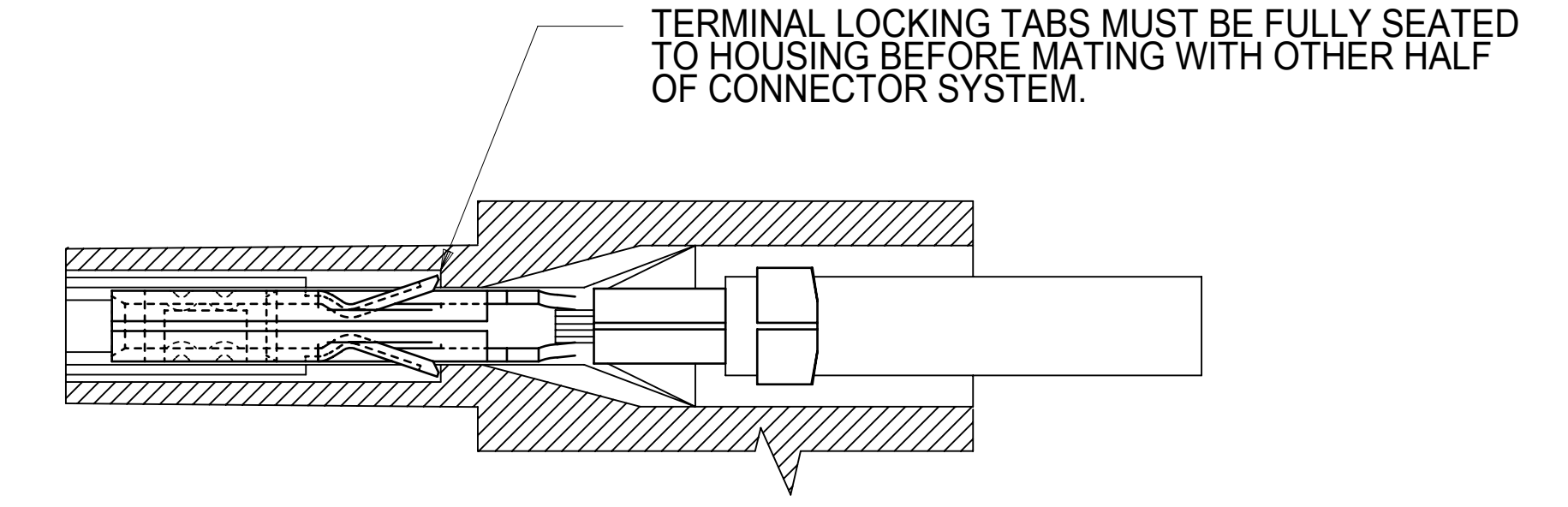
MATED MICRO-FIT CONNECTOR



RECEPTACLE ISO VIEW (8 CURCUIT SHOWN) (SEE NOTE 9 FOR TESTING)



SECTION "A"-"A" WITH TERMINAL (SCALE 10:1)



SECTION "B"-"B" (SCALE 10:1)

- NOTES:
- 1) HOUSING MATERIAL: UNFILLED NYLON, RATED UL 94V-0, COLOR IS BLACK, (LOW HALOGEN)
 - 2) FINISH: N/A
 - 3) PRODUCT SPECIFICATION: PS-43045
 - 4) PACKAGING SPECIFICATION: PK-43025-001
 - 5) THIS RECEPTACLE MATES WITH 43020, 43045
 - 6) THIS RECEPTACLE TO BE USED WITH MOLEX FEMALE TERMINAL SERIES 43030 OR 46235. SEE SECTION "A"-"A" FOR TERMINAL ORIENTATION IN HOUSING.
 - 7) FOR OVERMOLDING PARAMETERS SEE APPLICATION SPECIFICATION 430250000-AS
 - 8) TOP PULL TABS ARE NOT AVAILABLE ON 2 AND 4 CIRCUIT PARTS
 - 9) MOLEX RECOMMENDS THE USE OF MICRO-FIT TEST PLUG, SERIES NO. 44242-**** WHENEVER TESTING IS PERFORMED. TEST PLUGS MUST NOT BE USED FOR MAKE OR BREAK UNDER LOAD. MOLEX DOES NOT RECOMMEND USING STANDARD MATING COMPONENTS FOR HARNESS TESTING PURPOSES.
 - 10) SOME HOUSINGS MAY HAVE A SMALL GATE BLEMISH NEAR THE GATE THAT DOES NOT AFFECT FUNCTIONALITY
 - 11) HOUSINGS HAVE EITHER AN IDENTIFIER RIB OR ENGRAVED "1" SYMBOL TO INDICATE CIRCUIT #1. IDENTIFIER TYPE IS TOOL DEPENDENT AND NOT SELECTABLE.
 - 12) DIMENSION 'A' MEASURED AT DATUM \square -A-
 - 13) THIS PART CONFORMS TO CLASS 'B' REQUIREMENTS OF COSMETIC SPECIFICATION PS-45499-002
 - 14) TEXT ON PART IS FOR REFERENCE ONLY. TEXT AND TEXT LOCATION MAY VARY DEPENDING ON PART NUMBER AND/OR TOOL.

SYMBOLS	THIS DRAWING CONTAINS INFORMATION THAT IS PROPRIETARY TO MOLEX ELECTRONIC TECHNOLOGIES, LLC AND SHOULD NOT BE USED WITHOUT WRITTEN PERMISSION		CURRENT REV DESC: UPDATE NOTE 7	
	DIMENSION UNITS	SCALE		
∇ = 0	IN/MM	NTS		
∇ = 0	GENERAL TOLERANCES (UNLESS SPECIFIED)			
∇ = 0		MM	INCH	
∇ = 0	4 PLACES	±	±	
∇ = 0	3 PLACES	±	± 0.01	
∇ = 0	2 PLACES	±	± 0.014	
∇ = 0	1 PLACE	±	± 0.35	
\square = 0	0 PLACES	±	±	
\square = 0	ANGULAR TOL	±	± 0.5°	
\square = 0	DRAFT WHERE APPLICABLE MUST REMAIN WITHIN DIMENSIONS			
\square = 0	THIRD ANGLE PROJECTION			
\square = 0	DRAWING	SERIES		
\square = 0	D-SIZE	43025		
EC NO: 168740		2018/01/03		
DRWN: AZAHIROVIC		2018/06/01		
CHK'D: SSOUSEK		2018/06/01		
APPR: FSMITH		2018/06/01		
INITIAL REVISION:				
DRWN: MKIPPER		2008/01/22		
APPR: FSMITH		2016/08/25		
DOCUMENT NUMBER		DOC TYPE	DOC PART	REVISION
SD-43025-001		PSD	001	A8
MATERIAL NUMBER		CUSTOMER		
SEE CHART		GENERAL MARKET		
SHEET NUMBER		1 OF 1		