



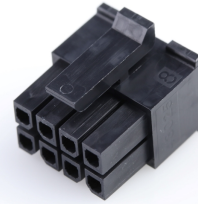
产品编号 : [430250810](#)

Product Description : Micro-Fit 3.0 Receptacle Housing, Dual Row, 8 Circuits, UL 94V-2, Glow-Wire Capable, Black

系列号 : 43025

状态 : Active

Product Category : Connector Housings



文件和资源

图纸

[图纸 430250810_sd.pdf](#)

3D 模型和设计文件

[3D模型 430250810_stp.zip](#)

规格

[应用规格 430250000-AS-000.pdf](#)

[包装规格 PK-43025-001-001.pdf](#)

[产品规格 430450001-PS-K0-000.pdf](#)

[产品规格 430450001-PS-SP-000.pdf](#)

[产品规格 PS-43045-001.pdf](#)

[测试摘要 430450005-TS-000.pdf](#)

[测试摘要 430450006-TS-000.pdf](#)


[测试摘要 TS-43045-001-001.pdf](#)

[测试摘要 TS-43045-003-001.pdf](#)

[测试摘要 TS-46235-001-001.pdf](#)

产物环境合规

合规

GADSL/IMDS	Not Relevant
China RoHS	
EU ELV	Not Relevant
Low-Halogen Status	Not Low-Halogen per IEC 61249-2-21
REACH SVHC	Not Contained per D(2023)3788-DC (14 Jun 2023)
EU RoHS	Compliant per EU 2015/863

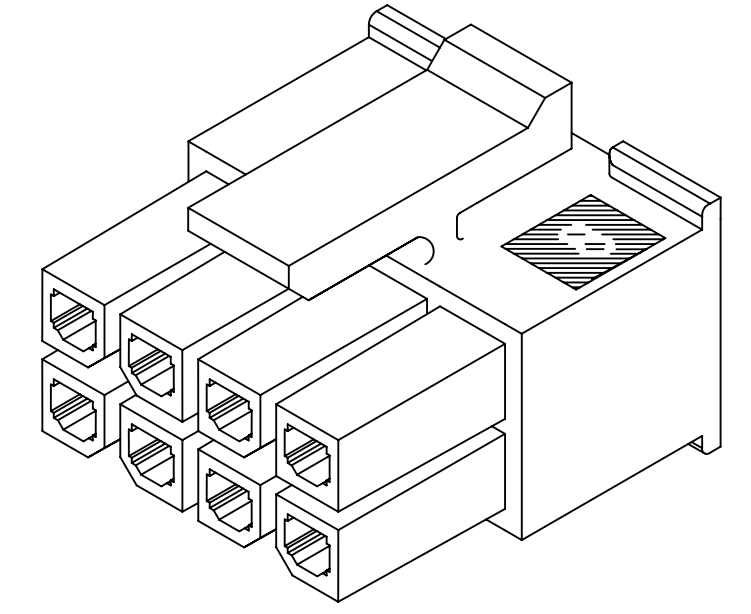
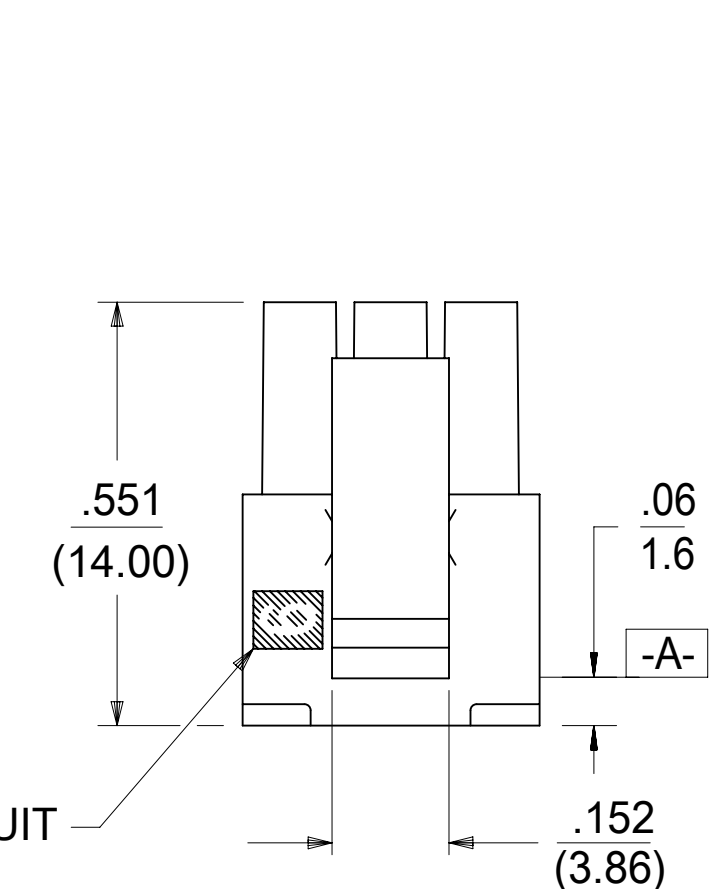
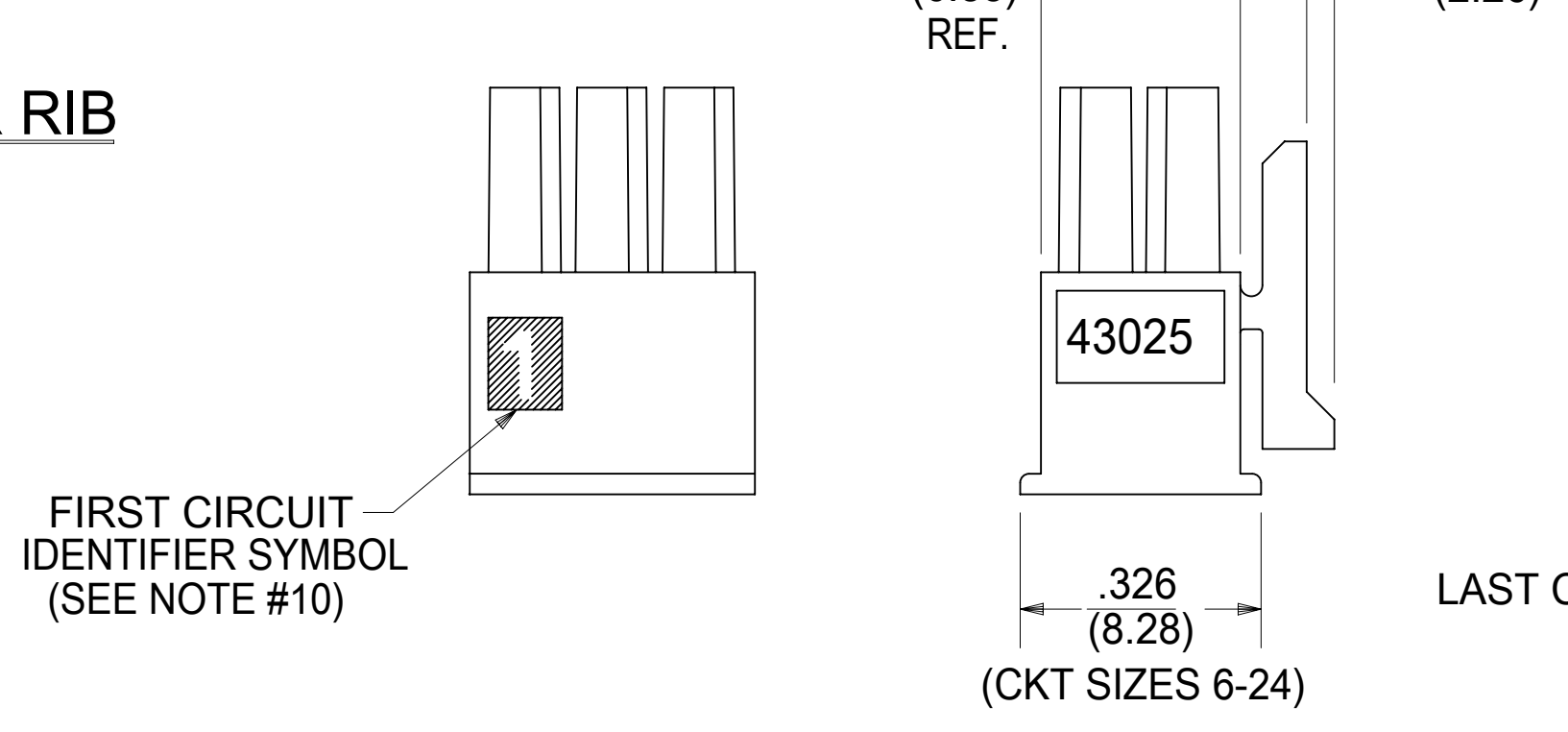
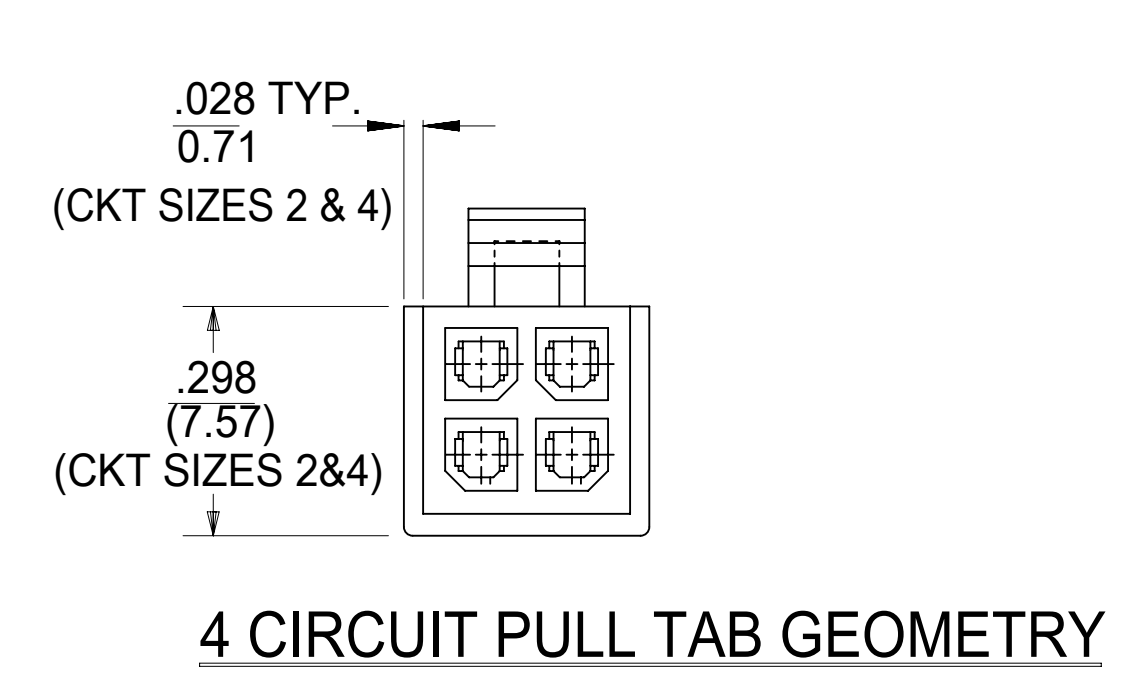
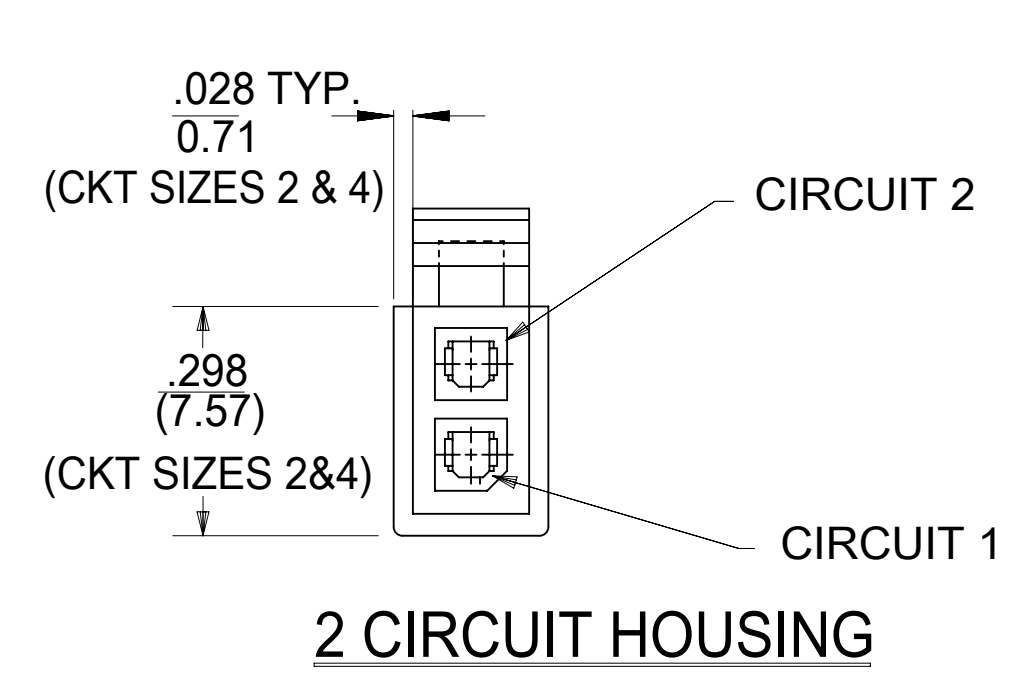
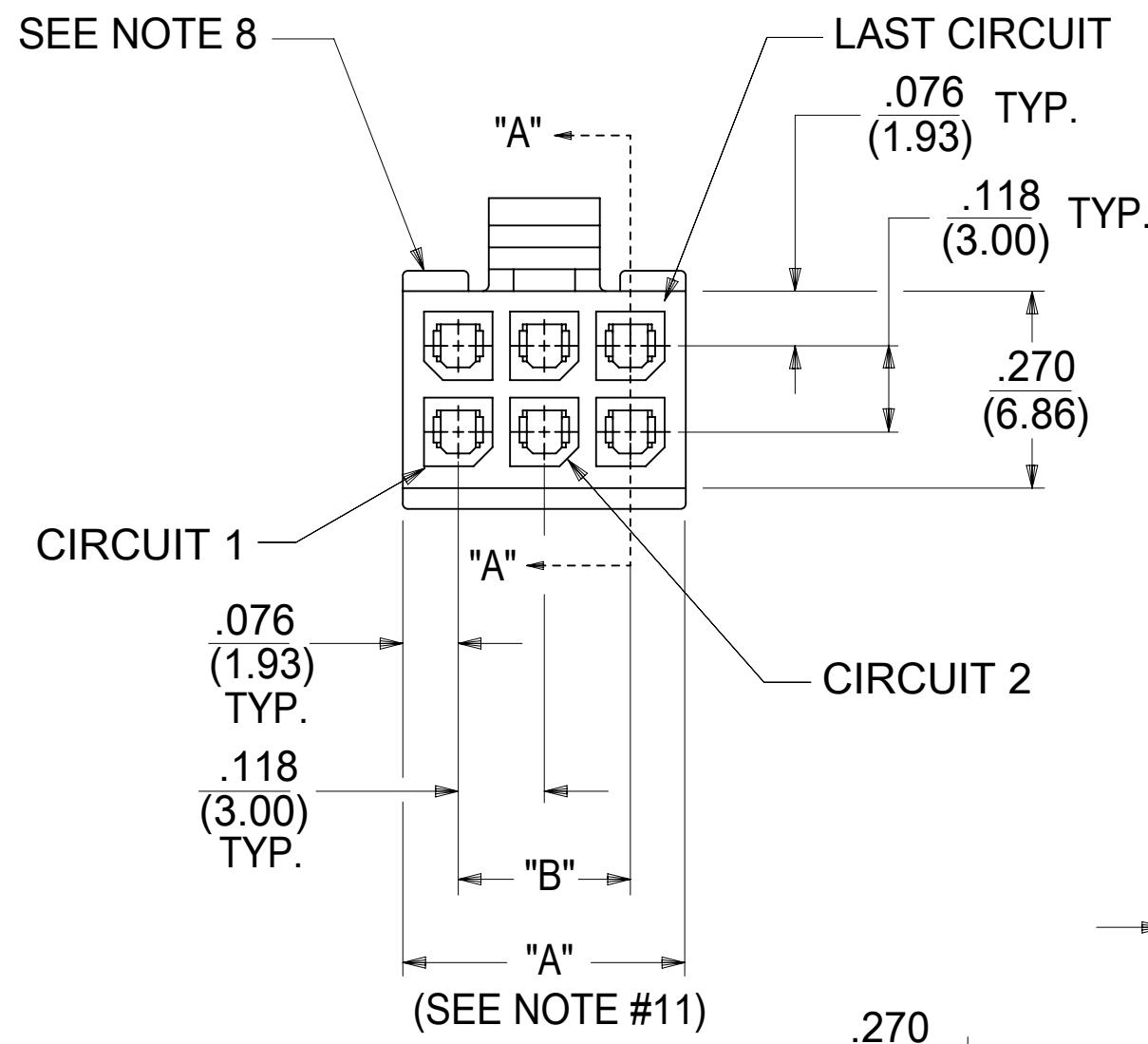
PART CHARACTERISTICS	
NUMBER OF POSITION	ASSEMBLY ITEM NUMBER
02	43025-0210
04	43025-0410
06	43025-0610
08	43025-0810
10	43025-1010
12	43025-1210
14	43025-1410
16	43025-1610
18	43025-1810
20	43025-2010
22	43025-2210
24	43025-2410

CKT. SIZE	DIM. "A" +0.14 -.010 +0.35 -0.25	DIM. "B"
2	.152/(3.86)	N/A
4	.270/(6.85)	.118/(3.00)
6	.388/(9.85)	.236/(6.00)
8	.506/(12.85)	.354/(9.00)
10	.624/(15.85)	.472/(12.00)
12	.742/(18.85)	.591/(15.00)
14	.860/(21.85)	.709/(18.00)
16	.978/(24.85)	.827/(21.00)
18	1.096/(27.85)	.945/(24.00)
20	1.215/(30.85)	1.063/(27.00)
22	1.333/(33.85)	1.181/(30.00)
24	1.451/(36.85)	1.299/(33.00)

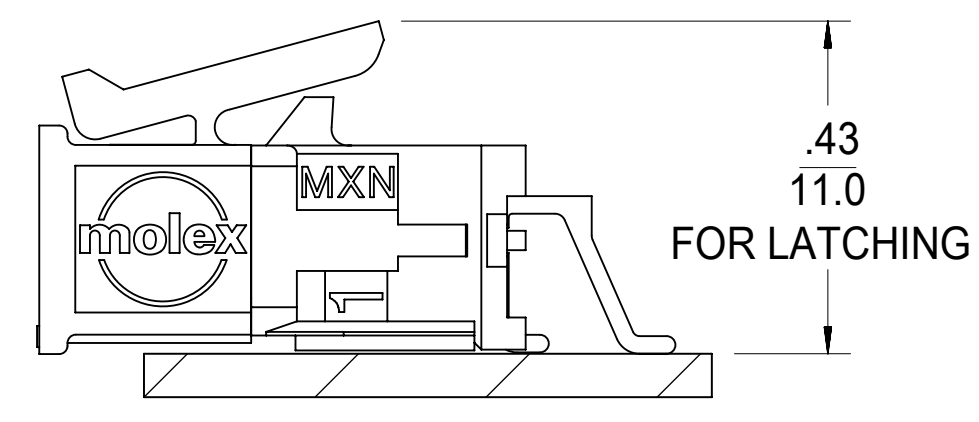
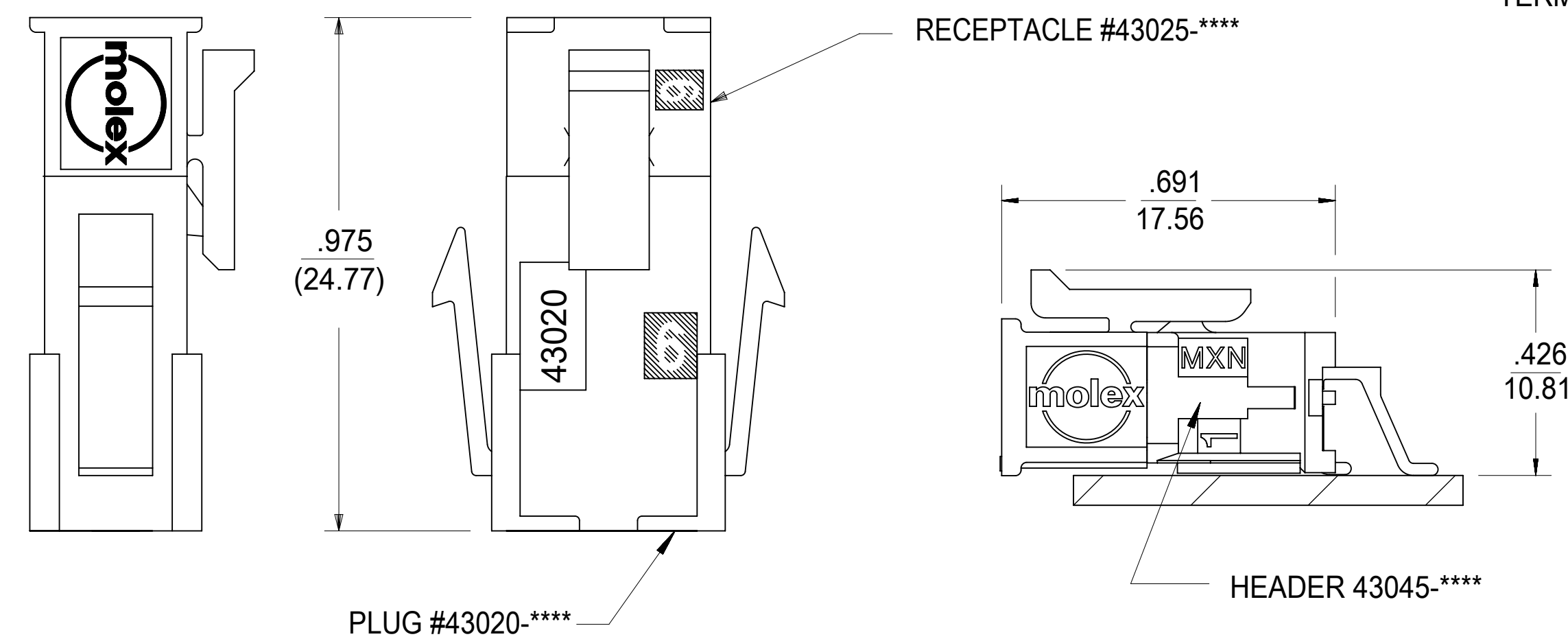
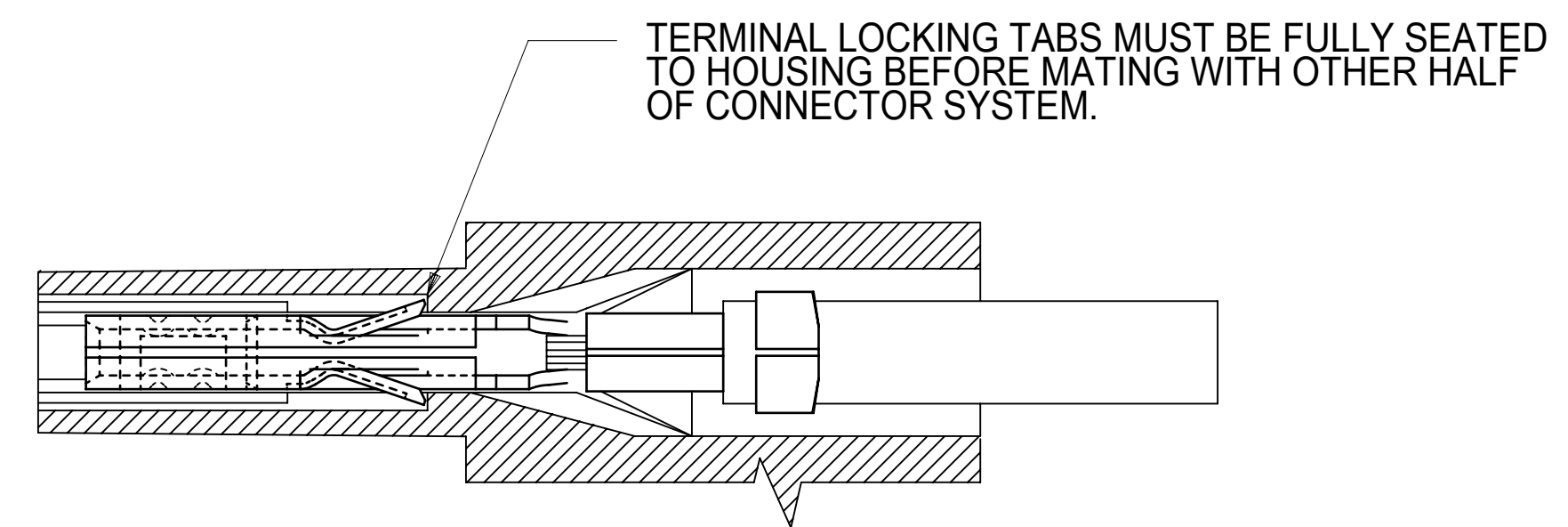
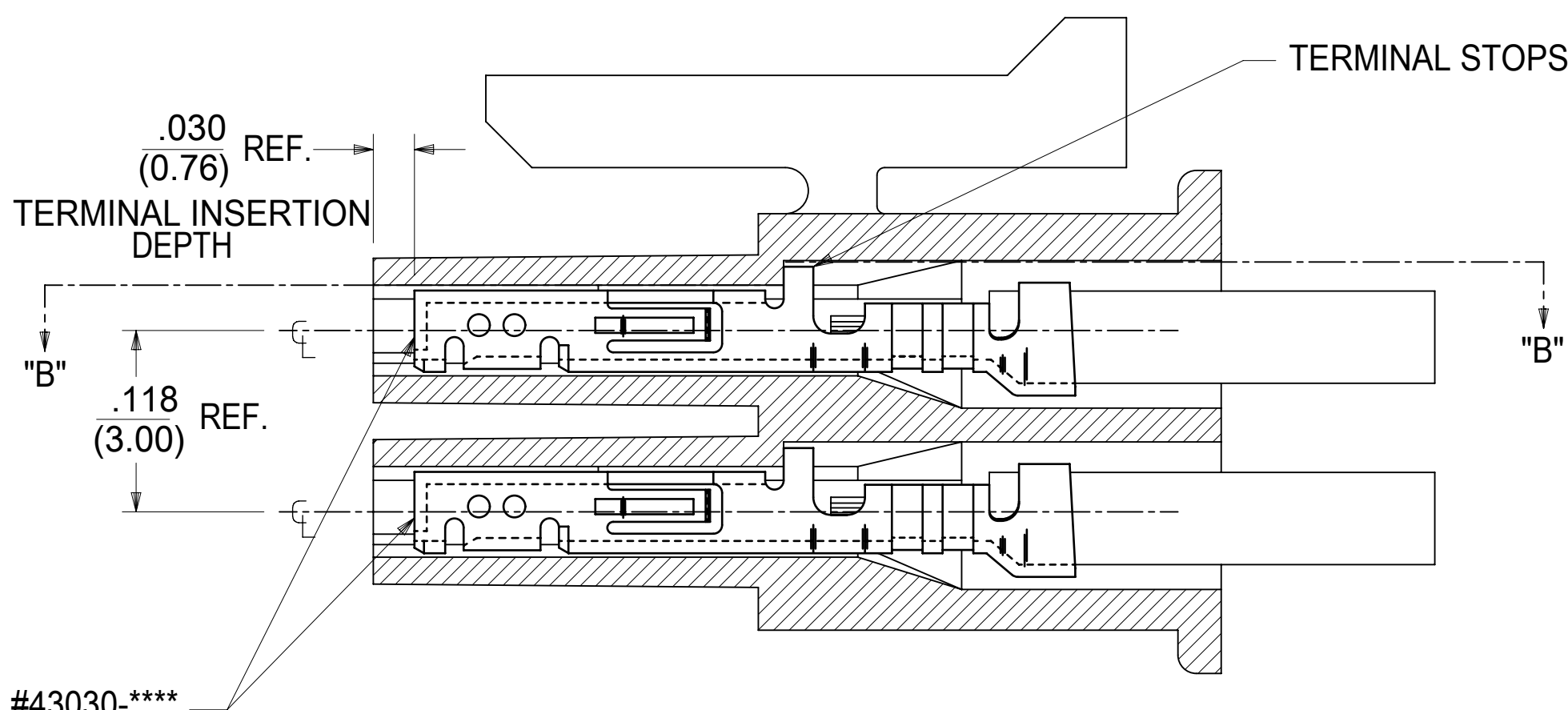
NOTES:

- HOUSING MATERIAL:
UNFILLED NYLON, RATED U.L. 94V-2, IEC 60335-1 GLOW WIRE CAPABLE, COLOR IS BLACK.
* MATERIAL NUMBERS ON THIS DRAWING ARE GLOW WIRE CAPABLE SINCE INCEPTION.
- FINISH: N/A
- PRODUCT SPECIFICATION: PS-43045
- PACKAGING SPECIFICATION: PK-43025-001
- THIS RECEPTACLE MATES WITH 43020, 43045.
- THIS RECEPTACLE TO BE USED WITH MOLEX FEMALE TERMINAL SERIES 43030 OR 46235.
SEE SECTION "A"- "A" FOR TERMINAL ORIENTATION IN HOUSING.
- FOR OVERMOLDING PARAMETERS SEE APPLICATION SPECIFICATION 430250000-AS.
- TOP PULL TABS ARE NOT AVAILABLE ON 2 AND 4 CIRCUIT PARTS.
- MOLEX RECOMMENDS THE USE OF MICRO-FIT TEST PLUG, SERIES NO. 44242-**** WHENEVER TESTING IS PERFORMED. TEST PLUGS MUST NOT BE USED FOR MAKE OR BREAK UNDER LOAD. MOLEX DOES NOT RECOMMEND USING STANDARD MATING COMPONENTS FOR HARNESS TESTING PURPOSES.
- HOUSINGS HAVE EITHER AN IDENTIFIER RIB OR ENGRAVED "1" SYMBOL TO INDICATE CIRCUIT #1. IDENTIFIER TYPE IS TOOL DEPENDENT AND NOT SELECTABLE.
- DIMENSION 'A' MEASURED AT DATUM -A-
- THIS PART CONFORMS TO CLASS 'B' REQUIREMENTS OF COSMETIC SPECIFICATION PS-45499-002, WITH THE EXCEPTION OF FLASH, DISCOLORATION, AND SINK MEET CLASS 'C' REQUIREMENTS.
- HOUSINGS MAY HAVE DISCOLORATION AREAS THAT DO NOT AFFECT FUNCTIONALITY. DISCOLORATION AREAS MAY EXTEND ACROSS THE ENTIRE LENGTH OF THE FACES OF THE PART.
- TEXT ON PART IS FOR REFERENCE ONLY. TEXT AND TEXT LOCATION MAY VARY DEPENDING ON PART NUMBER AND/OR TOOL.

HOUSING SHOWN WITH FIRST CIRCUIT IDENTIFIER RIB (SEE NOTE #10)



RECEPTACLE ISO VIEW (8 CIRCUIT SHOWN) (SEE NOTE 9 FOR TESTING)



MATED MICRO-FIT CONNECTOR

SYMBOLS	THIS DRAWING CONTAINS INFORMATION THAT IS PROPRIETARY TO MOLEX ELECTRONIC TECHNOLOGIES, LLC AND SHOULD NOT BE USED WITHOUT WRITTEN PERMISSION		CURRENT REV DESC: UPDATE NOTE 7	
	DIMENSION UNITS	SCALE		
▽ = 0	IN/MM	NTS		
▽ = 0	GENERAL TOLERANCES (UNLESS SPECIFIED)			
▽ = 0		MM	INCH	
▽ = 0	4 PLACES	±	±	EC NO: 168740
▽ = 0	3 PLACES	±	± 0.01	DRWN: AZAHIROVIC 2018/01/03
▽ = 0	2 PLACES	±	± 0.014	CHK'D: SSOUSEK 2018/06/01
▽ = 0	1 PLACE	±	± 0.35	APPR: FSMITH 2018/06/01
⊠ = 0	0 PLACES	±	±	INITIAL REVISION:
■ = 0	ANGULAR TOL		± 0.5 °	DRWN: JDFOX 2015/02/09
▽ = 0	DRAFT WHERE APPLICABLE MUST REMAIN WITHIN DIMENSIONS			APPR: BPISZCZOR 2016/06/10
	THIRD ANGLE PROJECTION	DRAWING	SERIES	MATERIAL NUMBER
		D-SIZE	43025	SEE CHART
		CUSTOMER		GENERAL MARKET
		SHEET NUMBER		1 OF 1

molex

MICRO-FIT (3.0) RECEPTACLE, GLOW WIRE DUAL ROW / 2 THRU 24 CIRCUIT

PRODUCT CUSTOMER DRAWING

DOCUMENT NUMBER: SD-43025-002 DOC TYPE: PSD DOC PART: 001 REVISION: A1

多部分产品合规性声明

- Eu RoHS
- REACH SVHC
- Low-Halogen

多部分行业合规性文件

- IPC 1752A Class C
- IPC 1752A Class D
- Molex Product Compliance Declaration
- IEC-62474
- chemSHERPA (xml)

欧盟 RoHS 合格证书

产品详情

常规

状态	活动
类别	Connector Housings
系列	43025
说明	Micro-Fit 3.0 Receptacle Housing, Dual Row, 8 Circuits, UL 94V-2, Glow-Wire Capable, Black
应用	Power, Wire-to-Board, Wire-to-Wire

个评论	<p>This Molex product is manufactured from material that has the following ratings, tested by independent agencies: a) A Glow Wire Ignition Temperature (GWIT) of at least 775 deg C per IEC 60695-2-13. b) A Glow Wire Flammability Index (GWFI) above 850 deg C per IEC 60695-2-12 and hence complies with the requirements set out in the International Standard IEC 60335-1 5th edition - household and similar electrical appliances - safety, section 30 Resistance to heat and fire. The customers using this product must determine its suitability for use in their particular application through testing or other acceptable means as described in end-product glow-wire flammability test standard IEC 60695-2-11 and any applicable product end-use standard(s). If it is determined during the customer's evaluation of suitability, that higher performance is required, please contact Molex for possible product options.</p>
产品系列	Micro-Fit Connector System
产品名称	Micro-Fit 3.0
UPC	889056719988

机构

CSA	LR19980
UL	E29179

物理

电路数 (最多)	8
颜色-树脂	黑色
阻燃性	94V-2
性别	Receptacle
符合灼热丝规范	是
插接极性	无
锁定插接部位	是
材料 - 树脂	Nylon
净重	0.783/g

行数	2
包装形式	Bag
面板安装式	否
间距 - 插配接口	3.00mm
有极性的插配件	是
可堆叠的	否
运行温度范围	-40° to +125° C

可配插/可连接使用的产品

可配插部件

描述	产品编号
Micro-Fit 3.0 Dual Row Plug Housings	<u>43020</u>
Micro-Fit 3.0 Dual Row Headers	<u>43045</u>
Micro-Fit 3.0 Dual Row Test Plugs	<u>44242</u>
Micro-Fit 3.0 Male-to-Micro-Fit 3.0 Male Off-the-Shelf (OTS) Cable Assemblies	<u>214757</u>
Micro-Fit 3.0 Male-to-Pigtail Off-the-Shelf (OTS) Cable Assemblies	<u>214758</u>

可连接使用部件

描述	产品编号
Pre-Crimped Lead Micro-Fit 3.0 Female-to-Micro-Fit 3.0 Female, Tin (Sn) Plating, 150.00mm Length, 20 AWG, Black	<u>/content/molex/molex-dot-com/cn/zh/products/product-page.html/797580002.html</u>
Pre-Crimped Lead Micro-Fit 3.0 Female-to-Micro-Fit 3.0 Female, Gold (Au) Plating, 150.00mm Length, 20 AWG, Black	<u>/content/molex/molex-dot-com/cn/zh/products/product-page.html/797580004.html</u>
Pre-Crimped Lead Micro-Fit 3.0 Female-to-Micro-Fit 3.0 Female, Tin (Sn) Plating, 300.00mm Length, 20 AWG, Black	<u>/content/molex/molex-dot-com/cn/zh/products/product-page.html/797580010.html</u>
Pre-Crimped Lead Micro-Fit 3.0 Female-to-Micro-Fit 3.0 Female, Gold (Au) Plating, 300.00mm Length, 20 AWG, Black	<u>/content/molex/molex-dot-com/cn/zh/products/product-page.html/797580012.html</u>

Micro-Fit 3.0 Female Crimp Terminals	<u>43030</u>
Micro-Fit 3.0 Female Crimp Terminals with Lubricant	<u>45773</u>
Micro-Fit Reduced Mating Force Female Crimp Terminals	<u>46235</u>
Pre-Crimped Lead Micro-Fit 3.0 Female-to-Micro-Fit 3.0 Female	<u>214760</u>
Pre-Crimped Lead Micro-Fit 3.0 Female-to-Pigtail	<u>214761</u>

This document was generated on Feb 27, 2024