



产品编号 : 430251010

系列号 : 43025

Product Category : Connector Housings

Product Description : Micro-Fit 3.0
Receptacle Housing, Dual Row, 10 Circuits,
UL 94V-2, Glow-Wire Capable, Black

状态 : Active

文件和资源

图纸

图纸 430251010_sd.pdf

3D 模型和设计文件

3D模型 430251010_stp.zip

规格

应用规格 430250000-AS-000.pdf

包装规格 PK-43025-001-001.pdf

产品规格 430450001-PS-K0-000.pdf

产品规格 430450001-PS-SP-000.pdf

产品规格 PS-43045-001.pdf

测试摘要 430450005-TS-000.pdf

测试摘要 430450006-TS-000.pdf


测试摘要 TS-43045-001-001.pdf

测试摘要 TS-43045-003-001.pdf

测试摘要 TS-46235-001-001.pdf

产物环境合规

合规

GADSL/IMDS	Not Relevant
China RoHS	
EU ELV	Not Relevant
Low-Halogen Status	Not Low-Halogen per IEC 61249-2-21
REACH SVHC	Not Contained per D(2023)8585-DC (23 Jan 2024)
EU RoHS	Compliant per EU 2015/863

多部分产品合规性声明

- Eu RoHS

- REACH SVHC
- Low-Halogen
- IPC 1752A Class C
- IPC 1752A Class D
- Molex Product Compliance Declaration
- IEC-62474
- chemSHERPA (xml)

欧盟 RoHS 合格证书

产品详情

常规

状态	活动
类别	Connector Housings
系列	43025
说明	Micro-Fit 3.0 Receptacle Housing, Dual Row, 10 Circuits, UL 94V-2, Glow-Wire Capable, Black
应用	Power, Wire-to-Board, Wire-to-Wire
个评论	<p>This Molex product is manufactured from material that has the following ratings, tested by independent agencies: a) A Glow Wire Ignition Temperature (GWIT) of at least 775 deg C per IEC 60695-2-13. b) A Glow Wire Flammability Index (GWFI) above 850 deg C per IEC 60695-2-12 and hence complies with the requirements set out in the International Standard IEC 60335-1 5th edition - household and similar electrical appliances - safety, section 30 Resistance to heat and fire. The customers using this product must determine its suitability for use in their particular application through testing or other acceptable means as described in end-product glow-wire flammability test standard IEC 60695-2-11 and any applicable product end-use standard(s). If it is determined during the customer's evaluation of suitability, that higher performance is required, please contact Molex for possible product options.</p>

产品系列	Micro-Fit Connector System
产品名称	Micro-Fit 3.0
UPC	889056719995

机构

CSA	LR19980
UL	E29179

物理

电路数（最多）	10
颜色-树脂	黑色
阻燃性	94V-2
性别	Receptacle
符合灼热丝规范	是
插接极性	无
锁定插接部位	是
材料 - 树脂	Nylon
净重	0.904/g
行数	2
包装形式	Bag
面板安装式	否
间距 - 插配接口	3.00mm
有极性的插配件	是
可堆叠的	否
运行温度范围	-40° to +125° C

可配插/可连接使用的产品

可配插部件

描述	产品编号
Micro-Fit 3.0 Dual Row Plug Housings	<u>43020</u>
Micro-Fit 3.0 Dual Row Headers	<u>43045</u>
Micro-Fit 3.0 Dual Row Test Plugs	<u>44242</u>

Micro-Fit 3.0 Male-to-Micro-Fit 3.0 Male Off-the-Shelf (OTS) Cable Assemblies	<u>214757</u>
Micro-Fit 3.0 Male-to-Pigtail Off-the-Shelf (OTS) Cable Assemblies	<u>214758</u>

可连接使用部件

描述	产品编号
Pre-Crimped Lead Micro-Fit 3.0 Female-to-Micro-Fit 3.0 Female, Tin (Sn) Plating, 150.00mm Length, 20 AWG, Black	/content/molex/molex-dot-com/cn/zh/products/product-page.html/797580002.html
Pre-Crimped Lead Micro-Fit 3.0 Female-to-Micro-Fit 3.0 Female, Gold (Au) Plating, 150.00mm Length, 20 AWG, Black	/content/molex/molex-dot-com/cn/zh/products/product-page.html/797580004.html
Pre-Crimped Lead Micro-Fit 3.0 Female-to-Micro-Fit 3.0 Female, Tin (Sn) Plating, 300.00mm Length, 20 AWG, Black	/content/molex/molex-dot-com/cn/zh/products/product-page.html/797580010.html
Pre-Crimped Lead Micro-Fit 3.0 Female-to-Micro-Fit 3.0 Female, Gold (Au) Plating, 300.00mm Length, 20 AWG, Black	/content/molex/molex-dot-com/cn/zh/products/product-page.html/797580012.html
Micro-Fit 3.0 Female Crimp Terminals	<u>43030</u>
Micro-Fit 3.0 Female Crimp Terminals with Lubricant	<u>45773</u>
Micro-Fit Reduced Mating Force Female Crimp Terminals	<u>46235</u>
Pre-Crimped Lead Micro-Fit 3.0 Female-to-Micro-Fit 3.0 Female	<u>214760</u>
Pre-Crimped Lead Micro-Fit 3.0 Female-to-Pigtail	<u>214761</u>

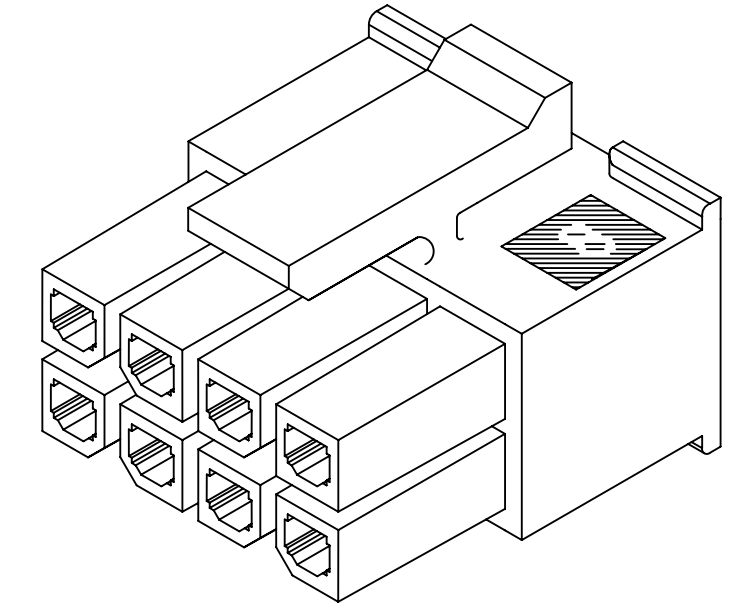
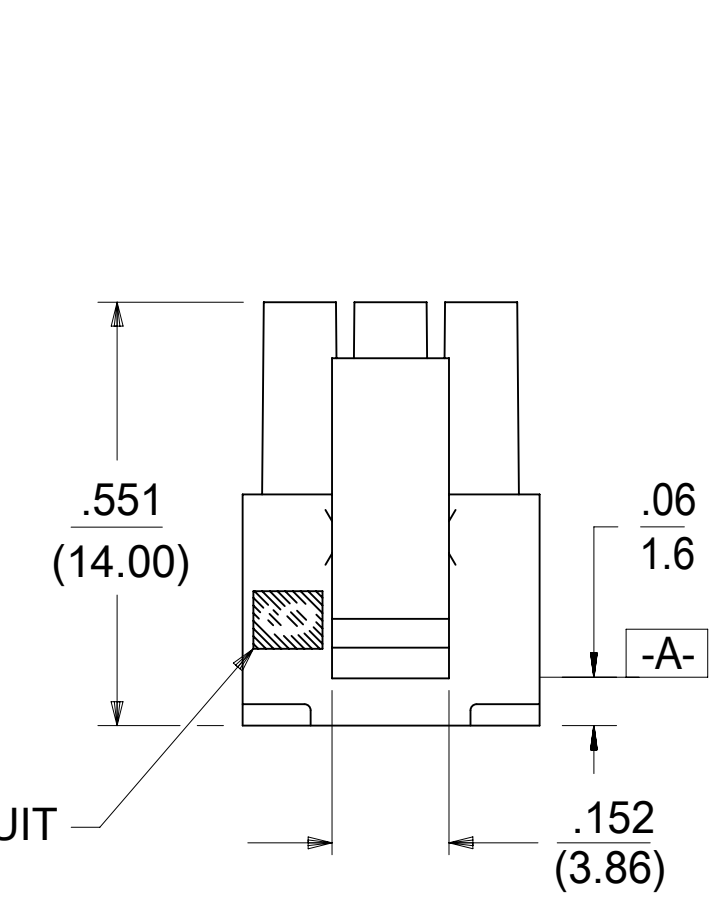
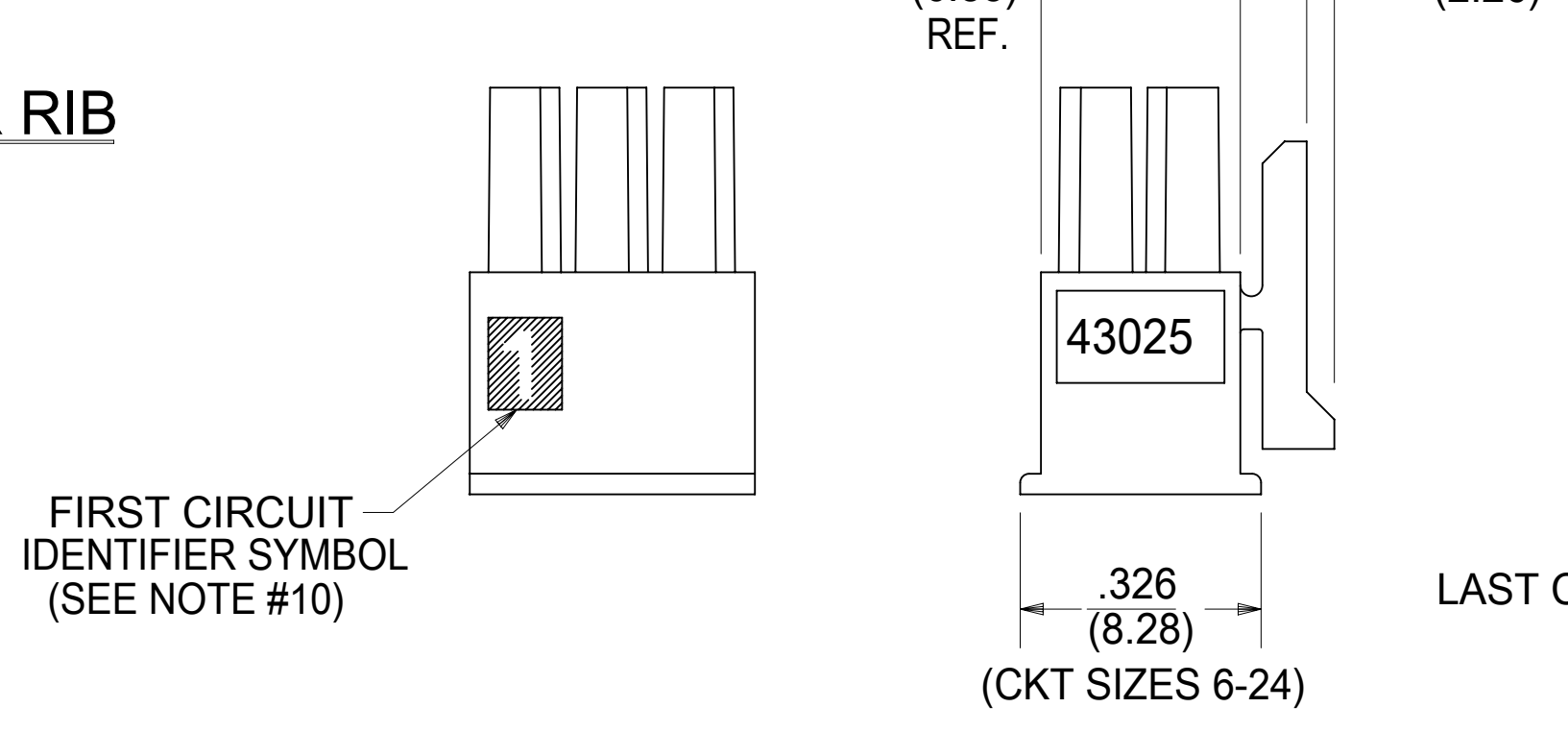
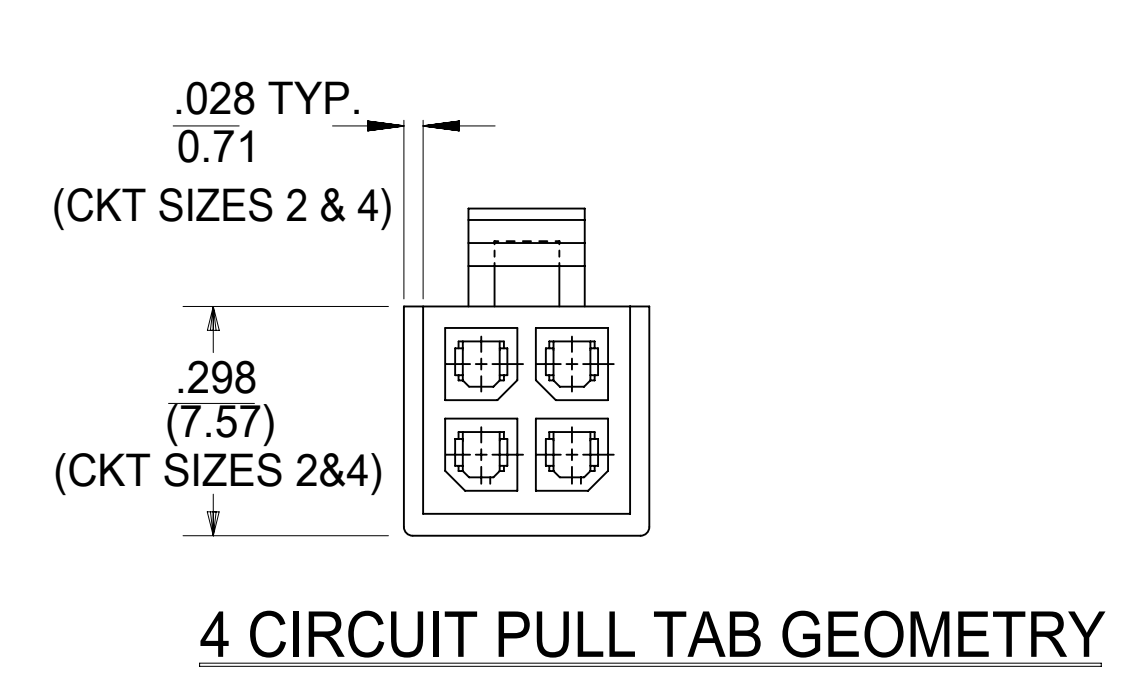
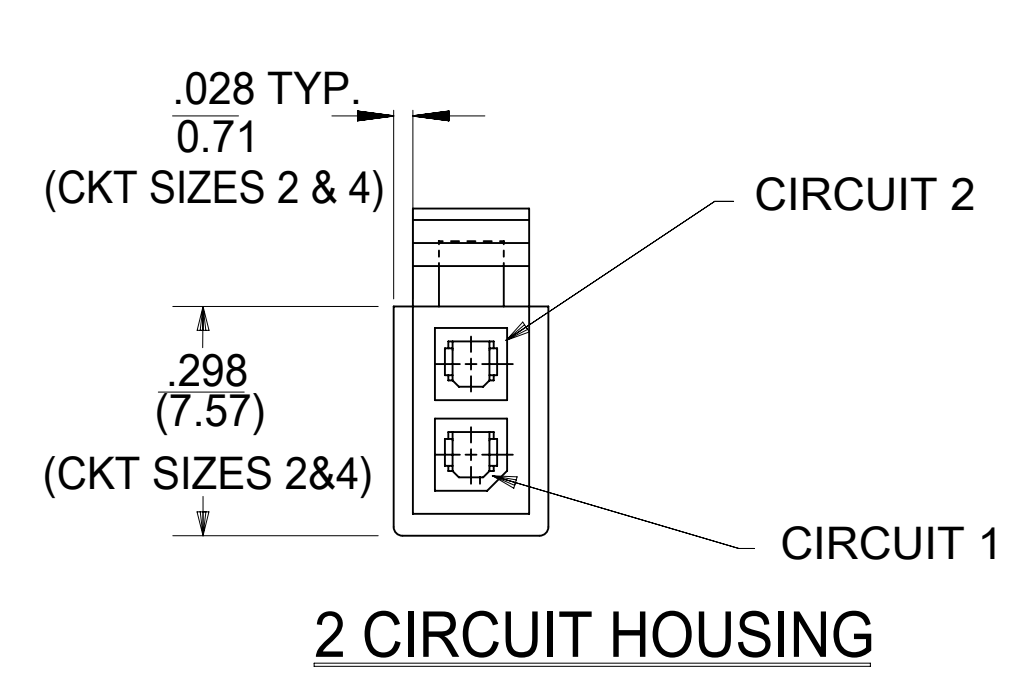
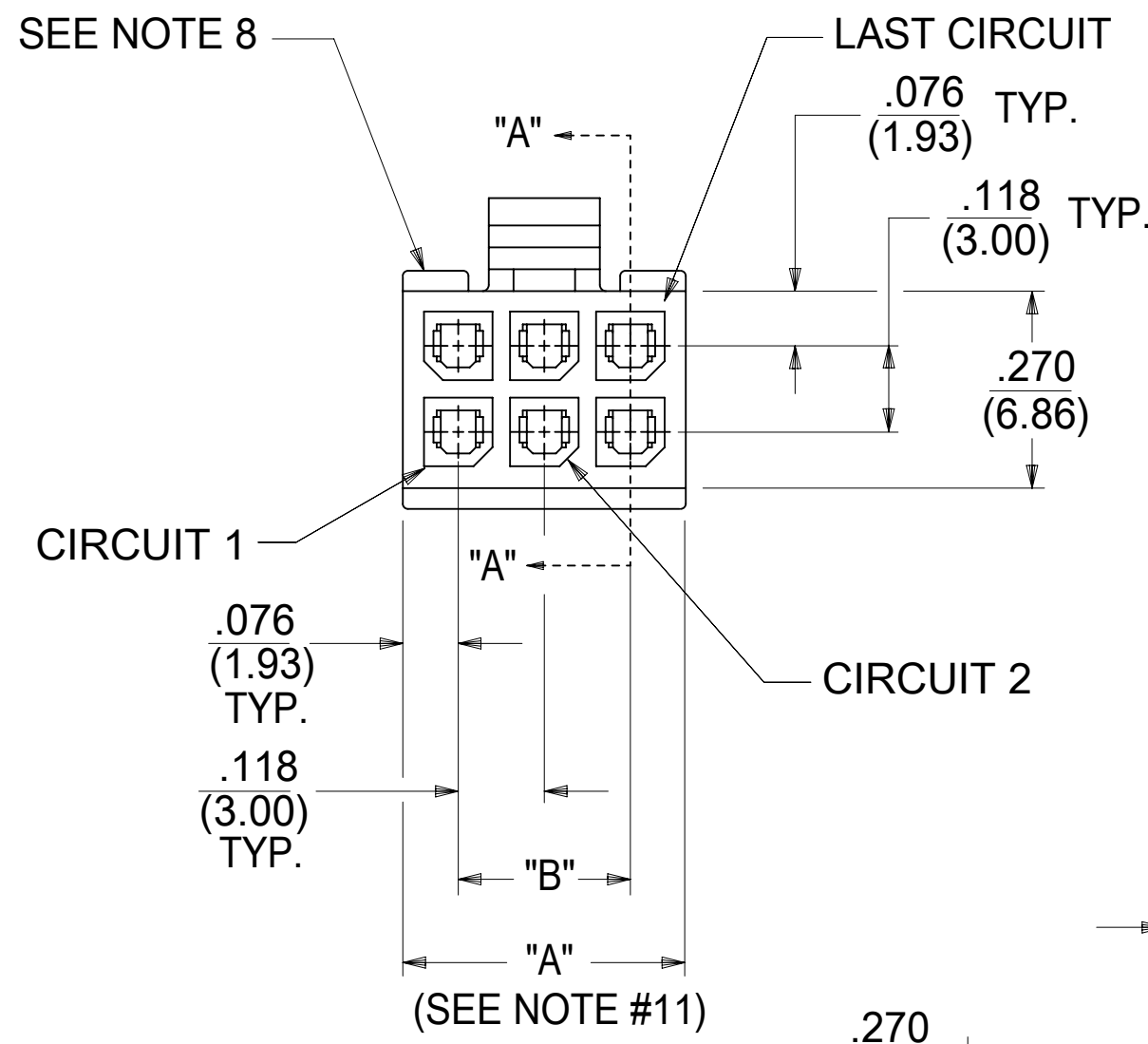
PART CHARACTERISTICS	
NUMBER OF POSITION	ASSEMBLY ITEM NUMBER
02	43025-0210
04	43025-0410
06	43025-0610
08	43025-0810
10	43025-1010
12	43025-1210
14	43025-1410
16	43025-1610
18	43025-1810
20	43025-2010
22	43025-2210
24	43025-2410

CKT. SIZE	DIM. "A" +0.014 -0.010 +0.35 -0.25	DIM. "B"
2	.152/(3.86)	N/A
4	.270/(6.85)	.118/(3.00)
6	.388/(9.85)	.236/(6.00)
8	.506/(12.85)	.354/(9.00)
10	.624/(15.85)	.472/(12.00)
12	.742/(18.85)	.591/(15.00)
14	.860/(21.85)	.709/(18.00)
16	.978/(24.85)	.827/(21.00)
18	1.096/(27.85)	.945/(24.00)
20	1.215/(30.85)	1.063/(27.00)
22	1.333/(33.85)	1.181/(30.00)
24	1.451/(36.85)	1.299/(33.00)

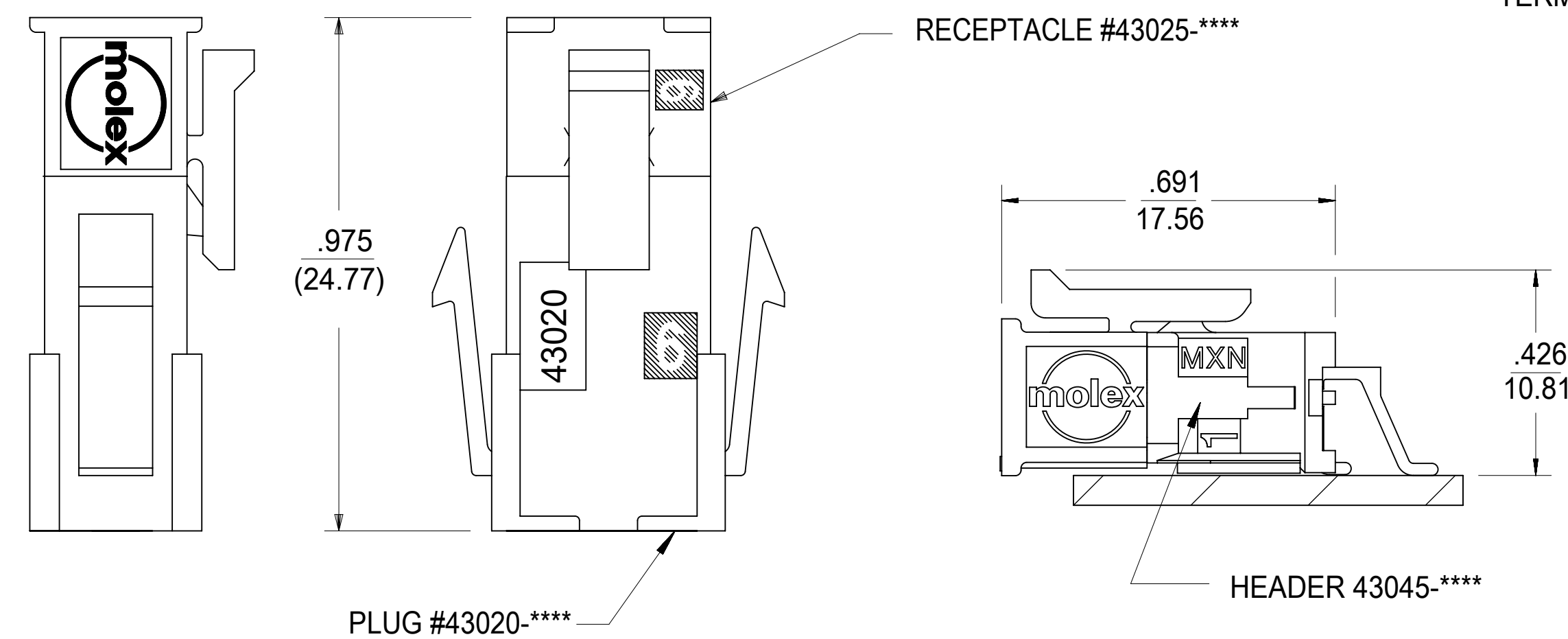
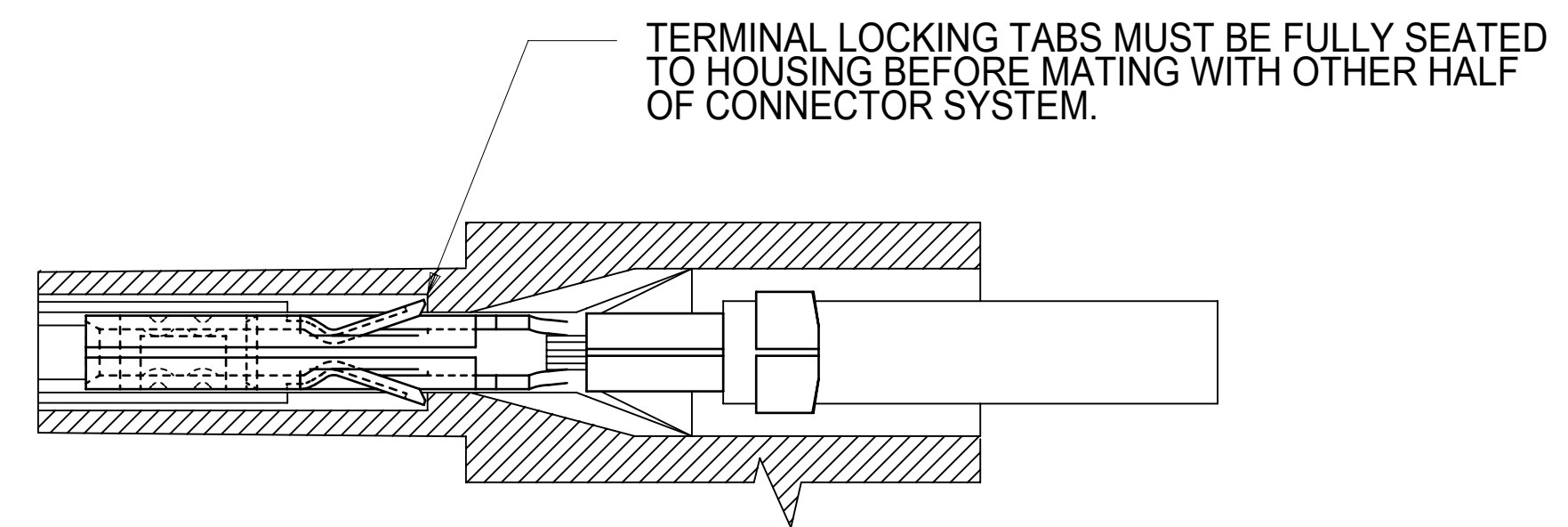
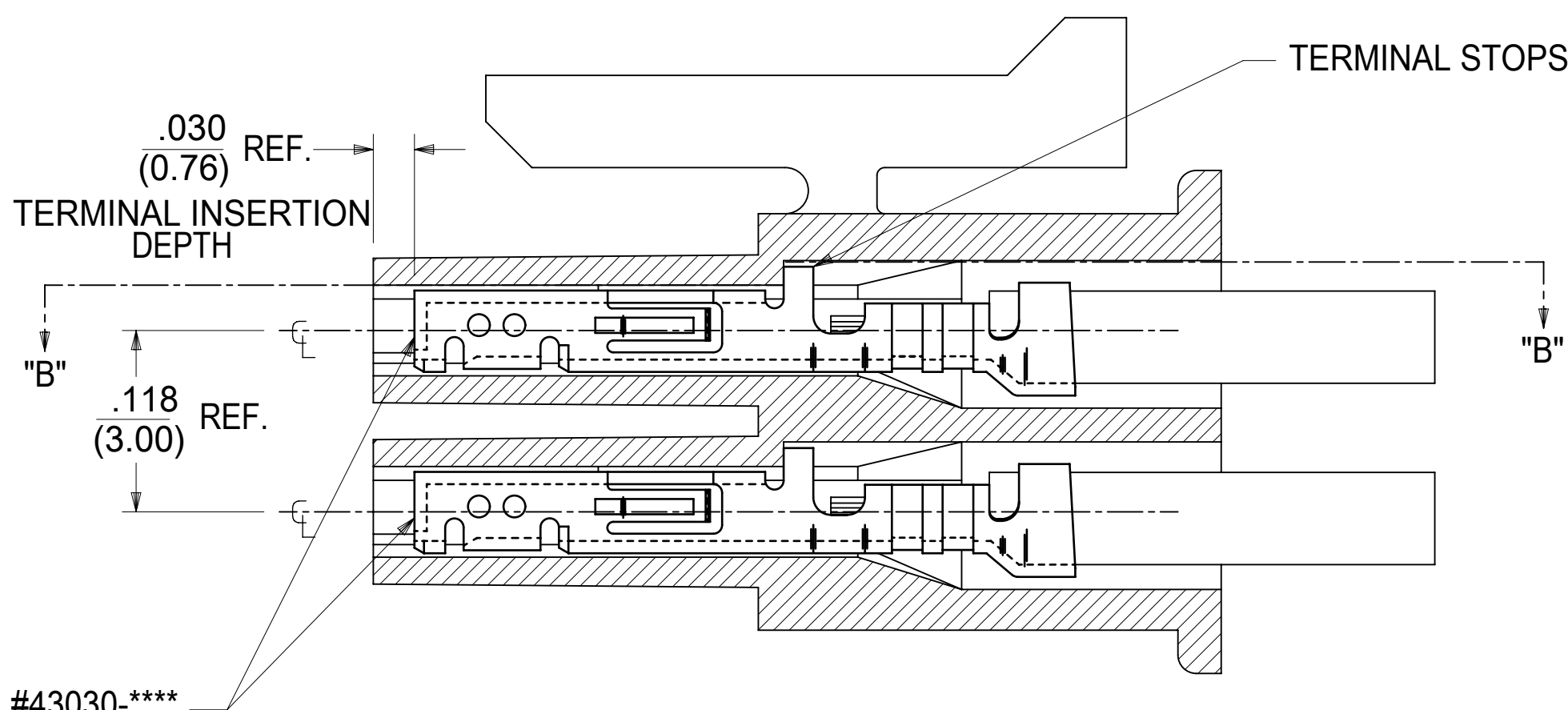
NOTES:

- HOUSING MATERIAL:
UNFILLED NYLON, RATED U.L. 94V-2, IEC 60335-1 GLOW WIRE CAPABLE, COLOR IS BLACK.
* MATERIAL NUMBERS ON THIS DRAWING ARE GLOW WIRE CAPABLE SINCE INCEPTION.
- FINISH: N/A
- PRODUCT SPECIFICATION: PS-43045
- PACKAGING SPECIFICATION: PK-43025-001
- THIS RECEPTACLE MATES WITH 43020, 43045.
- THIS RECEPTACLE TO BE USED WITH MOLEX FEMALE TERMINAL SERIES 43030 OR 46235.
SEE SECTION "A"- "A" FOR TERMINAL ORIENTATION IN HOUSING.
- FOR OVERMOLDING PARAMETERS SEE APPLICATION SPECIFICATION 430250000-AS.
- TOP PULL TABS ARE NOT AVAILABLE ON 2 AND 4 CIRCUIT PARTS.
- MOLEX RECOMMENDS THE USE OF MICRO-FIT TEST PLUG, SERIES NO. 44242-**** WHENEVER TESTING IS PERFORMED. TEST PLUGS MUST NOT BE USED FOR MAKE OR BREAK UNDER LOAD. MOLEX DOES NOT RECOMMEND USING STANDARD MATING COMPONENTS FOR HARNESS TESTING PURPOSES.
- HOUSINGS HAVE EITHER AN IDENTIFIER RIB OR ENGRAVED "1" SYMBOL TO INDICATE CIRCUIT #1. IDENTIFIER TYPE IS TOOL DEPENDENT AND NOT SELECTABLE.
- DIMENSION 'A' MEASURED AT DATUM -A-
- THIS PART CONFORMS TO CLASS 'B' REQUIREMENTS OF COSMETIC SPECIFICATION PS-45499-002, WITH THE EXCEPTION OF FLASH, DISCOLORATION, AND SINK MEET CLASS "C" REQUIREMENTS.
- HOUSINGS MAY HAVE DISCOLORATION AREAS THAT DO NOT AFFECT FUNCTIONALITY. DISCOLORATION AREAS MAY EXTEND ACROSS THE ENTIRE LENGTH OF THE FACES OF THE PART.
- TEXT ON PART IS FOR REFERENCE ONLY. TEXT AND TEXT LOCATION MAY VARY DEPENDING ON PART NUMBER AND/OR TOOL.

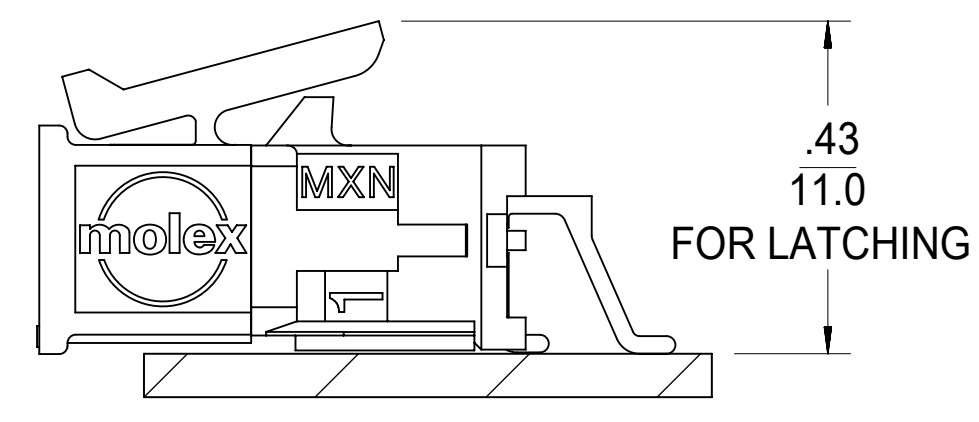
HOUSING SHOWN WITH
FIRST CIRCUIT IDENTIFIER RIB
(SEE NOTE #10)



RECEPTACLE
ISO VIEW
(8 CIRCUIT SHOWN)
(SEE NOTE 9 FOR TESTING)



MATED MICRO-FIT CONNECTOR



SYMBOLS	THIS DRAWING CONTAINS INFORMATION THAT IS PROPRIETARY TO MOLEX ELECTRONIC TECHNOLOGIES, LLC AND SHOULD NOT BE USED WITHOUT WRITTEN PERMISSION		CURRENT REV DESC: UPDATE NOTE 7	
	DIMENSION UNITS	SCALE		
▽ = 0	IN/MM	NTS		
▽ = 0	GENERAL TOLERANCES (UNLESS SPECIFIED)			
▽ = 0		MM	INCH	
▽ = 0	4 PLACES	±	±	EC NO: 168740
▽ = 0	3 PLACES	±	± 0.01	DRWN: AZAHIROVIC 2018/01/03
▽ = 0	2 PLACES	±	0.25 ± 0.014	CHK'D: SSOUSEK 2018/06/01
▽ = 0	1 PLACE	±	0.35 ±	APPR: FSMITH 2018/06/01
▽ = 0	0 PLACES	±	±	INITIAL REVISION:
▽ = 0	ANGULAR TOL		± 0.5 °	DRWN: JDFOX 2015/02/09
▽ = 0	DRAFT WHERE APPLICABLE MUST REMAIN WITHIN DIMENSIONS			APPR: BPISZCZOR 2016/06/10
▽ = 0	THIRD ANGLE PROJECTION		DRAWING	SERIES
▽ = 0	D-DRAWING		D-SIZE	43025
DOCUMENT NUMBER		DOC TYPE	DOC PART	REVISION
SD-43025-002		PSD	001	A1
MATERIAL NUMBER		CUSTOMER		SHEET NUMBER
SEE CHART		GENERAL MARKET		1 OF 1

DOCUMENT STATUS	P1	RELEASE DATE	2018/06/01	21:26:25
-----------------	----	--------------	------------	----------