



产品编号 : [430251200](#)

Product Description : Micro-Fit 3.0
Receptacle Housing, Dual Row, 12 Circuits,
UL 94V-0, Black

系列号 : 43025

状态 : Active

Product Category : Connector Housings



文件和资源

图纸

[图纸 430251200_sd.pdf](#)

3D 模型和设计文件

[3D模型 430251200_stp.zip](#)

规格

[应用规格 430250000-AS-000.pdf](#)

[包装规格 PK-43025-001-001.pdf](#)

[产品规格 430450001-PS-K0-000.pdf](#)

[产品规格 430450001-PS-SP-000.pdf](#)

[产品规格 PS-43045-001.pdf](#)

[测试摘要 430450005-TS-000.pdf](#)

[测试摘要 TS-43045-001-001.pdf](#)

[测试摘要 TS-46235-001-001.pdf](#)

产物环境合规

合规

GADSL/IMDS	Not Relevant
China RoHS	
EU ELV	Compliant per 2000/53/EC
Low-Halogen Status	Not Low-Halogen per IEC 61249-2-21
REACH SVHC	Not Contained per D(2023)8585-DC (23 Jan 2024)
EU RoHS	Compliant per EU 2015/863

[多部分产品合规性声明](#)

- Eu RoHS

- REACH SVHC

- Low-Halogen

多部分行业合规性文件

- IPC 1752A Class C

- IPC 1752A Class D

- Molex Product Compliance Declaration

- IEC-62474

- chemSHERPA (xml)

欧盟 RoHS 合格证书

产品详情

常规

状态	活动
类别	Connector Housings
系列	43025
说明	Micro-Fit 3.0 Receptacle Housing, Dual Row, 12 Circuits, UL 94V-0, Black
应用	Power, Wire-to-Board, Wire-to-Wire
产品系列	Micro-Fit Connector System
产品名称	Micro-Fit 3.0
UPC	800753683648

机构

CSA	LR19980
UL	E29179

物理

电路数（最多）	12
颜色-树脂	黑色
阻燃性	94V-0
性别	Receptacle
符合灼热丝规范	否
插接极性	无
锁定插接部位	是
材料 - 树脂	Polyester

净重	1.282/g
行数	2
包装形式	Bag
面板安装式	否
间距 - 插配接口	3.00mm
有极性的插配件	是
可堆叠的	否
运行温度范围	-40° to +105° C

进程

无铅	不适用
----	-----

可配插/可连接使用的产品

可配插部件

描述	产品编号
Micro-Fit 3.0 Dual Row Plug Housings	<u>43020</u>
Micro-Fit 3.0 Dual Row Headers	<u>43045</u>
Micro-Fit 3.0 Dual Row Test Plugs	<u>44242</u>

可连接使用部件

描述	产品编号
Pre-Crimped Lead Micro-Fit 3.0 Female-to-Micro-Fit 3.0 Female, Tin (Sn) Plating, 150.00mm Length, 20 AWG, Black	<u>/content/molex/molex-dot-com/cn/zh/products/product-page.html/797580002.html</u>
Pre-Crimped Lead Micro-Fit 3.0 Female-to-Micro-Fit 3.0 Female, Gold (Au) Plating, 150.00mm Length, 20 AWG, Black	<u>/content/molex/molex-dot-com/cn/zh/products/product-page.html/797580004.html</u>
Pre-Crimped Lead Micro-Fit 3.0 Female-to-Micro-Fit 3.0 Female, Tin (Sn) Plating, 300.00mm Length, 20 AWG, Black	<u>/content/molex/molex-dot-com/cn/zh/products/product-page.html/797580010.html</u>
Pre-Crimped Lead Micro-Fit 3.0 Female-to-Micro-Fit 3.0 Female, Gold (Au) Plating, 300.00mm Length, 20 AWG, Black	<u>/content/molex/molex-dot-com/cn/zh/products/product-page.html/797580012.html</u>
Micro-Fit 3.0 Female Crimp Terminals	<u>43030</u>

Micro-Fit 3.0 Female Crimp Terminals with Lubricant	<u>45773</u>
Micro-Fit Reduced Mating Force Female Crimp Terminals	<u>46235</u>
Pre-Crimped Lead Micro-Fit 3.0 Female-to-Micro-Fit 3.0 Female	<u>214760</u>
Pre-Crimped Lead Micro-Fit 3.0 Female-to-Pigtail	<u>214761</u>

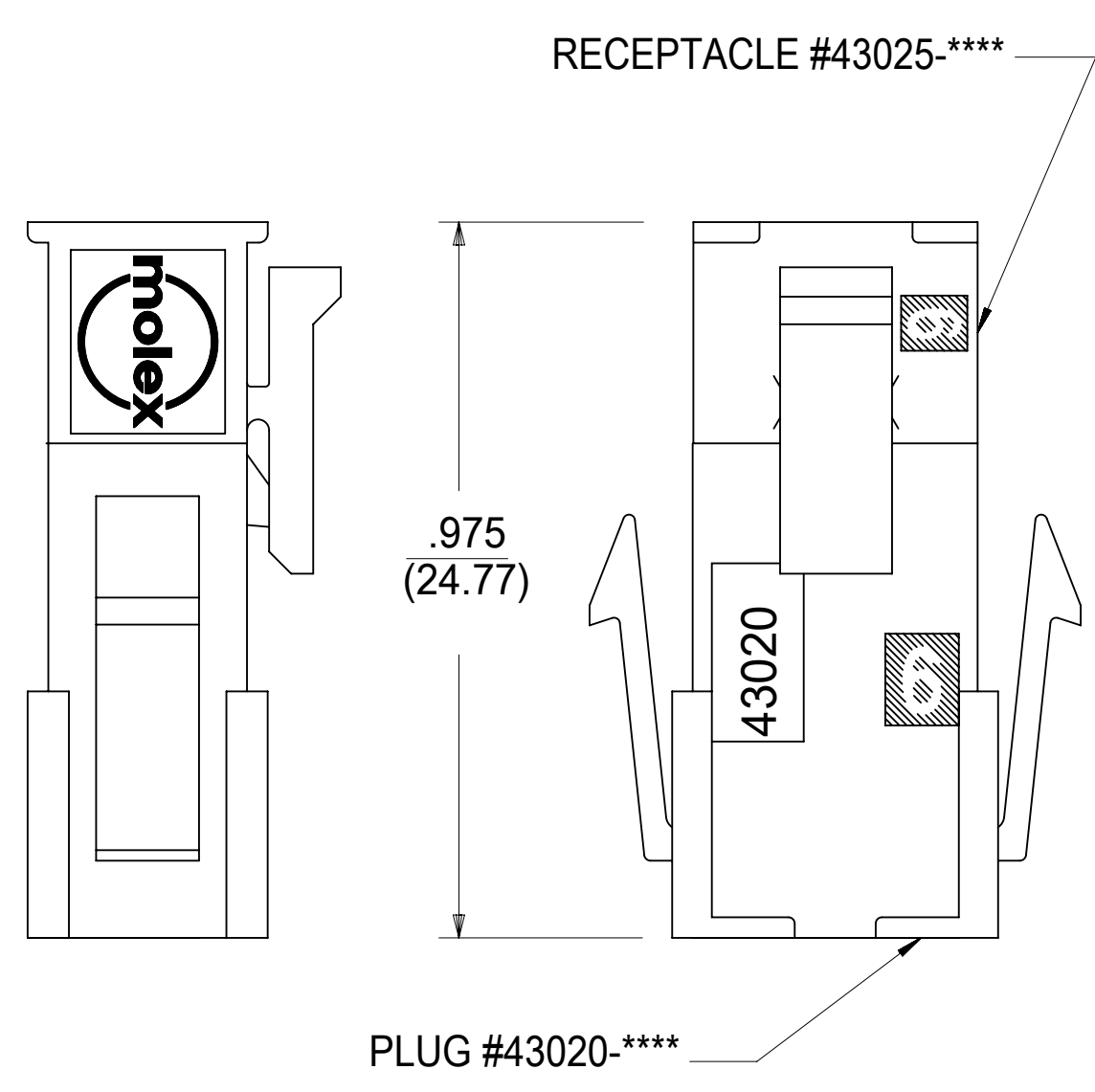
This document was generated on Mar 25, 2024

PART CHARACTERISTICS		
NUMBER OF POSITION	ASSEMBLY ITEM NUMBER	MATERIAL
02	43025-0200	"B"
04	43025-0400	
06	43025-0600	
08	43025-0800	
10	43025-1000	
12	43025-1200	
14	43025-1400	"B"
16	43025-1600	"A"
18	43025-1800	"B"
20	43025-2000	
22	43025-2200	
24	43025-2400	"A"

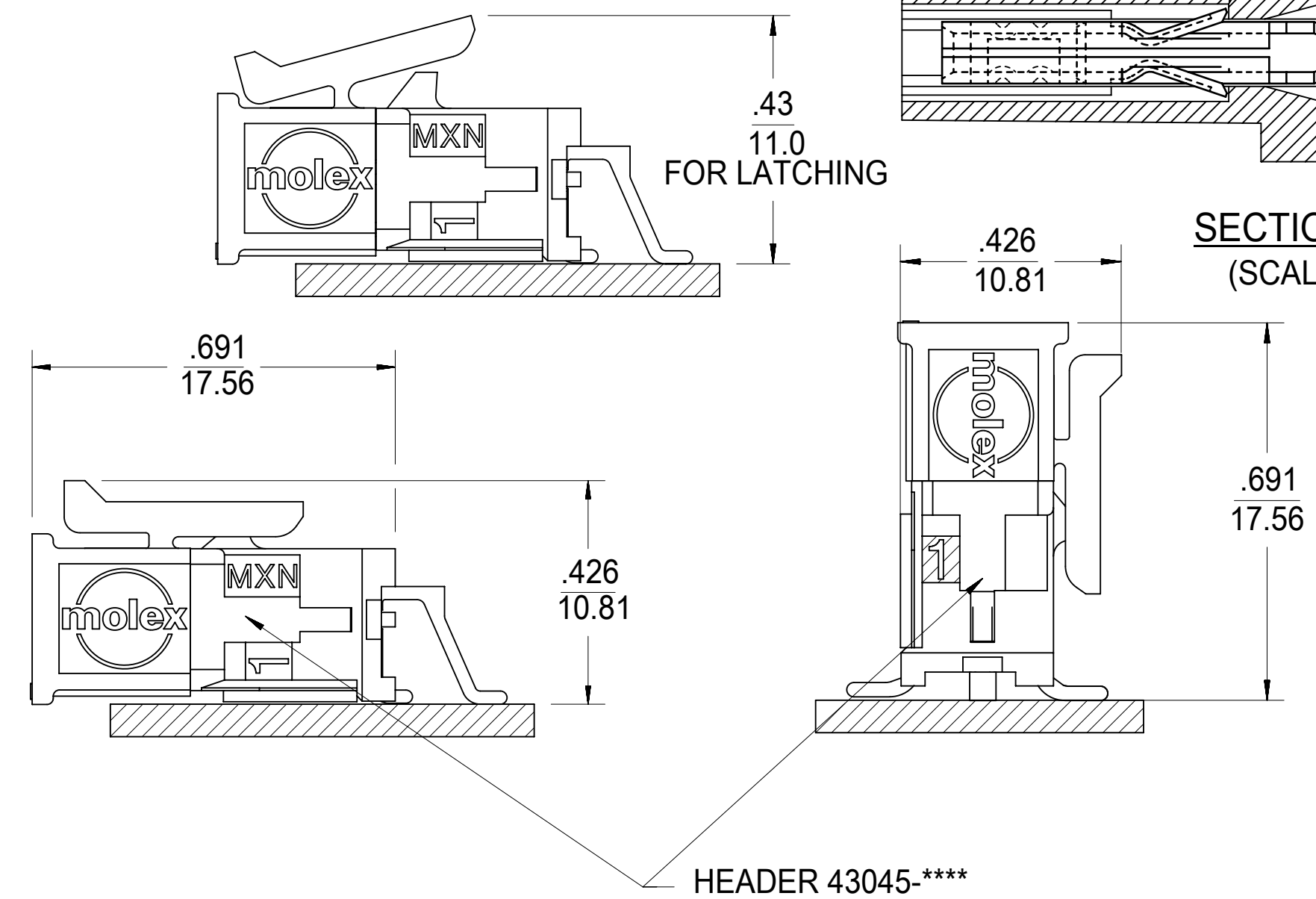
CKT. NO.	DIM. "A" +0.014 -0.010 +0.35 -0.25	DIM. "B"
2	.152/(3.86)	N/A
4	.270/(6.85)	.118/(3.00)
6	.388/(9.85)	.236/(6.00)
8	.506/(12.85)	.354/(9.00)
10	.624/(15.85)	.472/(12.00)
12	.742/(18.85)	.591/(15.00)
14	.860/(21.85)	.709/(18.00)
16	.978/(24.85)	.827/(21.00)
18	1.096/(27.85)	.945/(24.00)
20	1.215/(30.85)	1.063/(27.00)
22	1.333/(33.85)	1.181/(30.00)
24	1.451/(36.85)	1.299/(33.00)

NOTES:

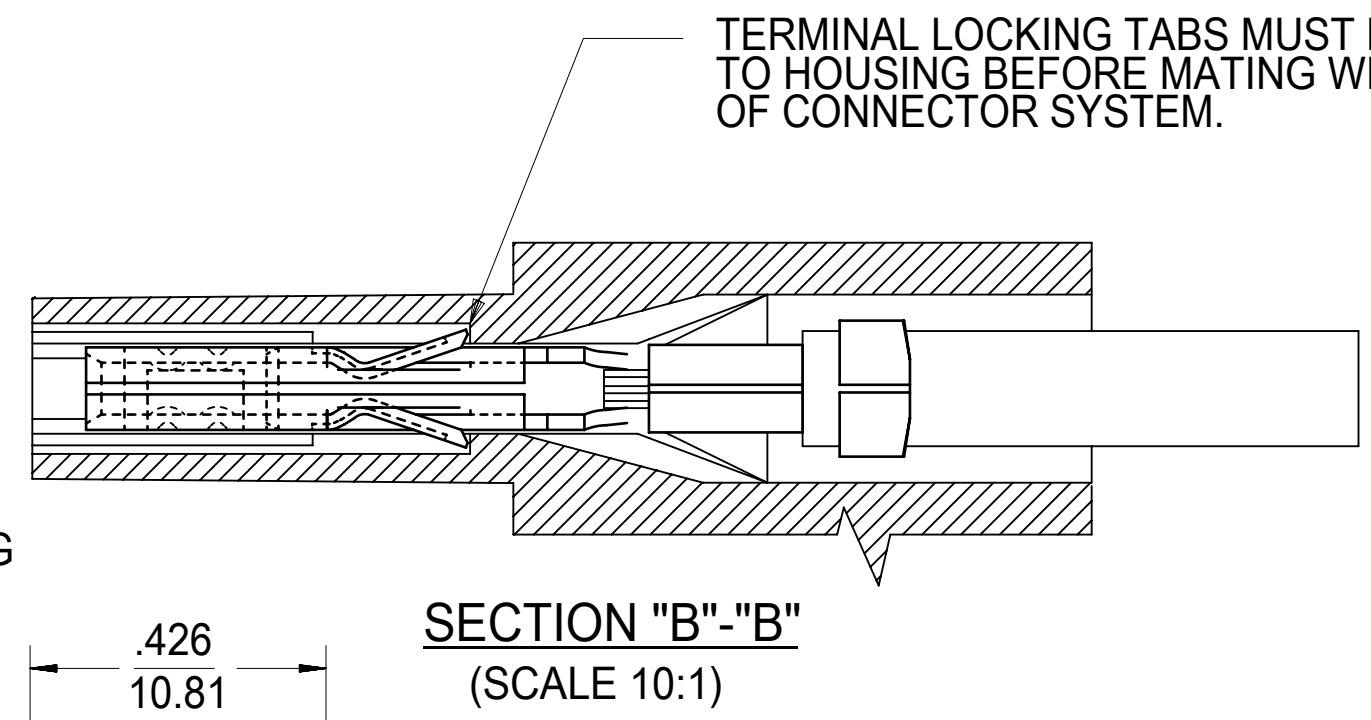
- HOUSING MATERIAL:
"A" - UNFILLED POLYESTER, RATED U.L. 94V-0, COLOR IS BLACK.
"B" - UNFILLED NYLON, RATED U.L. 94V-0, LOW HALOGEN, COLOR IS BLACK.
- FINISH: N/A
- PRODUCT SPECIFICATION: PS-43045
- PACKAGING SPECIFICATION: PK-43025-001
- THIS RECEPTACLE MATES WITH 43020, 43045.
- THIS RECEPTACLE TO BE USED WITH MOLEX FEMALE TERMINAL SERIES 43030 OR 46235. SEE SECTION "A"-A" FOR TERMINAL ORIENTATION IN HOUSING.
- FOR OVERMOLDING PARAMETERS SEE APPLICATION SPECIFICATION 430250000-AS.
- TOP PULL TABS ARE NOT AVAILABLE ON 2 AND 4 CIRCUIT PARTS.
- MOLEX RECOMMENDS THE USE OF MICRO-FIT TEST PLUG, SERIES NO. 44242-**** WHENEVER TESTING IS PERFORMED. TEST PLUGS MUST NOT BE USED FOR MAKE OR BREAK UNDER LOAD. MOLEX DOES NOT RECOMMEND USING STANDARD MATING COMPONENTS FOR HARNESS TESTING PURPOSES.
- SOME HOUSINGS MAY HAVE A SMALL GATE BLEMISH NEAR THE GATE THAT DOES NOT AFFECT FUNCTIONALITY.
- HOUSINGS HAVE EITHER AN IDENTIFIER RIB OR ENGRAVED "1" SYMBOL TO INDICATE CIRCUIT #1. IDENTIFIER TYPE IS TOOL DEPENDENT AND NOT SELECTABLE.
- DIMENSION 'A' MEASURED AT DATUM \bar{A} .
- THIS PART CONFORMS TO CLASS 'B' REQUIREMENTS OF COSMETIC SPECIFICATION PS-45499-002.
- TEXT ON PART IS FOR REFERENCE ONLY. TEXT AND TEXT LOCATION MAY VARY DEPENDING ON PART NUMBER AND/OR TOOL.



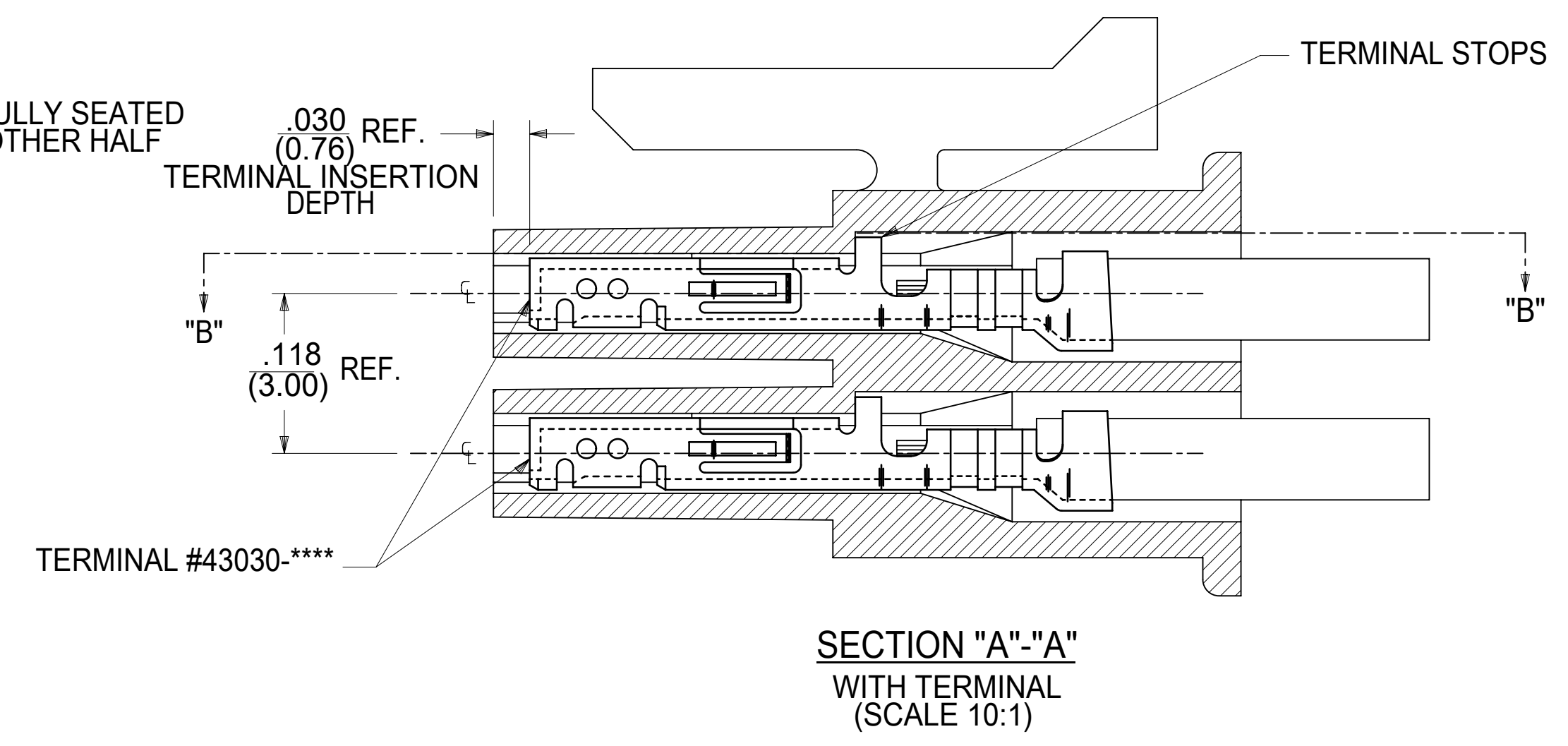
MATED MICRO-FIT CONNECTOR



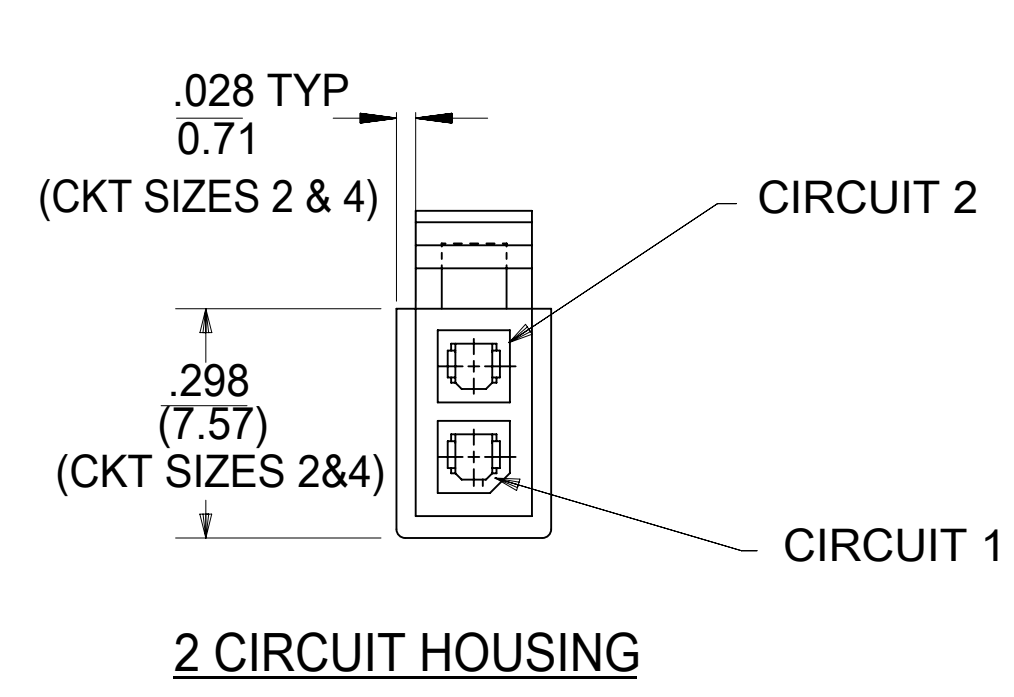
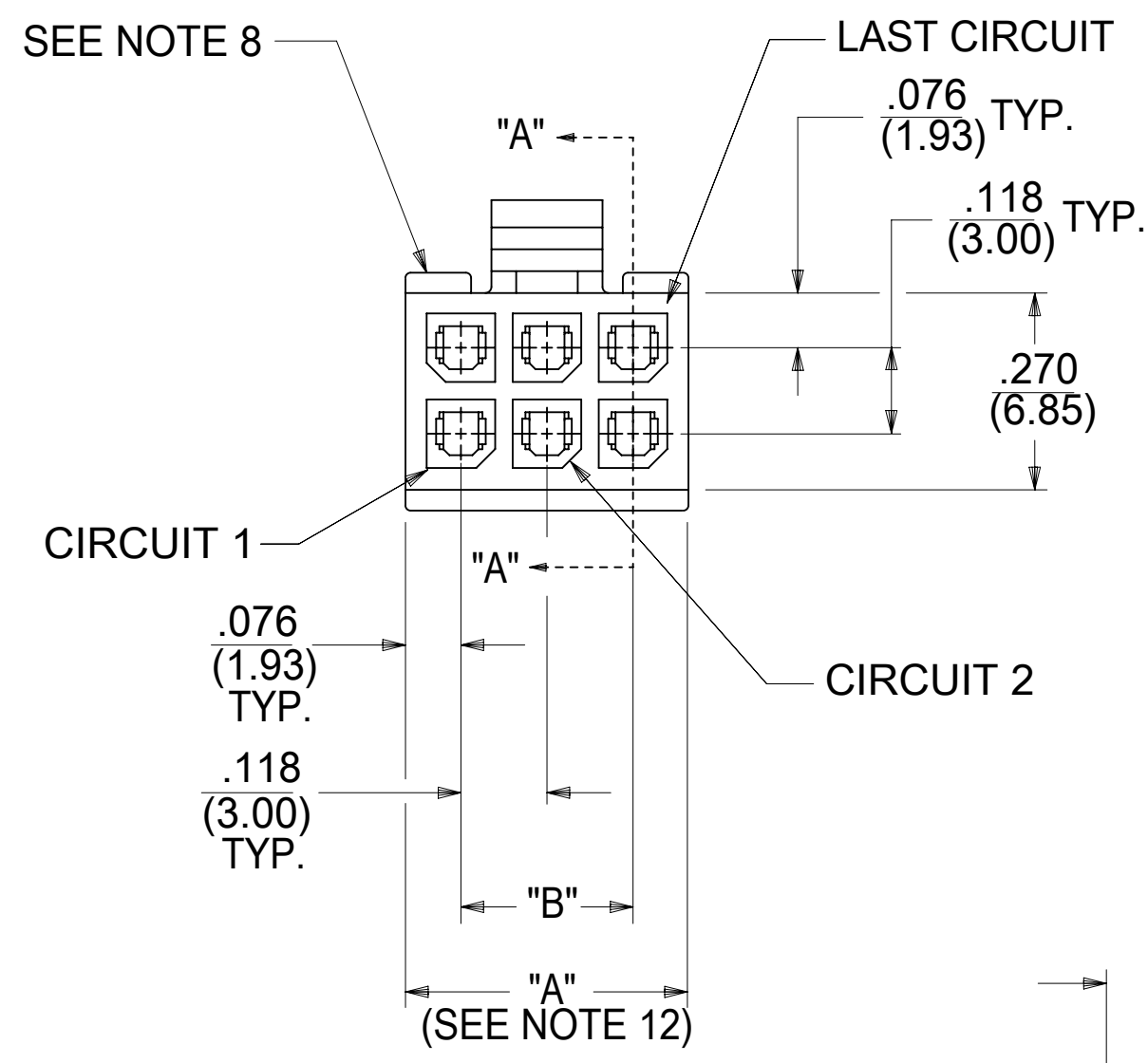
HEADER 43045-****



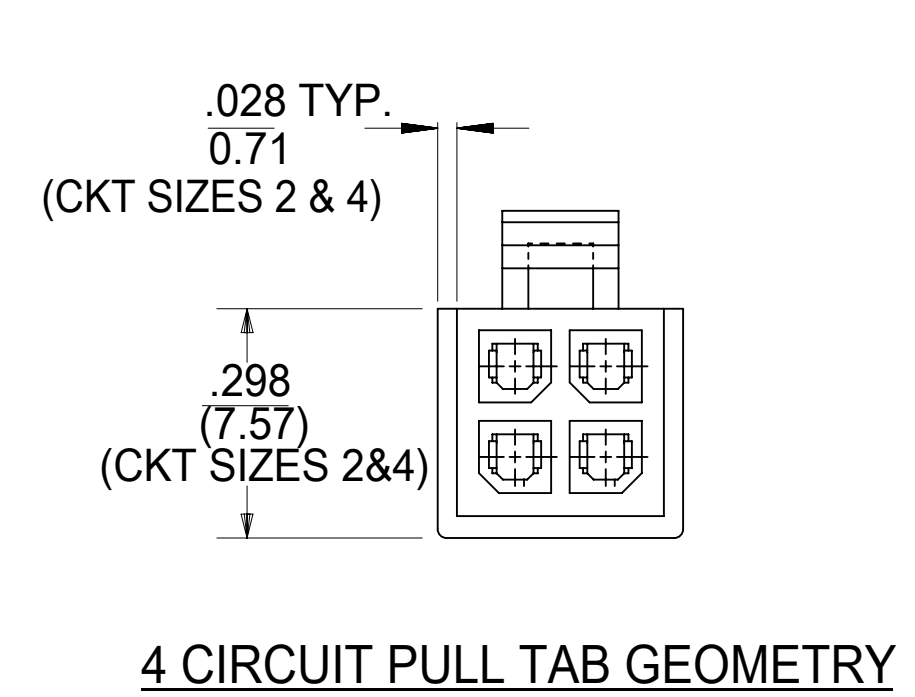
**SECTION "B"-"B"
(SCALE 10:1)**



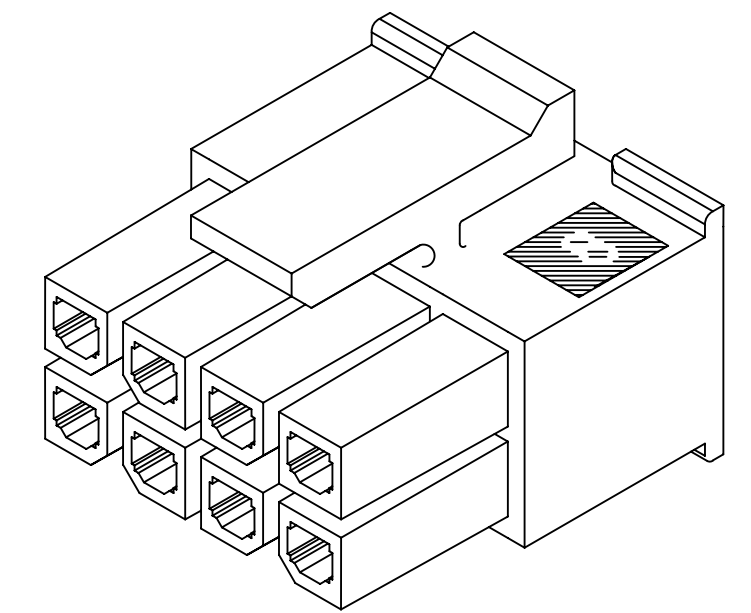
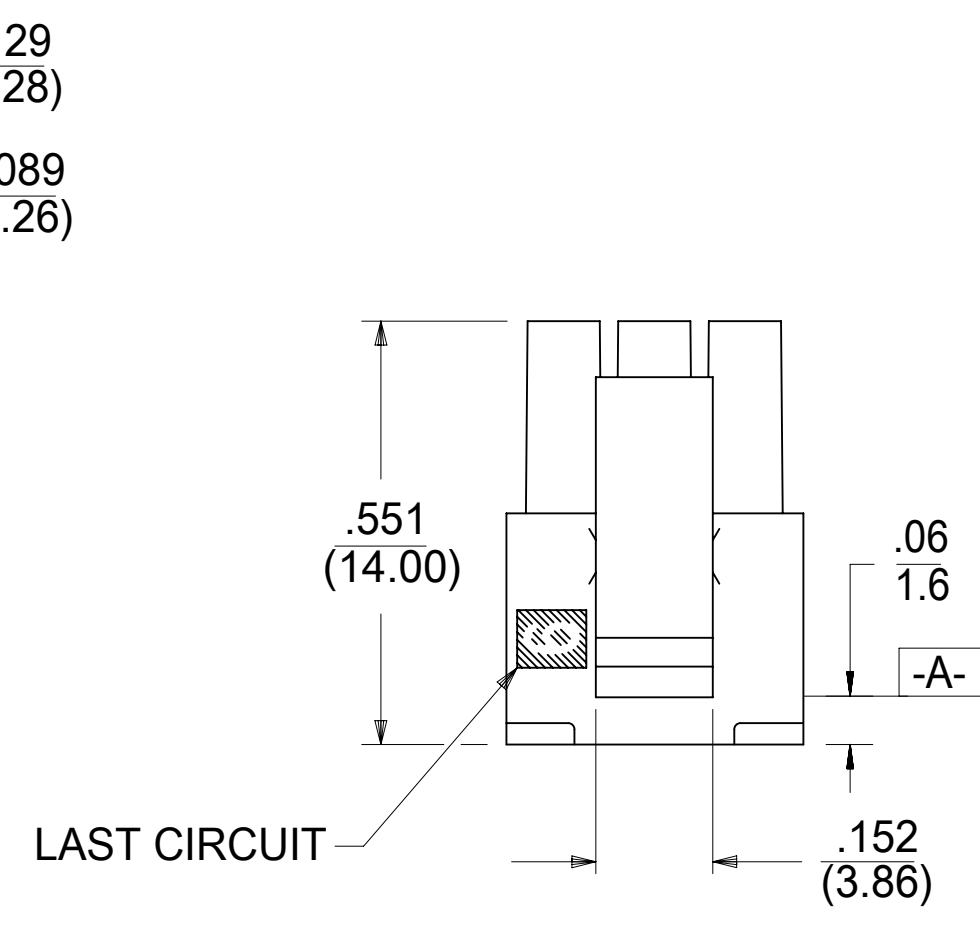
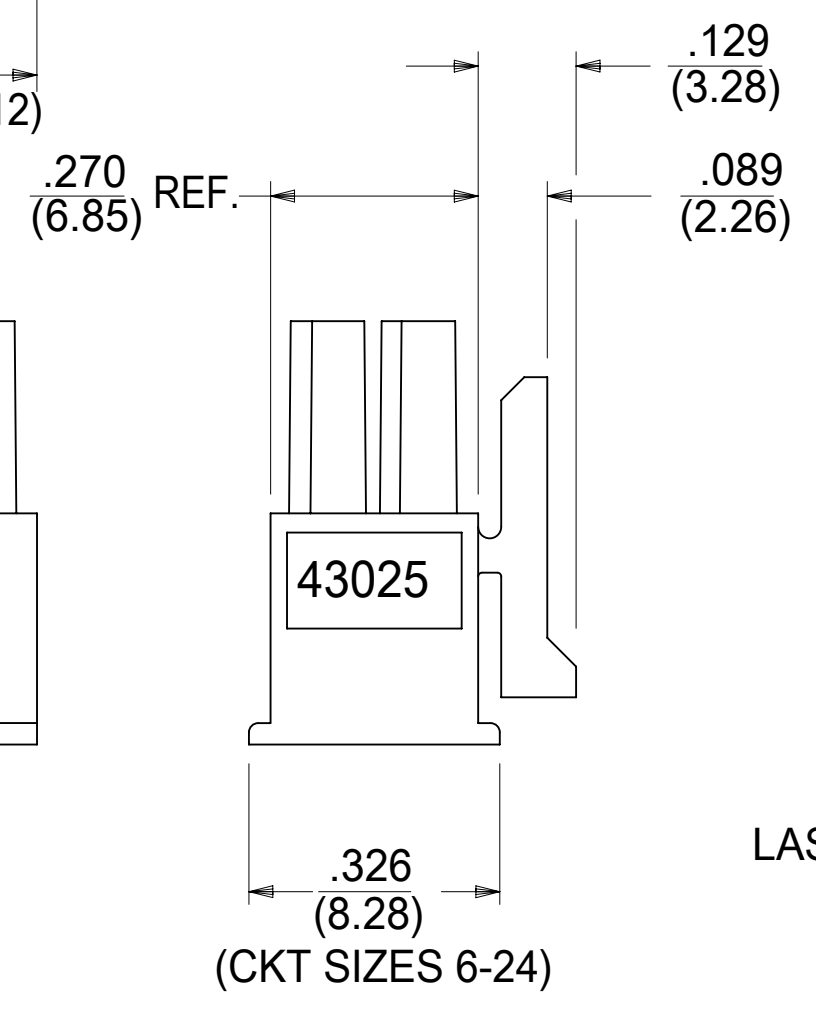
**SECTION "A"-"A"
WITH TERMINAL
(SCALE 10:1)**



2 CIRCUIT HOUSING



4 CIRCUIT PULL TAB GEOMETRY



**RECEPTACLE
ISO VIEW
(8 CIRCUIT SHOWN)
(SEE NOTE 9 FOR TESTING)**

SYMBOLS		THIS DRAWING CONTAINS INFORMATION THAT IS PROPRIETARY TO MOLEX ELECTRONIC TECHNOLOGIES, LLC AND SHOULD NOT BE USED WITHOUT WRITTEN PERMISSION		CURRENT REV DESC: INITIAL RELEASE	
▽ = 0	IN/MM	SCALE	NTS	MOLEX	
▽ = 0	GENERAL TOLERANCES (UNLESS SPECIFIED)		MICRO-FIT (3.0) 2-24 CIRCUIT RECEPTACLE		
▽ = 0		MM	INCH	PRODUCT CUSTOMER DRAWING	
▽ = 0	4 PLACES ±	±	±	EC NO: 168740	2018/03/06
▽ = 0	3 PLACES ±	± 0.01	±	DRWN: AZAHIROVIC	2018/06/01
▽ = 0	2 PLACES ±	± 0.25	± 0.014	CHK'D: SSOUSEK	2018/06/01
▽ = 0	1 PLACE ±	± 0.35	±	APPR: FSMITH	2018/06/01
▽ = 0	0 PLACES ±	±	±	INITIAL REVISION:	
▽ = 0	ANGULAR TOL ± 0.5°		±	DRWN: A.F.G.	1993/01/14
▽ = 0	DRAFT WHERE APPLICABLE MUST REMAIN WITHIN DIMENSIONS		THIRD ANGLE PROJECTION	APPR: FSMITH	2016/05/02
▽ = 0	D-DRAWING		SERIES	DOCUMENT NUMBER	
	D-SIZE		43025	430250000-SD	
	DRAWING		MATERIAL NUMBER	CUSTOMER	SHEET NUMBER
	D-SIZE		43025	SEE TABLE	1 OF 1

DOCUMENT STATUS	P1	RELEASE DATE	2018/06/01	21:26:12
-----------------	----	--------------	------------	----------

THIS DRAWING REPLACES DRAWING SDA-43025-****